



US00D884471S

(12) **United States Design Patent**
Friedman

(10) **Patent No.:** **US D884,471 S**

(45) **Date of Patent:** **** May 19, 2020**

- (54) **JAR LID**
- (71) Applicant: **Robert Friedman**, Irvine, CA (US)
- (72) Inventor: **Robert Friedman**, Irvine, CA (US)
- (**) Term: **15 Years**
- (21) Appl. No.: **29/691,463**
- (22) Filed: **May 16, 2019**

Related U.S. Application Data

- (62) Division of application No. 29/585,890, filed on Nov. 29, 2016.
- (51) **LOC (12) Cl.** **09-07**
- (52) **U.S. Cl.**
USPC **D9/443**
- (58) **Field of Classification Search**
USPC D9/414, 415, 424, 425, 434, 435, 436, D9/443, 444-452, 454-456, 499, 529, D9/682, 685, 686; D7/387, 391, 392, D7/392.1, 396.1, 396.2, 396.3, 396.4, D7/397, 398, 401.1, 507, 509-511, 538, D7/900; D3/202, 203.2; D28/91, 91.1
CPC .. A61J 1/00; A61J 1/1412; B65D 1/00; B65D 1/02; B65D 1/10; B65D 1/46; B65D 2585/56; B65D 2585/545; B65D 41/00; B65D 41/38; B65D 41/56; B65D 41/62; B65D 47/00; B65D 47/06; B65D 47/08; B65D 2543/00046; B65D 2543/00092; B65D 2543/00296; B65D 5/46; B65D 2251/00
See application file for complete search history.

(56) **References Cited**

U.S. PATENT DOCUMENTS

- 1,665,602 A * 4/1928 Netherland B65D 41/0442
215/302
- 3,567,058 A * 3/1971 Mascia B65D 50/061
215/213

- D276,598 S * 12/1984 Bagwell D9/443
- 4,569,456 A * 2/1986 Weiler B65D 41/58
215/251
- D351,793 S * 10/1994 Stoller D9/443
- D371,485 S * 7/1996 Hickey D7/391
- D387,552 S * 12/1997 Hayman D3/203.2
- 5,941,404 A * 8/1999 Charrette B65D 41/04
215/305
- 6,253,942 B1 * 7/2001 Elias B65D 41/0485
215/305
- D472,145 S * 3/2003 Nottingham D9/443
- D480,973 S * 10/2003 Nottingham D9/531
- D482,974 S * 12/2003 Nottingham D9/531

(Continued)

Primary Examiner — Michael A. Pratt
Assistant Examiner — Wendy L Arminio
 (74) *Attorney, Agent, or Firm* — Fish IP Law, LLP

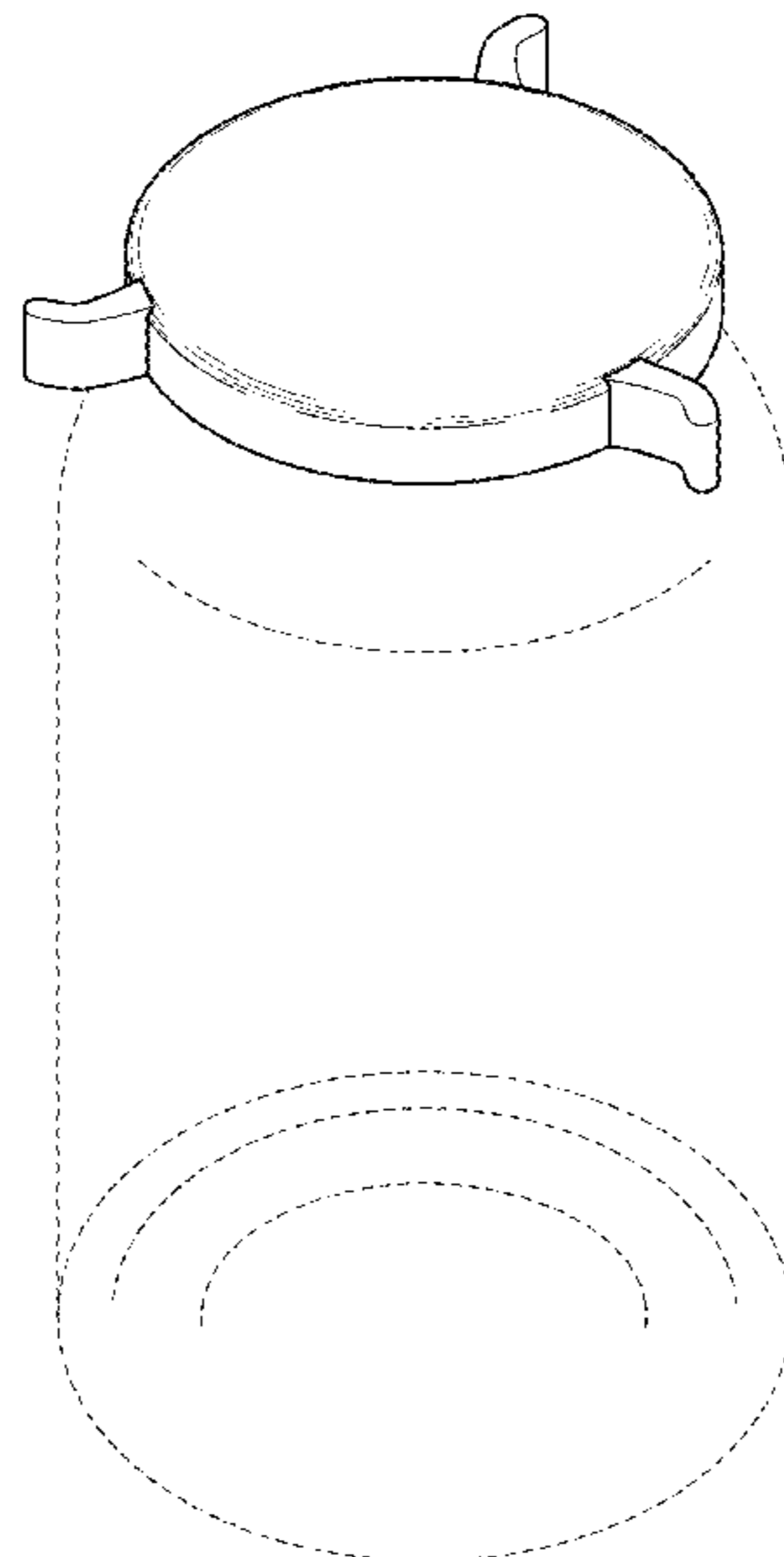
(57) **CLAIM**

The ornamental design for a jar lid, as shown and described.

DESCRIPTION

FIG. 1 is a perspective view of a first embodiment of a jar lid, shown in a position of use on a jar drawn in broken lines. FIG. 2 is a top view of the jar lid of FIG. 1, shown removed from the jar. FIG. 3 is a side view thereof. FIG. 4 is a front view thereof. FIG. 5 is a perspective view of a second embodiment of the jar lid, shown in a position of use on a jar drawn in broken lines. FIG. 6 is a top view of the jar lid of FIG. 5, shown removed from the jar. FIG. 7 is a side view thereof; and, FIG. 8 is a front view thereof. The broken lines depict environment and form no part of the claimed design.

1 Claim, 2 Drawing Sheets



(56)

References Cited

U.S. PATENT DOCUMENTS

D482,975	S	*	12/2003	Nottingham	D9/532
D511,100	S	*	11/2005	Nottingham	D9/528
D551,971	S	*	10/2007	Hardwick	D3/294
D594,750	S	*	6/2009	Westphal	D9/443
D616,748	S	*	6/2010	Nakamura	D9/443
D621,705	S	*	8/2010	Breckan	D9/443
D621,706	S	*	8/2010	Breckan	D9/443
D621,707	S	*	8/2010	Breckan	D9/443
D623,533	S	*	9/2010	Nakamura	D9/443
D695,511	S	*	12/2013	Sharpe	D3/203.2
D715,147	S	*	10/2014	Ginzburg	D9/449
D727,726	S	*	4/2015	Friedman	D9/443
D739,204	S	*	9/2015	Arthurs	D8/307
D741,712	S	*	10/2015	Mohr	D9/448
D751,384	S	*	3/2016	Torrison	D9/416
D756,774	S	*	5/2016	McWilliams	D9/443
D777,342	S	*	1/2017	Piramoan	D24/224
D779,324	S	*	2/2017	Martini	D9/443
D784,132	S	*	4/2017	Johnson	D9/434
9,650,179	B2	*	5/2017	Sheikh	B65D 33/16
D829,098	S	*	9/2018	Gallagher	D9/443

* cited by examiner

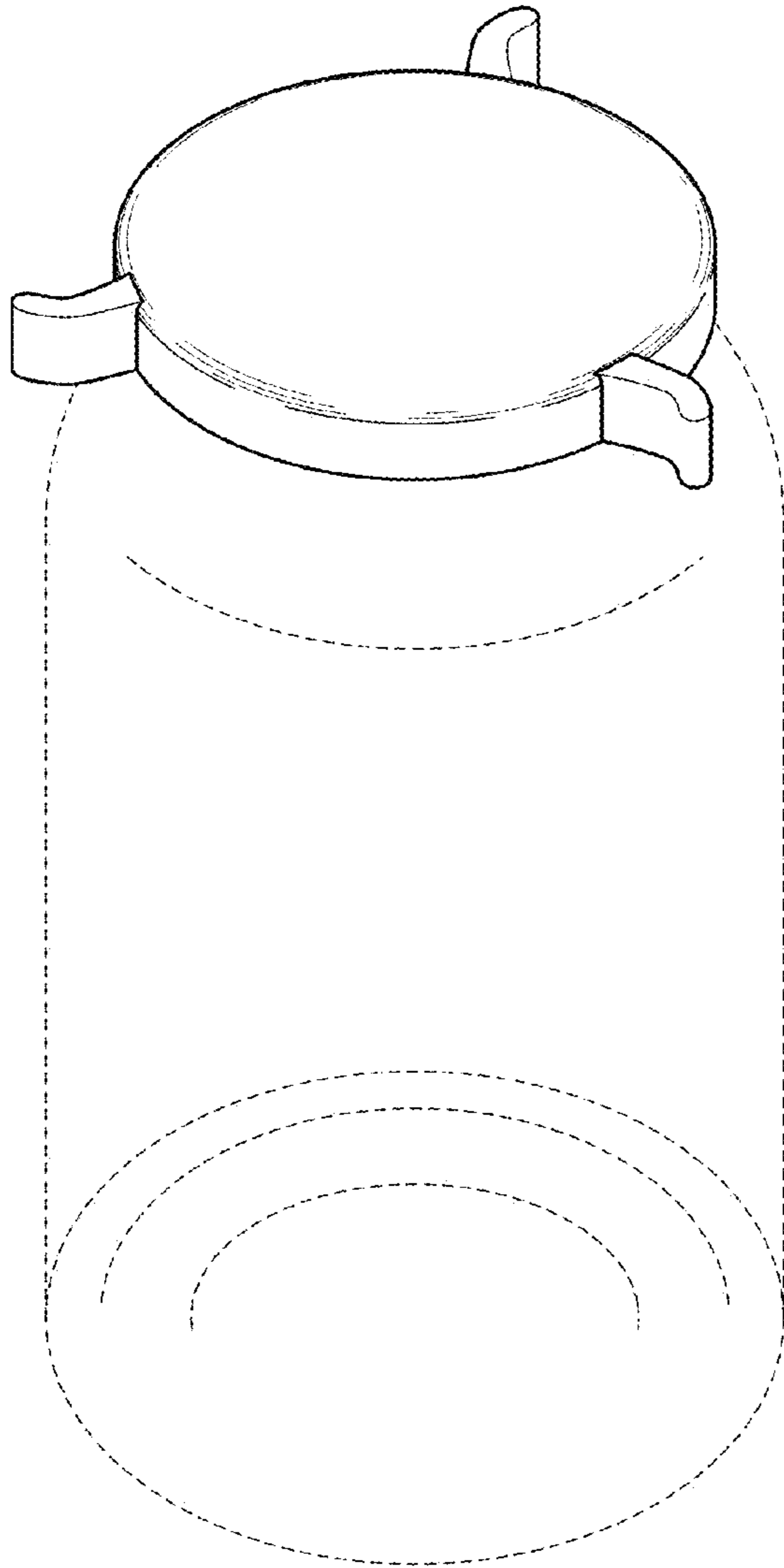


FIG. 1

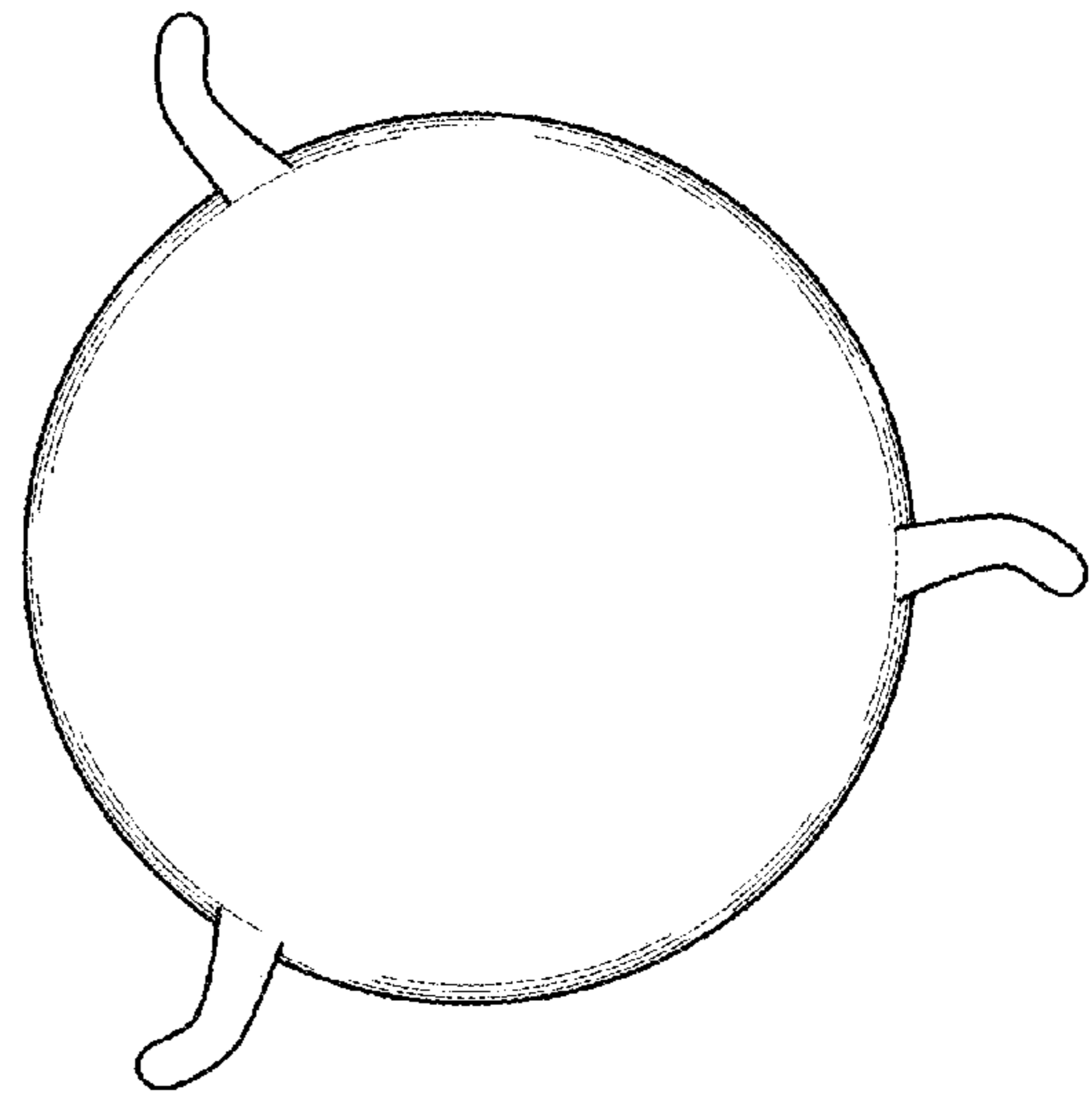


FIG. 2

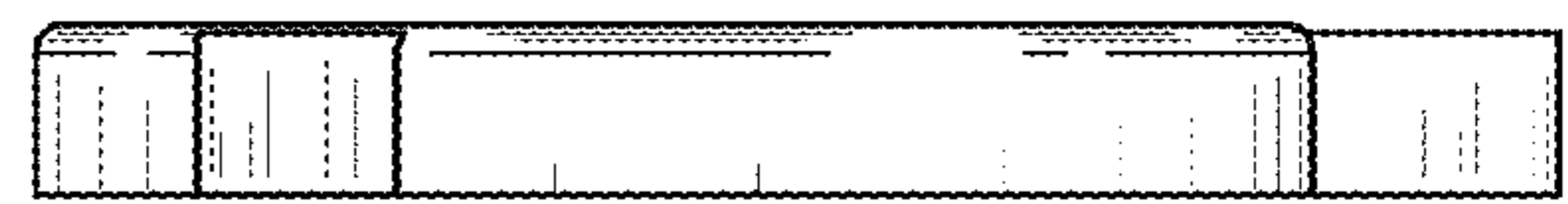


FIG. 3



FIG. 4

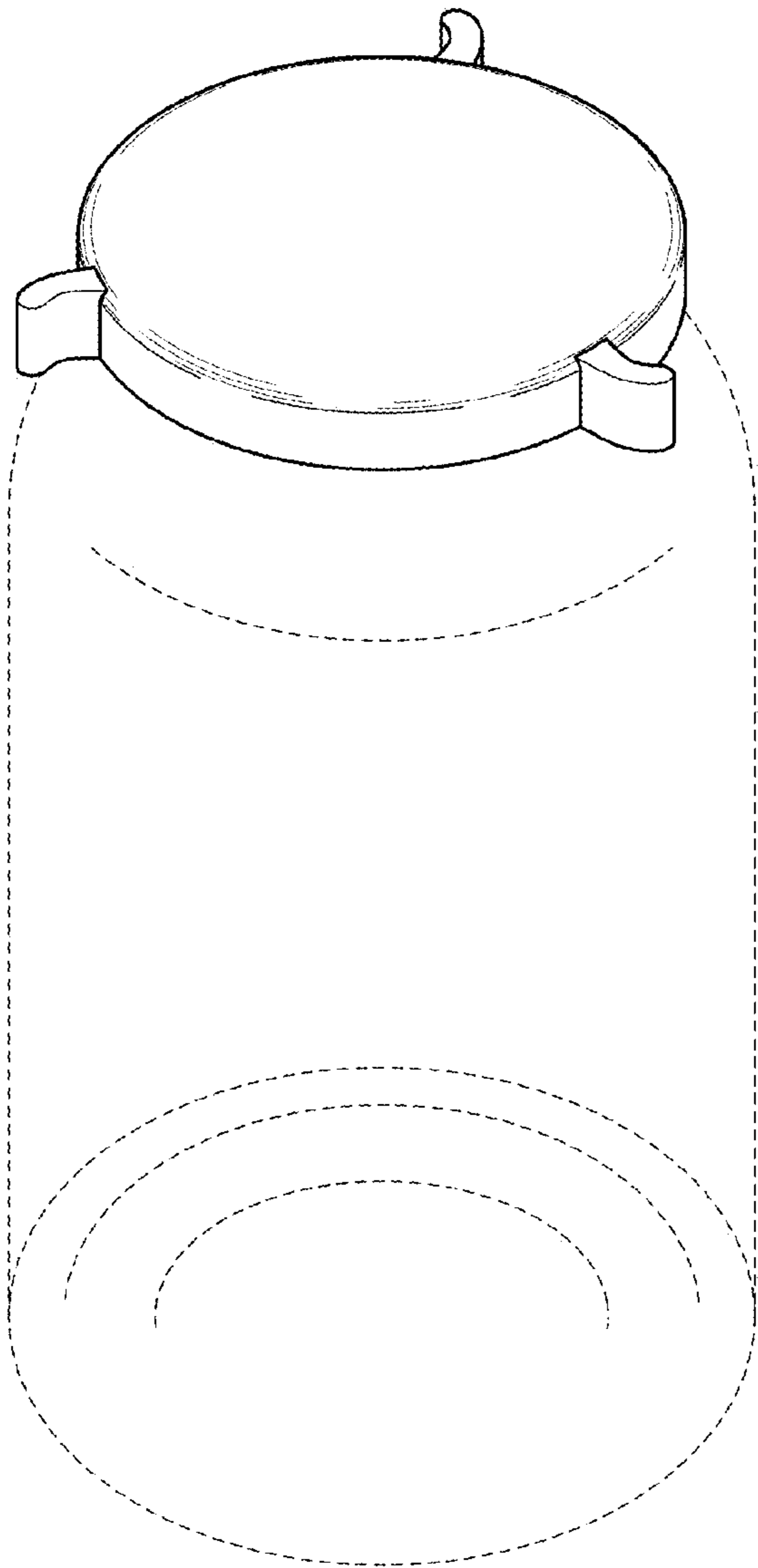


FIG. 5

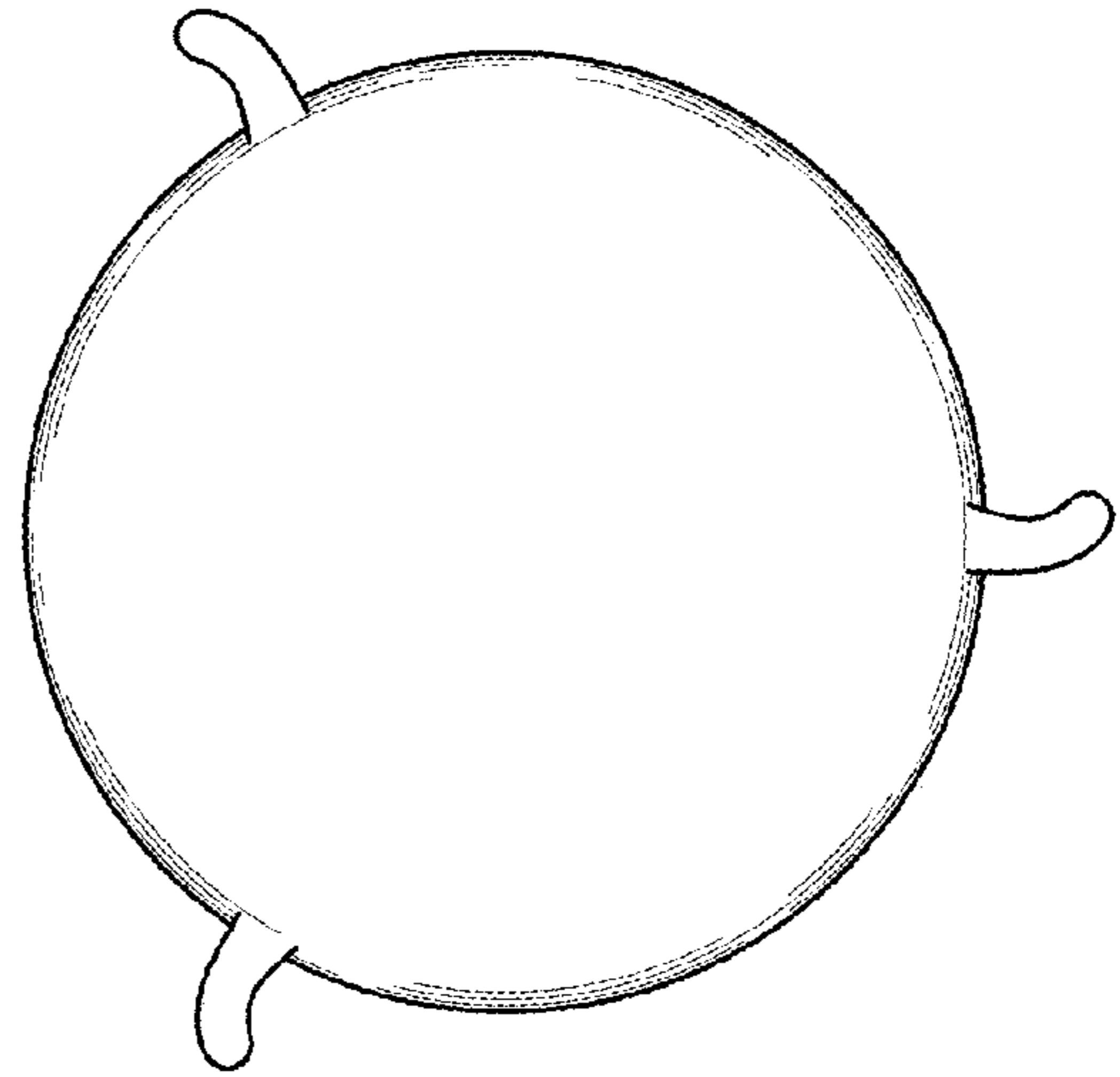


FIG. 6

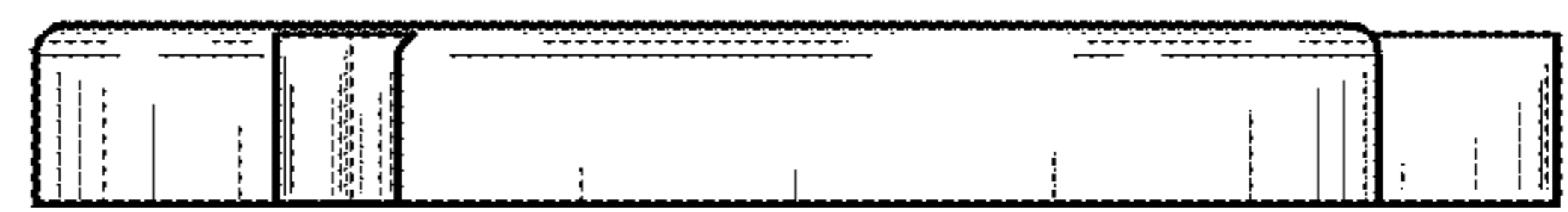


FIG. 7

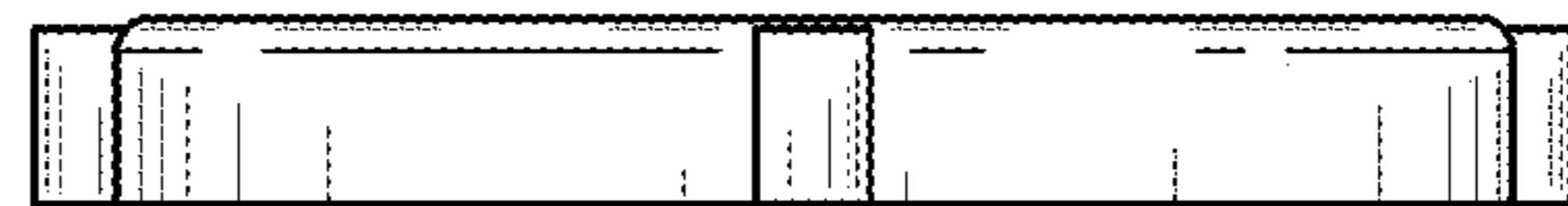


FIG. 8