



US00D884468S

(12) **United States Design Patent** (10) **Patent No.:** **US D884,468 S**
Jung (45) **Date of Patent:** **** May 19, 2020**

(54) **CONTAINER FOR PACKING COSMETICS**
(71) Applicant: **YONWOO CO., LTD.**, Incheon (KR)
(72) Inventor: **Seo-Hui Jung**, Incheon (KR)
(73) Assignee: **YONWOO CO., LTD.**, Incheon (KR)
(**) Term: **15 Years**

D618,561 S * 6/2010 Lee D9/726
D631,193 S * 1/2011 Limongi D28/7
D708,783 S * 7/2014 Kim D28/7
D784,163 S * 4/2017 McCormack D9/729
D826,729 S * 8/2018 Kim D9/697
D830,566 S * 10/2018 Bookhamer D24/211
D841,889 S * 2/2019 Nicoline D28/76
D842,126 S * 3/2019 Breidenbach D9/726
D849,555 S * 5/2019 Jung D9/723

* cited by examiner

(21) Appl. No.: **29/639,145**
(22) Filed: **Mar. 5, 2018**

Primary Examiner — Wan Laymon
Assistant Examiner — Clint A Samuel
(74) *Attorney, Agent, or Firm* — Marshall, Gerstein & Borun LLP

(30) **Foreign Application Priority Data**

Sep. 5, 2017 (KR) 30-2017-0041468

(51) **LOC (12) Cl.** **09-03**
(52) **U.S. Cl.**
USPC **D9/418**

(57) **CLAIM**

The ornamental design for a container for packing cosmetics, as shown and described.

(58) **Field of Classification Search**
USPC D9/414, 435, 442, 445, 545, 549, 564,
D9/695, 697, 723, 726, 729; D28/4, 7,
D28/76
CPC A45D 34/00; A45D 34/04; A45D 34/041;
A45D 33/12; A45D 40/00; B65D 83/00
See application file for complete search history.

DESCRIPTION

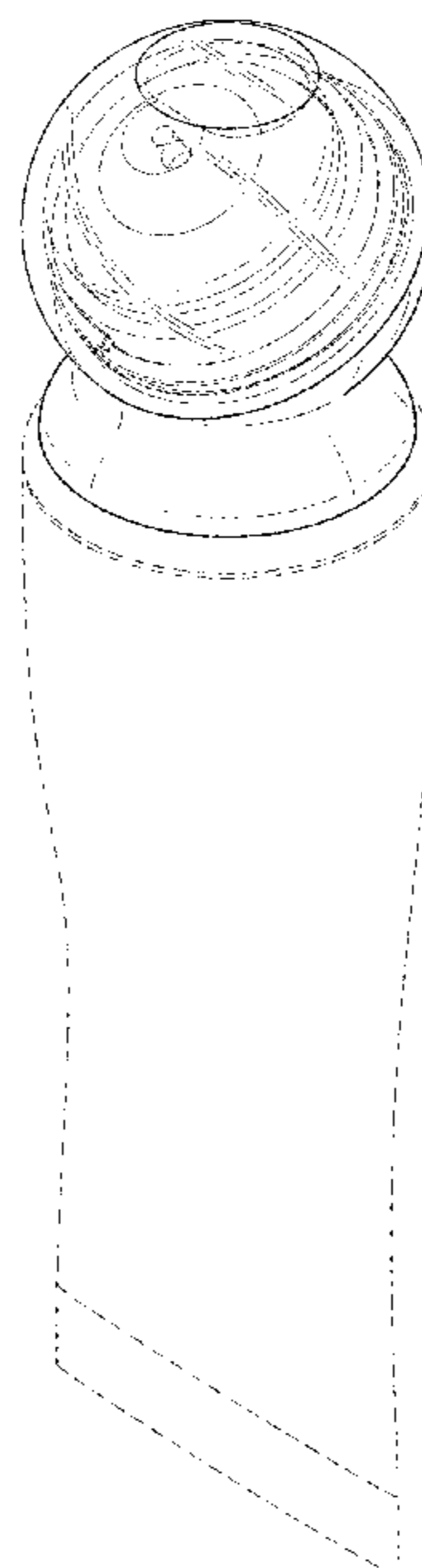
FIG. 1 is a front, top, and right-side orthographic view of a container for packing cosmetics showing the new design. FIG. 2 is a front elevation view. FIG. 3 is a rear elevation view. FIG. 4 is a right side elevation view. FIG. 5 is a left side elevation view. FIG. 6 is an enlarged top plan view. FIG. 7 is an enlarged bottom plan view; and, FIG. 8 is another front, top, and right-side orthographic view, illustrated with the over cap removed. The over cap and applicator are transparent or translucent, permitting the interior structure to be visible. The broken lines in the drawings represent portions of the container for packing cosmetics that form no part of the claimed design.

(56) **References Cited**

U.S. PATENT DOCUMENTS

D240,711 S * 7/1976 Angleman D9/726
D243,585 S * 3/1977 Angleman D9/726
D248,214 S * 6/1978 DiNuccio D9/526
D304,495 S * 11/1989 Tyo D24/211
D307,191 S * 4/1990 Blutenthal D28/7
D459,216 S * 6/2002 Heijdenrijk D9/726
D484,794 S * 1/2004 Geardino D9/726
D515,938 S * 2/2006 Shurtleff D9/529
D595,537 S * 7/2009 Mansfield 206/219

1 Claim, 8 Drawing Sheets



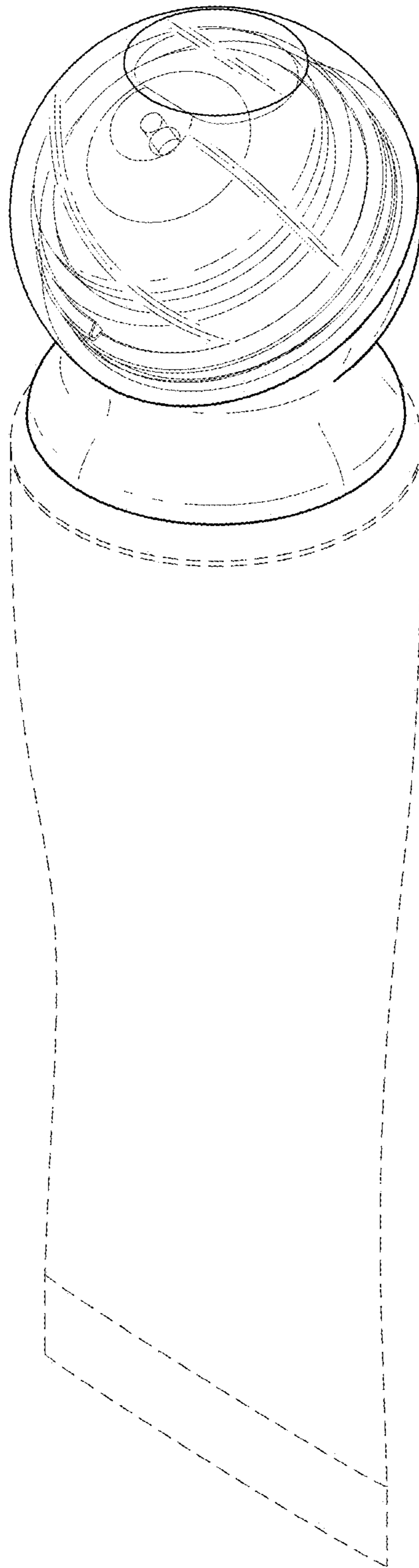


FIG. 1

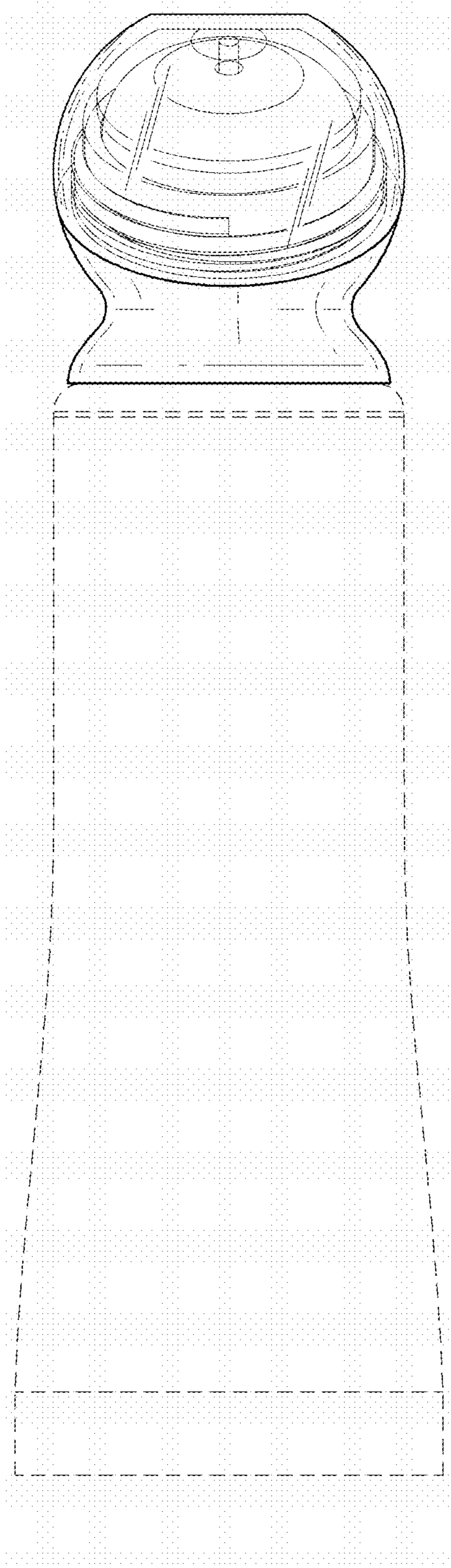


FIG. 2

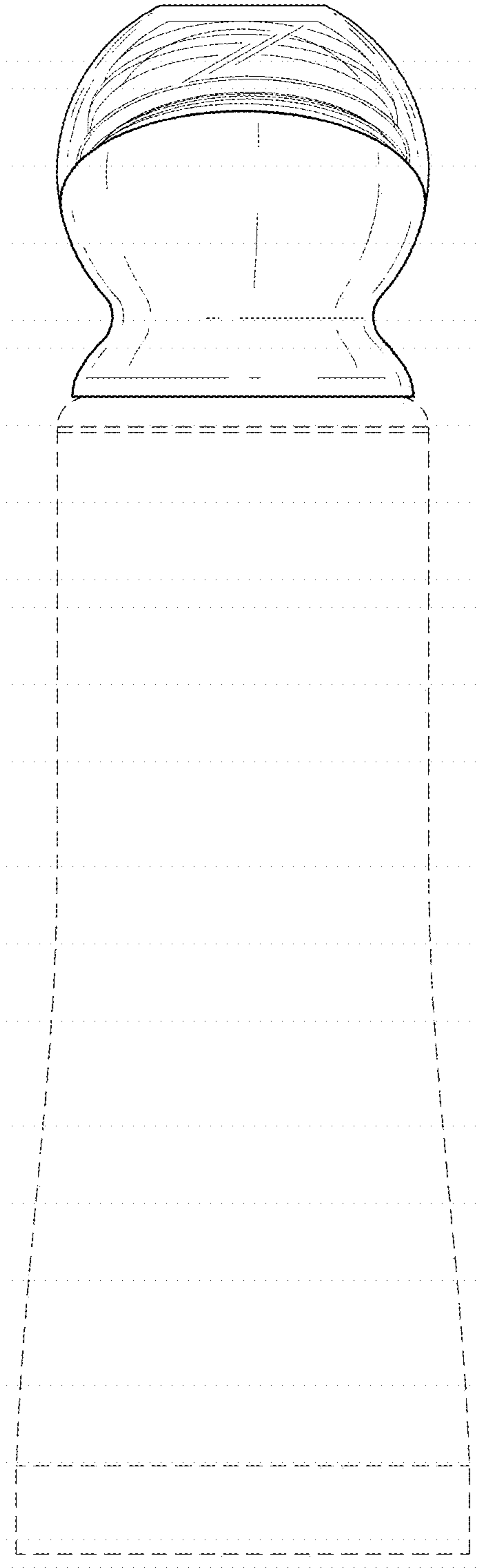


FIG. 3

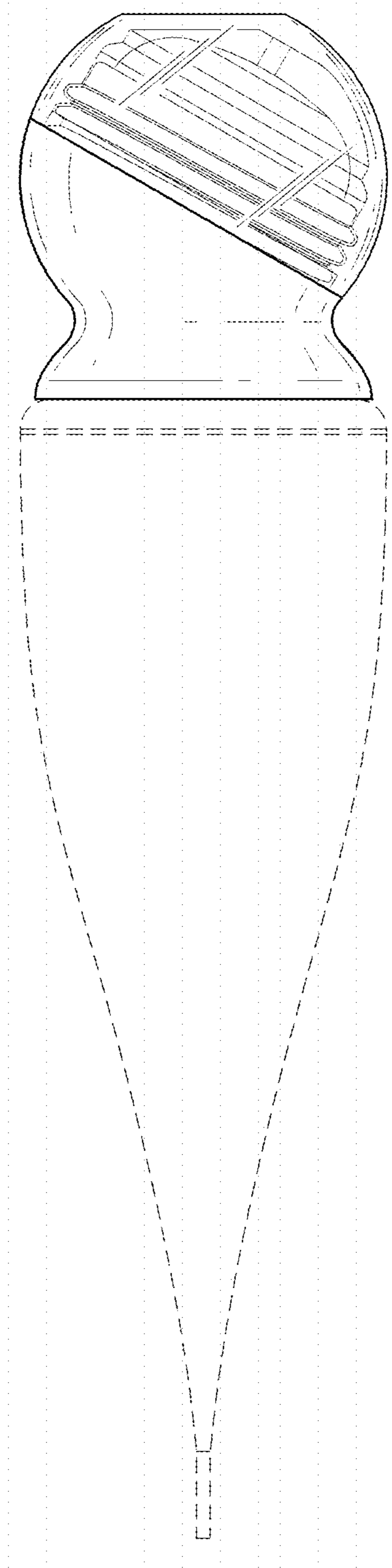


FIG. 4

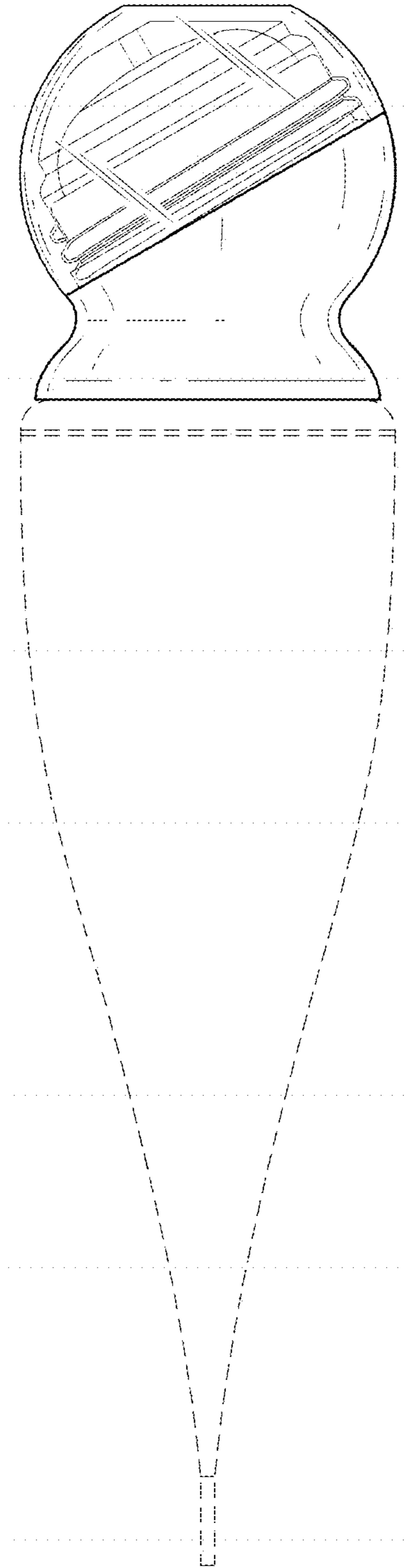


FIG. 5

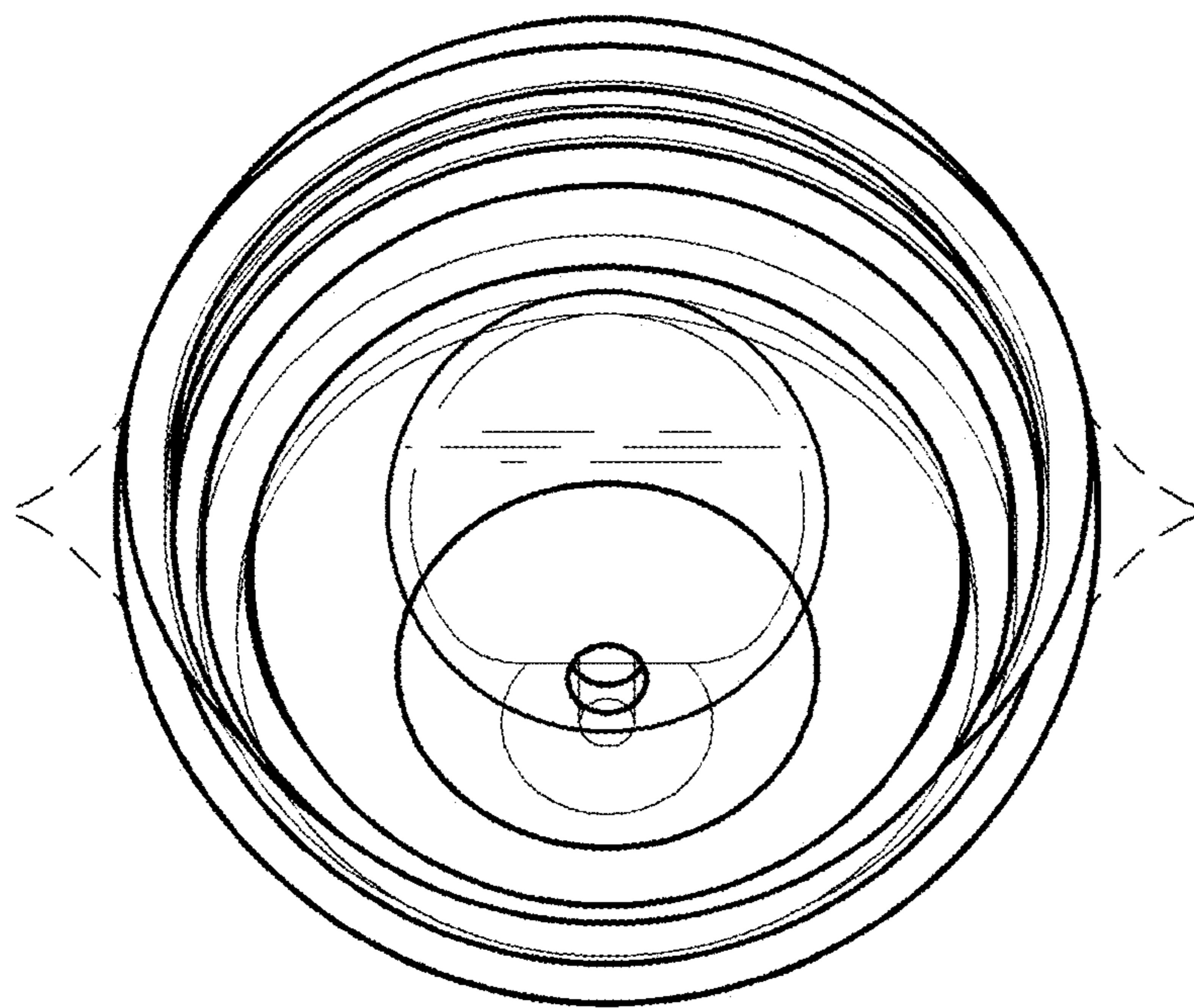


FIG. 6

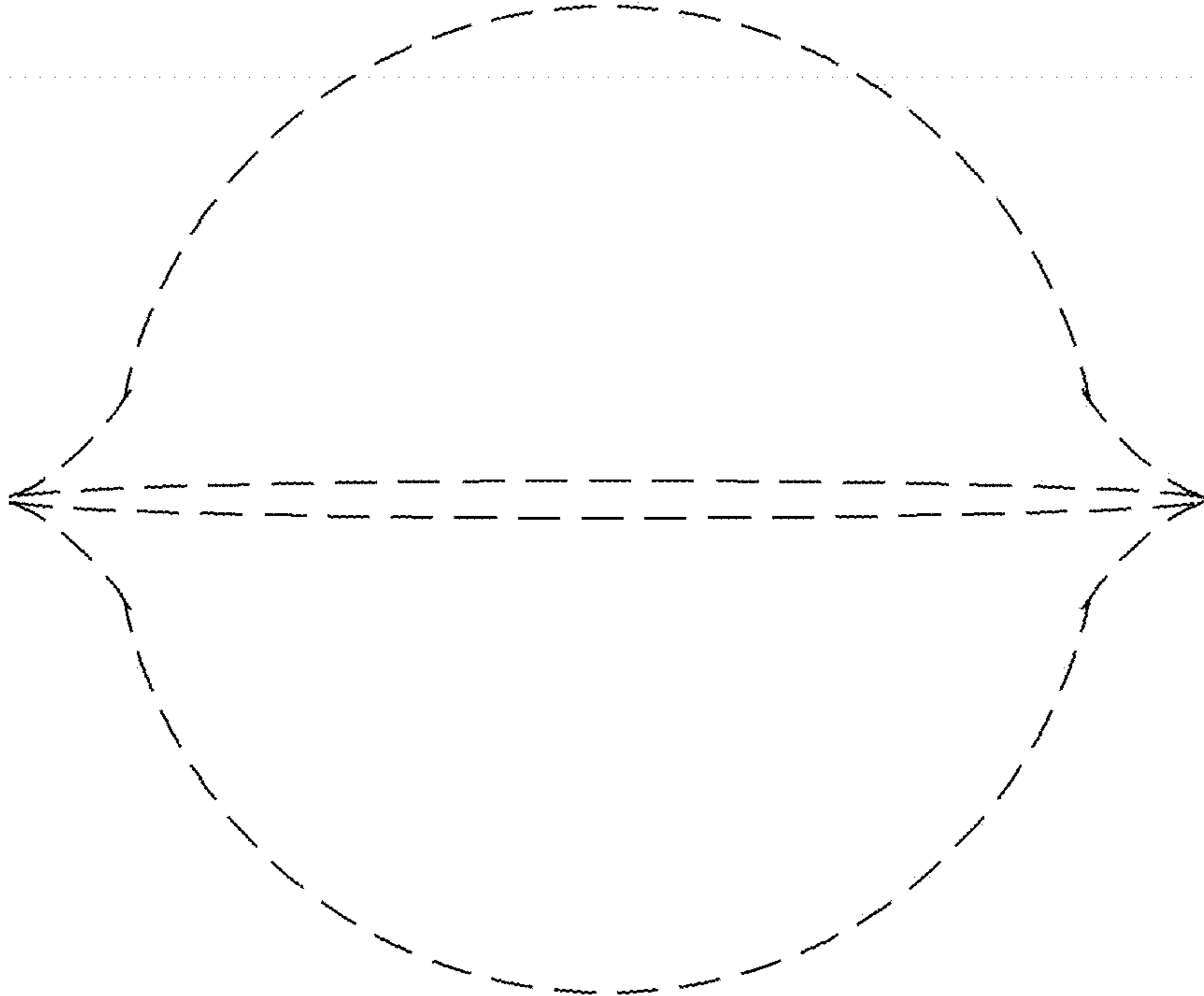


FIG. 7

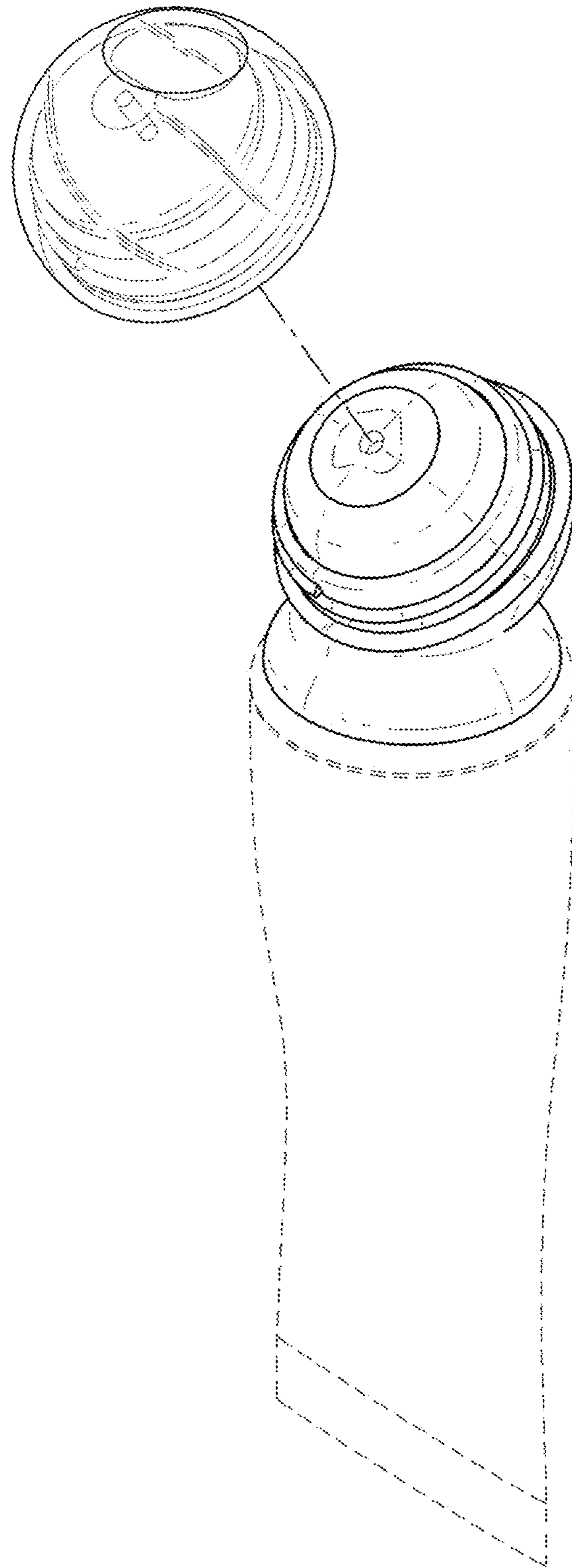


FIG. 8