



US00D884467S

(12) **United States Design Patent** (10) **Patent No.:** **US D884,467 S**
Suen (45) **Date of Patent:** **** May 19, 2020**

(54) **PACKAGING CONTAINER**
(71) Applicant: **Suntime Develop Limited**, Hong Kong (HK)
(72) Inventor: **Kin Sing Suen**, Hong Kong (HK)
(73) Assignee: **Suntime Develop Limited**, Hong Kong (HK)
(**) Term: **15 Years**
(21) Appl. No.: **29/639,313**
(22) Filed: **Mar. 5, 2018**

D590,272 S * 4/2009 Abolfazlian D9/772
D592,956 S * 5/2009 Thiellier D28/82
D599,953 S * 9/2009 Gibson D27/190
D622,003 S * 8/2010 Naughton D28/82
7,798,319 B1 * 9/2010 Bried A24F 23/00
206/242
D650,269 S * 12/2011 Berggren D9/423
D653,127 S * 1/2012 Cronin D27/172
D664,840 S * 8/2012 Jones D9/423
D678,675 S * 3/2013 Lin D3/273
D686,513 S * 7/2013 Henriksson D9/428
D696,723 S * 12/2013 Livingstone D19/86
D703,537 S * 4/2014 Vogel D7/630
D711,250 S * 8/2014 Henriksson D9/504
D773,302 S * 12/2016 Henriksson D9/451
D791,586 S * 7/2017 Bois D9/529
D850,911 S * 6/2019 Holmes D9/443
D869,273 S * 12/2019 Kim D9/449

(30) **Foreign Application Priority Data**
Sep. 6, 2017 (HK) 1701760
(51) **LOC (12) Cl.** **09-03**
(52) **U.S. Cl.**
USPC **D9/414**
(58) **Field of Classification Search**
USPC D9/414-418, 449, 443, 423, 428, 504,
D9/772; D19/86, 67; D3/273; D28/82,
D28/91; D7/630; D27/190, 127
CPC A24F 23/00; B65H 35/0026
See application file for complete search history.

* cited by examiner

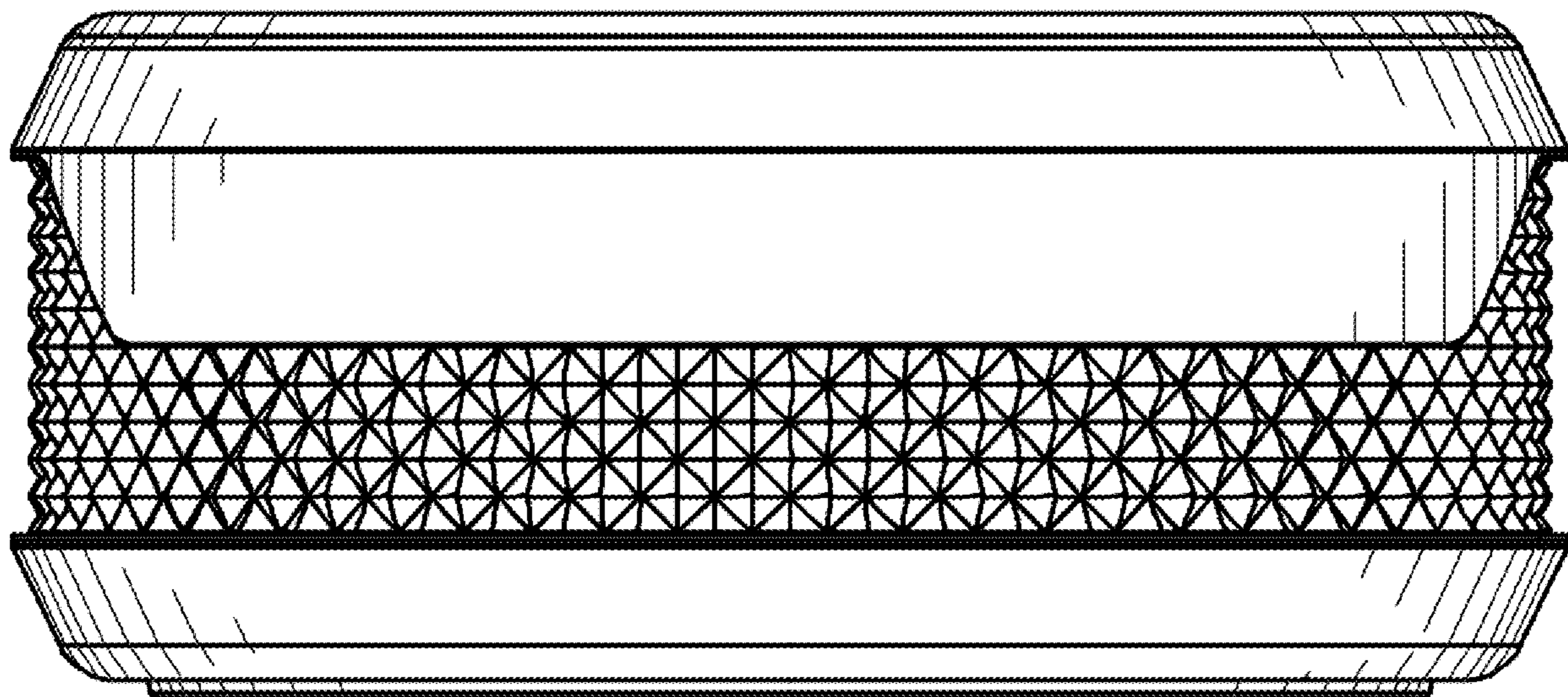
Primary Examiner — Rhea Shields

(56) **References Cited**
U.S. PATENT DOCUMENTS
D456,449 S * 4/2002 Dunshee B65H 35/0026
D19/67
D535,556 S * 1/2007 Broderick D9/416
D574,709 S * 8/2008 Crotts D28/91
D581,809 S * 12/2008 Wichowski D9/504

(57) **CLAIM**
The ornamental design for a packaging container, as shown and described.

DESCRIPTION
FIG. 1 is a front elevational view of a packaging container showing my new design;
FIG. 2 is a rear elevational view thereof;
FIG. 3 is a left side view thereof;
FIG. 4 is a right side view thereof;
FIG. 5 is a bottom plan view thereof;
FIG. 6 is a top plan view thereof;
FIG. 7 is a first perspective view thereof; and,
FIG. 8 is a second perspective view thereof.

1 Claim, 8 Drawing Sheets



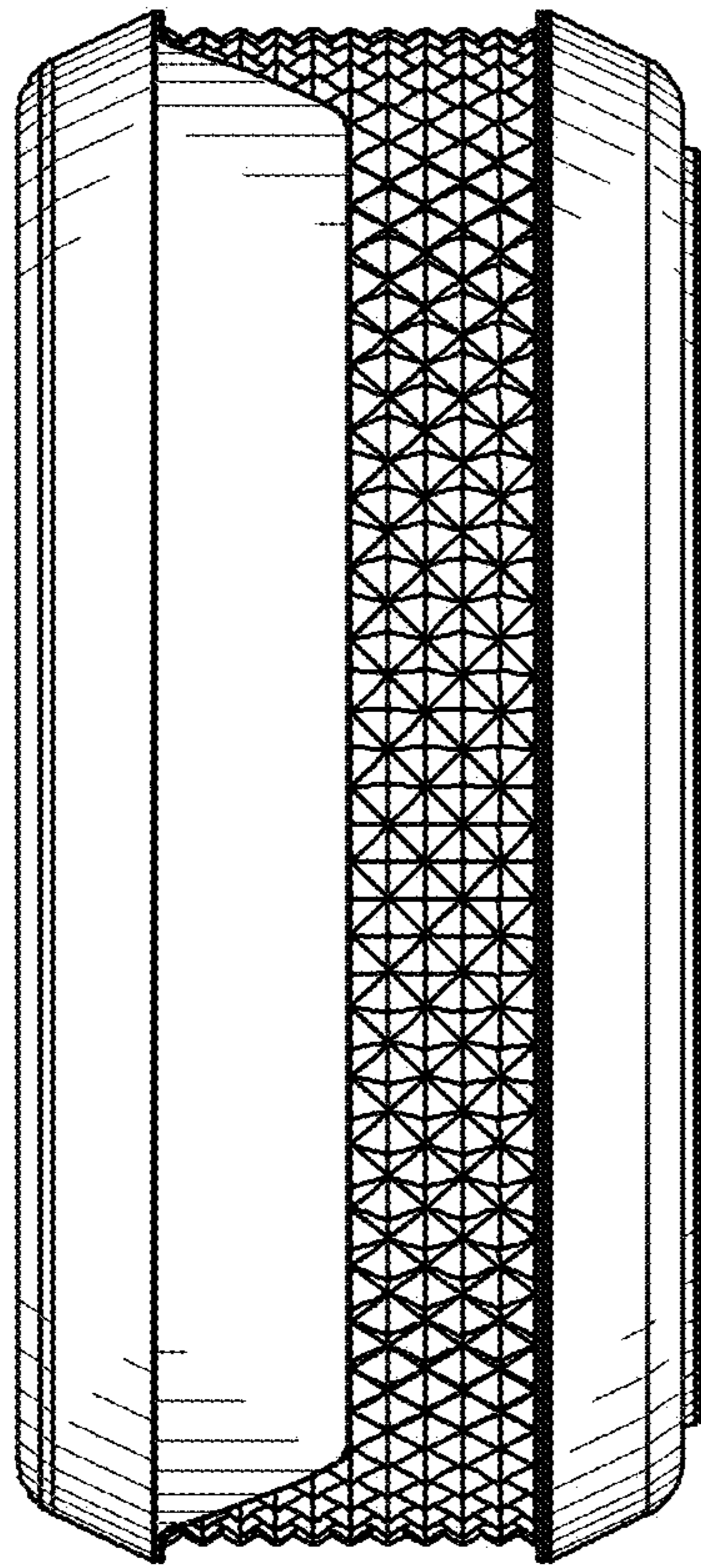


Fig. 1

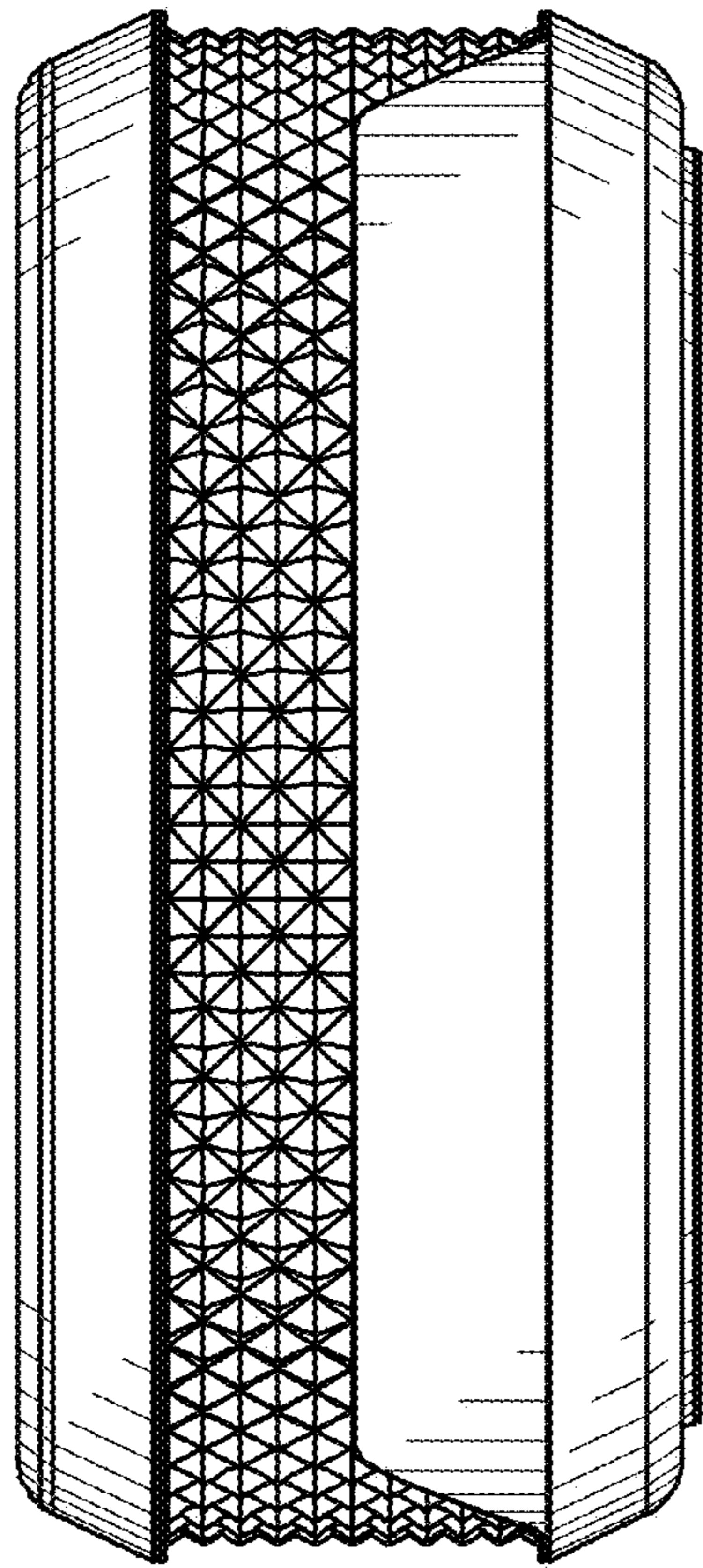


Fig. 2

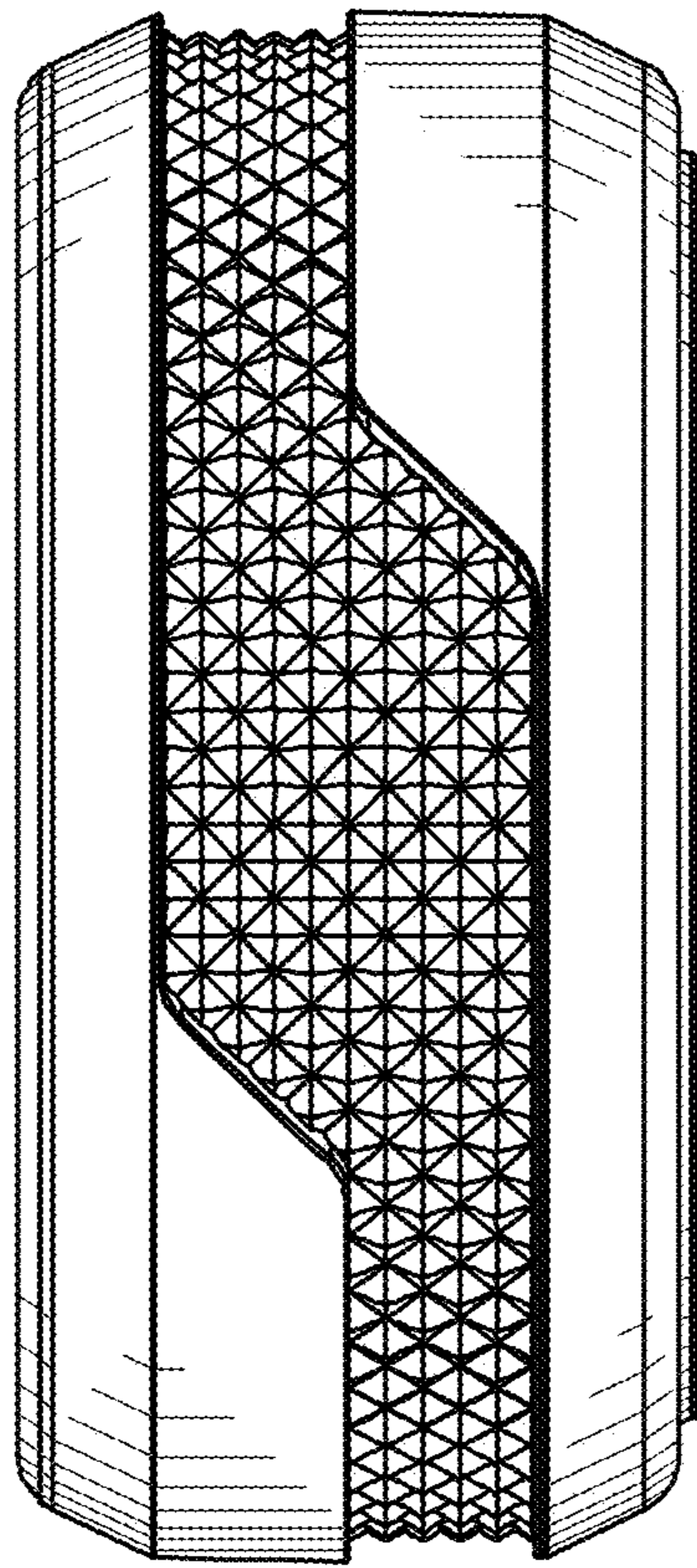


Fig. 3

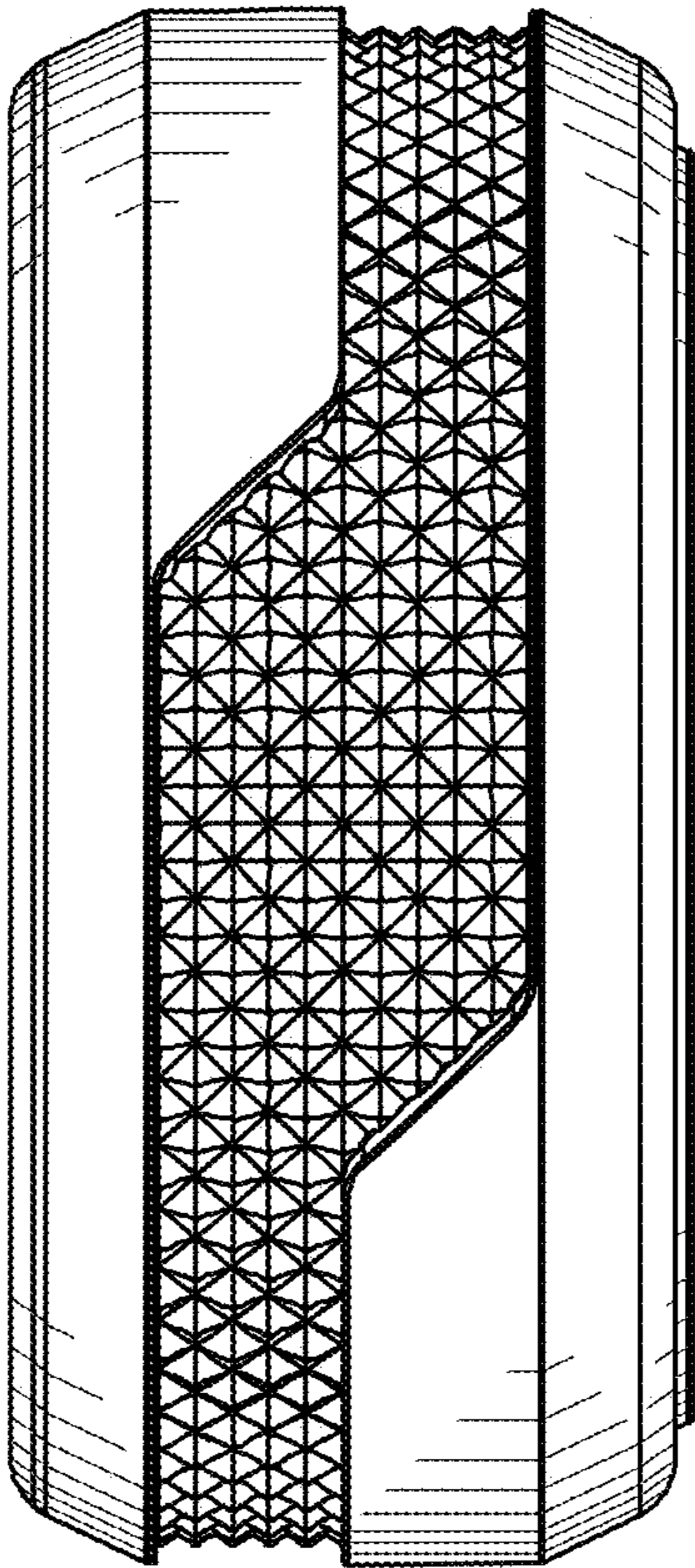


Fig. 4

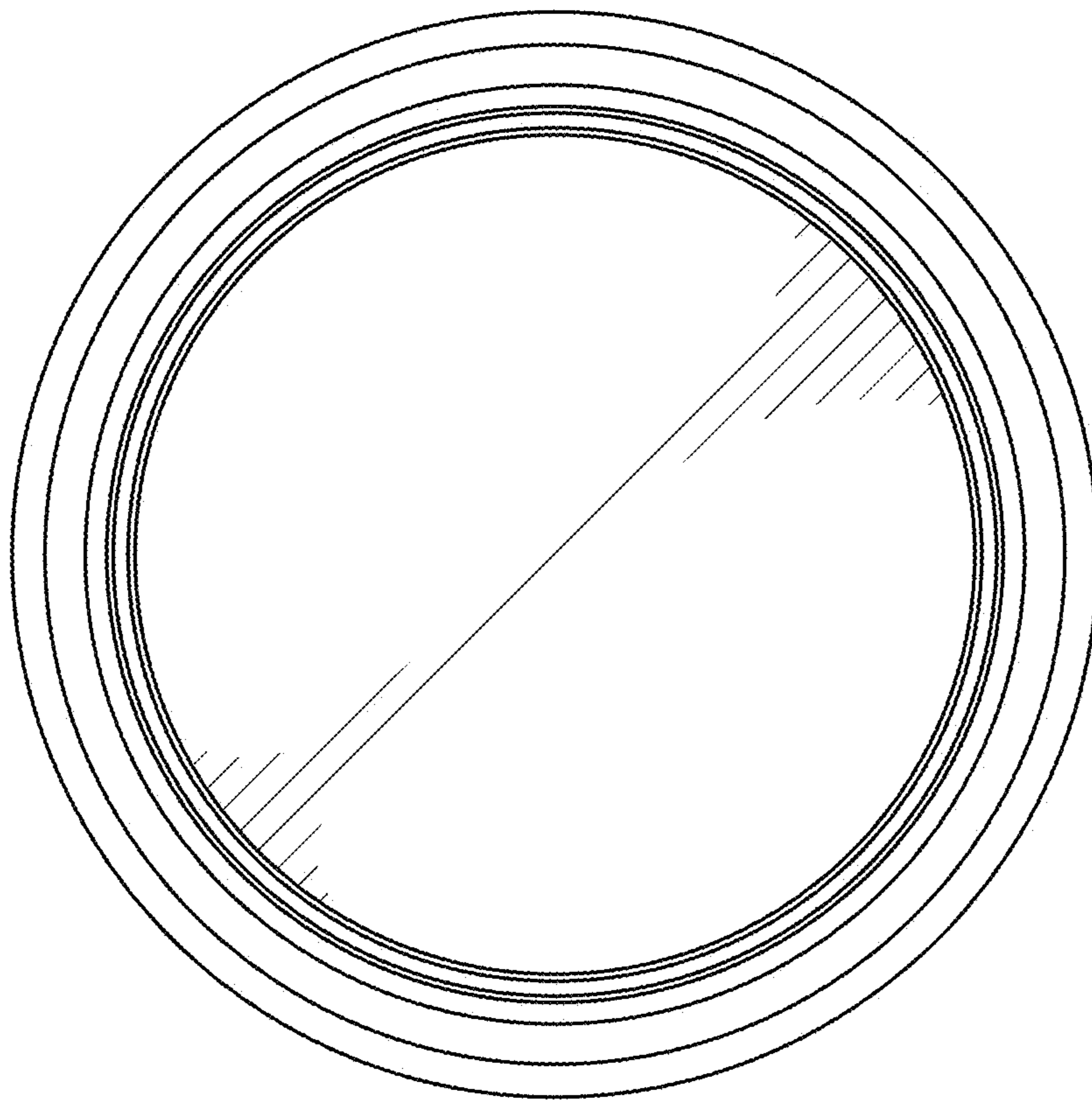


Fig. 5

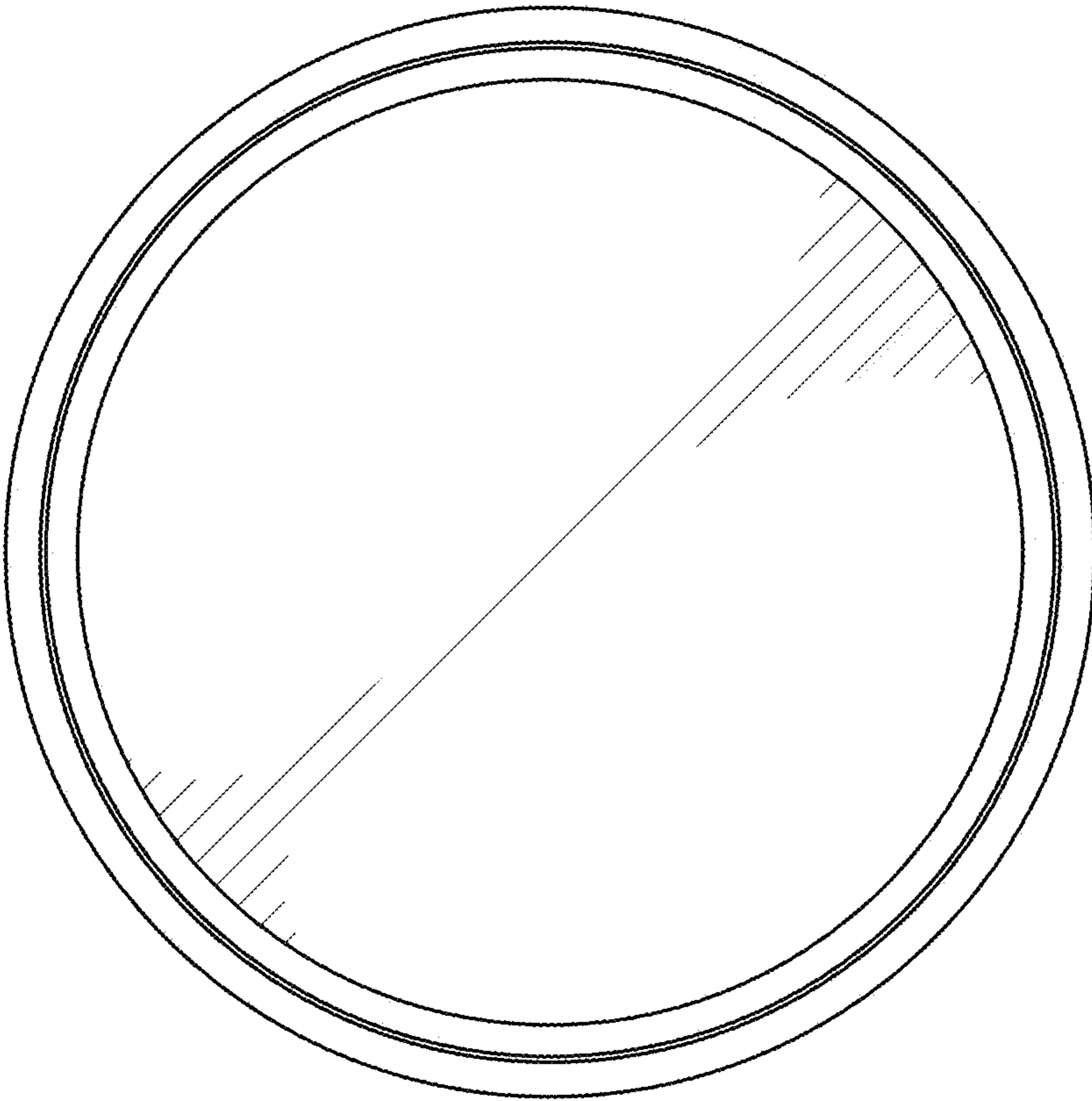


Fig. 6

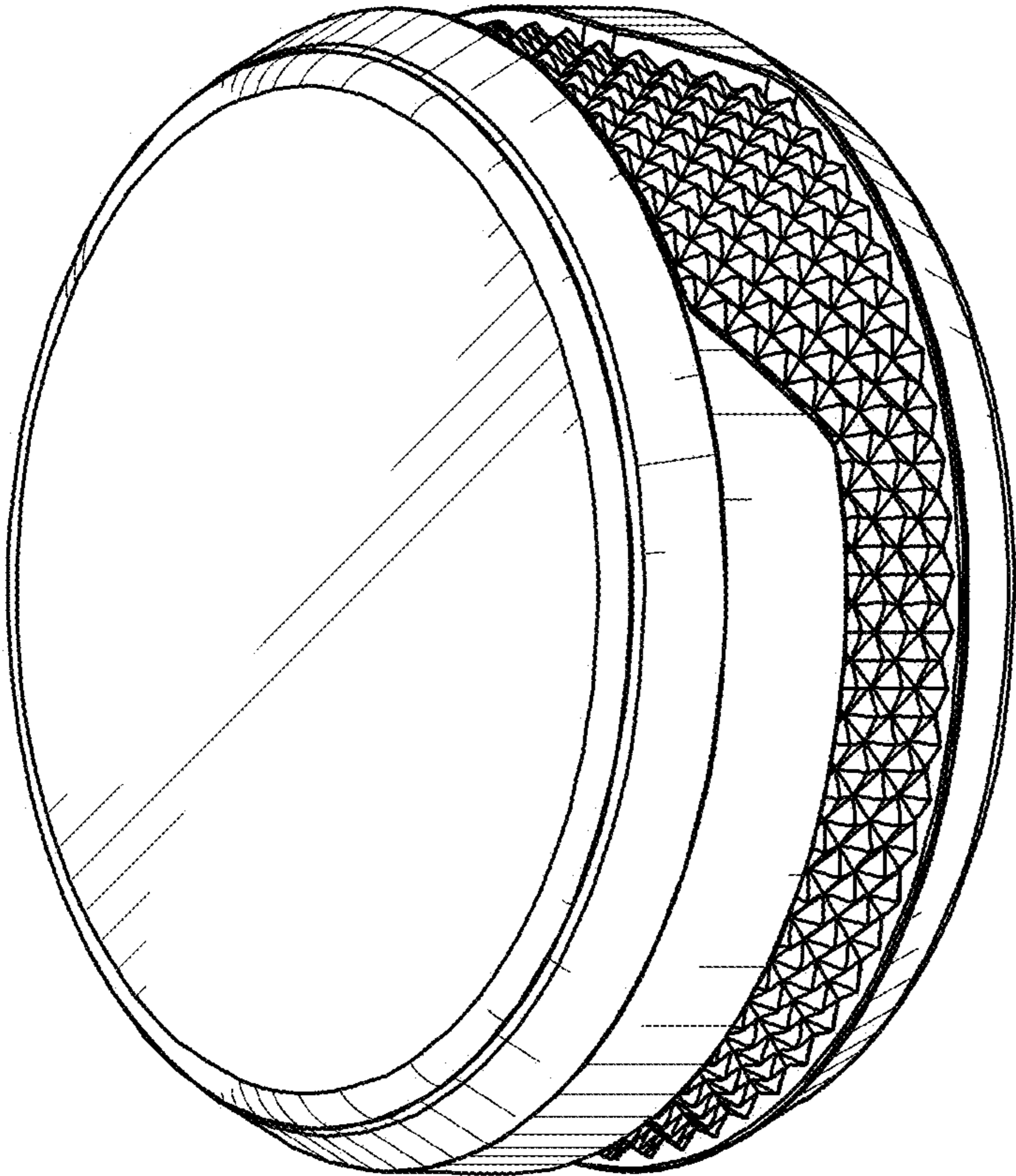


Fig. 7

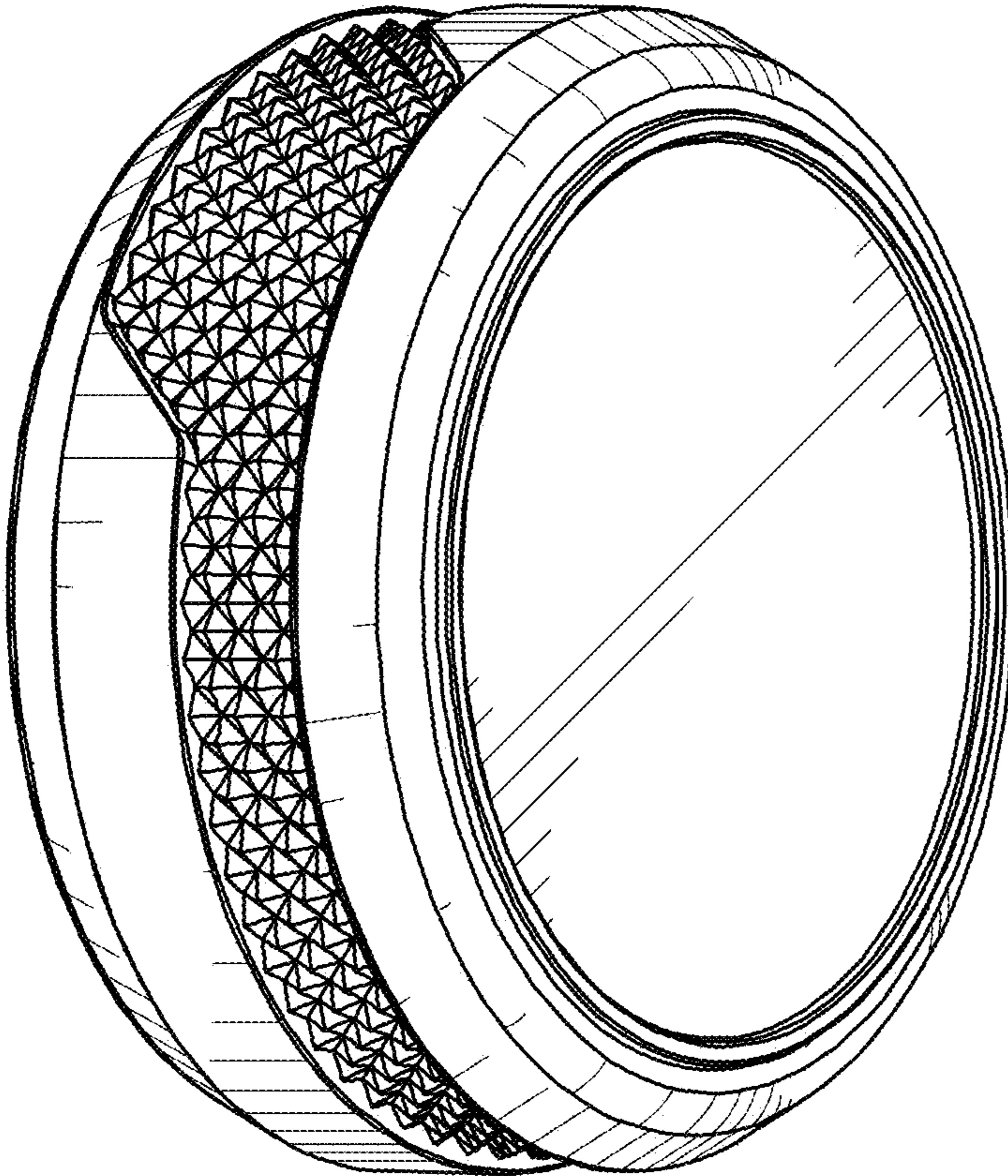


Fig. 8