



US00D884464S

(12) **United States Design Patent** (10) **Patent No.:** **US D884,464 S**
Krake et al. (45) **Date of Patent:** **** May 19, 2020**

(54) **WALL HANGING BRACKET**
(71) Applicant: **UNDER THE ROOF DECORATING INC.,** Calgary (CA)
(72) Inventors: **Kelly R. Krake,** Calgary (CA); **Liette Tousignant,** Calgary (CA); **Michael Kurtz,** Calgary (CA)
(73) Assignee: **UNDER THE ROOF DECORATING INC.,** Calgary (CA)

47/28; H02G 11/02; A01K 89/003; H04M 1/15; A01D 34/822; A47L 9/26; H04R 1/1033; Y10S 24/909; E05C 19/10; E05C 17/50; E05C 3/045; E05C 3/30; E05C 19/02; E05C 19/026; A47G 25/0614; A47G 25/18; A47G 25/32; A47G 7/047; A47G 7/045; A47G 7/042; A47G 7/044; F16B 12/44; F16B 12/46; F16B 5/0614; F16B 12/02; E04B 1/2612; E04B 2001/2415; E04B 1/5818; E04B 1/5831; A47B

(**) Term: **15 Years**

(Continued)

(21) Appl. No.: **29/609,954**
(22) Filed: **Jul. 7, 2017**
(51) **LOC (12) Cl.** **08-05**
(52) **U.S. Cl.**
USPC **D8/373**

(56) **References Cited**

U.S. PATENT DOCUMENTS

4,216,597 A 8/1980 Kocina et al.
D279,449 S * 7/1985 Finger, Jr. D20/10
(Continued)

(58) **Field of Classification Search**
USPC D8/373, 358, 359, 354, 71, 330, 336, D8/351, 356, 360.1, 363, 364, 367, 370, D8/372, 379, 381, 382, 395, 396; D6/349, 352; D9/426, 502, 750; D10/72, 73, 89; D11/79, 93; D13/103, D13/107, 152, 183; D19/67; D21/673, D21/674, 675, 839, 840; D25/19, 62, 68, D25/69; D26/40, 49; D29/122, 124; D30/153, 155
CPC B65H 75/40; B65H 75/4407; B65H 75/4471; B65H 2701/34; B65H 2701/32; B65H 2511/142; B65H 29/008; B65H 2701/33; B65H 54/585; B65H 51/22; B65H 75/08; B65H 75/02; B65H 2301/41485; B65H 75/4468; B65H 2301/414323; B65H 2301/414325; B65H 16/02; B65H 2301/4131; B65H 75/403; B65H 75/441; B65D 85/66; B65D 85/67; B66D 3/006; B66D 3/18; B66D 3/26; B66D 3/02; B66D 3/14; B63B 21/18; B63B 21/26; B65B 57/005; A61G 7/1051; A61G 7/1061; B66B 11/08; A62C 33/04; B08B 2203/0276; B21C

Primary Examiner — Shannon W Morgan
Assistant Examiner — Kristin E Reed
(74) *Attorney, Agent, or Firm* — Norton Rose Fulbright Canada LLP; Alexandre Daoust

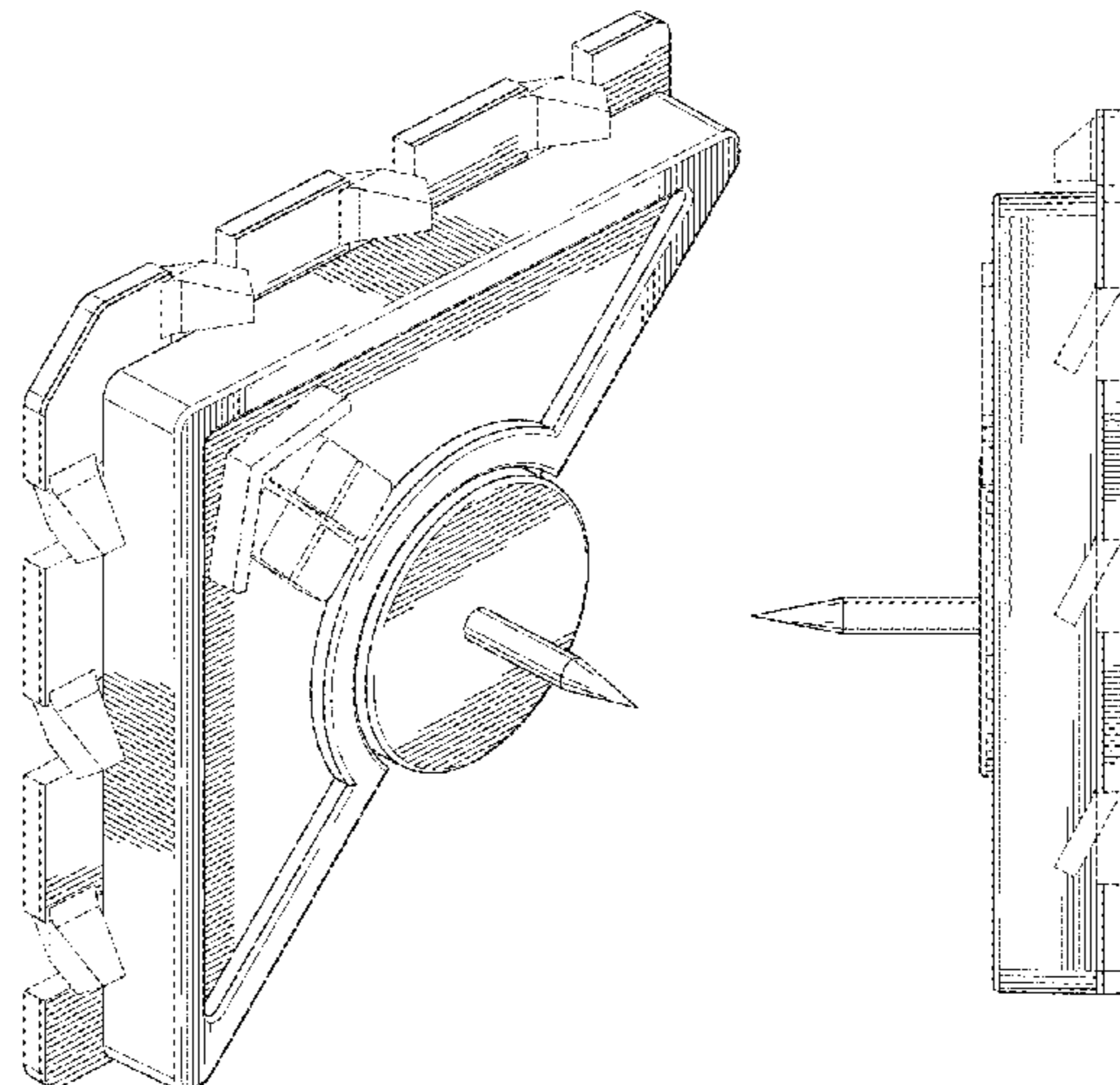
(57) **CLAIM**

The ornamental design for a wall hanging bracket, as shown and described.

DESCRIPTION

FIG. 1 is an oblique view of a wall hanging bracket showing our new design;
FIG. 2 is a top view thereof;
FIG. 3 is a rear view thereof;
FIG. 4 is a right view thereof;
FIG. 5 is a left view thereof;
FIG. 6 is a bottom view thereof; and,
FIG. 7 is a front view thereof.
The dashed broken lines shown in the drawings depict portions of the wall hanging bracket that form no part of the claimed design.

1 Claim, 4 Drawing Sheets



(58) **Field of Classification Search**

CPC 88/0055; E04F 11/1812; F16L 1/0246;
A01G 9/024; A01G 25/14; A01G 27/001;
A01G 9/042; A01G 27/005; A01G
31/001; A01G 9/02; A01G 9/083; A01G
9/12

See application file for complete search history.

(56) **References Cited**

U.S. PATENT DOCUMENTS

D332,413 S * 1/1993 Douglas D10/65
D364,331 S * 11/1995 Leek D8/354
D378,422 S * 3/1997 Howe D25/102
D490,295 S * 5/2004 Neider D8/356
D572,122 S * 7/2008 Cave D8/373
D587,991 S * 3/2009 Walker D8/381
D598,691 S * 8/2009 Mann, Jr. D25/68
D681,421 S * 5/2013 Bucci D8/354
D744,317 S * 12/2015 Densberger D8/354
2017/0055730 A1 * 3/2017 Krake A47G 1/1633
2017/0055732 A1 * 3/2017 Krake A47G 1/205
2017/0059084 A1 * 3/2017 Krake A47G 1/22

* cited by examiner

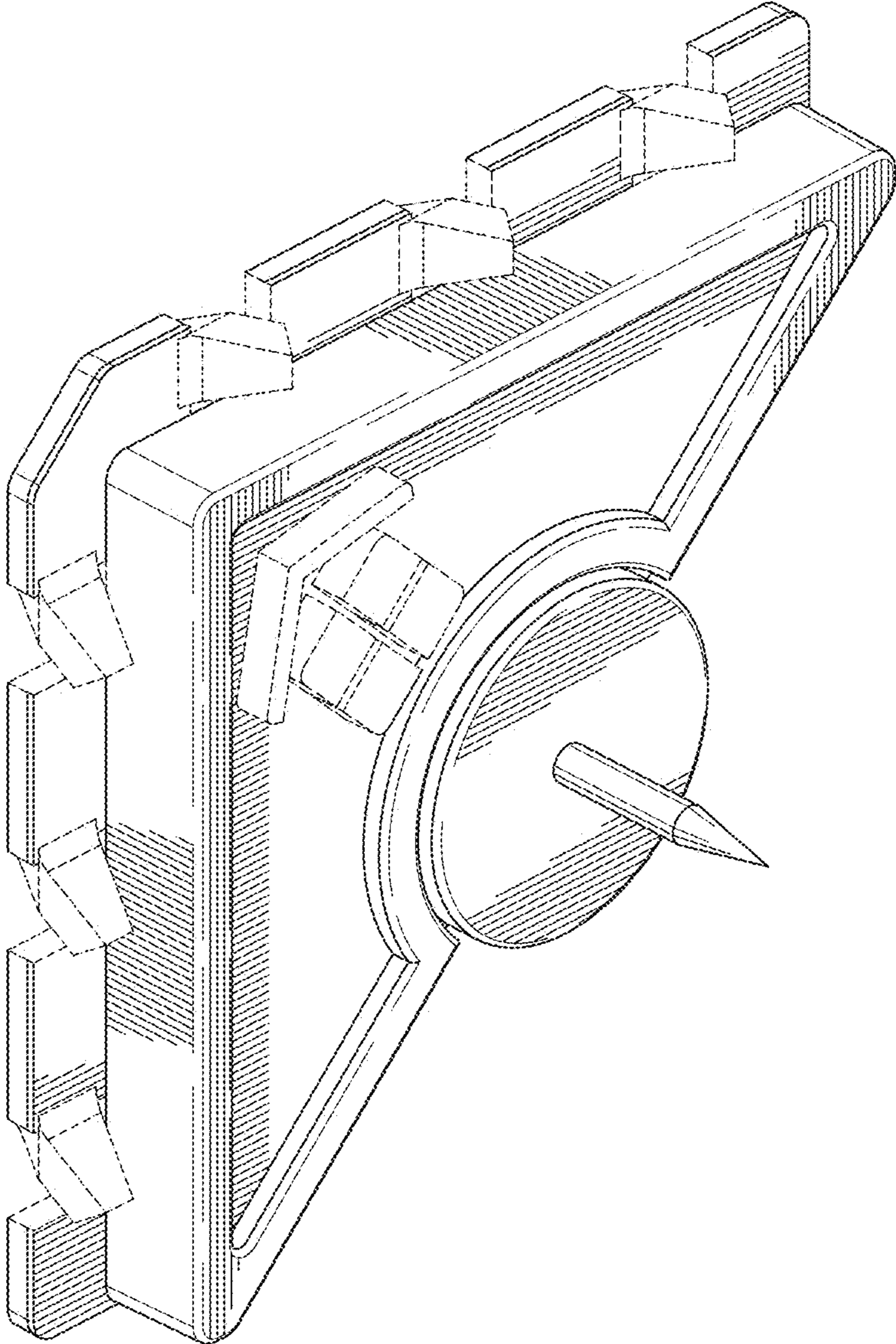


FIG. 1

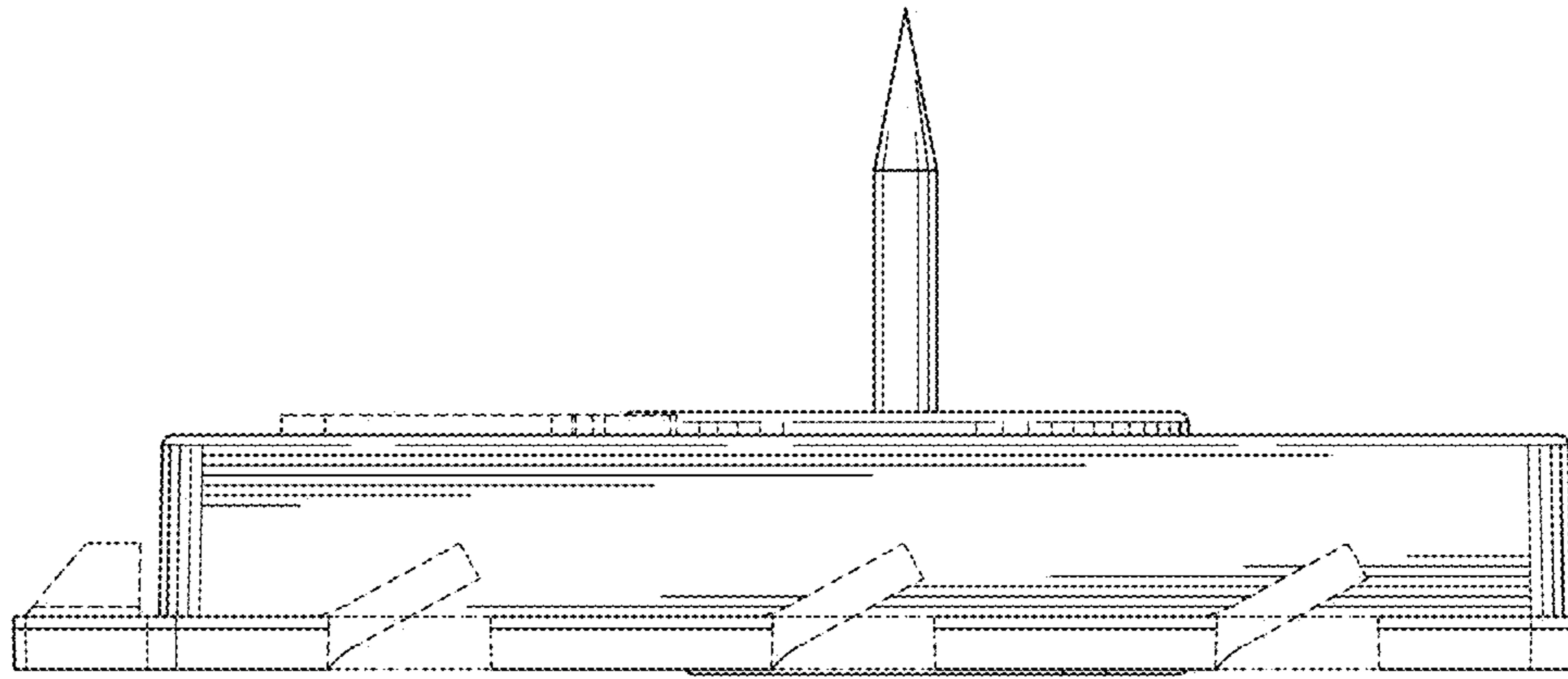


FIG. 2

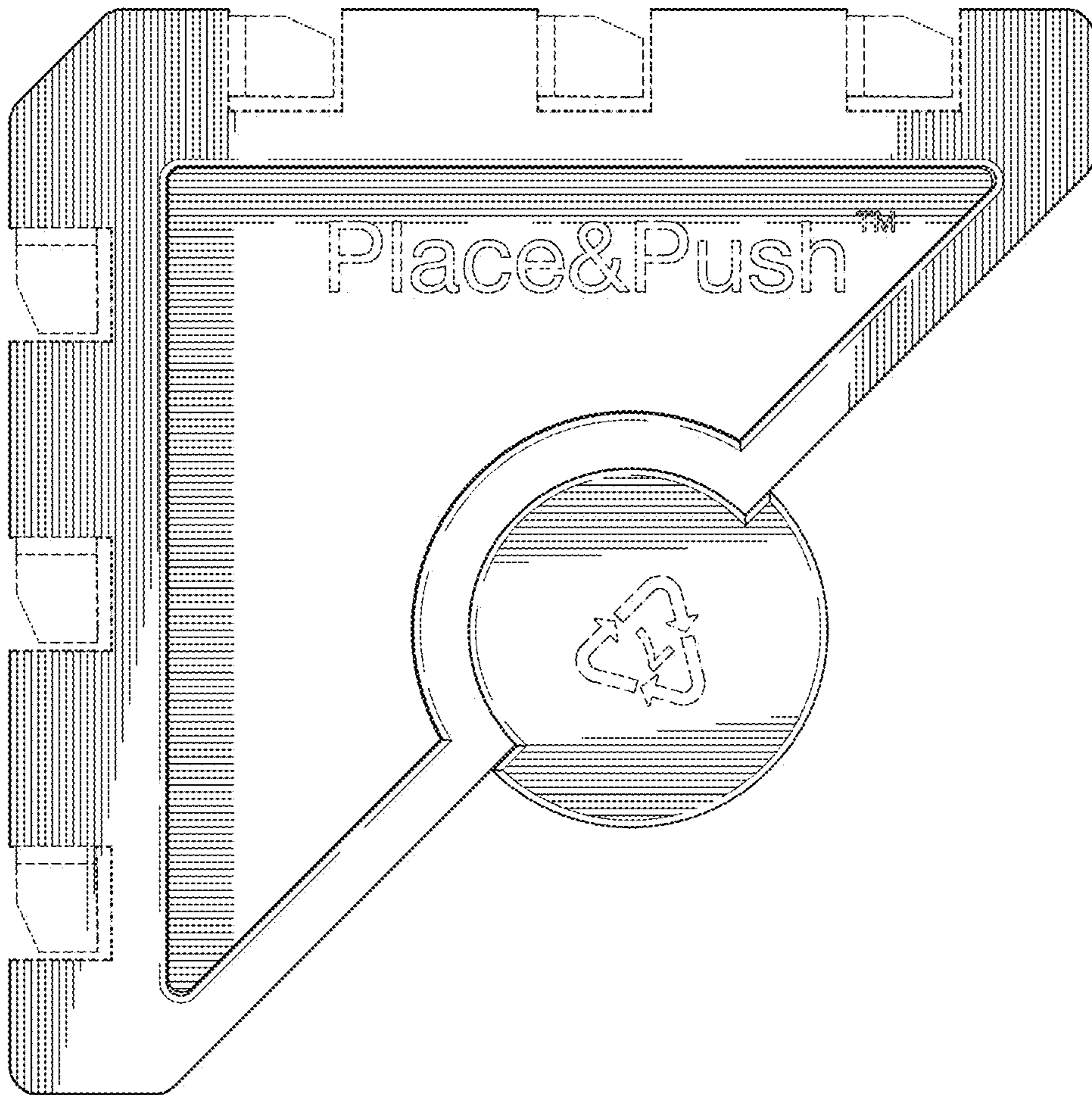


FIG. 3

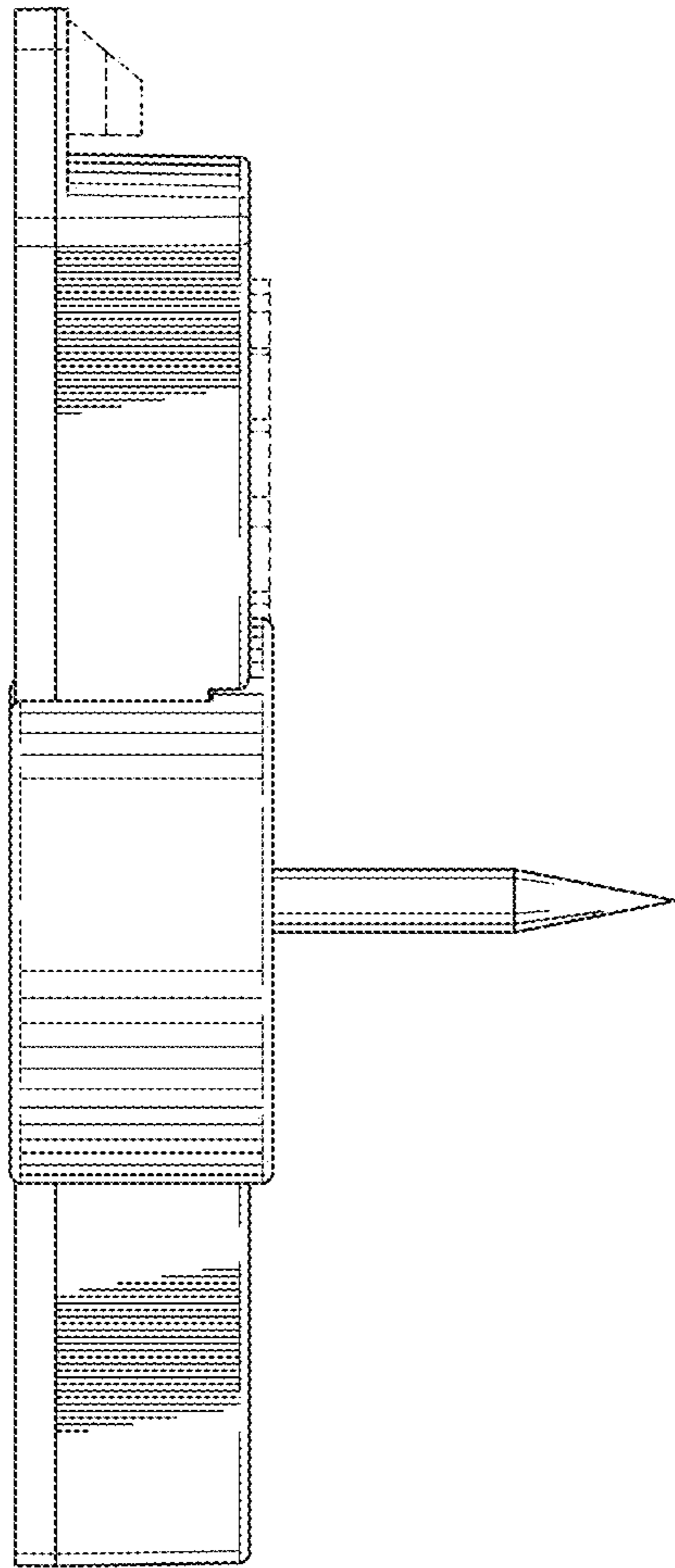


FIG. 4

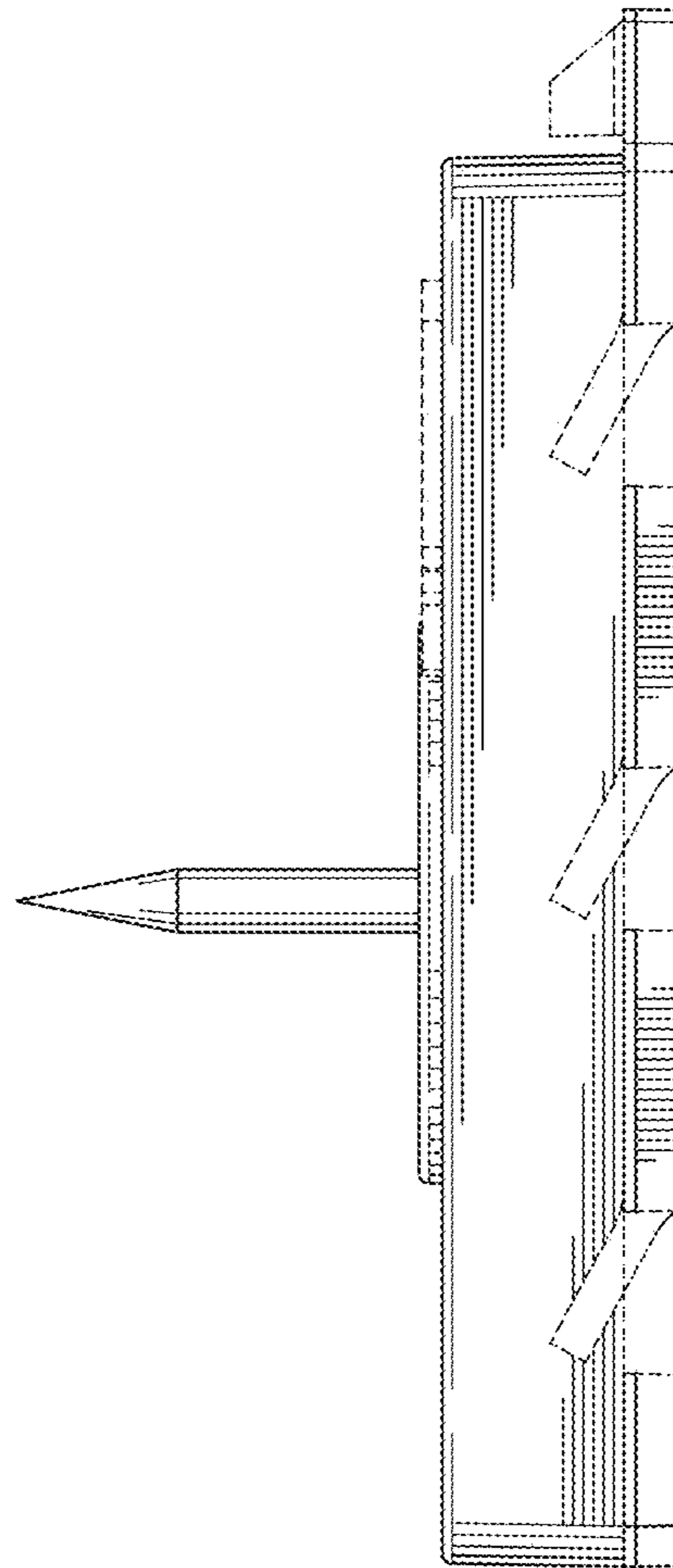


FIG. 5

