



US00D884463S

(12) **United States Design Patent**
Chen

(10) **Patent No.:** **US D884,463 S**

(45) **Date of Patent:** **** May 19, 2020**

- (54) **CONNECTOR**
- (71) Applicant: **MARTAS PRECISION SLIDE CO., LTD.**, New Taipei (TW)
- (72) Inventor: **Wan-Lai Chen**, New Taipei (TW)
- (73) Assignee: **MARTAS PRECISION SLIDE CO., LTD.**, New Taipei (TW)
- (**) Term: **15 Years**
- (21) Appl. No.: **29/568,216**
- (22) Filed: **Jun. 16, 2016**
- (51) **LOC (12) Cl.** **08-05**
- (52) **U.S. Cl.**
USPC **D8/373**
- (58) **Field of Classification Search**
USPC D8/354, 355, 363, 377, 373, 370, 371,
D8/372, 374, 375, 376, 379; D6/704;
312/217, 218, 219, 220, 221, 107.5,
312/330.1, 334.1, 334.7, 334.44, 334.47,
312/333
CPC A47B 96/067; A47B 96/07; A47B 88/40;
A47B 88/10; H05K 7/1489; H05K 7/183;
E05B 65/44
See application file for complete search history.

- (56) **References Cited**
U.S. PATENT DOCUMENTS
D442,077 S * 5/2001 Crooks D8/374
6,779,855 B2 * 8/2004 Hoffman E05B 65/466
312/219
7,484,817 B2 * 2/2009 Hoffman E05B 65/466
312/219
7,520,576 B2 * 4/2009 Ludwig E05B 65/464
312/217
7,850,259 B2 * 12/2010 Chen E05B 65/466
312/221
D648,160 S * 11/2011 Le D8/382

- 8,277,000 B2 * 10/2012 Huang E05B 65/464
312/221
- 8,328,299 B2 * 12/2012 Hashemi E05B 47/00
312/333
- 8,696,078 B2 * 4/2014 Gasser A47B 88/427
312/348.2
- D728,262 S * 5/2015 Lim D6/553
- 9,161,626 B2 * 10/2015 Zimmermann A47B 88/57
- 9,237,808 B2 * 1/2016 Chen A47B 96/07
- 9,279,451 B2 * 3/2016 Judge F16C 29/04
- D758,174 S * 6/2016 Lee D8/382
- D764,258 S * 8/2016 Miller D8/356
- D767,199 S * 9/2016 Wronski D26/142
- D780,438 S * 3/2017 Marques D3/222
- D781,987 S * 3/2017 Geissele D22/108
- 2005/0104485 A1 * 5/2005 Chiu E05B 65/464
312/221
- 2007/0040484 A1 * 2/2007 Huang E05B 65/464
312/221

(Continued)

Primary Examiner — Ian Simmons
Assistant Examiner — Yolanda Robinson
(74) *Attorney, Agent, or Firm* — Fei-hung Yang

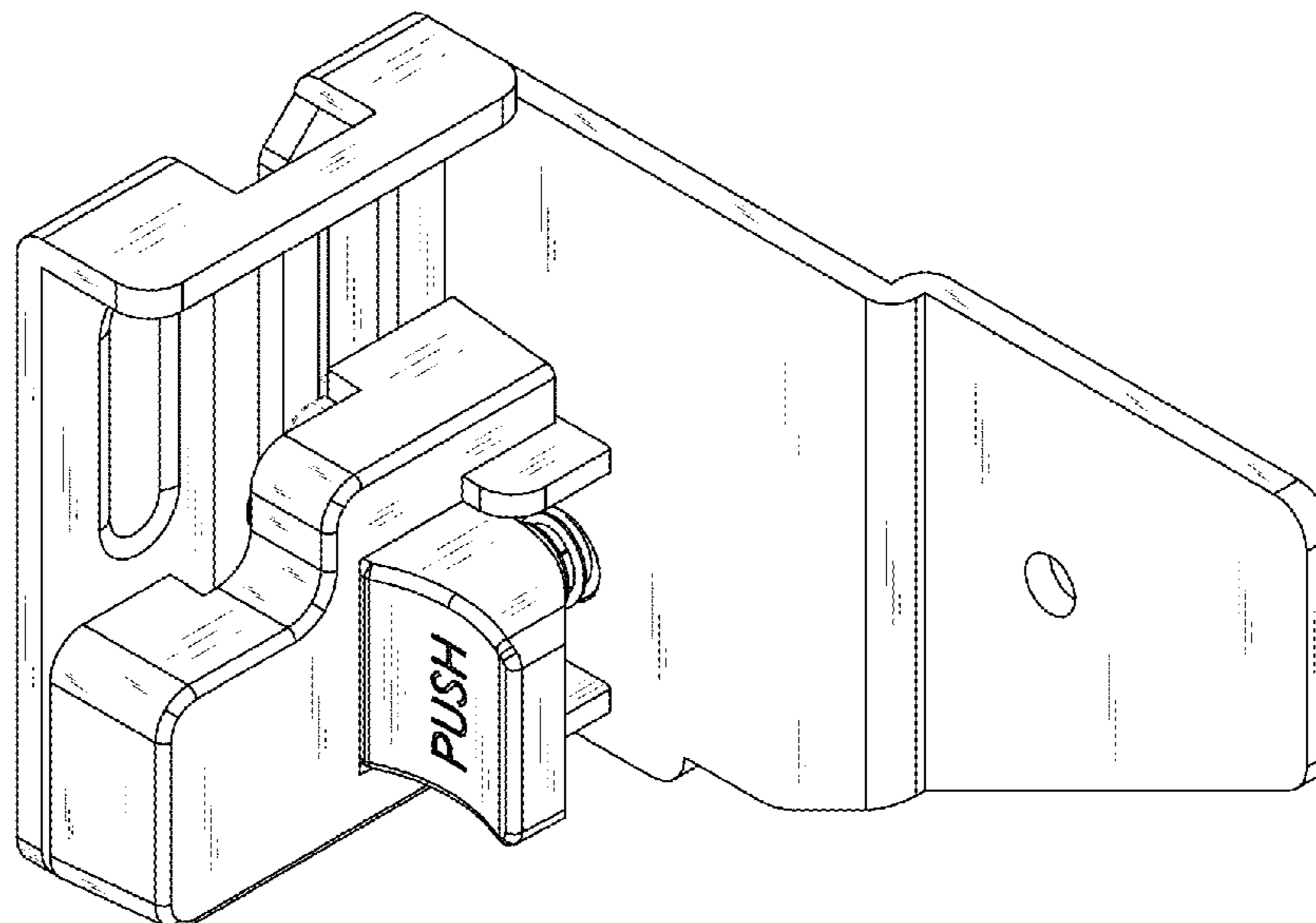
(57) **CLAIM**

The ornamental design for a “connector”, as shown and described.

DESCRIPTION

FIG. 1 is a perspective view of a “connector” showing our new design;
FIG. 2 is a front view thereof;
FIG. 3 is a rear view thereof;
FIG. 4 is a left side view thereof;
FIG. 5 is a right side view thereof;
FIG. 6 is a top view thereof; and,
FIG. 7 is a bottom view thereof.
The broken lines shown in the drawings are for the purpose of illustrating portions of the connector that form no part of the claimed design.

1 Claim, 4 Drawing Sheets



(56)

References Cited

U.S. PATENT DOCUMENTS

2007/0182292 A1* 8/2007 Huang E05B 65/464
312/221
2008/0011564 A1* 1/2008 Chen F16F 9/0218
188/300
2011/0176755 A1* 7/2011 Chen E05B 65/466
384/21
2012/0068590 A1* 3/2012 Chen E05B 65/464
312/333
2013/0062292 A1* 3/2013 Kerns G11B 33/128
211/26
2014/0055020 A1* 2/2014 Gasser A47B 88/57
312/333
2016/0345732 A1* 12/2016 McGregor A47B 88/407
2017/0055707 A1* 3/2017 Chen A47B 88/407
2018/0155962 A1* 6/2018 Mitchell E05O 9/042

* cited by examiner

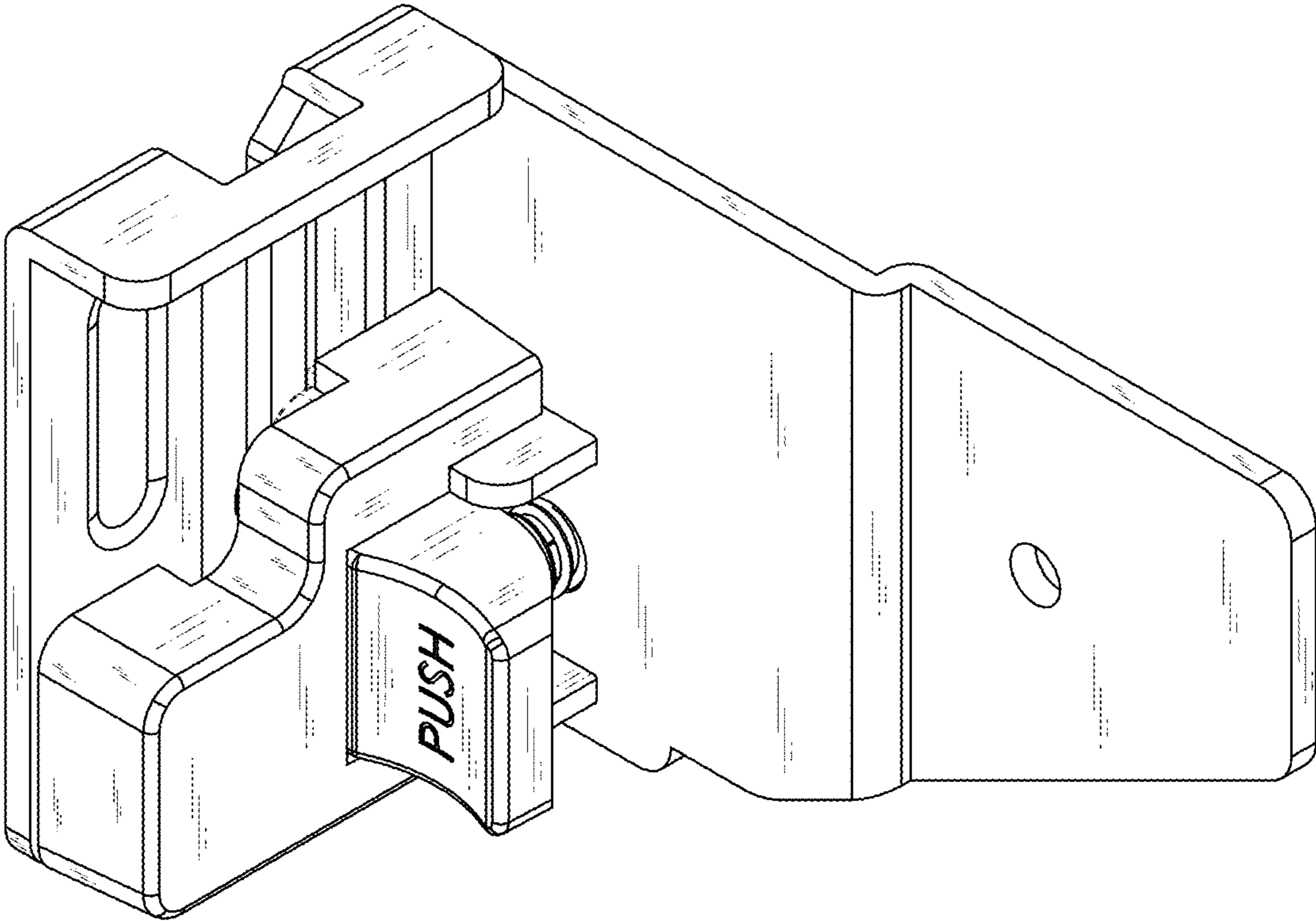


Fig. 1

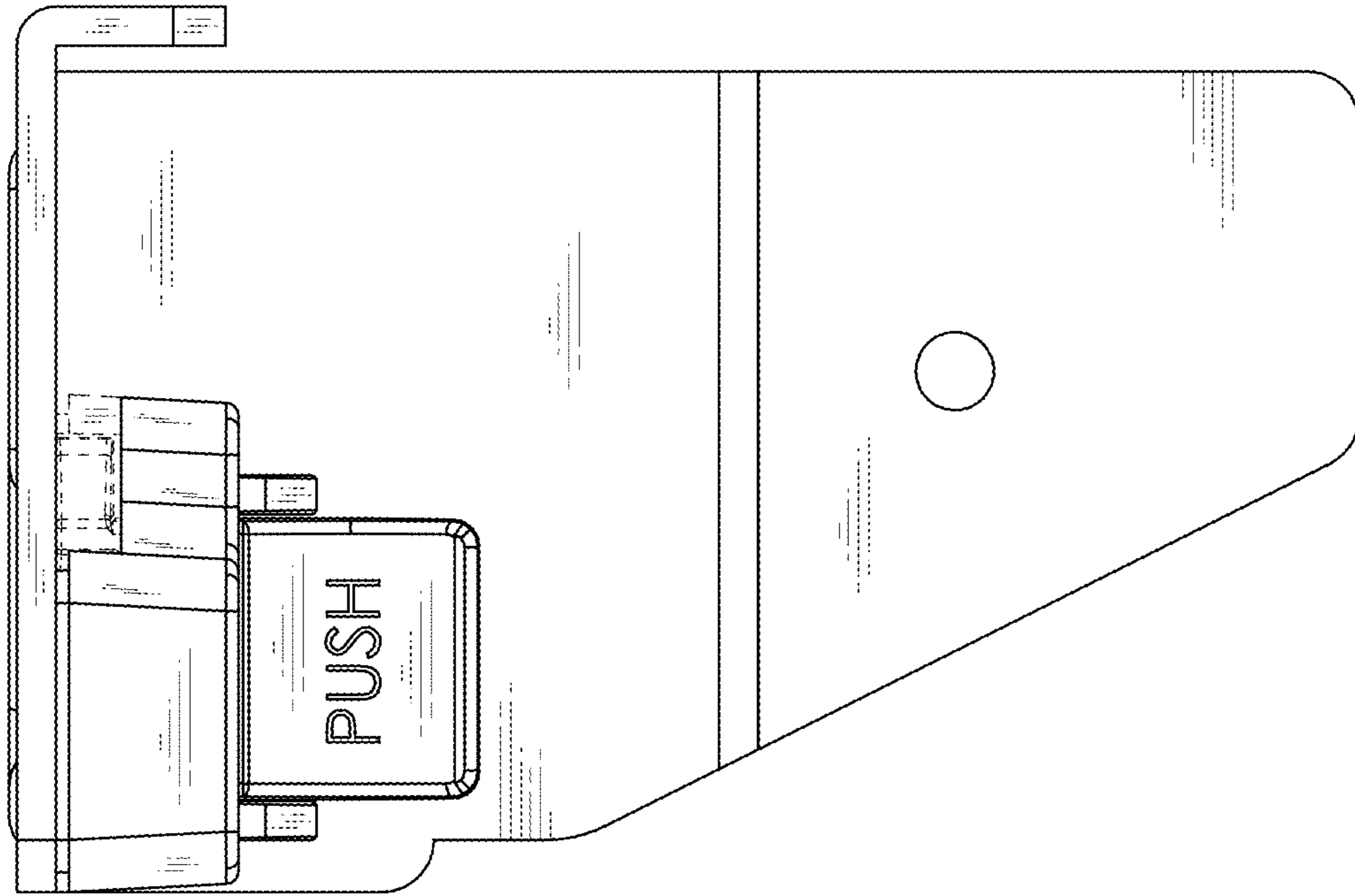


Fig. 2

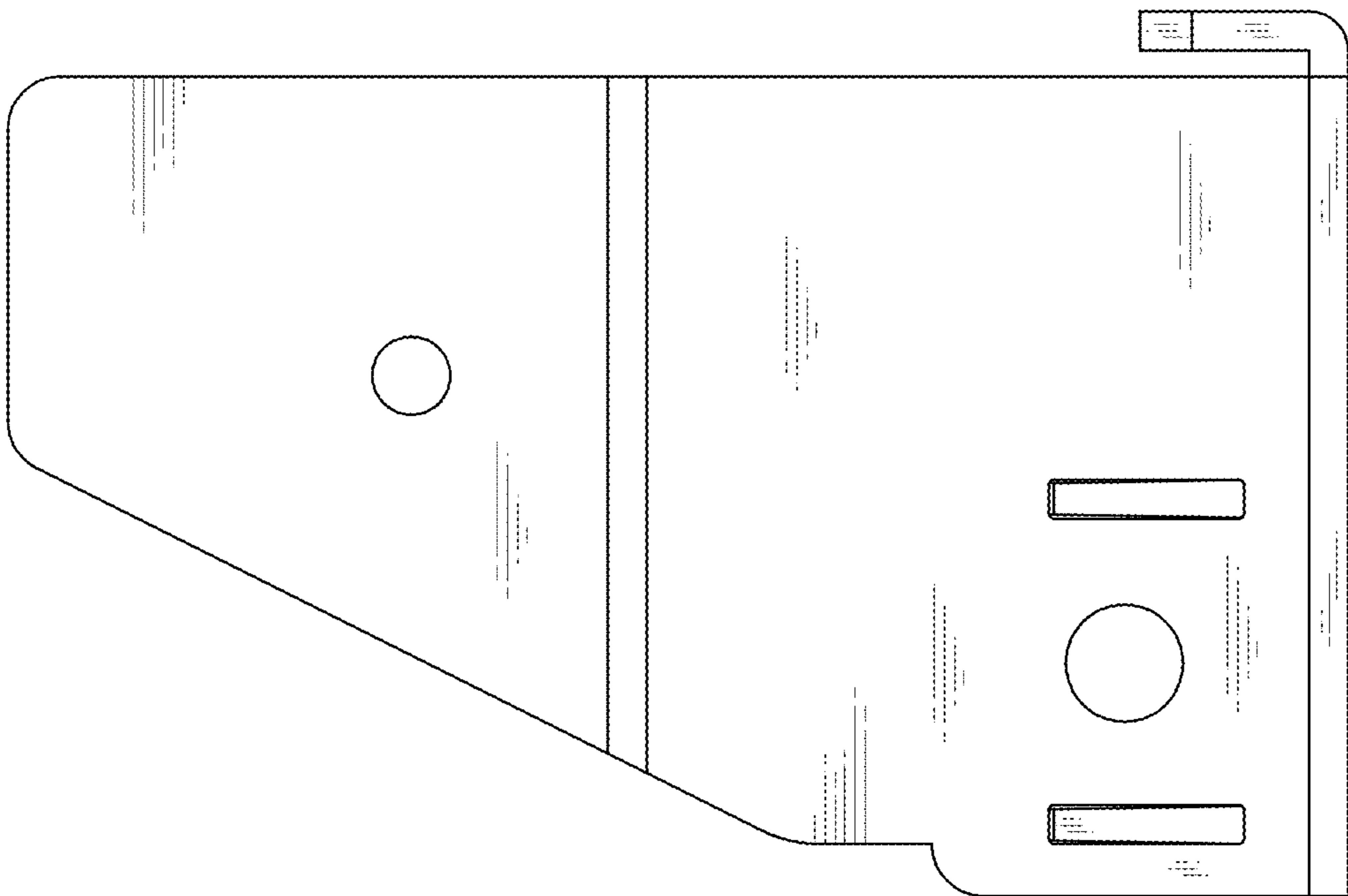


Fig. 3

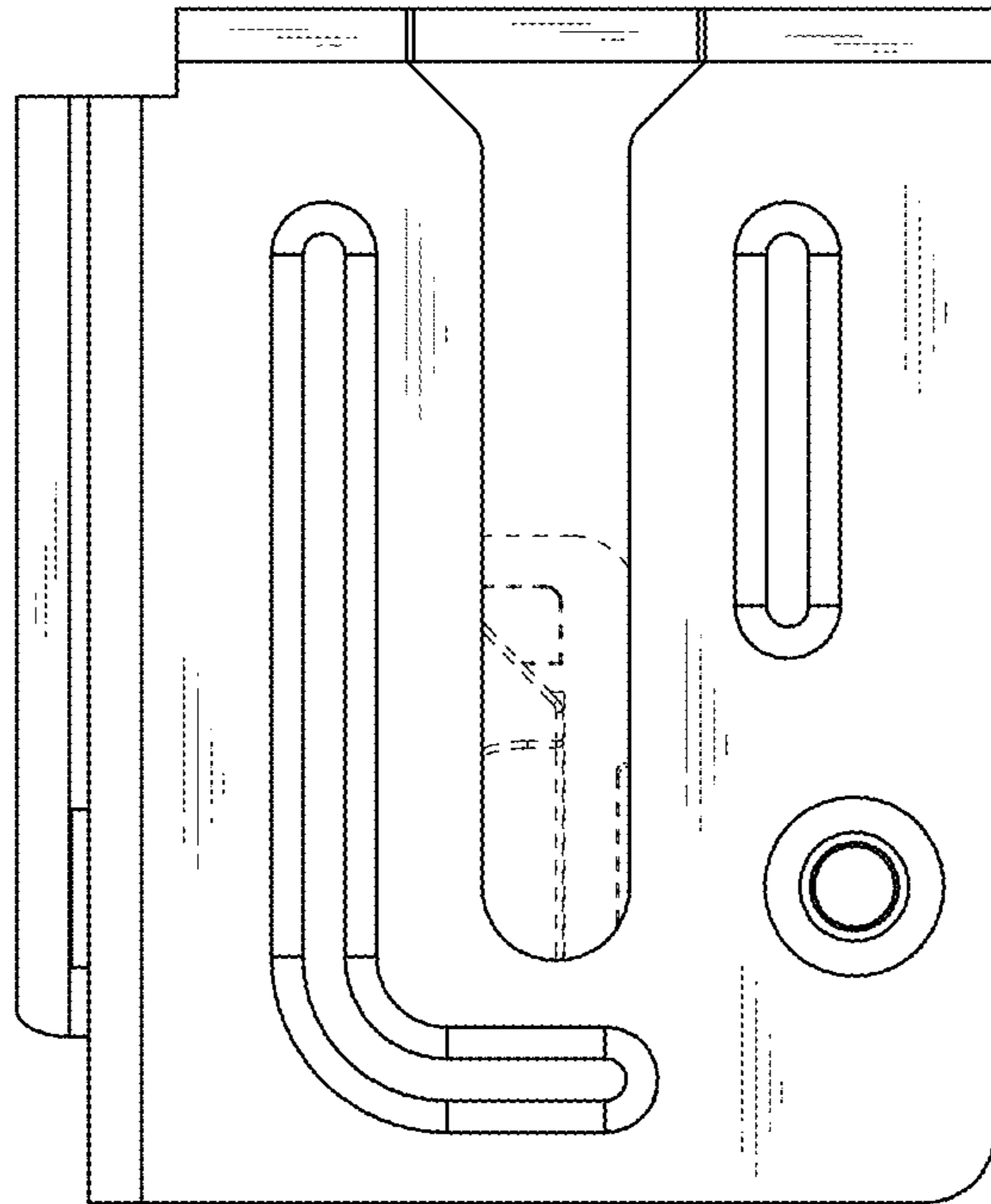


Fig. 4

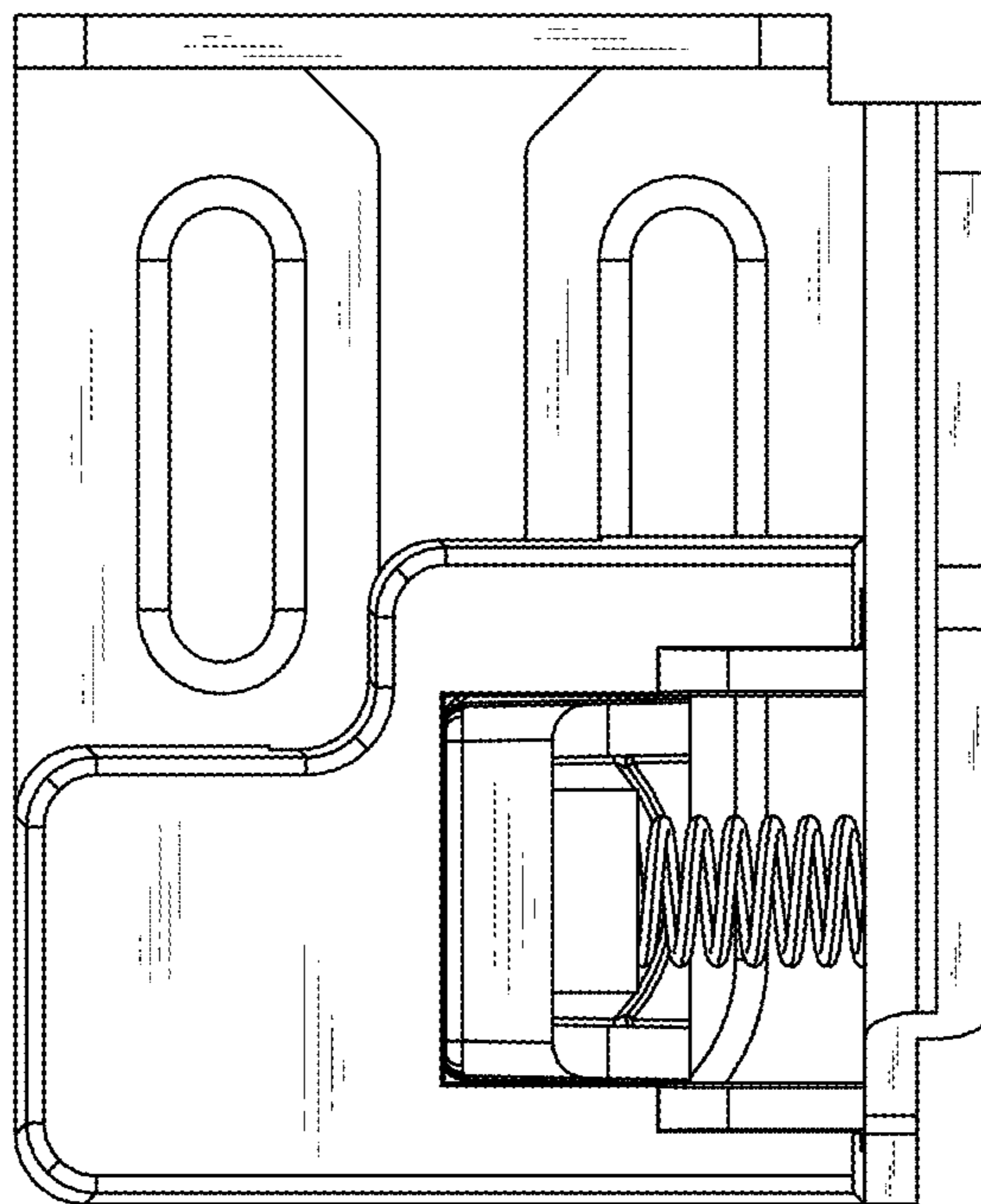


Fig. 5

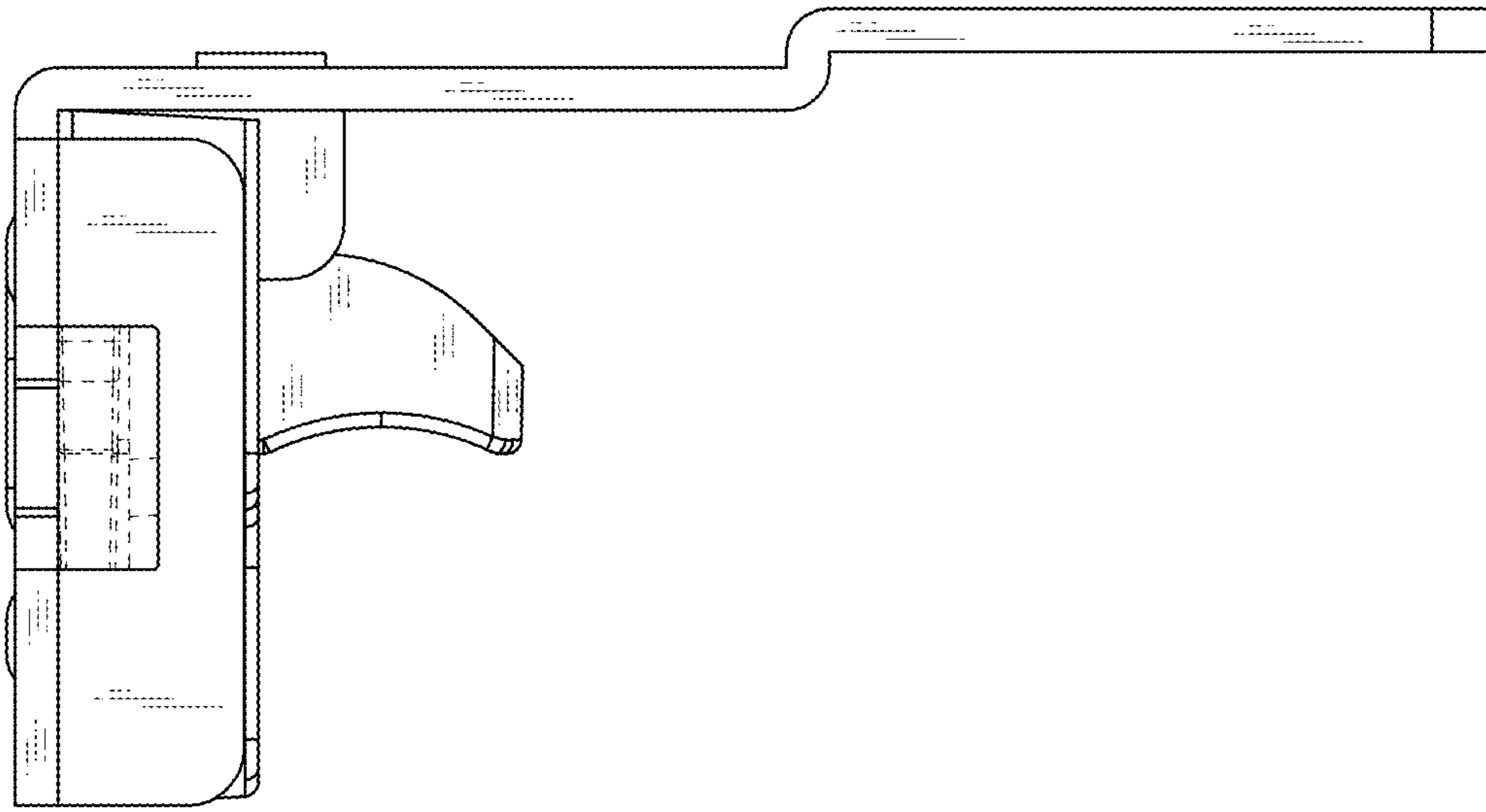


Fig. 6

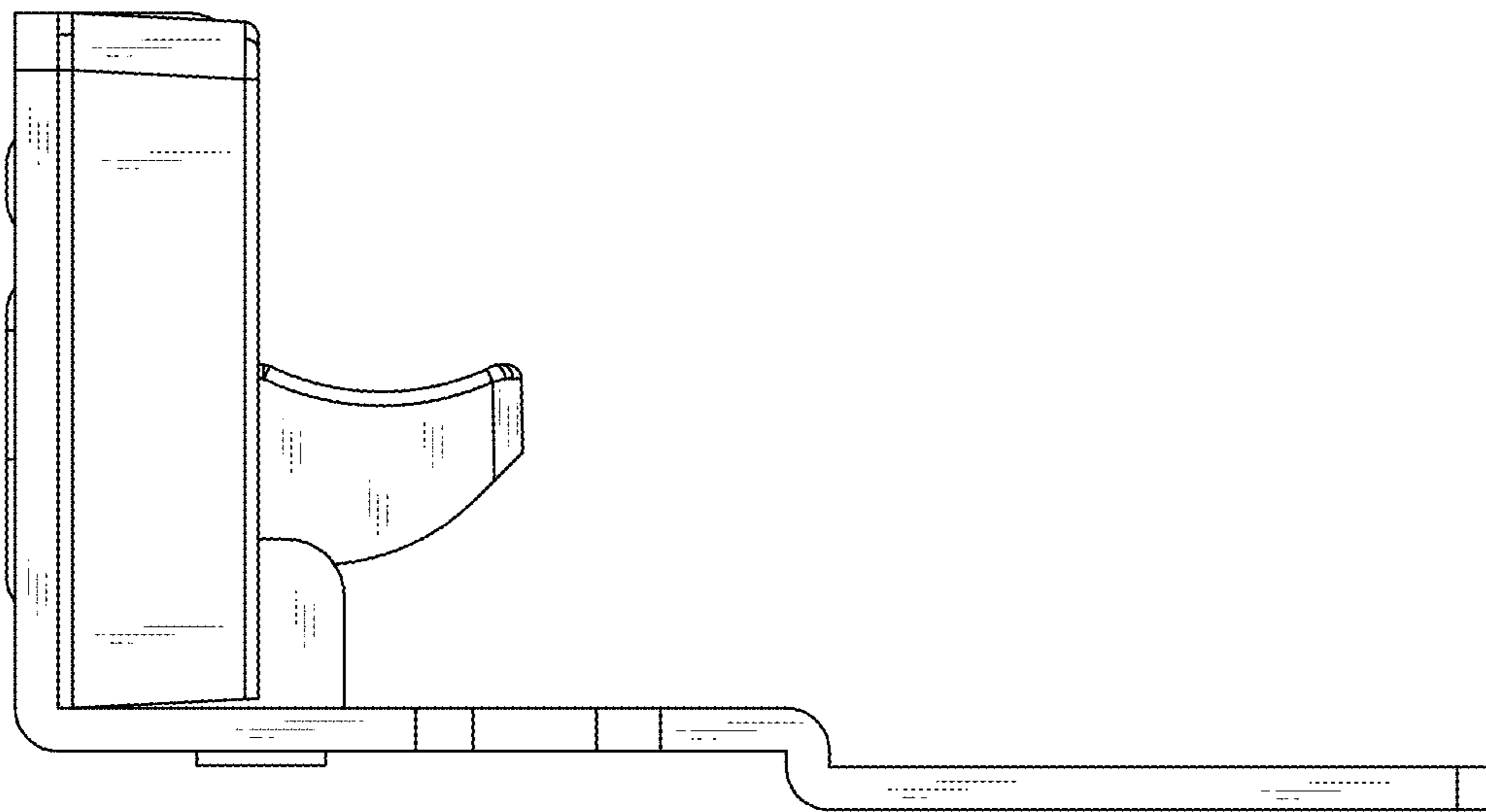


Fig. 7