



US00D884462S

(12) **United States Design Patent**
Huang et al.

(10) **Patent No.:** **US D884,462 S**

(45) **Date of Patent:** **** May 19, 2020**

(54) **HOOK**

(71) Applicants: **Te-Ming Huang**, New Taipei (TW); **Po Ting Huang**, New Taipei (TW)

(72) Inventors: **Te-Ming Huang**, New Taipei (TW); **Po Ting Huang**, New Taipei (TW)

(**) Term: **15 Years**

(21) Appl. No.: **29/691,243**

(22) Filed: **May 15, 2019**

(51) **LOC (12) Cl.** **08-05**

(52) **U.S. Cl.**
USPC **D8/367**

(58) **Field of Classification Search**
USPC D8/356, 354, 349, 367; 361/826;
24/16 PB; D12/420, 223; D3/207
CPC A63B 29/00; A63B 27/00; B63B 59/02;
B63B 21/045; H05K 5/0247
See application file for complete search history.

(56) **References Cited**

U.S. PATENT DOCUMENTS

D391,694 S	*	3/1998	Eichhorn	I19/784
D539,526 S	*	4/2007	Stein	D3/207
D573,875 S	*	7/2008	Anderson	D8/367
D767,975 S	*	10/2016	Jiang	D3/207
D767,977 S	*	10/2016	Man	D8/367

D769,104 S	*	10/2016	Reid	D8/356
9,840,183 B2	*	12/2017	Tolly	B60P 7/0846
D854,916 S	*	7/2019	Derr	D8/356
10,377,033 B2	*	8/2019	Moreau	A45F 5/021
10,383,429 B2	*	8/2019	Moreau	B25H 3/00
D861,327 S	*	10/2019	Osmanski	D3/207
D864,556 S	*	10/2019	Gendolfe	A45C 13/08
					D3/207
2009/0000086 A1	*	1/2009	Bing	F16B 45/06
					24/592.11

* cited by examiner

Primary Examiner — Cynthia R Underwood
(74) *Attorney, Agent, or Firm* — Lin & Associates
Intellectual Property, Inc.

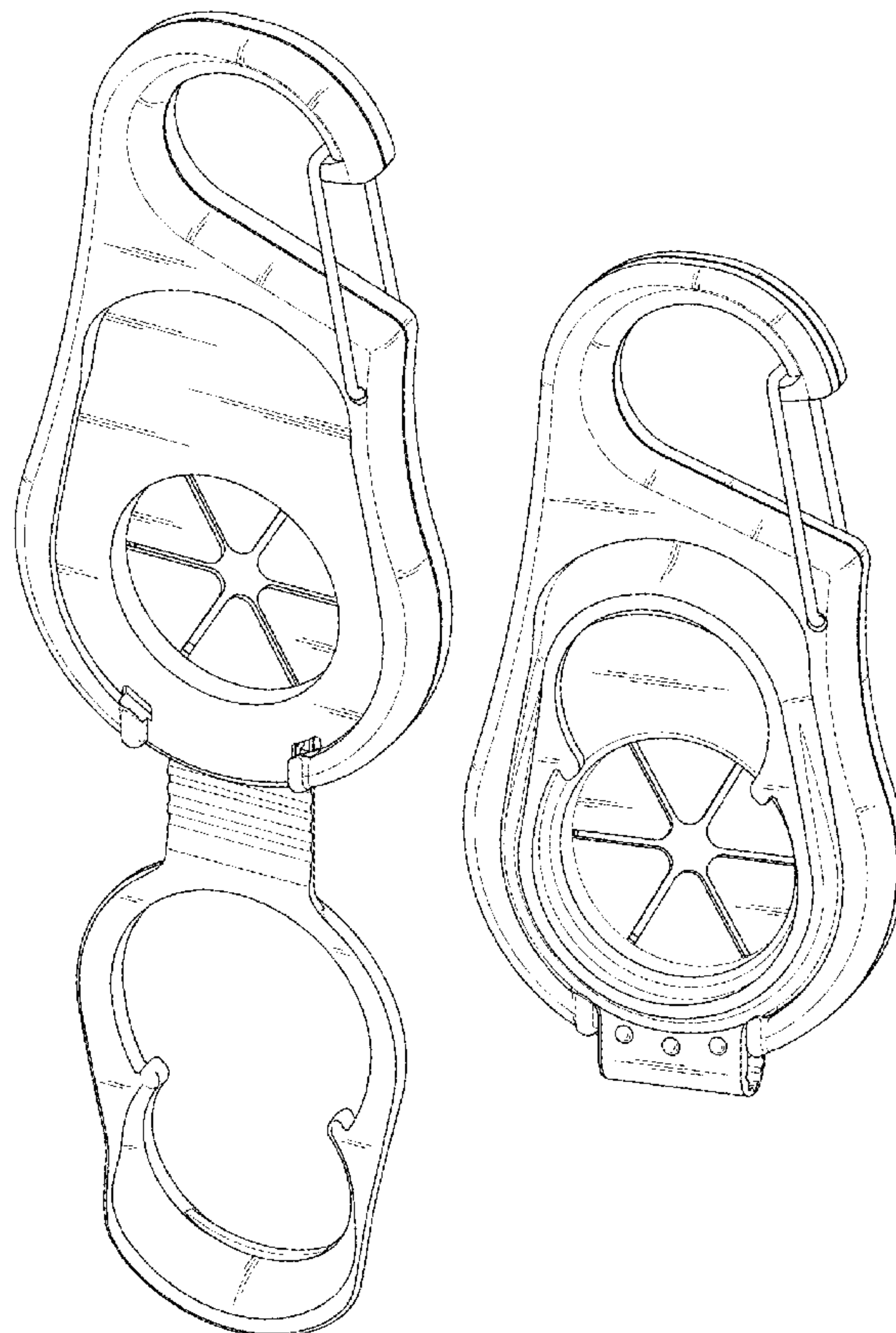
(57) **CLAIM**

The ornamental design for a hook, as shown and described.

DESCRIPTION

FIG. 1 is a perspective view of a Hook showing my new design;
FIG. 2 is a front elevational view thereof;
FIG. 3 is a rear elevational view thereof;
FIG. 4 is a left elevational view thereof;
FIG. 5 is a right elevational view thereof;
FIG. 6 is a top view thereof;
FIG. 7 is a bottom view thereof; and,
FIG. 8 is a perspective view of the Hook showing a folded state thereof.

1 Claim, 7 Drawing Sheets



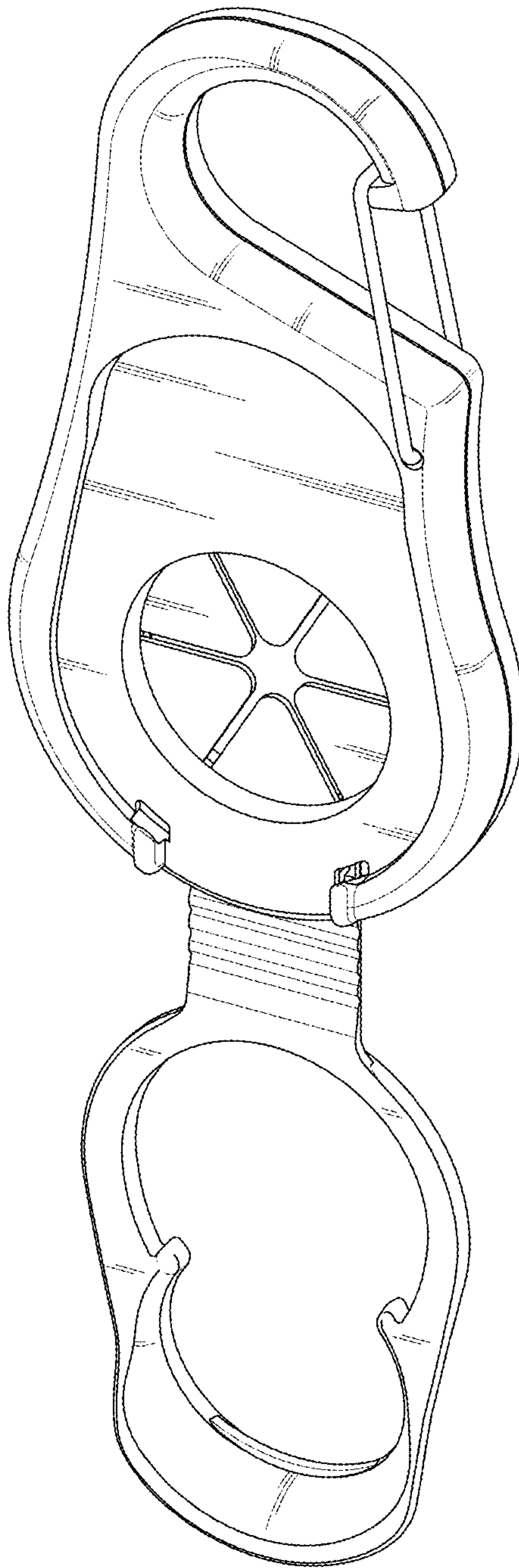


FIG. 1

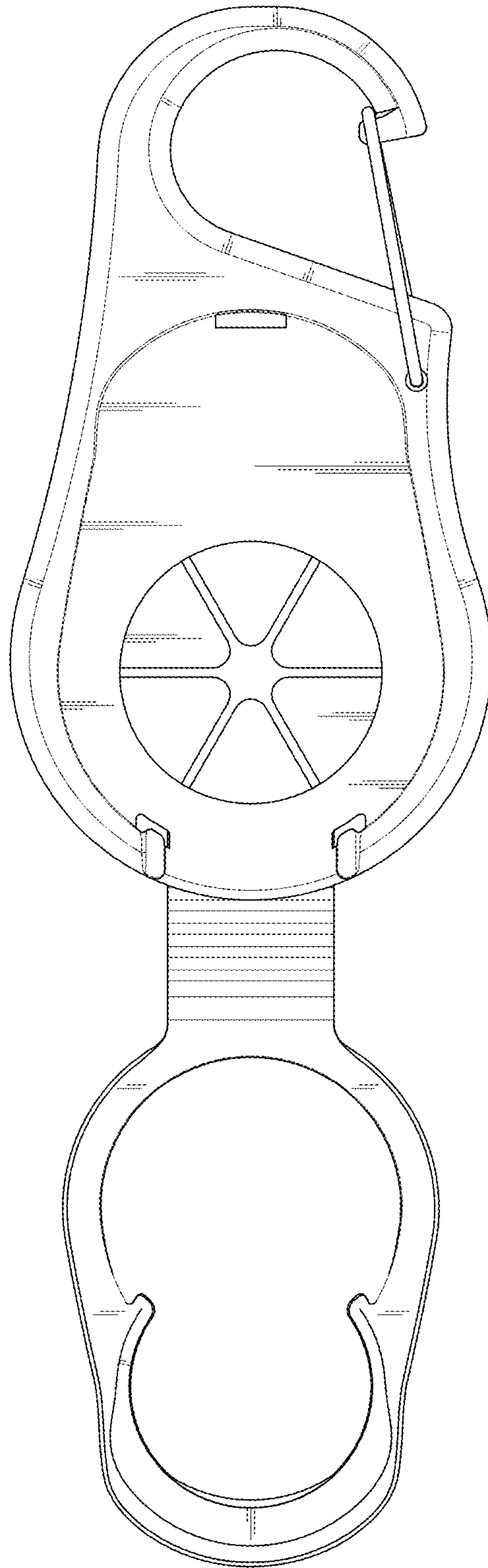


FIG. 2

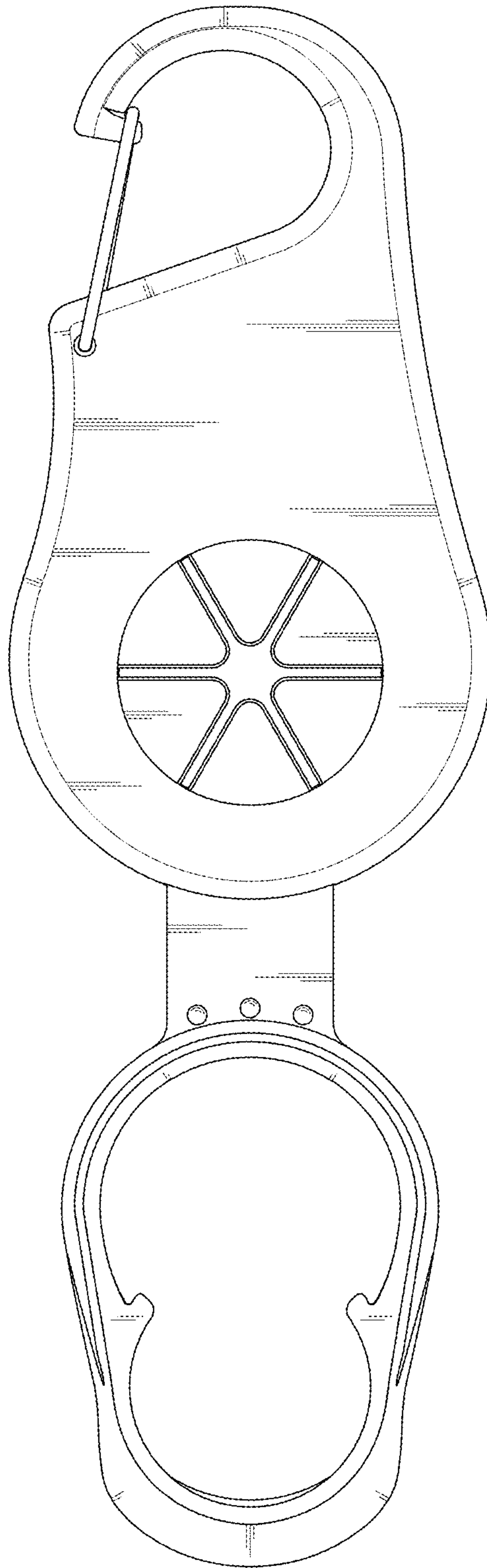


FIG. 3

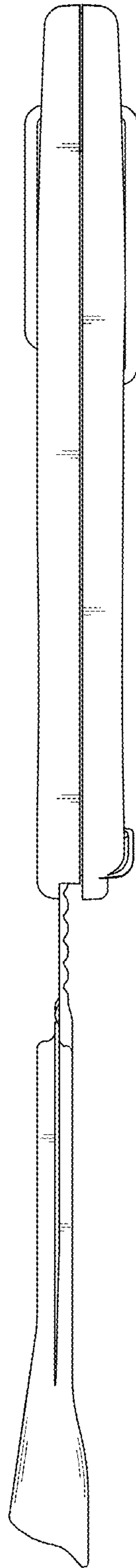


FIG. 4

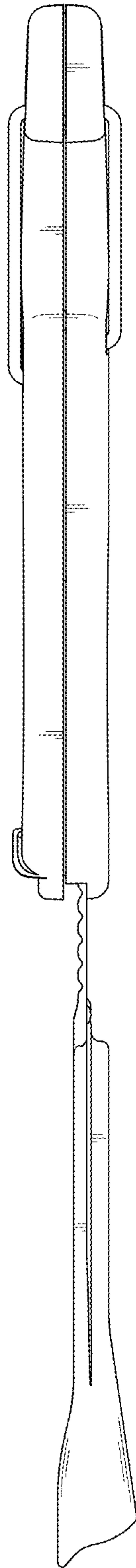


FIG. 5

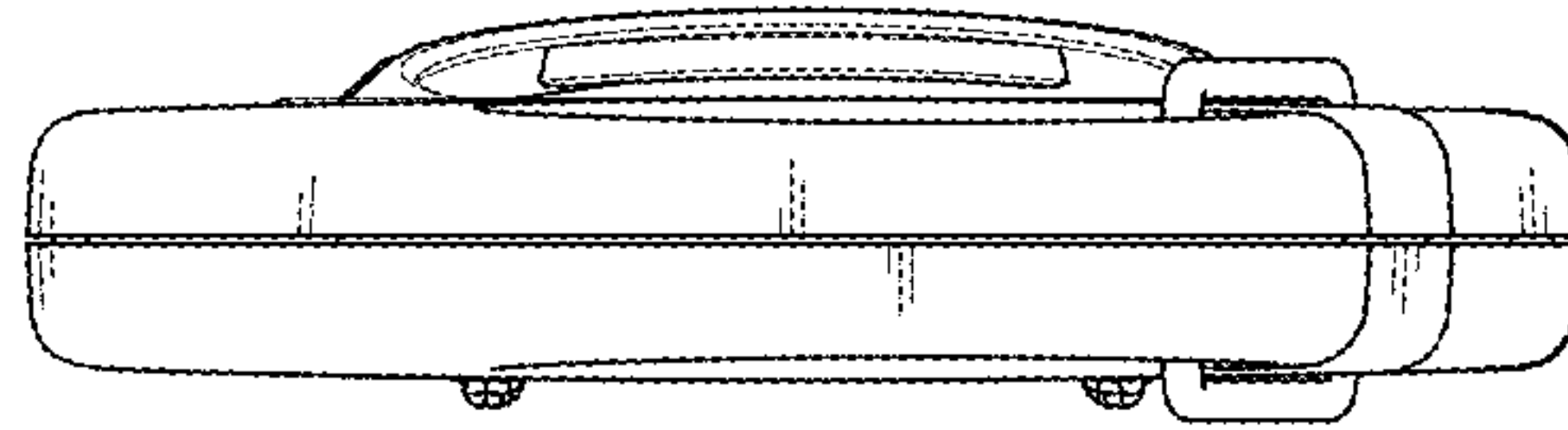


FIG. 6

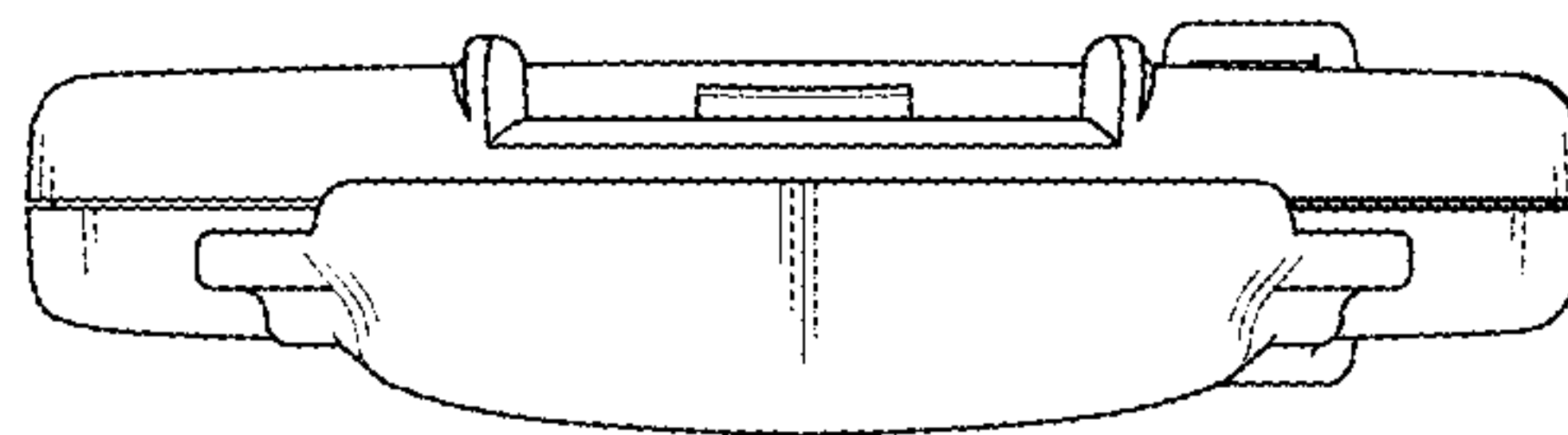


FIG. 7

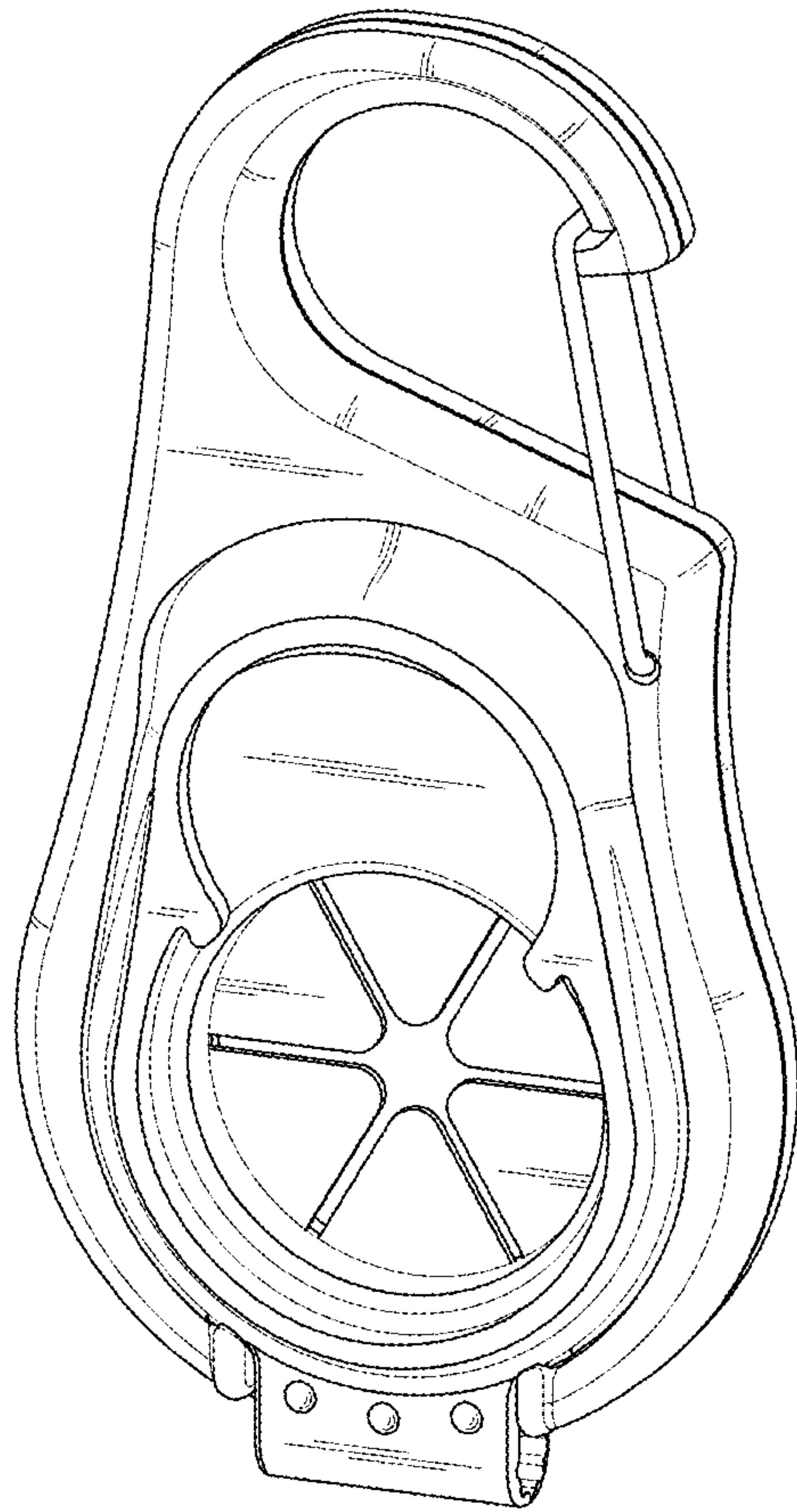


FIG. 8