



US00D884460S

(12) **United States Design Patent**  
**Culp et al.**

(10) **Patent No.:** **US D884,460 S**

(45) **Date of Patent:** **\*\* May 19, 2020**

(54) **CONDUIT BRACKET**

(71) Applicants: **Daniel Bryce Culp**, Hindsville, AR  
(US); **Kenny Lee Williams, Jr.**, Elkins,  
AR (US)

(72) Inventors: **Daniel Bryce Culp**, Hindsville, AR  
(US); **Kenny Lee Williams, Jr.**, Elkins,  
AR (US)

(\*\*) Term: **15 Years**

(21) Appl. No.: **29/656,574**

(22) Filed: **Jul. 13, 2018**

(51) **LOC (12) Cl.** ..... **08-05**

(52) **U.S. Cl.**  
USPC ..... **D8/354**

(58) **Field of Classification Search**  
USPC ..... D8/349, 354, 355, 380; D25/119, 164,  
D25/199; D13/153  
CPC ..... F16L 3/221; F16L 3/127; F16L 3/2235;  
F16L 3/00; F16L 3/223; F16L 3/01  
See application file for complete search history.

(56) **References Cited**

**U.S. PATENT DOCUMENTS**

5,740,994	A *	4/1998	Laughlin	.....	F16L 3/23 248/58
D615,848	S *	5/2010	Prichard	.....	D8/354
D653,524	S *	2/2012	Meyer	.....	D6/567
8,523,119	B1 *	9/2013	Greer	.....	E03D 11/143 248/224.8
D830,153	S *	10/2018	Sadofsky	.....	D8/354
2013/0161468	A1 *	6/2013	Chen	.....	H05K 7/1489 248/298.1
2013/0248660	A1 *	9/2013	Magno, Jr.	.....	F16L 3/227 248/59

2016/0327187 A1\* 11/2016 Brown ..... F16L 3/13  
2018/0283583 A1\* 10/2018 Dalisay ..... H02G 3/263  
2019/0098790 A1\* 3/2019 Mordick ..... H05K 7/1491  
2019/0391354 A1\* 12/2019 Sedor ..... G02B 6/4452

\* cited by examiner

*Primary Examiner* — Lauren R Calve  
(74) *Attorney, Agent, or Firm* — Keisling + Pieper PLC;  
David B. Pieper

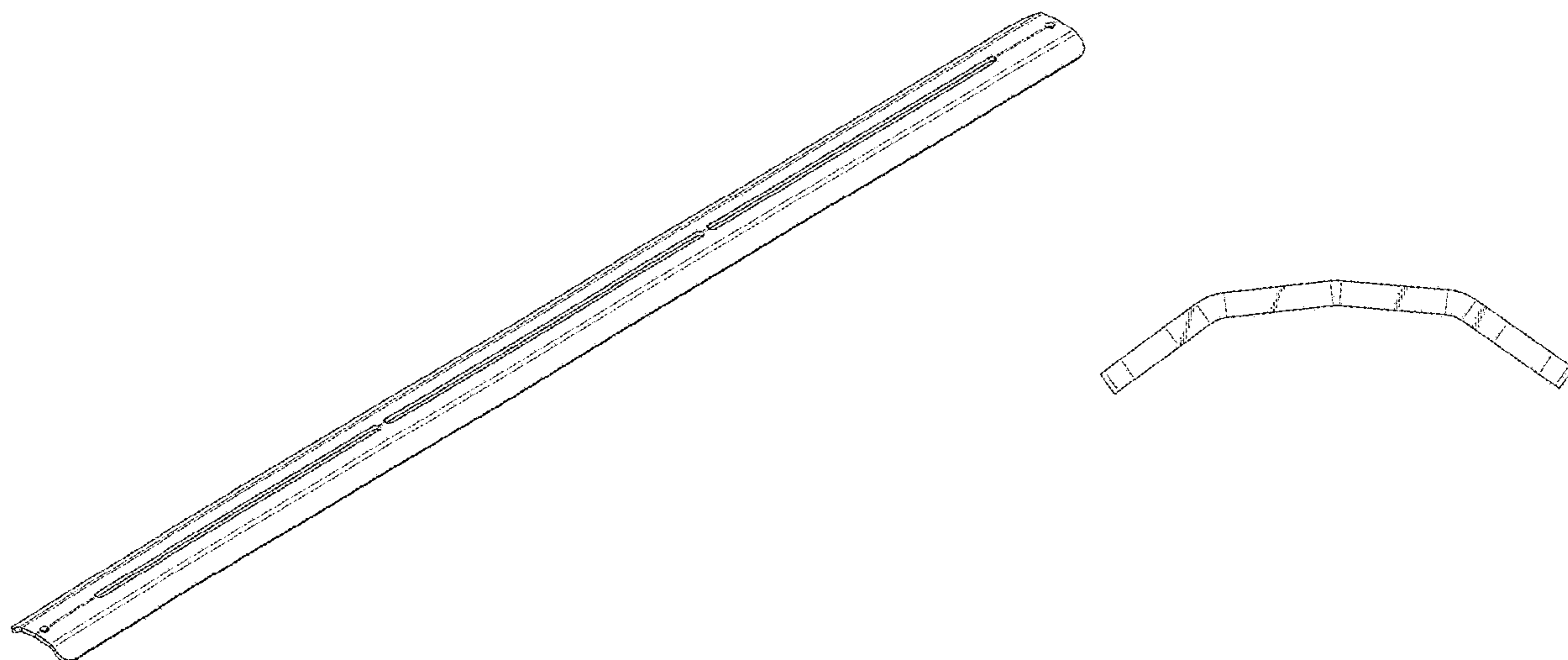
(57) **CLAIM**

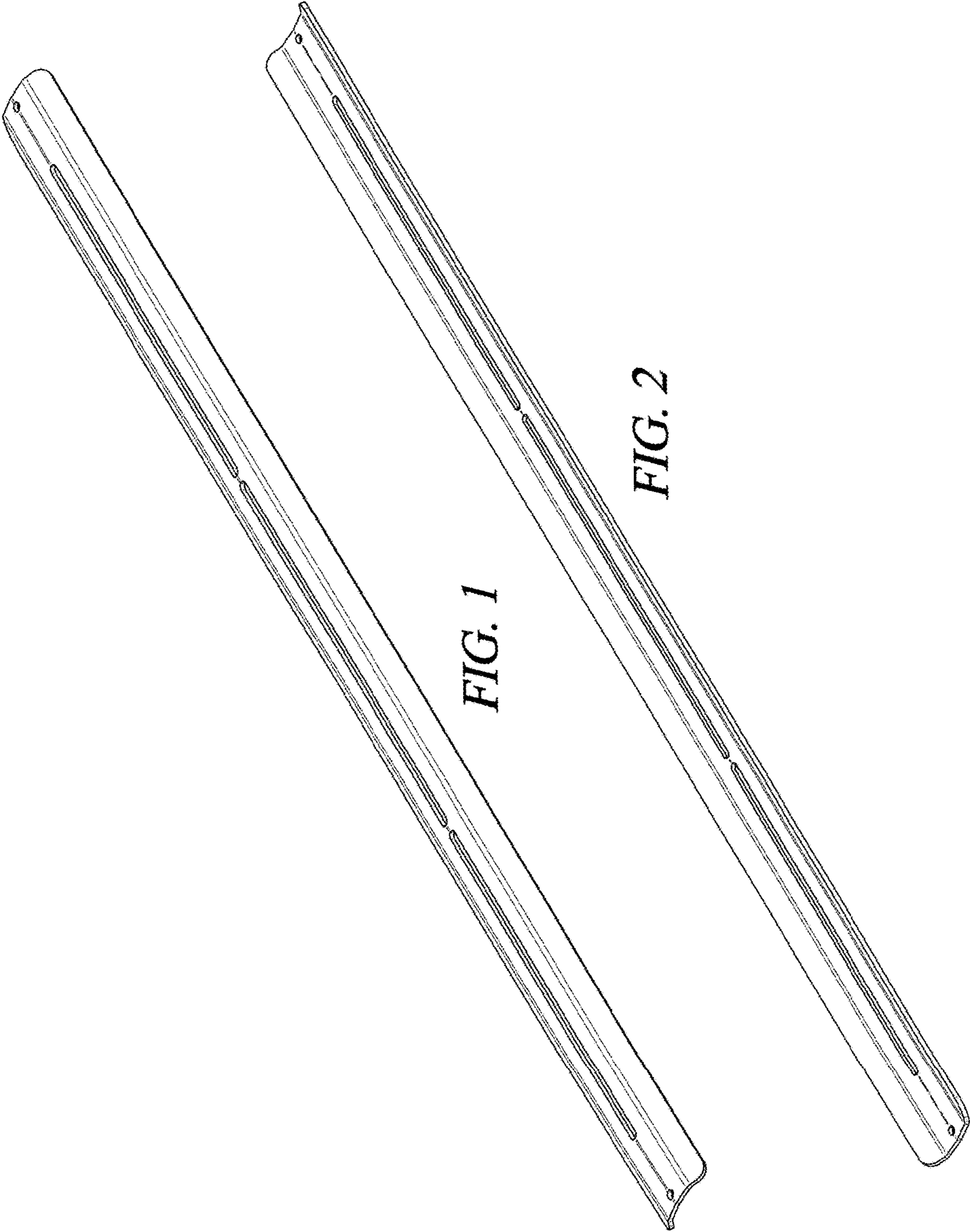
The ornamental design for a conduit bracket, as shown and described.

**DESCRIPTION**

FIG. 1 is a first perspective view of a conduit bracket showing our new design;  
FIG. 2 is a second perspective view thereof;  
FIG. 3 is a top view thereof;  
FIG. 4 is a front view thereof, the back view being a mirror image thereof;  
FIG. 5 is a bottom view thereof; and,  
FIG. 6 is a partial enlarged front view thereof according to the broken circle "6" in FIG. 4;  
FIG. 7 is a cross-sectional view of the conduit bracket according to line 7-7 in FIG. 6;  
FIG. 8 is a left side view of the conduit bracket in the direction of the arrows "8" in FIG. 6, the right side view being a mirror image thereof; and,  
FIG. 9 is a perspective environmental view of the conduit bracket.  
The broken lines showing the electrical conduit tubes and U bolts are for the purpose of illustrating environmental structure and form no part of the claimed design.

**1 Claim, 3 Drawing Sheets**





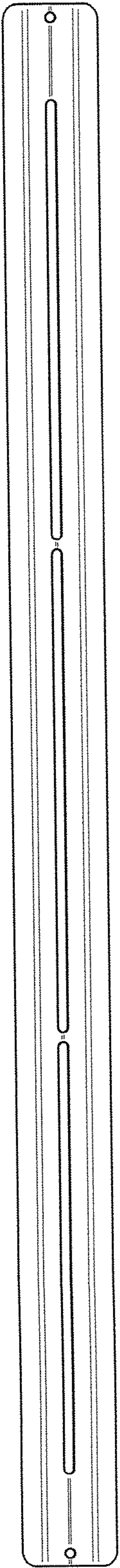


FIG. 3

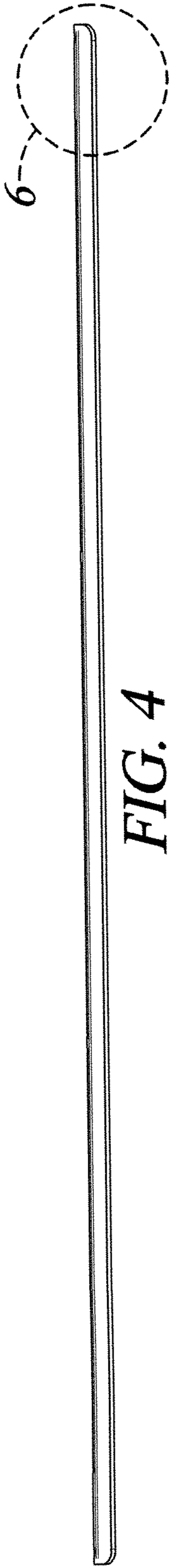


FIG. 4

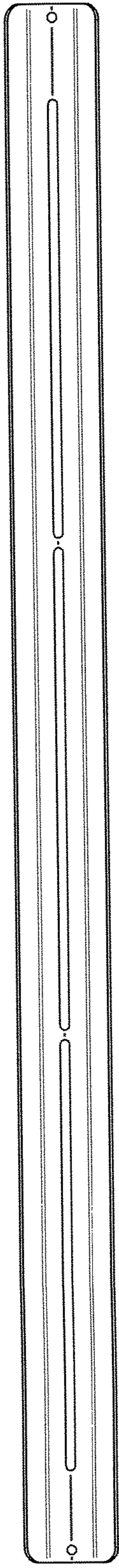


FIG. 5

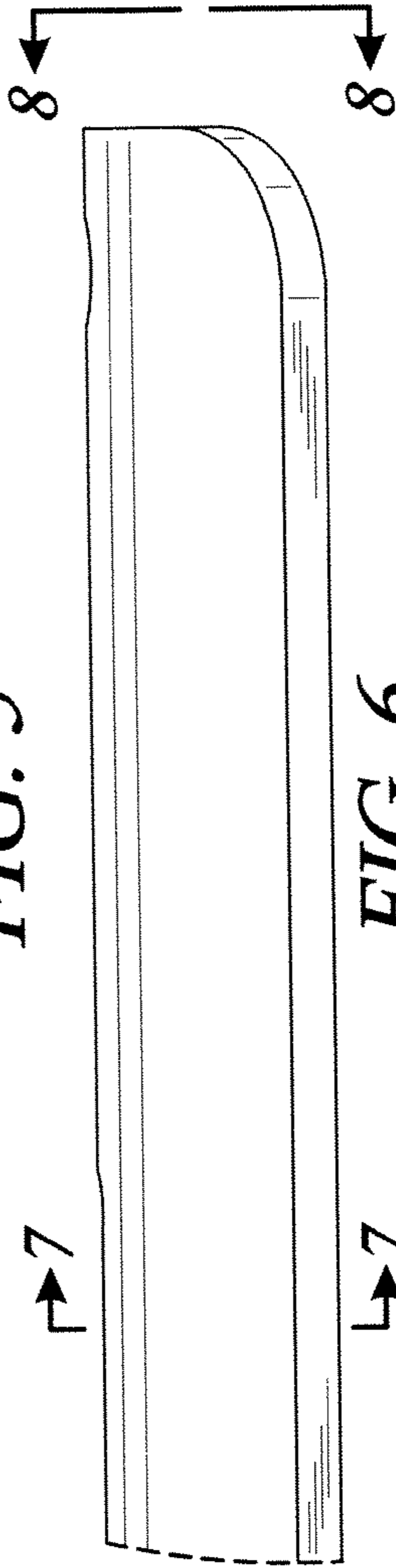


FIG. 6

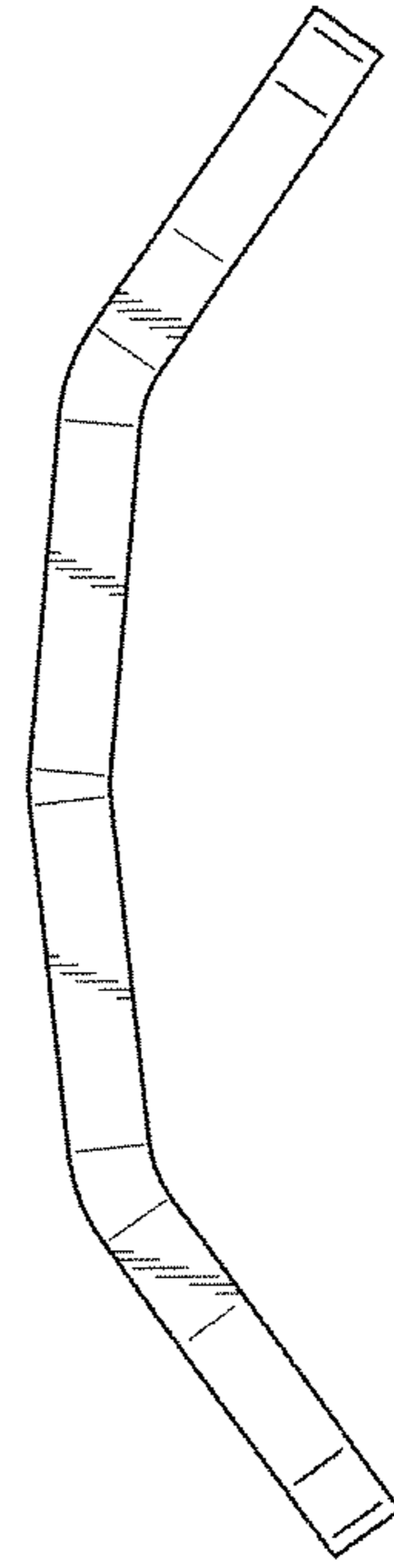


FIG. 8

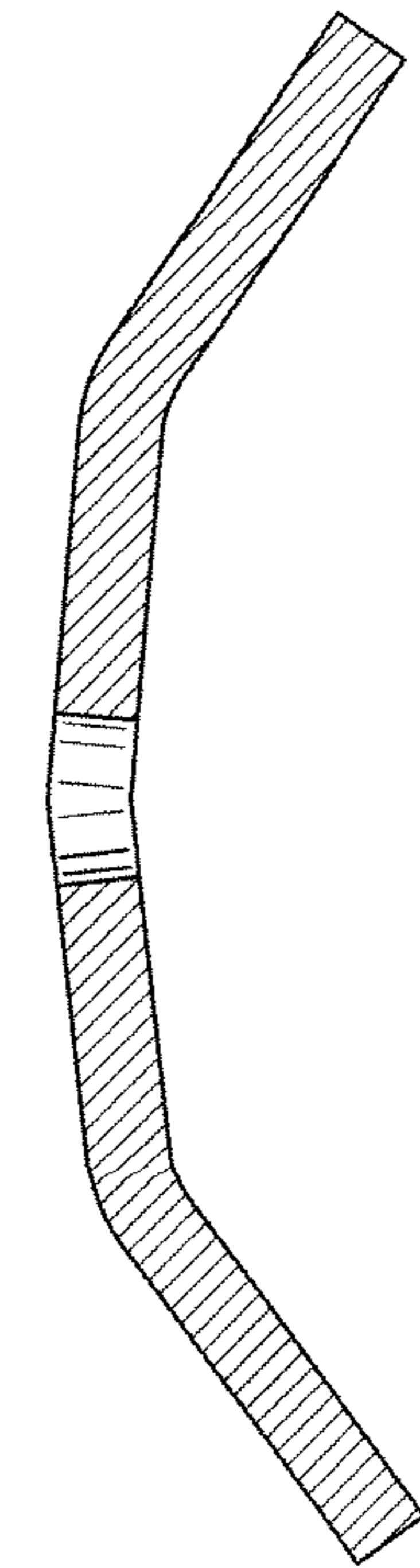
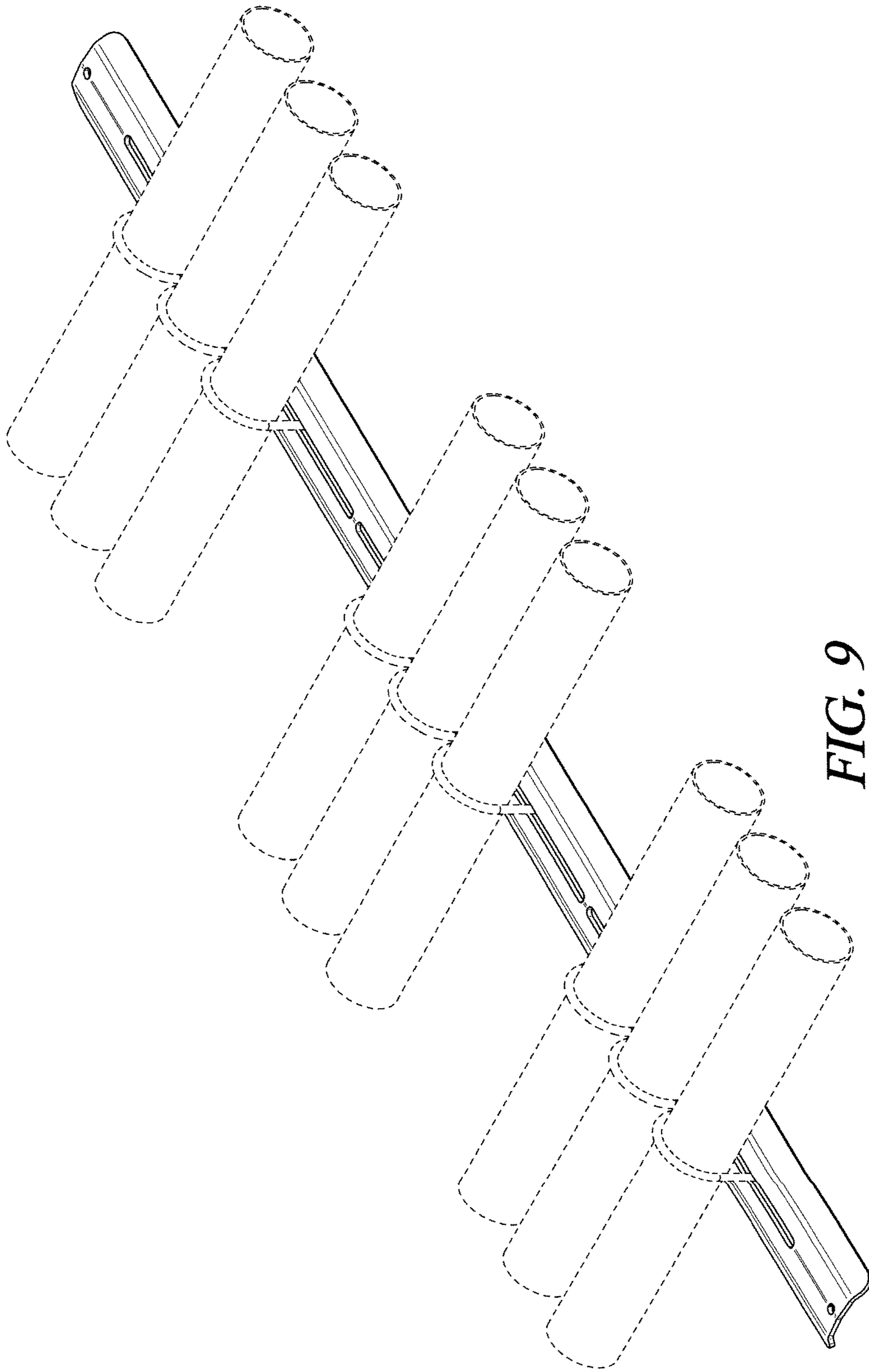


FIG. 7



**FIG. 9**