



US00D884457S

(12) **United States Design Patent** (10) **Patent No.:** **US D884,457 S**
Roberts, III et al. (45) **Date of Patent:** **** May 19, 2020**

(54) **DUO DECORATIVE ROSE**
(71) Applicant: **Schlage Lock Company LLC**, Carmel, IN (US)

D793,846 S * 8/2017 Armstrong, Jr. D13/156
D802,395 S * 11/2017 Hsu D8/330
D833,254 S * 11/2018 Karnani D8/330
D839,661 S * 2/2019 Seiders D7/388

(72) Inventors: **Rockwood T. Roberts, III**, Carmel, IN (US); **Minjoo A. Han**, Chantilly, VA (US)

OTHER PUBLICATIONS

Cayman Lever, EMTEK ASSA ABLOY, printed on Mar. 13, 2018, 1 page, also available at <http://emtek.com/passage-privacy-levers/cayman>.

(73) Assignee: **Schlage Lock Company LLC**, Carmel, IN (US)

RE.3100, Ashley Norton Architectural Hardware, printed on Mar. 13, 2018, 2 pages, also available at <http://www.ashleynorton.com/product-details/levers-on-rose-re3100.aspx>, copyright Ashley Norton.

(**) Term: **15 Years**

* cited by examiner

(21) Appl. No.: **29/645,209**

Primary Examiner — Mark A Goodwin

(22) Filed: **Apr. 24, 2018**

Assistant Examiner — Benjamin M Weeks

(51) **LOC (12) Cl.** **11-05**

(74) *Attorney, Agent, or Firm* — Taft Stettinius & Hollister LLP

(52) **U.S. Cl.**

USPC **D8/353**

(58) **Field of Classification Search**

USPC D8/353, 330, 331, 336, 338, 339, 340, D8/343, 350–352, 300, 301

CPC G05B 15/00; E05B 49/00; E05B 49/02; E05B 9/00; E05B 17/00; E05B 37/00; E05B 3/00; E05B 13/103; E05B 1/00; E05B 47/00

See application file for complete search history.

(57) **CLAIM**

The ornamental design for a duo decorative rose, as shown and described.

DESCRIPTION

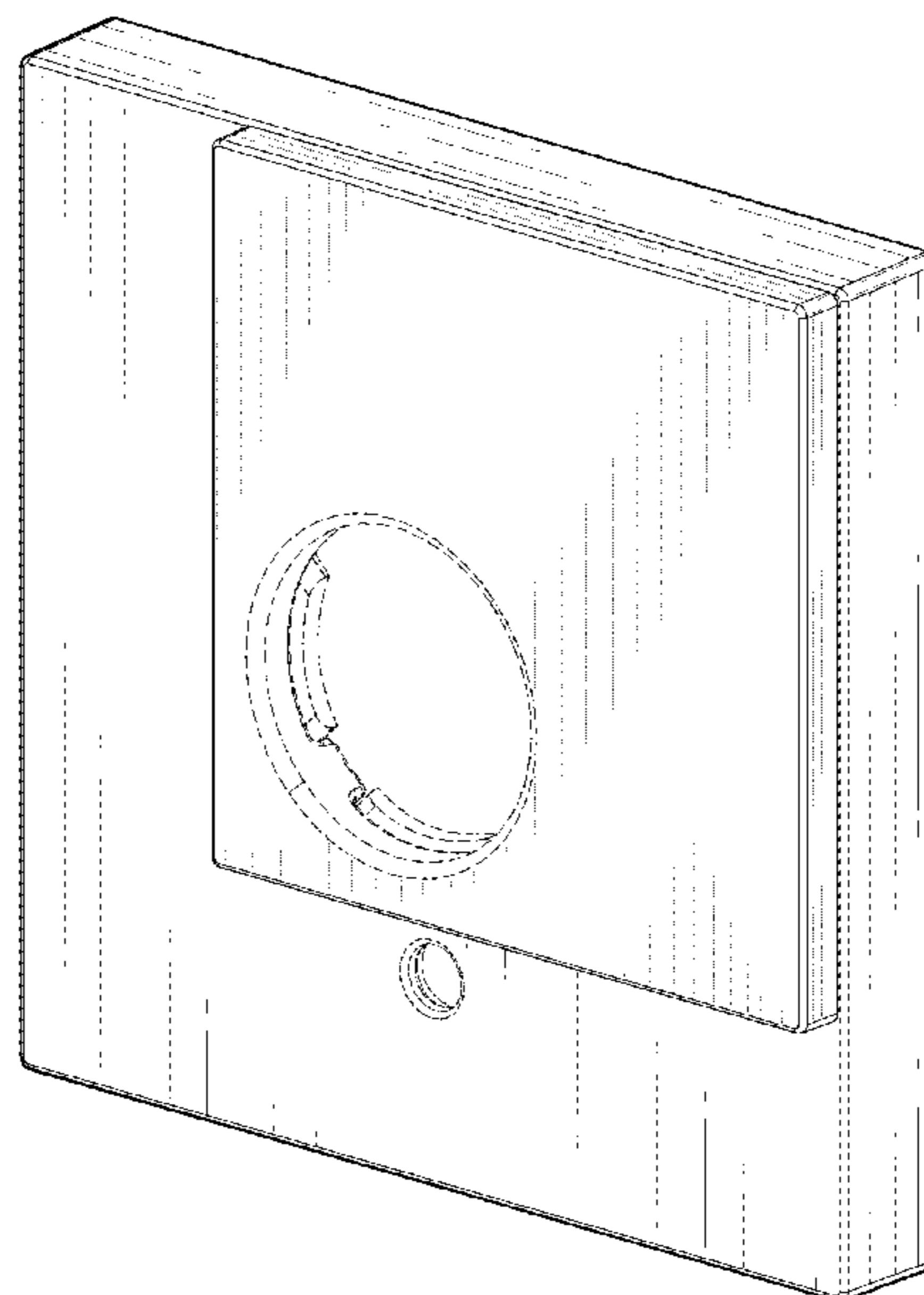
FIG. 1 is a top, front, right side perspective view of the duo decorative rose showing our new design; FIG. 2 is a bottom, front, left side perspective view thereof; FIG. 3 is a front elevational view thereof; FIG. 4 is a left side elevational view thereof; FIG. 5 is a right side elevational view thereof; FIG. 6 is a top plan view thereof; FIG. 7 is a bottom plan view thereof; and, FIG. 8 is a top, front, right side perspective view of the duo decorative rose illustrating the front plate element in an alternate position relative to the rear base element. The broken lines in the drawing figures depict unclaimed subject matter and form no part of the claimed design.

(56) **References Cited**

U.S. PATENT DOCUMENTS

D214,615 S * 7/1969 Patriquin D8/353
D271,374 S * 11/1983 Butts D8/353
D328,453 S * 8/1992 Naumann D13/152
D459,312 S * 6/2002 Roesch D13/152
D736,590 S * 8/2015 Roberts, III D8/330
D756,747 S * 5/2016 Wu D8/352
D756,749 S * 5/2016 Lu D8/331
D772,691 S * 11/2016 Han D8/330
D788,569 S * 6/2017 Karnani D8/330

1 Claim, 5 Drawing Sheets



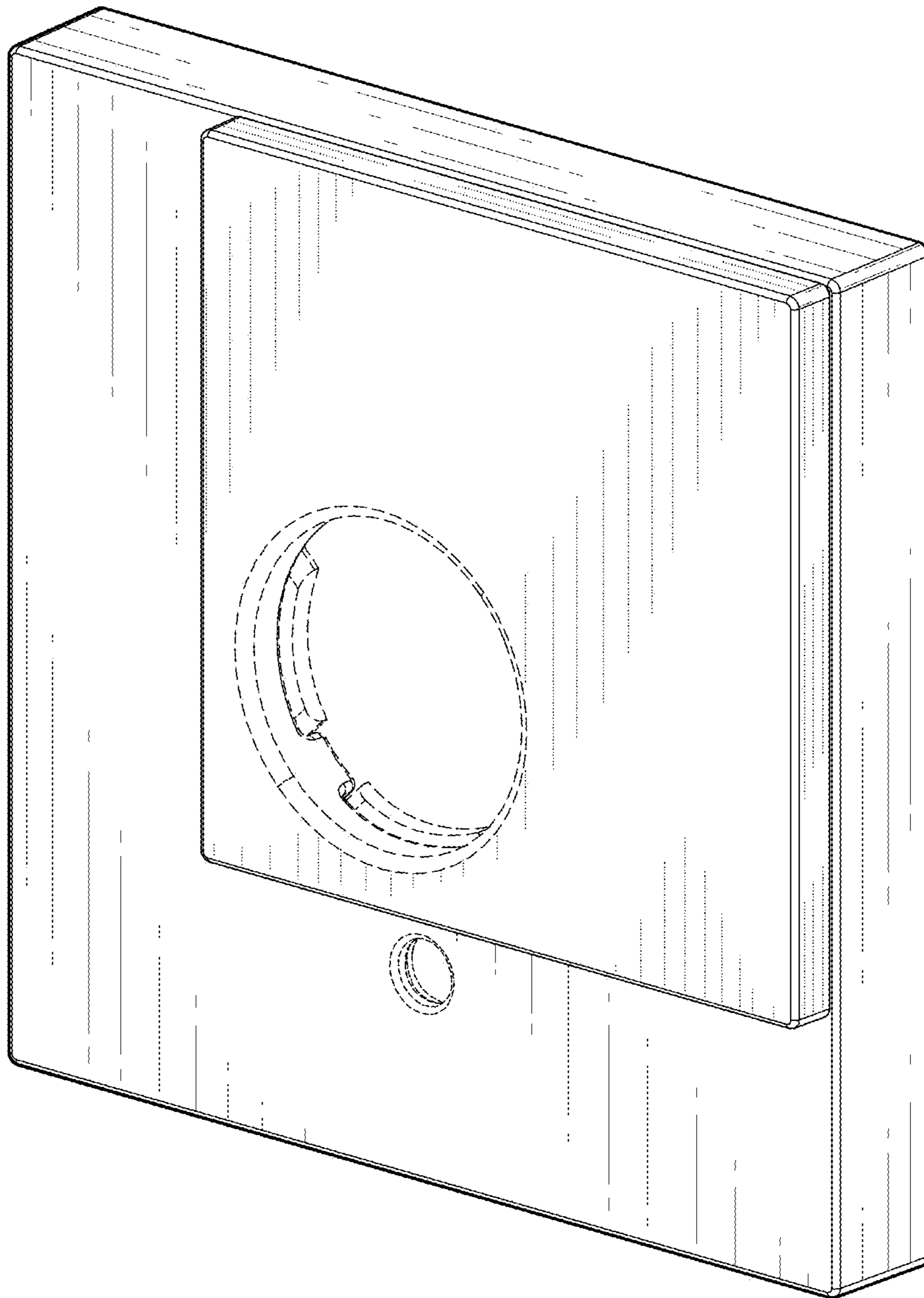


Fig. 1

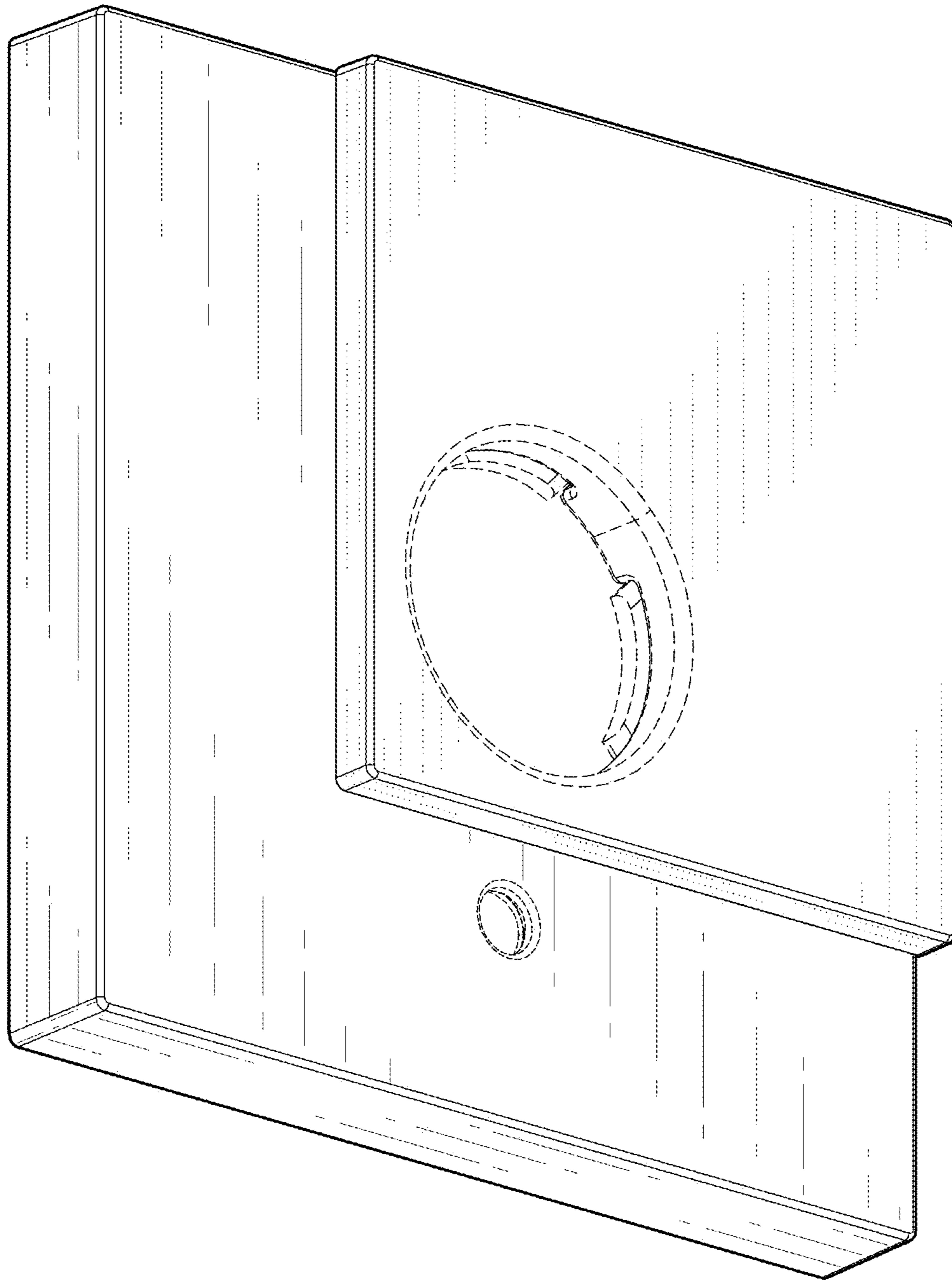


Fig. 2

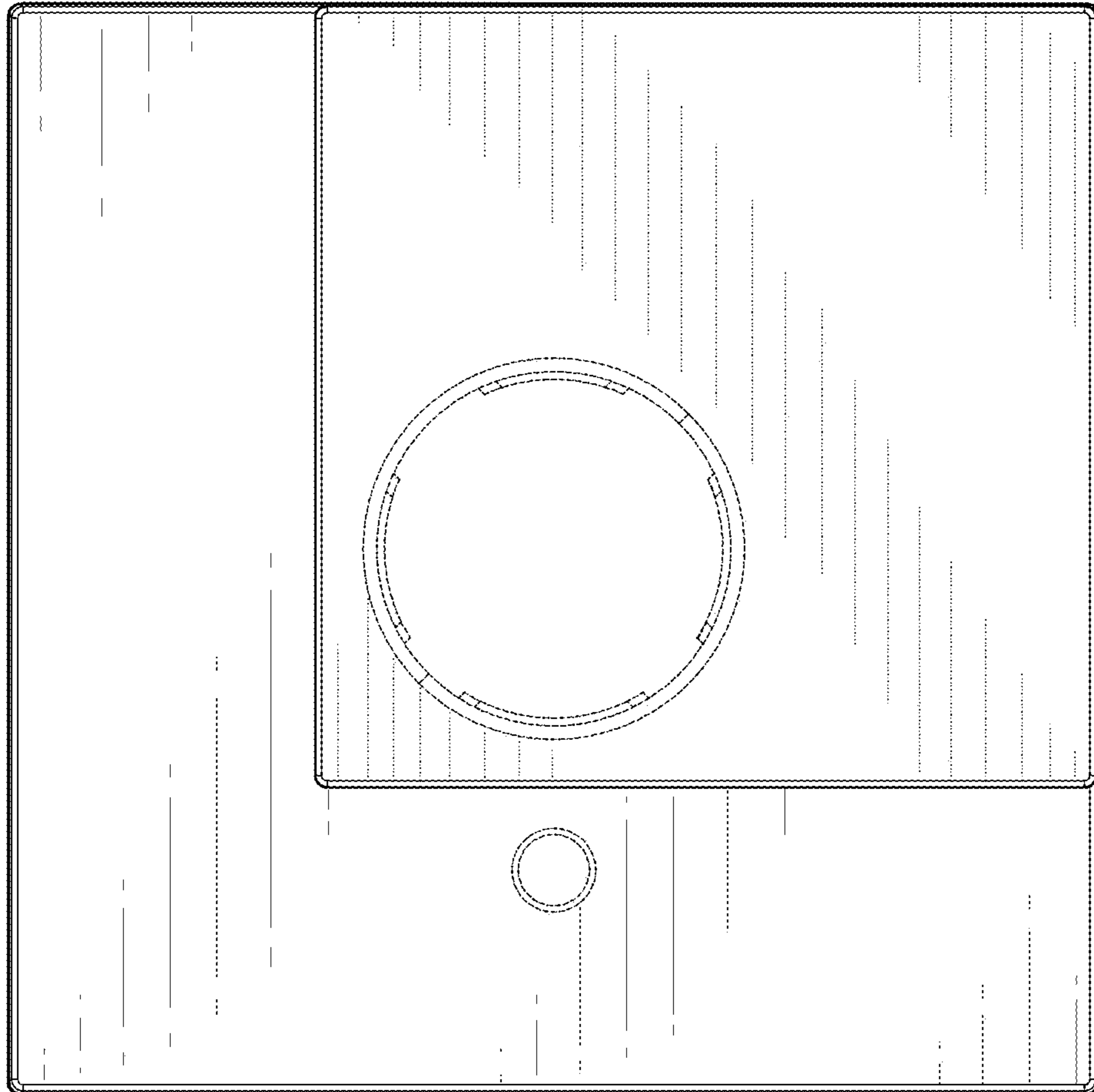


Fig. 3

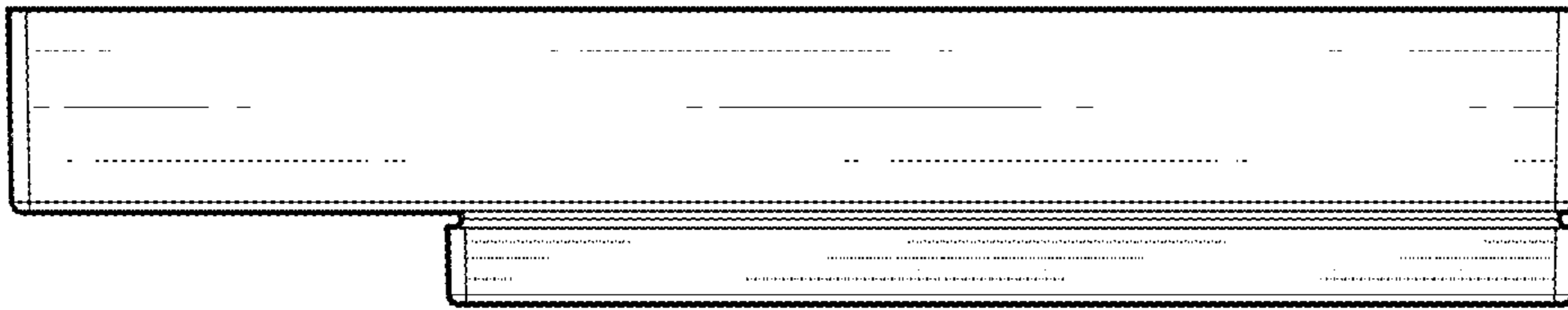


Fig. 6

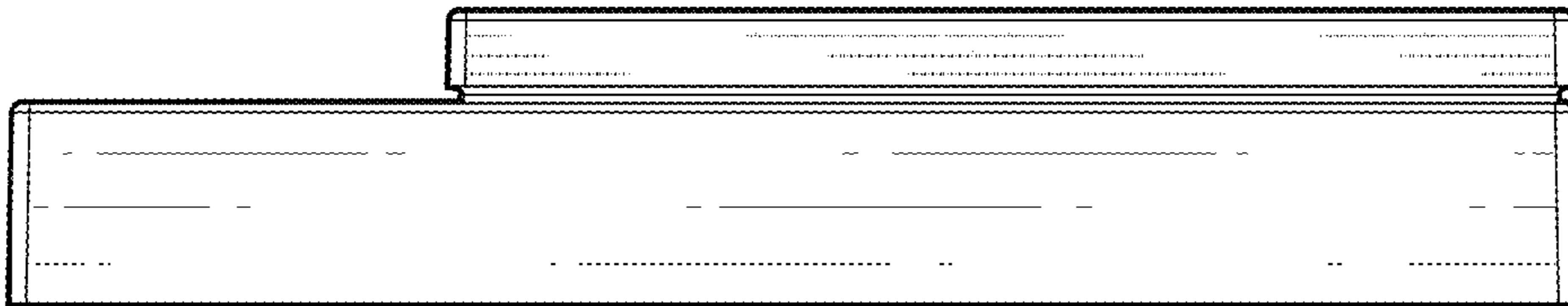


Fig. 7

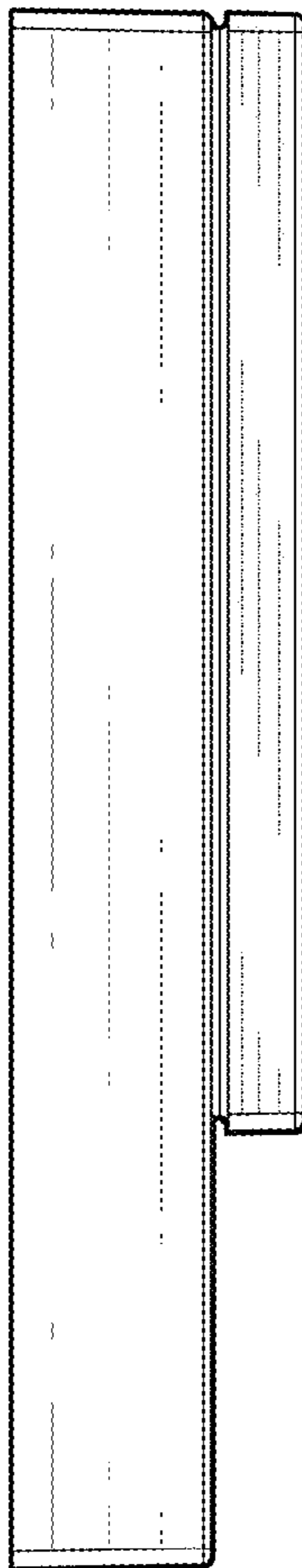


Fig. 4

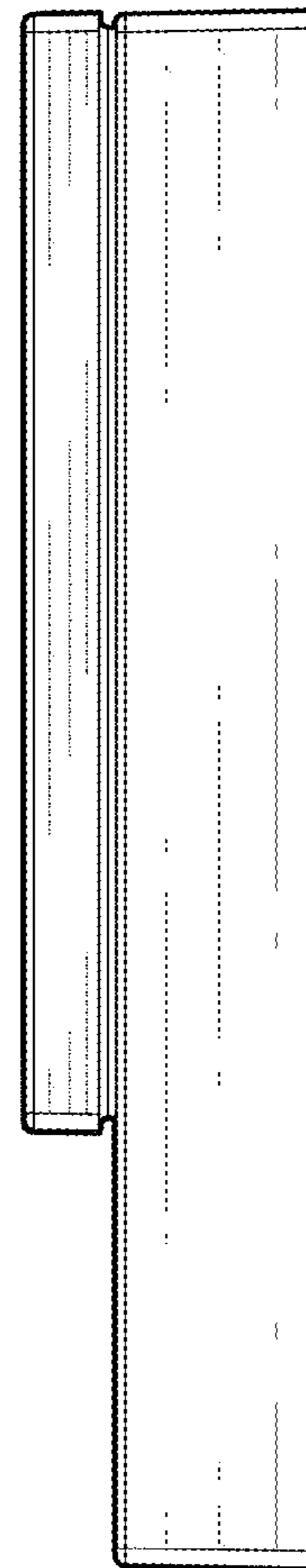


Fig. 5

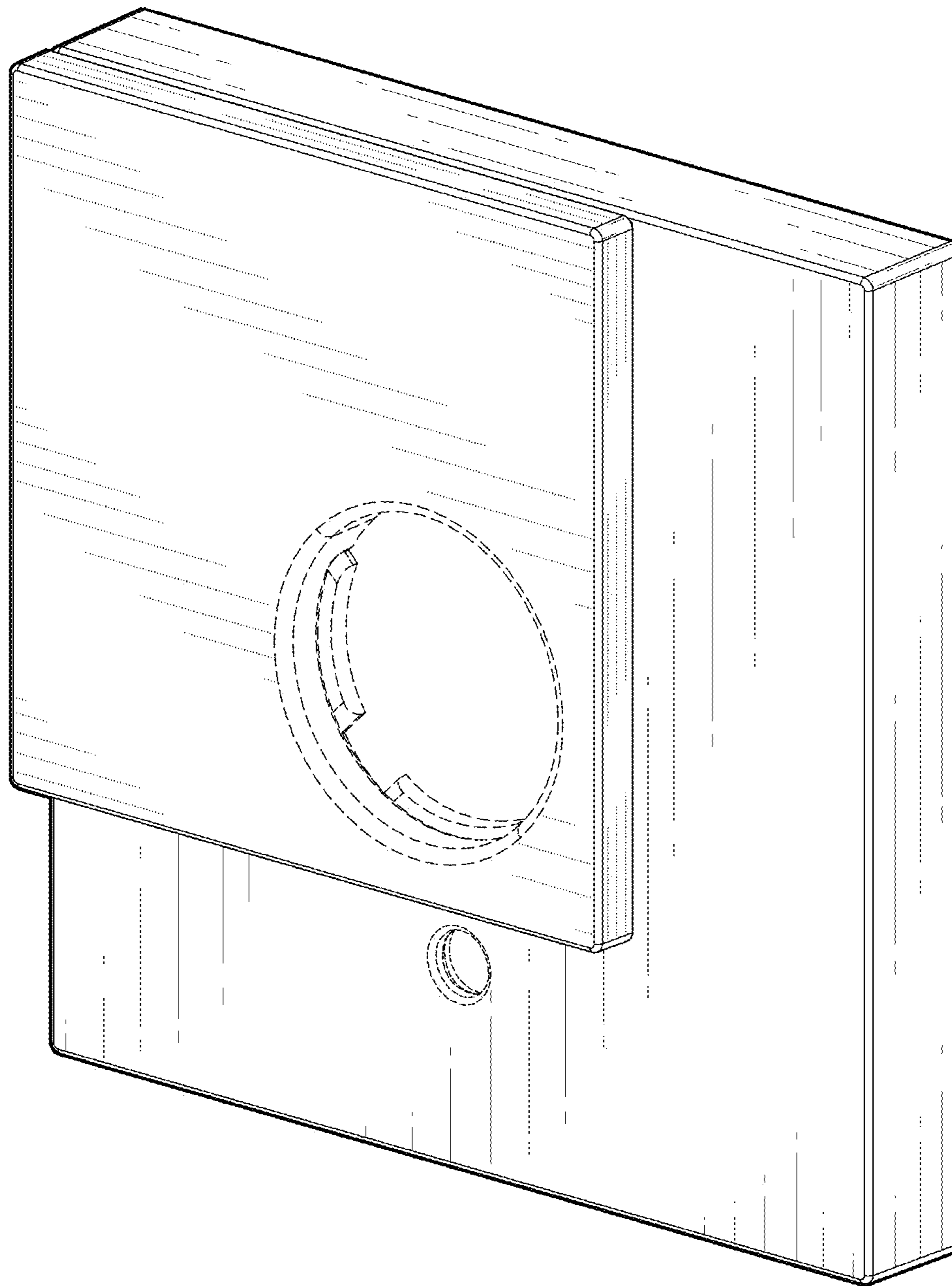


Fig. 8