



US00D884456S

(12) **United States Design Patent**
Li

(10) **Patent No.:** **US D884,456 S**

(45) **Date of Patent:** **** May 19, 2020**

(54) **PORTABLE DOOR LOCK**

(71) Applicant: **SHENZHEN TWO THOUSAND AND SIXTEEN TECHNOLOGY CO., LTD.**, Shenzhen (CN)

(72) Inventor: **Ling Li**, Shenzhen (CN)

(**) Term: **15 Years**

(21) Appl. No.: **29/709,234**

(22) Filed: **Oct. 11, 2019**

(51) **LOC (12) Cl.** **08-07**

(52) **U.S. Cl.**
USPC **D8/331**

(58) **Field of Classification Search**
USPC D8/321, 330, 331, 336, 338, 339, 340, D8/341, 342, 343
CPC E05C 19/18; E05C 19/182; E05C 19/184; E05C 3/00; E05C 3/06; Y10T 292/34; Y10T 292/373; Y10T 292/379; Y10T 292/394

See application file for complete search history.

(56) **References Cited**

U.S. PATENT DOCUMENTS

- D174,171 S * 3/1955 Foreman et al. D8/340
- 2,867,468 A * 1/1959 Bugge E05C 17/365
292/264
- 3,432,199 A * 3/1969 Sorrell E05C 19/182
292/292
- D227,410 S * 6/1973 Yip et al. D8/332
- 3,788,107 A * 1/1974 Lippman E05C 17/365
70/93
- 3,913,962 A * 10/1975 Briggs E05C 19/182
292/292
- D244,174 S * 5/1977 Sankey D8/331
- 4,105,231 A * 8/1978 Huyssen E05C 17/365
292/264
- 4,169,619 A * 10/1979 McCracken E05C 19/182
292/290

- D256,551 S * 8/1980 Webb 292/264
- D272,411 S * 1/1984 Yarosz D8/331
- 4,589,692 A * 5/1986 Boyd E05C 19/182
292/297
- 4,653,786 A * 3/1987 Bopst, III E05C 19/182
292/295
- 4,693,097 A * 9/1987 Rivera E05B 67/38
24/116 R
- 4,878,701 A * 11/1989 Rondel E05C 19/182
292/288
- 4,898,411 A * 2/1990 Ocello E05C 19/18
292/292
- 4,917,422 A * 4/1990 Rose E05C 19/182
292/264
- D329,799 S * 9/1992 Conklin D8/331
- 5,193,866 A * 3/1993 Driskill E05C 19/182
292/292
- D343,565 S * 1/1994 Turner D8/331
- 5,285,666 A * 2/1994 Bartnicki E05C 17/365
292/264

(Continued)

Primary Examiner — Eric L Goodman

Assistant Examiner — Steven J Czyz

(74) *Attorney, Agent, or Firm* — Erson IP (Nelson IP)

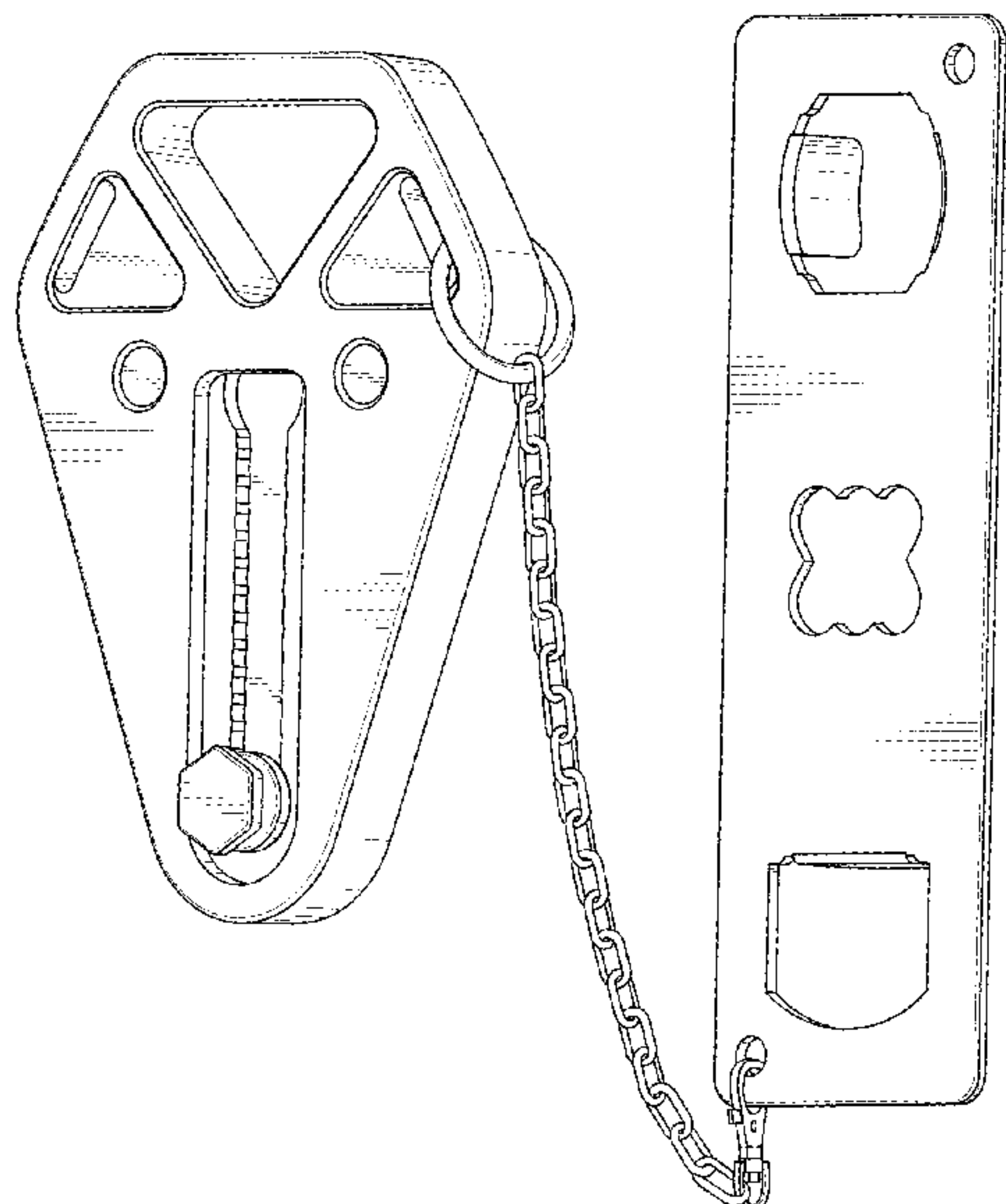
(57) **CLAIM**

The ornamental design for a portable door lock, as shown and described.

DESCRIPTION

FIG. 1 is a perspective view of a portable door lock showing my new design;
FIG. 2 is another perspective view thereof;
FIG. 3 is a front view thereof;
FIG. 4 is a rear view thereof;
FIG. 5 is a left side view thereof;
FIG. 6 is a right side view thereof;
FIG. 7 is a top plan view thereof; and,
FIG. 8 is a bottom plan view thereof.

1 Claim, 8 Drawing Sheets



(56)

References Cited

U.S. PATENT DOCUMENTS

5,325,685 A * 7/1994 Frank E05C 19/182
 292/292
 5,542,723 A * 8/1996 Scharf E05C 17/54
 292/258
 5,551,739 A * 9/1996 Solis E05C 17/365
 292/264
 5,664,814 A * 9/1997 Lin E05C 19/182
 292/288
 5,810,404 A * 9/1998 Horne E05C 19/182
 292/288
 6,327,878 B1 * 12/2001 Levenson E05C 19/182
 292/288
 6,409,236 B1 * 6/2002 Steele E05C 19/182
 292/291
 6,416,089 B1 * 7/2002 Williams, Jr. E05C 19/182
 292/288
 D511,958 S * 11/2005 Mastrogiovanni D8/330
 6,976,716 B2 * 12/2005 Lin E05C 19/182
 292/288
 D540,151 S * 4/2007 Ebersole D8/343
 7,216,902 B2 * 5/2007 Marra E05C 19/182
 292/251.5
 7,419,197 B1 * 9/2008 Leith E05C 19/182
 292/288
 7,980,605 B1 * 7/2011 Fuhrman E05C 19/182
 292/258
 D649,014 S * 11/2011 Stuckey D8/343
 D675,900 S * 2/2013 Lin D8/339
 D719,436 S * 12/2014 Roggero D8/330
 D763,057 S * 8/2016 Soper D8/330
 D779,307 S * 2/2017 Nix D8/330
 9,650,812 B2 * 5/2017 Denison E05B 47/0012
 10,151,127 B1 * 12/2018 Shell E05C 19/182

* cited by examiner

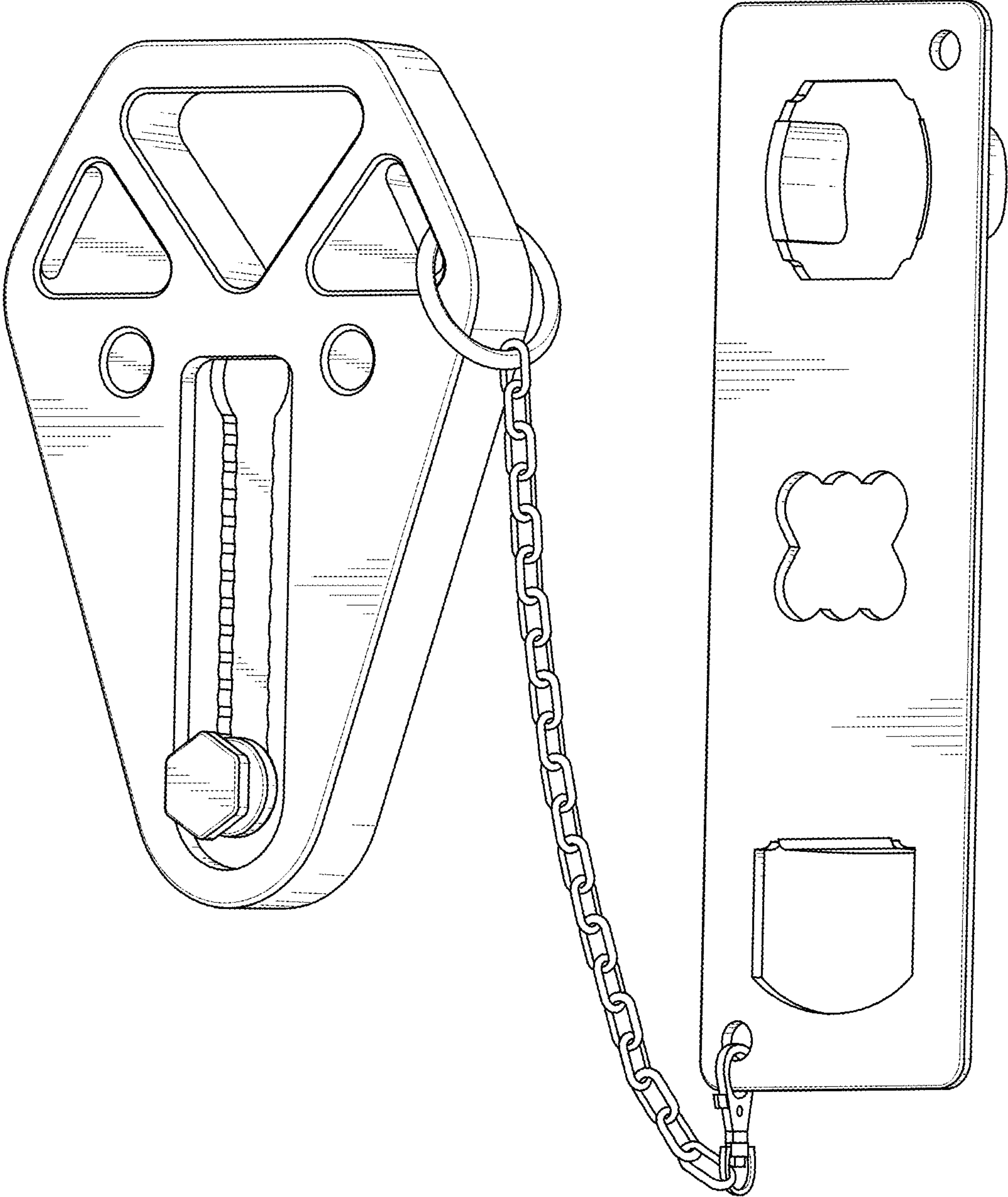


FIG. 1

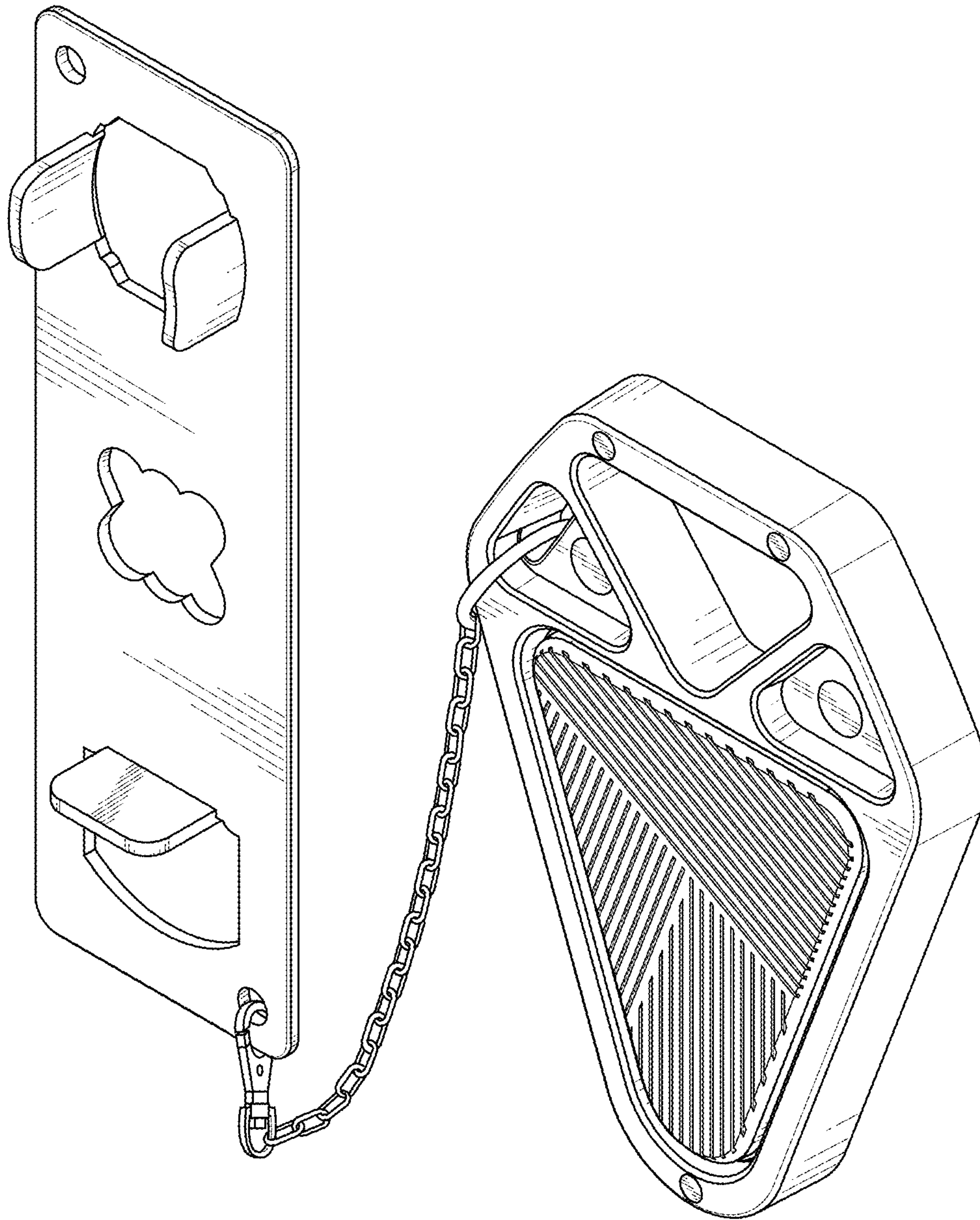


FIG. 2

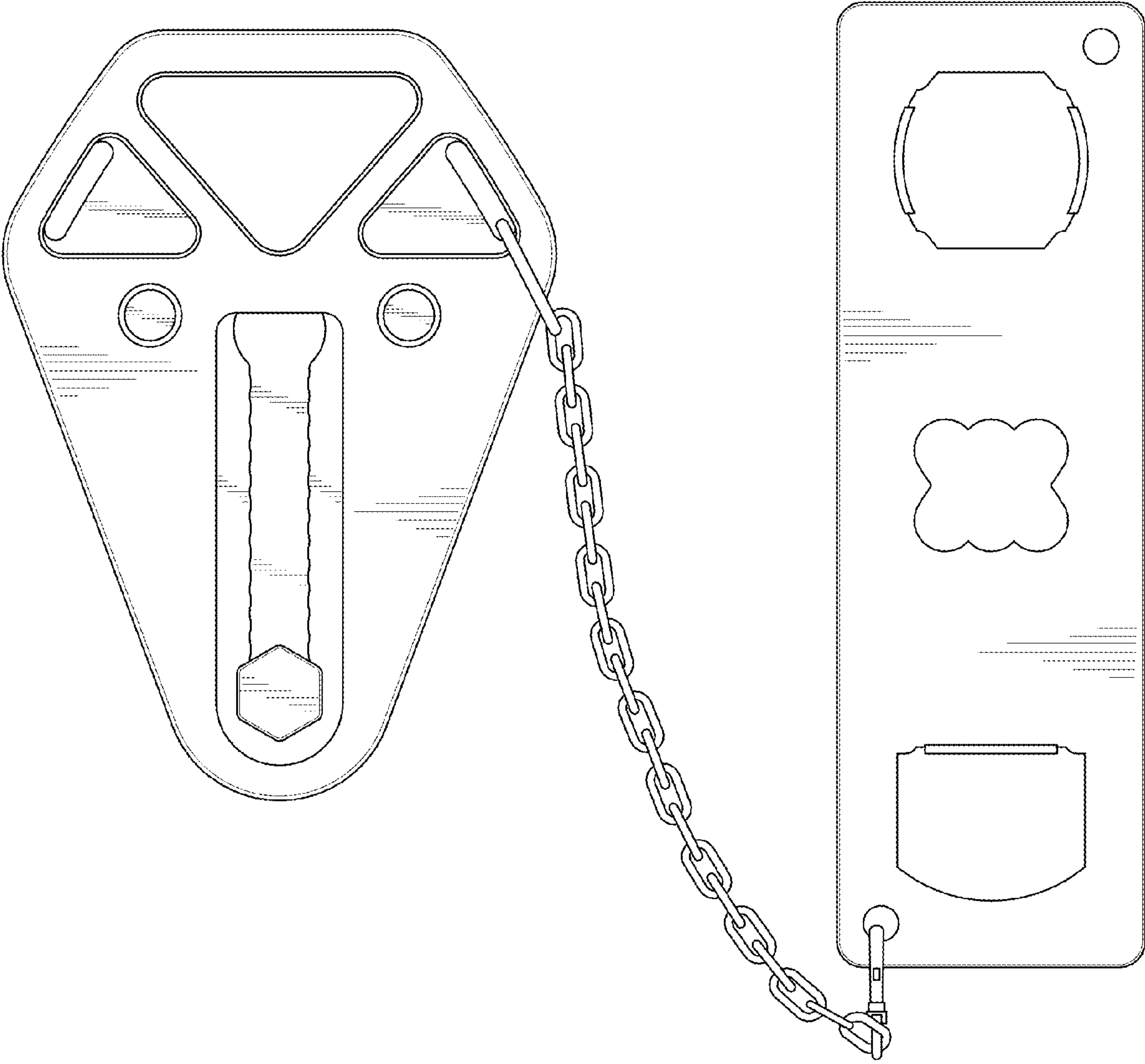


FIG. 3

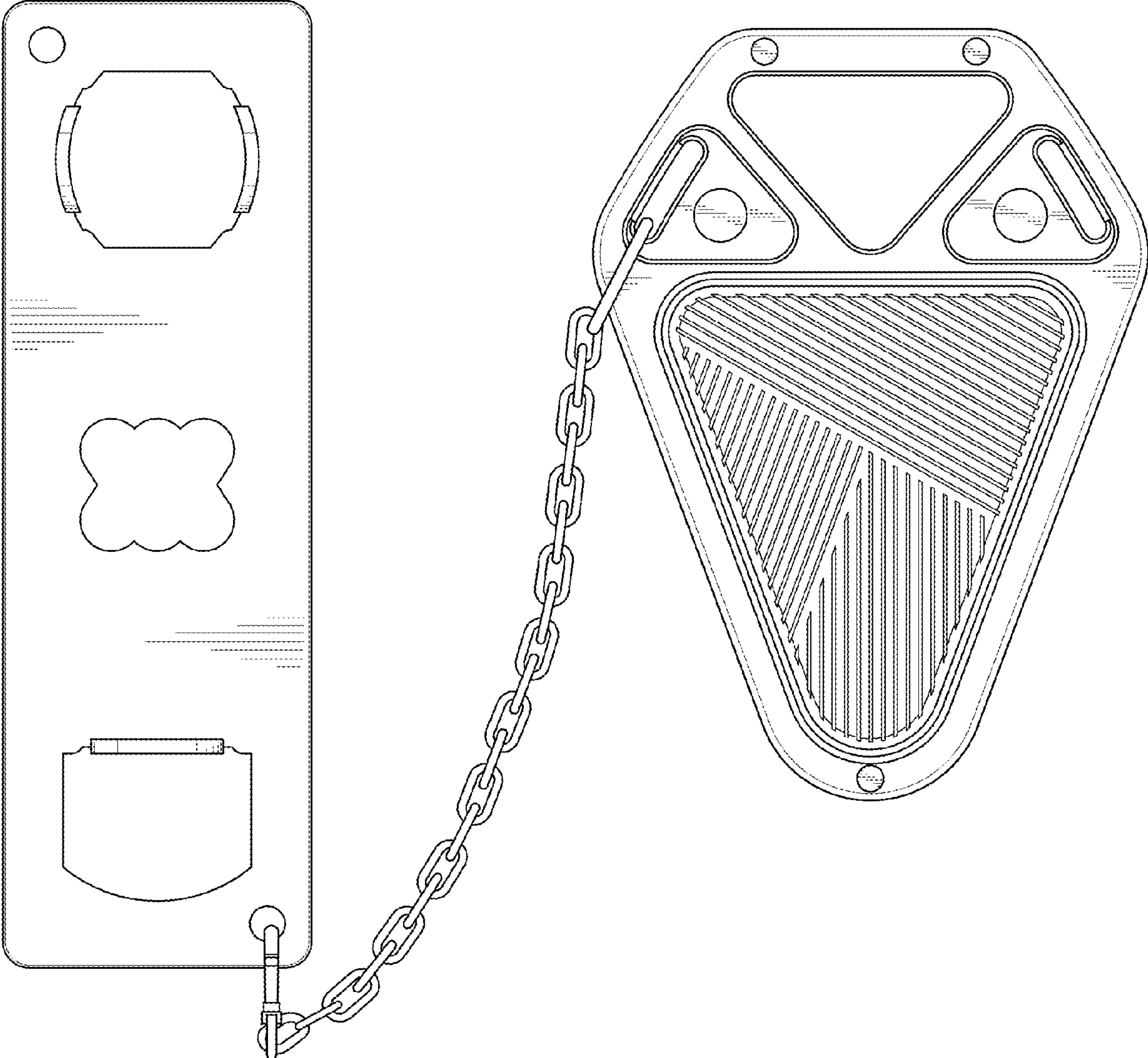


FIG. 4

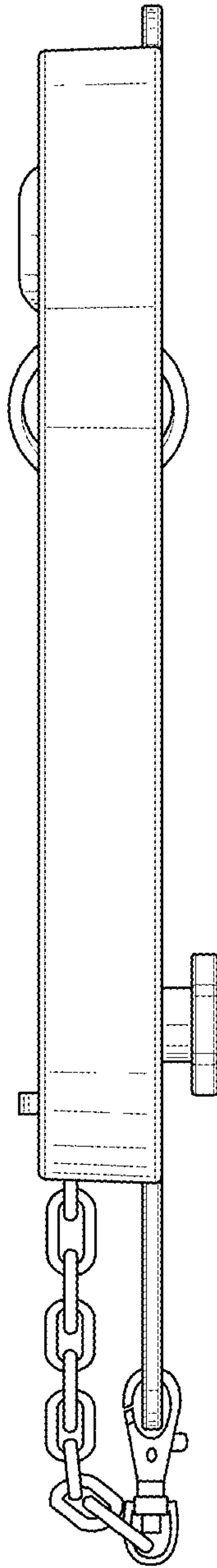


FIG. 5

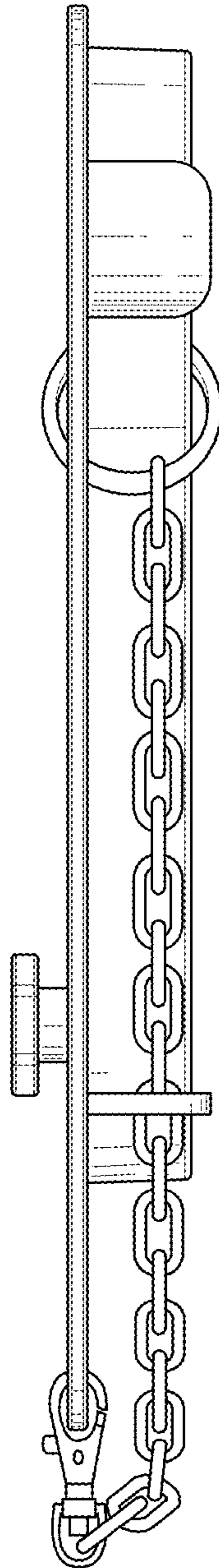


FIG. 6

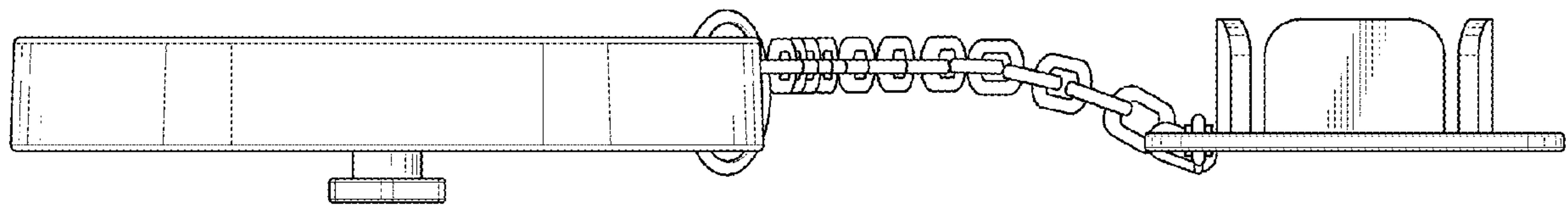


FIG. 7

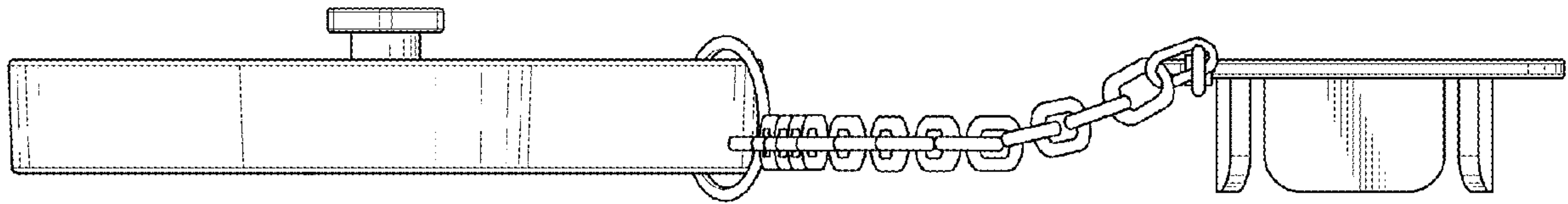


FIG. 8