



US00D884455S

(12) **United States Design Patent**  
**Chen**

(10) **Patent No.:** **US D884,455 S**

(45) **Date of Patent:** **\*\* May 19, 2020**

(54) **CABINET LOCK**

(71) Applicant: **POWERTEK HARDWARE CO., LTD.**, Taichung (TW)

(72) Inventor: **Chung-Yu Chen**, Taichung (TW)

(73) Assignee: **POWERTEK HARDWARE CO., LTD.**, Taichung (TW)

(\*\*) Term: **15 Years**

(21) Appl. No.: **29/656,145**

(22) Filed: **Jul. 10, 2018**

(30) **Foreign Application Priority Data**

May 18, 2018 (TW) ..... 107302777

(51) **LOC (12) Cl.** ..... **08-07**

(52) **U.S. Cl.**  
USPC ..... **D8/331**

(58) **Field of Classification Search**  
USPC ..... D8/330, 331, 336, 339, 343, 352, 382  
CPC ... E05C 7/00; E05C 7/04; E05C 19/18; E05B  
65/06; E05B 65/08; E05B 65/0894; Y10T  
70/5093; Y10T 70/5097  
See application file for complete search history.

(56) **References Cited**

**U.S. PATENT DOCUMENTS**

D344,442	S *	2/1994	Myers	.....	D8/341
5,501,493	A *	3/1996	Arthur	.....	E05C 19/18 292/258
D418,038	S *	12/1999	Scott	.....	D8/330
D452,810	S *	1/2002	Anderson	.....	D8/339
6,865,914	B2 *	3/2005	Irgens	.....	B60D 1/06 70/14
7,308,737	B2 *	12/2007	Saitoh	.....	E05B 47/0038 24/303
7,377,135	B2 *	5/2008	Copus	.....	E05B 13/002 292/258

D580,739	S *	11/2008	Pelletier	.....	D8/330
D630,489	S *	1/2011	Gratzki	.....	D8/330
8,313,128	B2 *	11/2012	Belyea	.....	E05B 13/00 292/258
D686,055	S *	7/2013	Li	.....	D8/331
8,490,443	B2 *	7/2013	Gokcebay	.....	G07C 9/00666 70/214
D693,203	S *	11/2013	Mostert	.....	D8/330
D693,204	S *	11/2013	Mostert	.....	D8/330
8,851,535	B2 *	10/2014	Miskel	.....	E05C 19/186 292/258
8,860,574	B2 *	10/2014	Grant	.....	E05B 47/026 340/568.8
8,994,497	B2 *	3/2015	Grant	.....	G07C 9/00857 340/5.73
D803,661	S *	11/2017	Marsden	.....	D8/339
D821,848	S *	7/2018	Marsden	.....	D8/339
D832,677	S *	11/2018	Gokcebay	.....	D8/331
D834,931	S *	12/2018	Ressler	.....	D8/382

(Continued)

*Primary Examiner* — Steven J Czyz

(74) *Attorney, Agent, or Firm* — Pai Patent & Trademark Law Firm; Chao-Chang David Pai

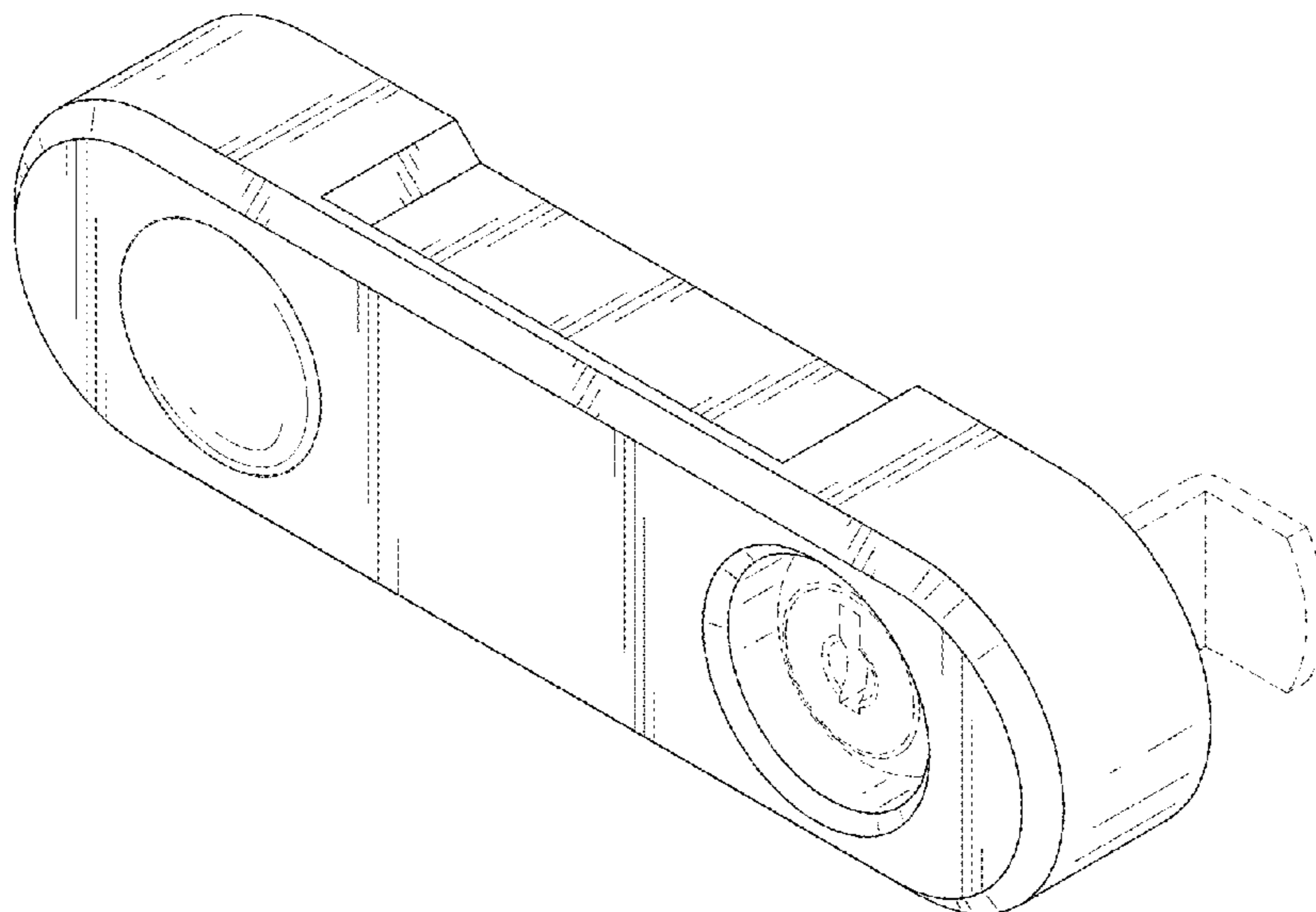
(57) **CLAIM**

The ornamental design for a cabinet lock, as shown and described.

**DESCRIPTION**

FIG. 1 is a front perspective view of a cabinet lock showing my new design;  
FIG. 2 is a front elevational view thereof;  
FIG. 3 is a rear elevational view thereof.  
FIG. 4 is a left side elevational view thereof;  
FIG. 5 is a right side elevational view thereof;  
FIG. 6 is a top plan view thereof; and,  
FIG. 7 is a bottom plan view thereof.  
The broken lines depict portions of the article that form no part of the claimed design.

**1 Claim, 4 Drawing Sheets**



(56)

**References Cited**

U.S. PATENT DOCUMENTS

10,221,594 B2 \* 3/2019 Raffi ..... E05C 7/04  
D856,786 S \* 8/2019 Stapleton ..... D8/382

\* cited by examiner

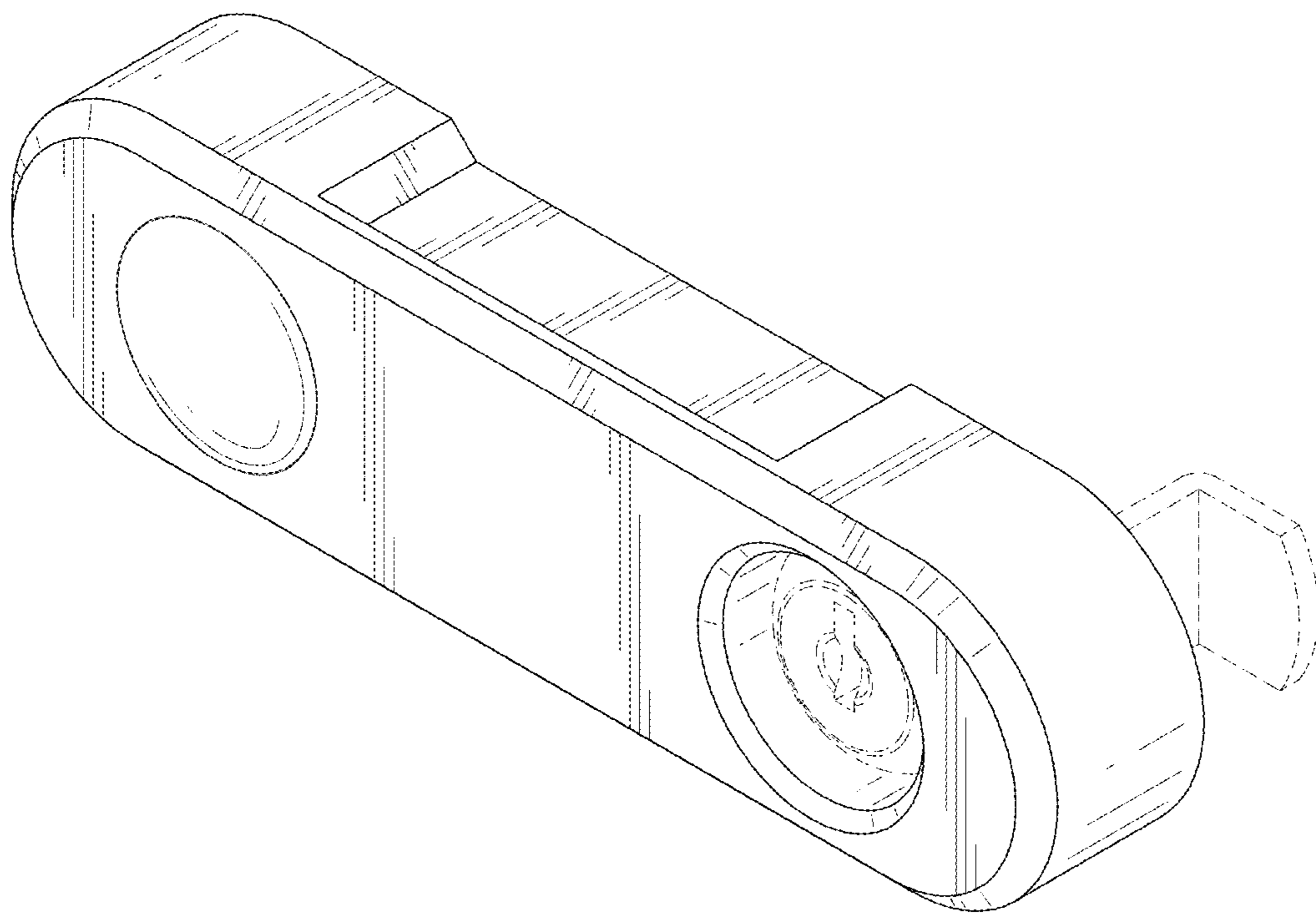


FIG. 1

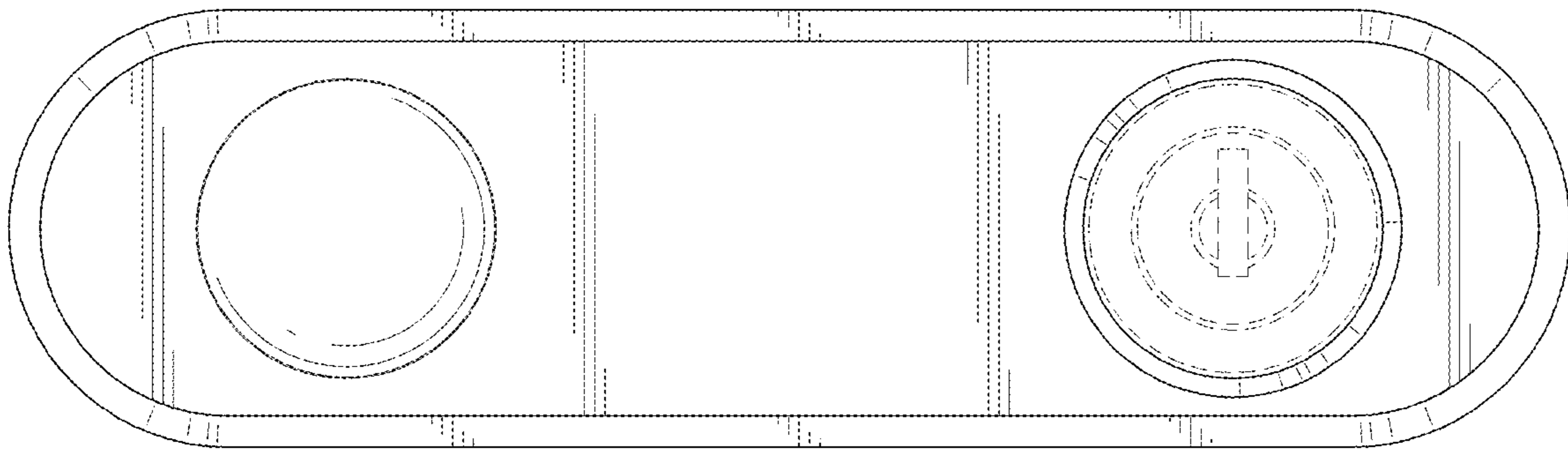


FIG. 2

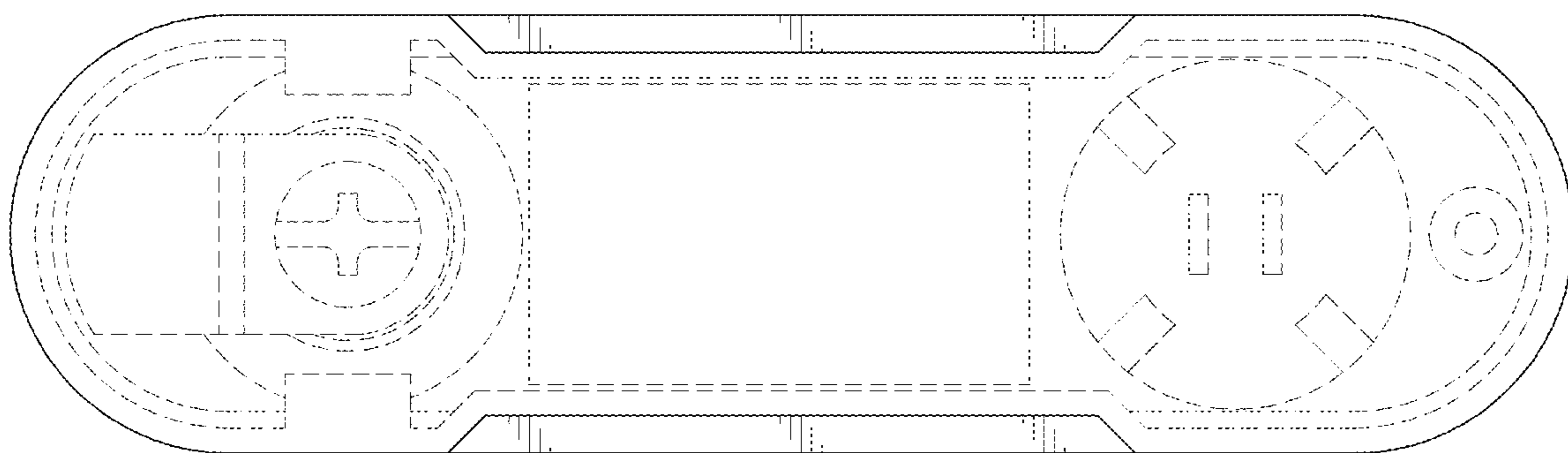


FIG. 3

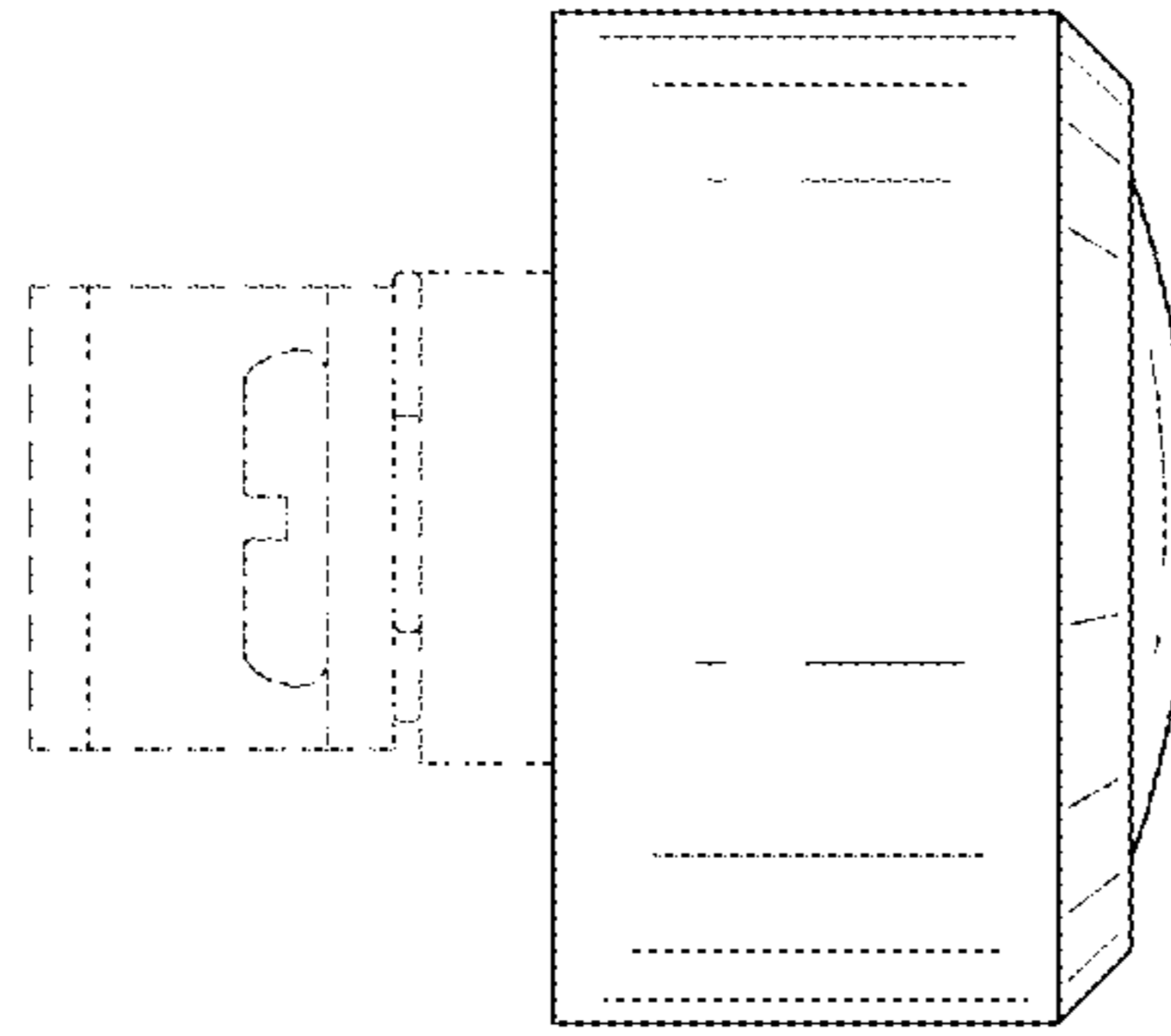


FIG. 4

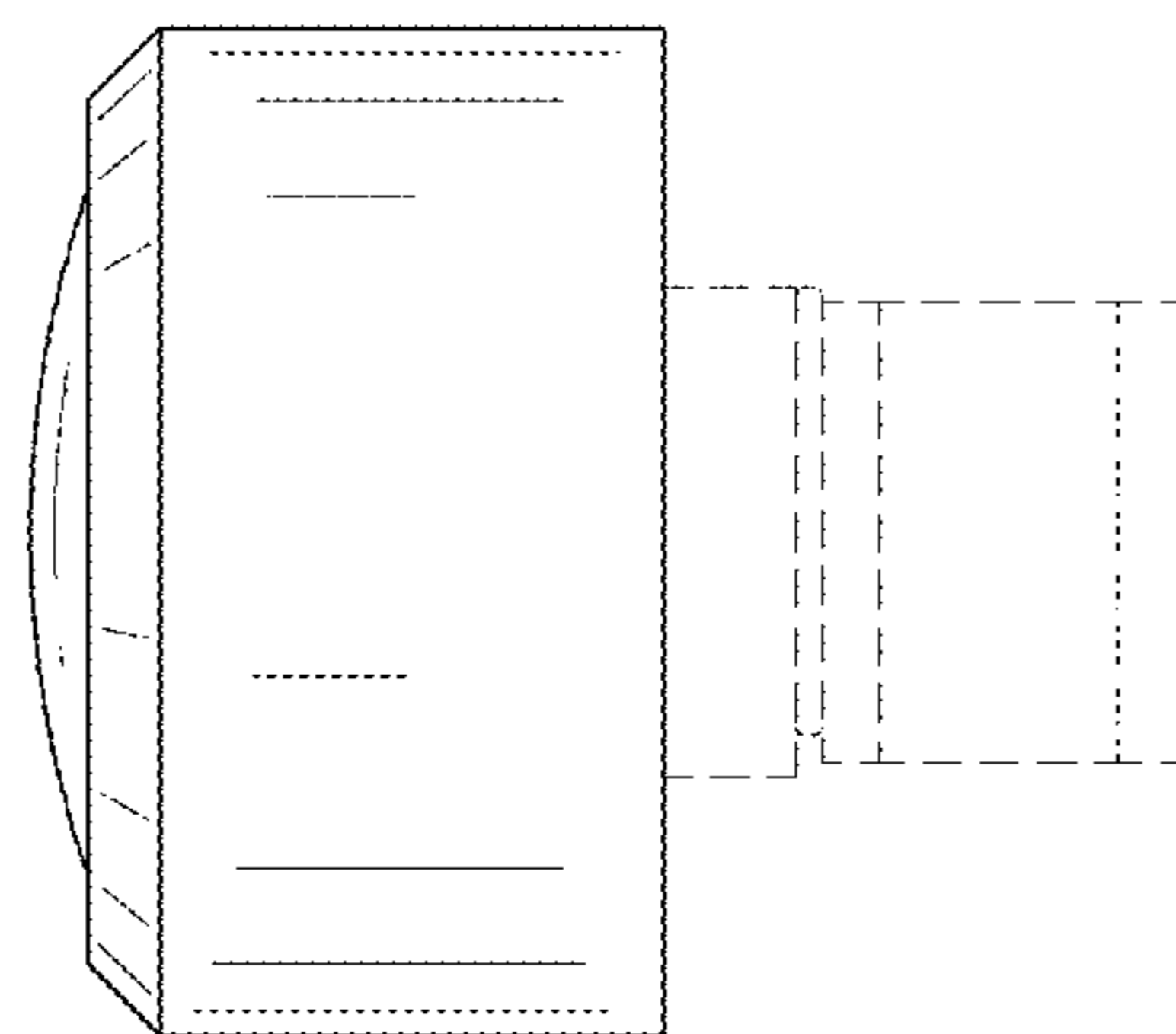


FIG. 5

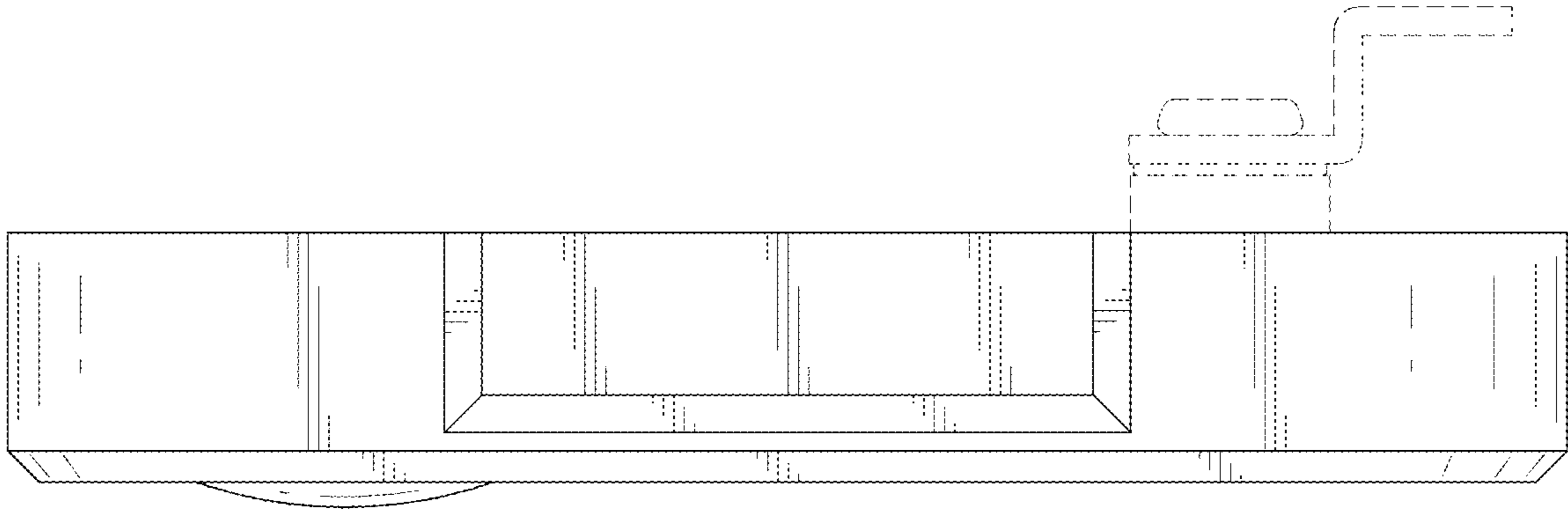


FIG. 6

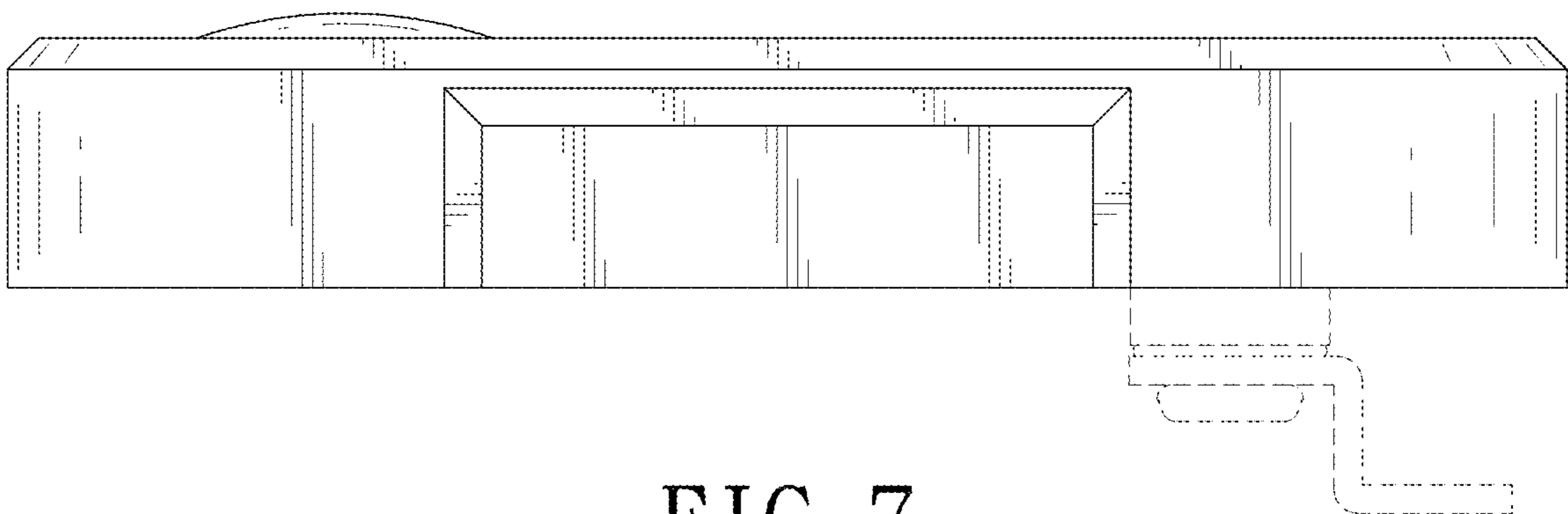


FIG. 7