



US00D884453S

(12) **United States Design Patent**  
**Hallbrook et al.**

(10) **Patent No.:** **US D884,453 S**

(45) **Date of Patent:** **\*\* May 19, 2020**

(54) **MULTI-TOOL**

(71) Applicant: **Fiskars Brands, Inc.**, Middleton, WI (US)

(72) Inventors: **Paul Ernest Hoover Hallbrook**, Portland, OR (US); **Juli Sparks**, Portland, OR (US); **Matthew Alan Rauwerdink**, Portland, OR (US)

(73) Assignee: **Fiskars Brands, Inc.**, Middleton, WI (US)

(\*\*) Term: **15 Years**

(21) Appl. No.: **29/596,663**

(22) Filed: **Mar. 9, 2017**

(51) **LOC (12) Cl.** ..... **08-05**

(52) **U.S. Cl.**  
USPC ..... **D8/105**

(58) **Field of Classification Search**  
USPC ..... D8/105, 55, 107, 99  
CPC ..... B25B 7/22; B25B 7/06; B25B 23/00  
See application file for complete search history.

(56) **References Cited**

U.S. PATENT DOCUMENTS

4,967,435	A	11/1990	Seals
5,303,439	A	4/1994	Seals
5,357,643	A	10/1994	Seals
D354,215	S	1/1995	Seals
RE35,424	E	1/1997	Seals
5,916,277	A	6/1999	Dallas
5,946,752	A	9/1999	Parrish
6,523,203	B2	2/2003	Harrison
6,625,832	B2	9/2003	Montague et al.
D480,940	S	10/2003	Dallas
D480,941	S	10/2003	Dallas
D481,289	S	10/2003	Dallas
6,721,983	B2	4/2004	Dallas et al.
6,721,984	B1	4/2004	Harrison

7,028,591	B2	4/2006	Dallas et al.	
D571,181	S *	6/2008	Klecker	D8/105
D596,911	S *	7/2009	Carpenter	D8/105
D603,682	S *	11/2009	Brands	D8/105
D623,038	S *	9/2010	Seeds	D8/105

(Continued)

OTHER PUBLICATIONS

U.S. Appl. No. 62/349,405, filed Jun. 13, 2016, Fiskars Brands, Inc.  
(Continued)

*Primary Examiner* — Janice Hallmark

(74) *Attorney, Agent, or Firm* — Foley & Lardner LLP

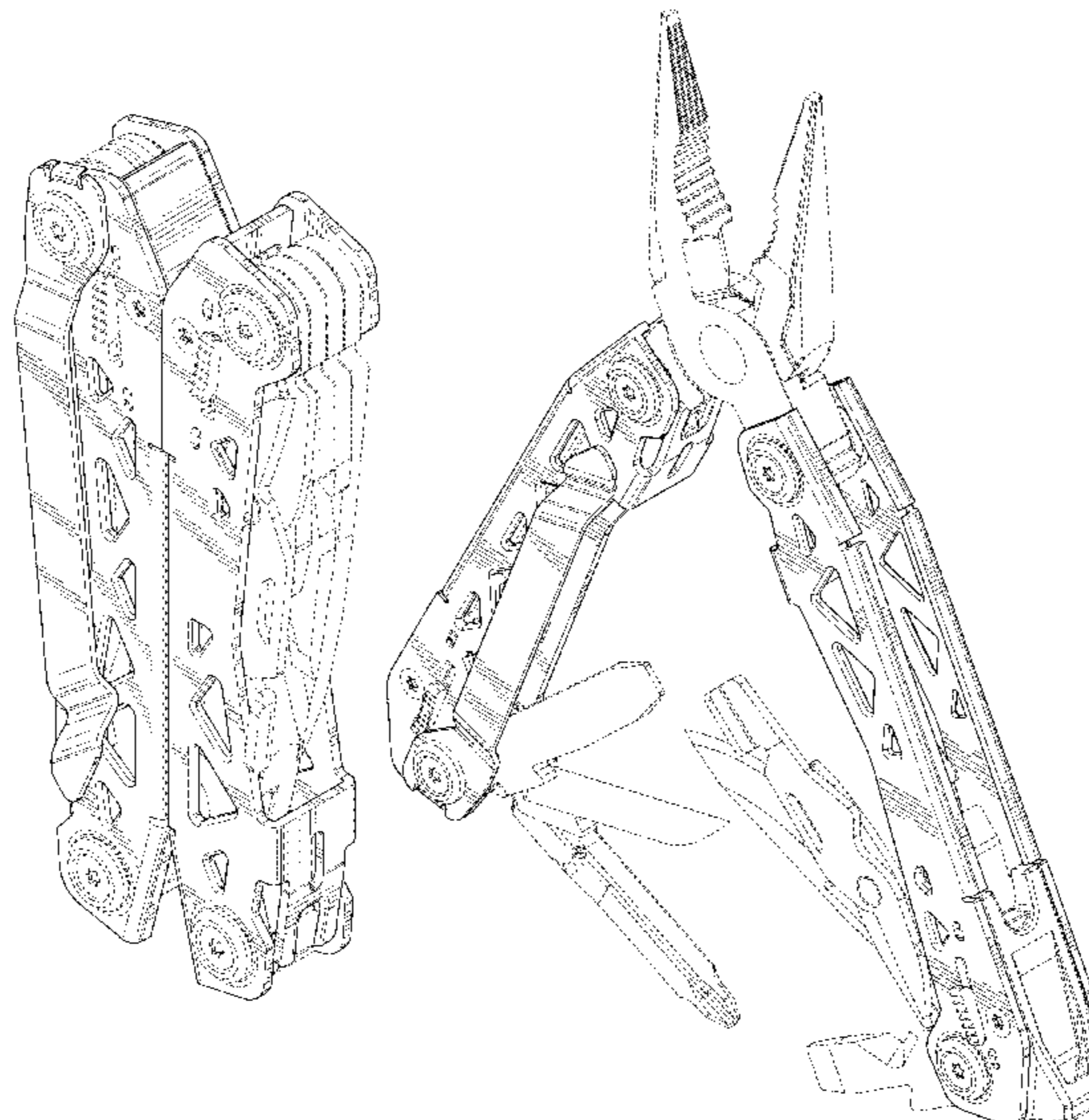
(57) **CLAIM**

We claim the ornamental design for a multi-tool, as shown and described.

**DESCRIPTION**

FIG. 1 is a top, front, right, perspective view of the claimed design in a first configuration;  
FIG. 2 is a front elevation view thereof;  
FIG. 3 is a left side elevation view thereof;  
FIG. 4 is a right side elevation view thereof;  
FIG. 5 is a rear elevation view thereof;  
FIG. 6 is a top plan view thereof;  
FIG. 7 is a bottom plan view thereof;  
FIG. 8 is a top, front, right, perspective view thereof in a second configuration;  
FIG. 9 is a front elevation view thereof;  
FIG. 10 is a left side elevation view thereof;  
FIG. 11 is a right side elevation view thereof;  
FIG. 12 is a rear elevation view thereof;  
FIG. 13 is a top plan view thereof; and,  
FIG. 14 is a bottom plan view thereof.  
The broken lines in the drawings depict environmental subject matter and are for illustrative purposes only and form no part of the claimed design.

**1 Claim, 10 Drawing Sheets**



(56)

**References Cited**

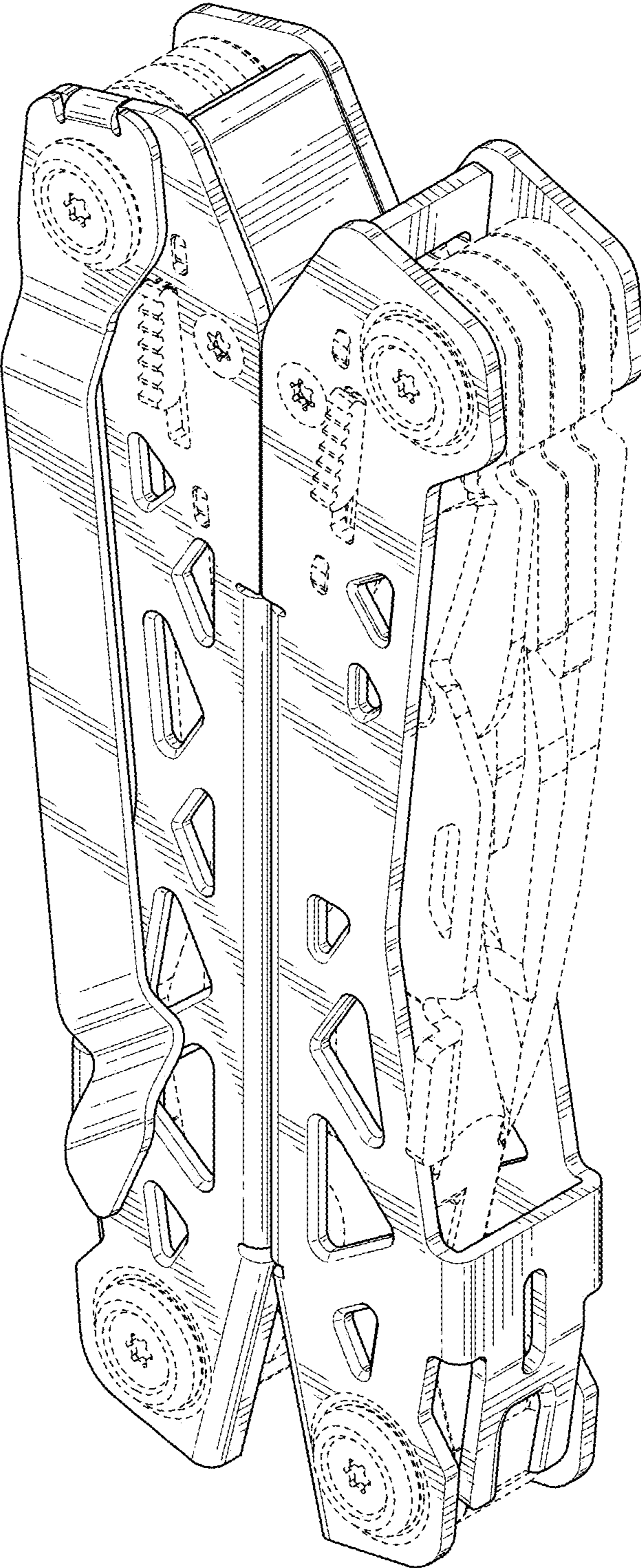
U.S. PATENT DOCUMENTS

D623,039	S *	9/2010	Seeds .....	D8/105
D626,810	S *	11/2010	Steineckert .....	B25F 1/04 D8/105
D630,079	S	1/2011	Seeds et al.	
D630,080	S	1/2011	Seeds et al.	
D635,002	S *	3/2011	Rivera .....	D8/105
D635,004	S *	3/2011	Rivera .....	D8/105
7,908,944	B2	3/2011	Nason et al.	
7,909,478	B2	3/2011	Dallas	
D660,125	S	5/2012	Seeds et al.	
D660,126	S	5/2012	Cagampang et al.	
D660,678	S	5/2012	Thomas et al.	
D711,207	S *	8/2014	Seeds .....	D8/105
D711,208	S	8/2014	Hardinge et al.	
8,857,299	B2 *	10/2014	Huttula .....	B25F 1/003 7/128
D746,658	S *	1/2016	Mihailides .....	D8/105
D747,638	S *	1/2016	Hernandez .....	D8/105
D756,731	S	5/2016	Seeds et al.	
D848,808	S *	5/2019	Zhong .....	D8/55
D850,882	S *	6/2019	Lin .....	D8/105
2002/0124322	A1	9/2002	Montague	
2004/0019974	A1	2/2004	Montague et al.	
2006/0107800	A1	5/2006	Dallas et al.	
2013/0097786	A1	4/2013	Hardinge et al.	
2015/0047127	A1 *	2/2015	Leach .....	B25F 1/003 7/119
2016/0288309	A1	10/2016	Rauwerdink et al.	

OTHER PUBLICATIONS

U.S. Appl. No. 62/353,473, filed Jun. 22, 2016, Fiskars Brands, Inc.

\* cited by examiner



**FIG. 1**

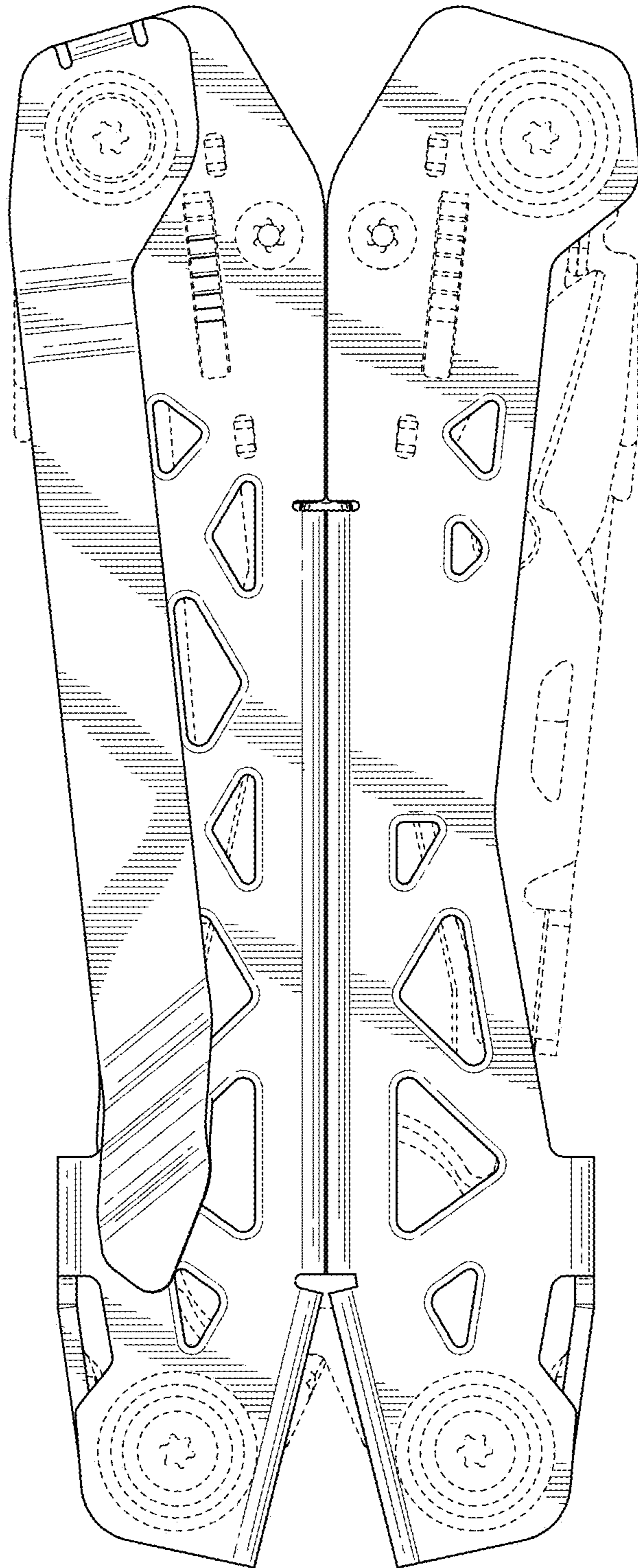


FIG. 2

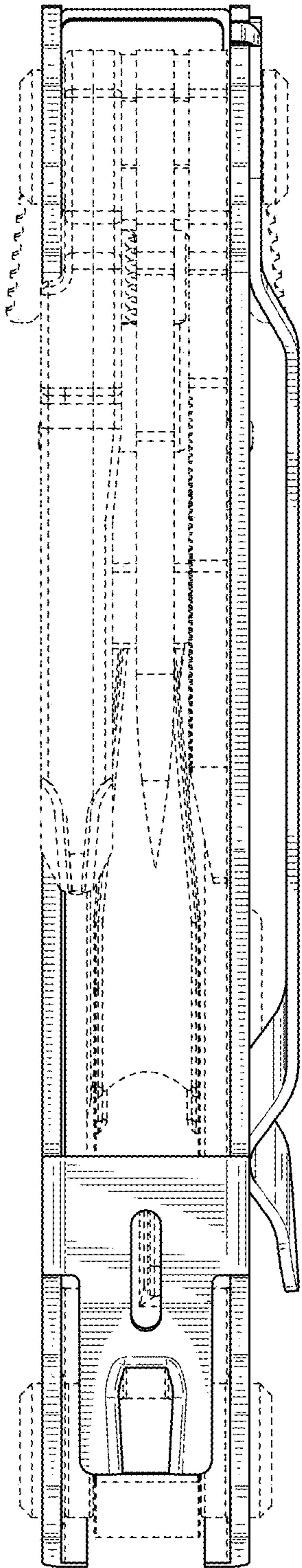


FIG. 3

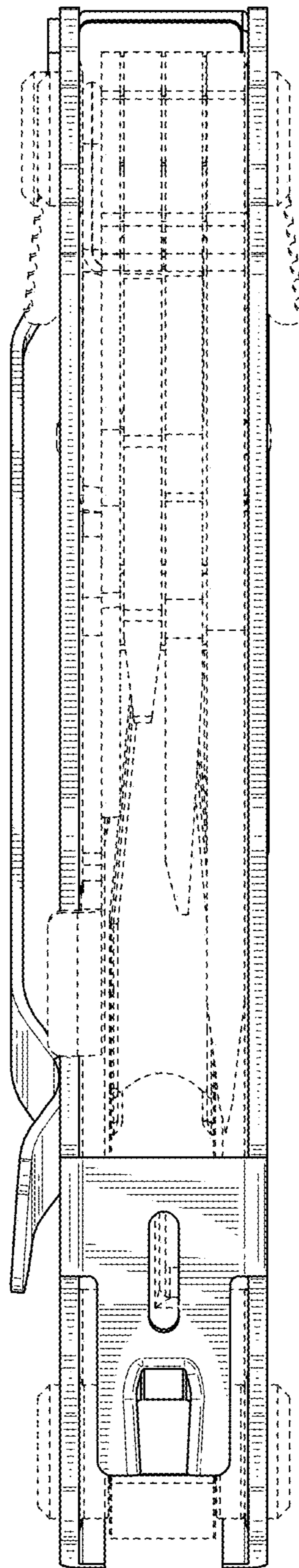


FIG. 4

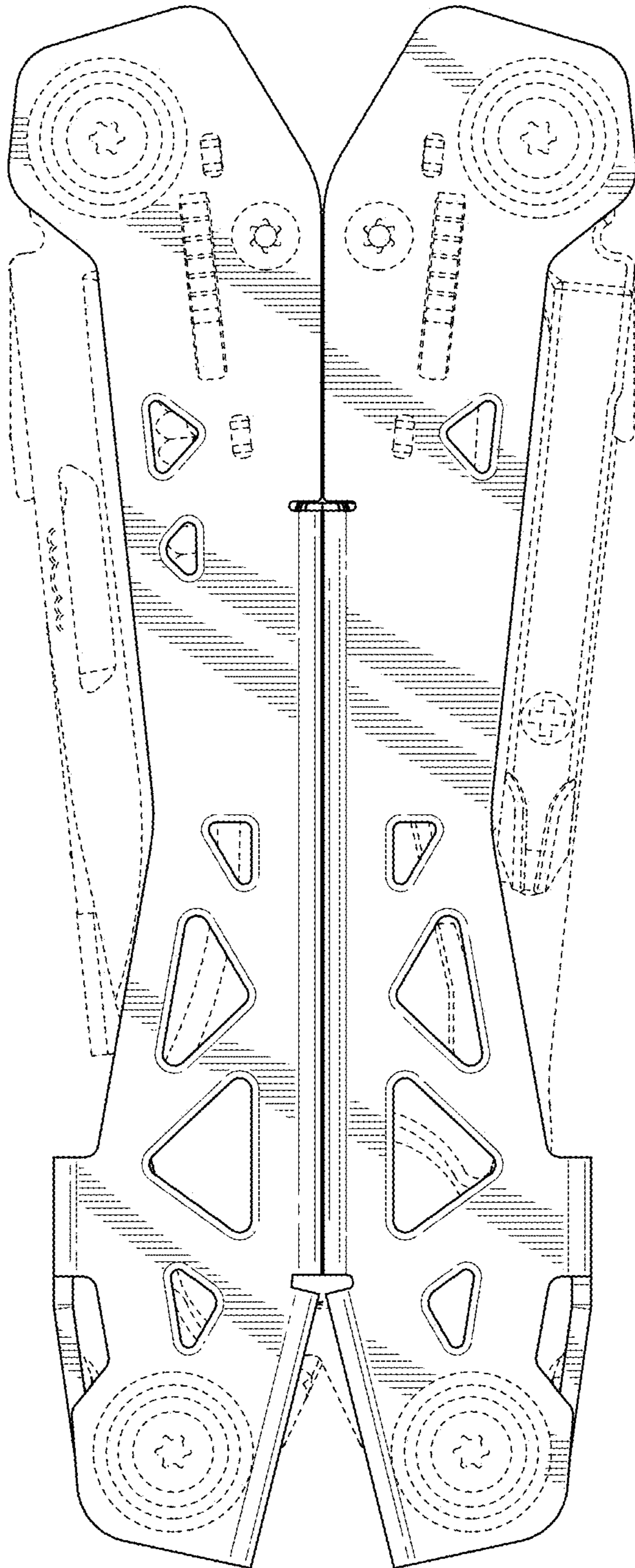
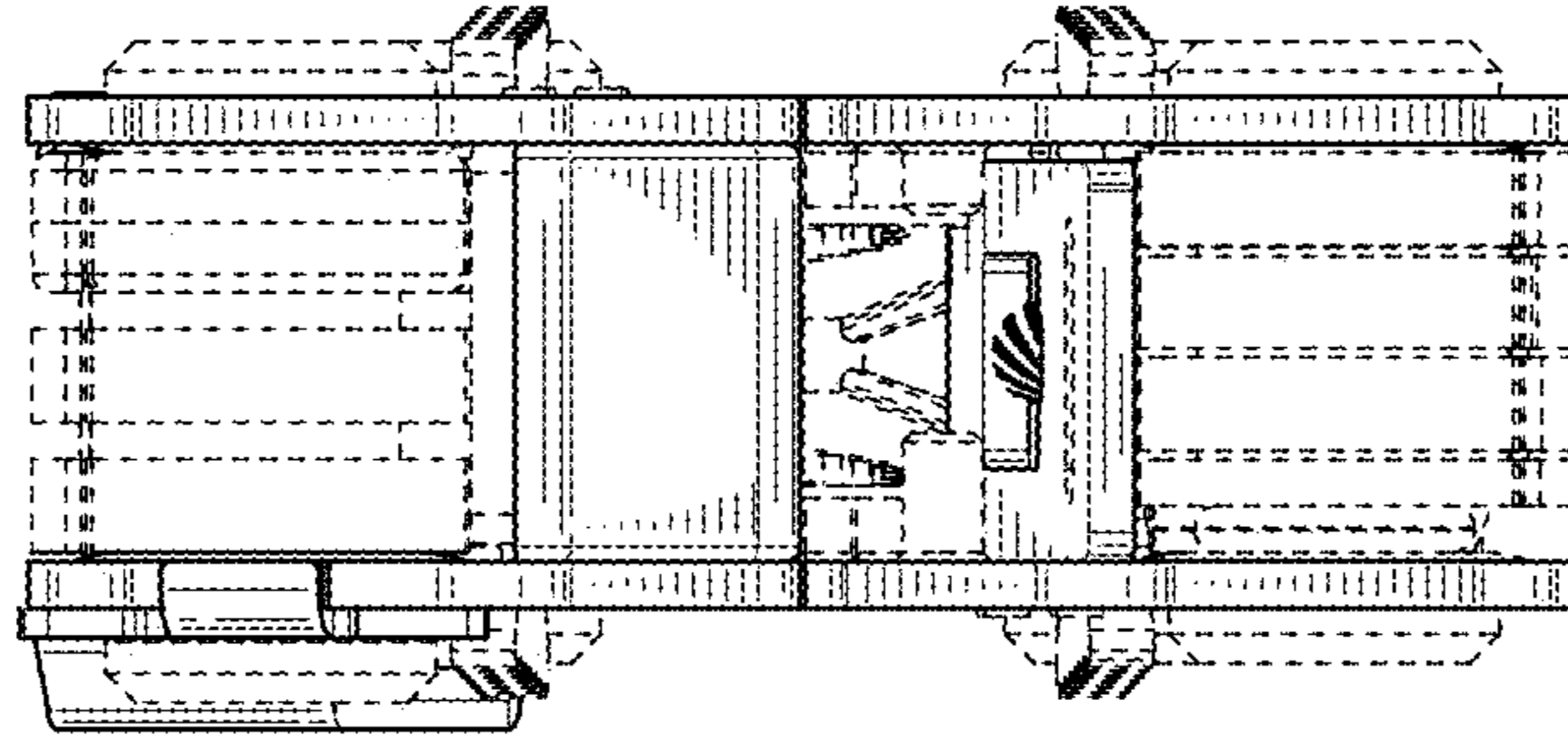
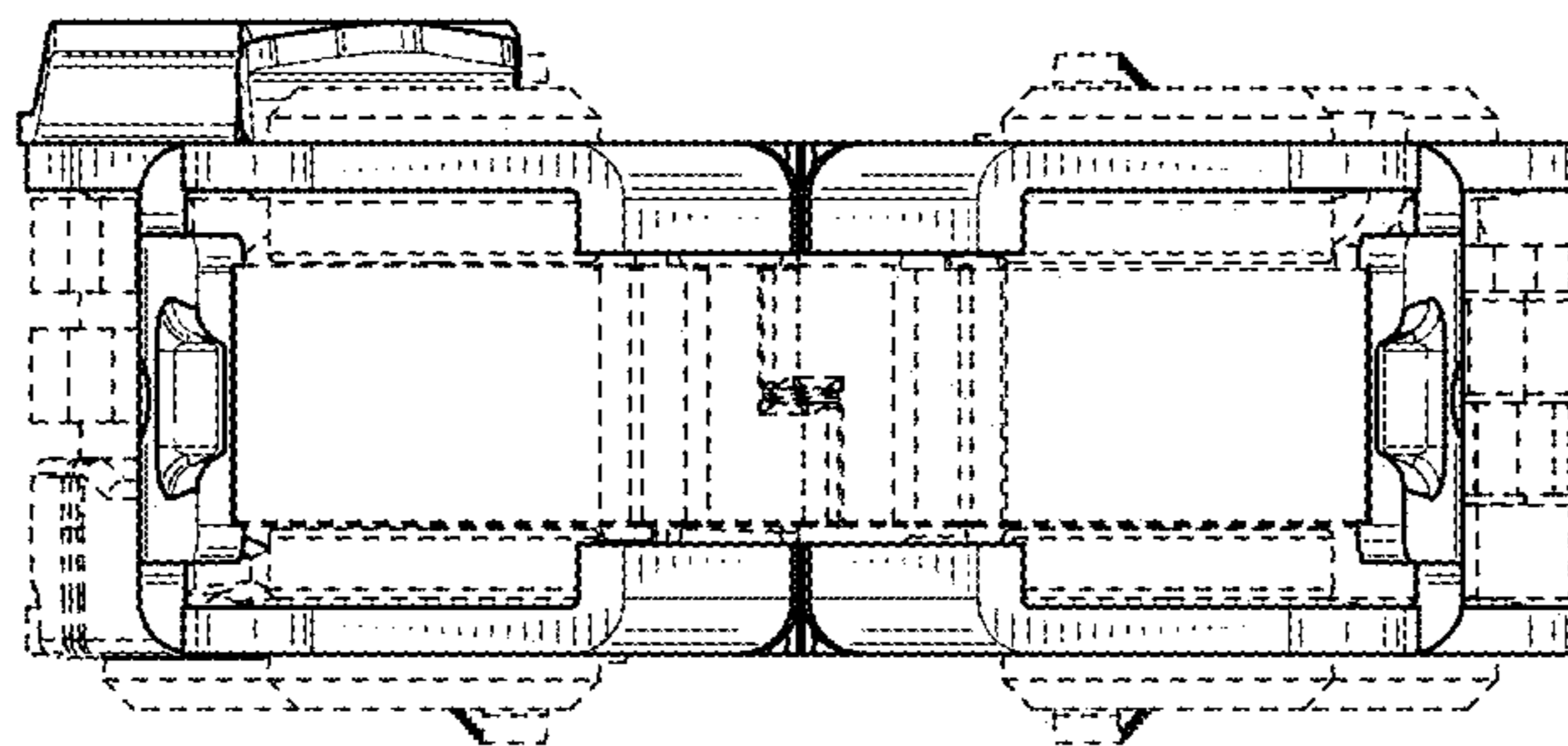


FIG. 5



**FIG. 6**



**FIG. 7**

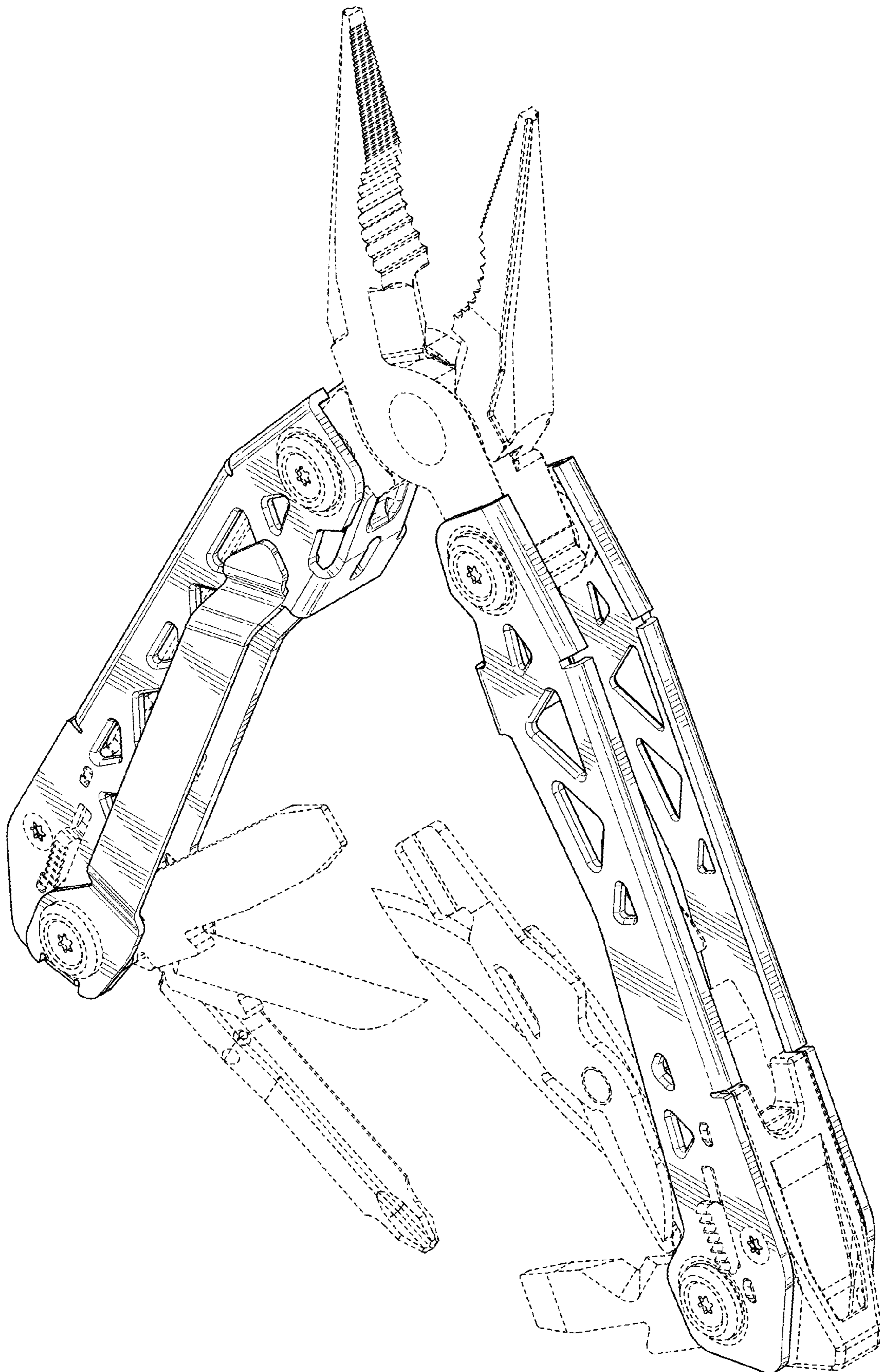


FIG. 8



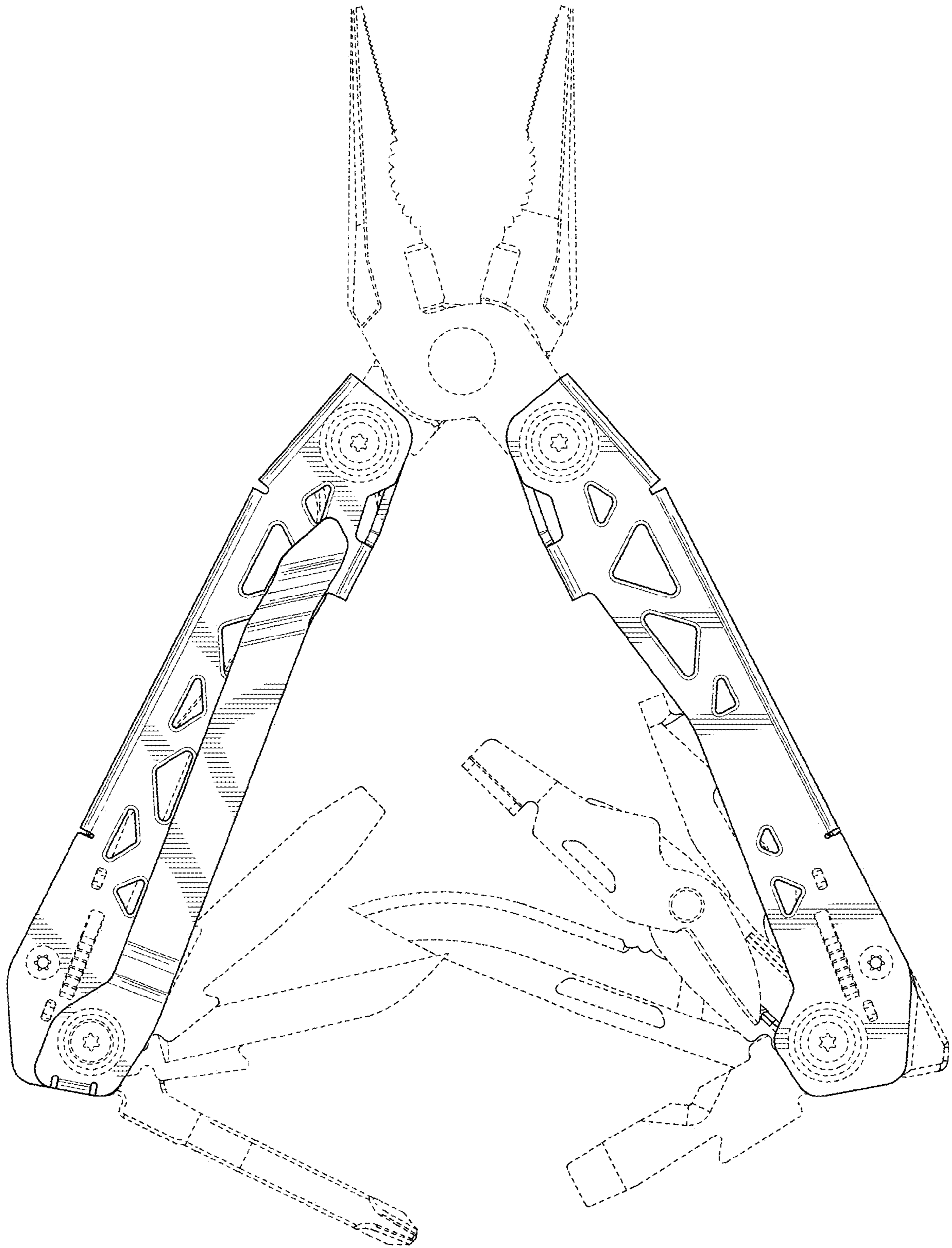
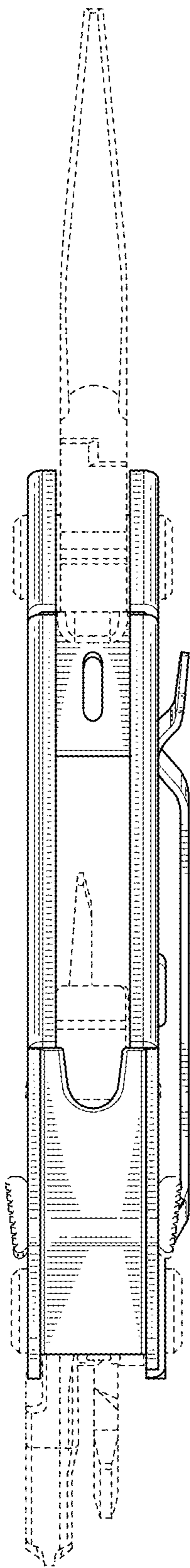
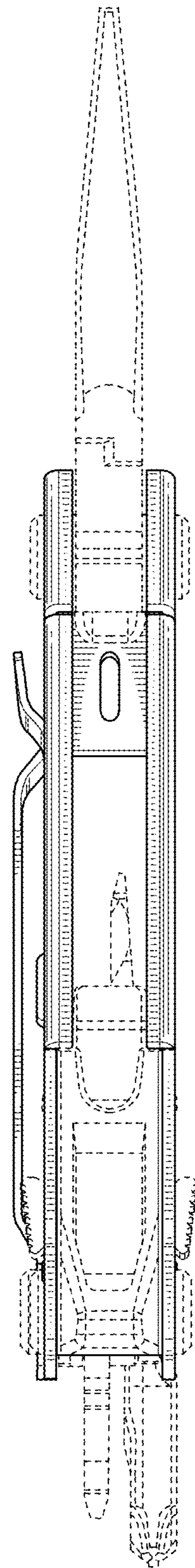


FIG. 9



**FIG. 10**



**FIG. 11**

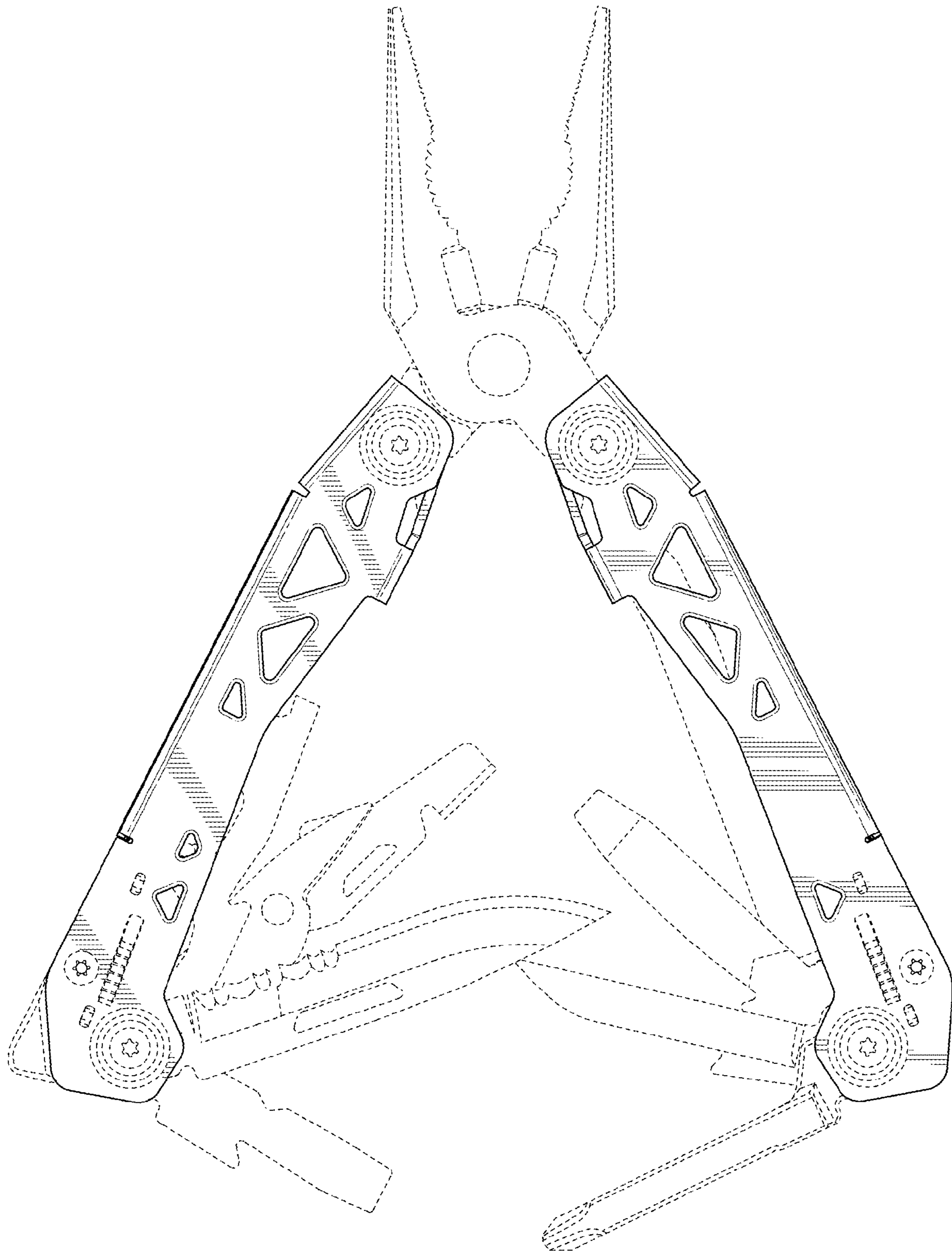


FIG. 12

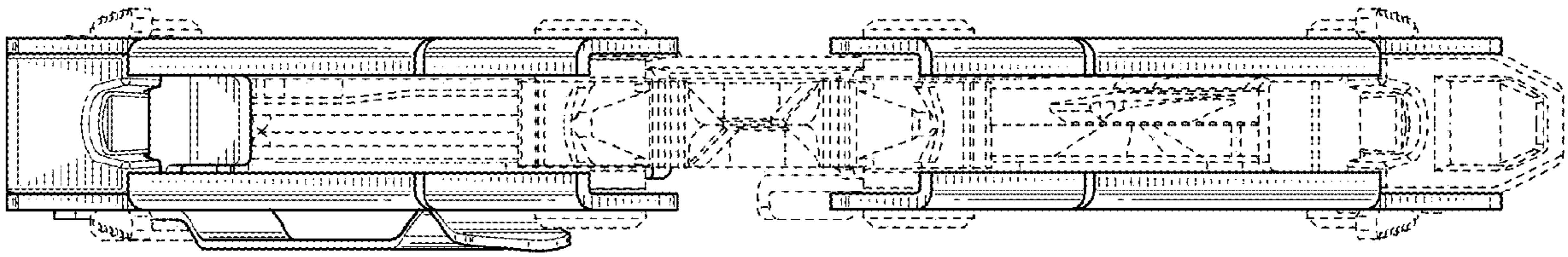


FIG. 13

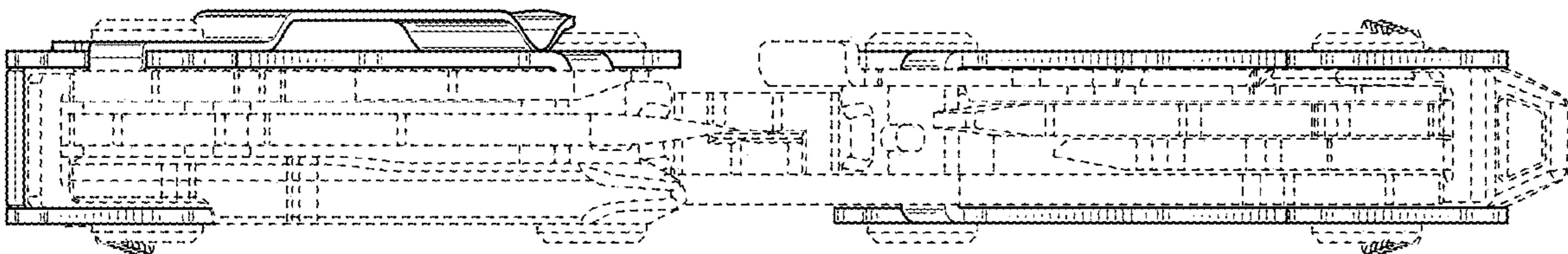


FIG. 14