



US00D884450S

(12) **United States Design Patent** (10) **Patent No.:** **US D884,450 S**  
**Zemel et al.** (45) **Date of Patent:** **\*\* May 19, 2020**

(54) **KNIFE SHARPENER**

FOREIGN PATENT DOCUMENTS

(71) Applicant: **Mr. Bar-B-Q Products LLC**, Melville, NY (US)

EP 2617525 A2 7/2013

(72) Inventors: **Marc Zemel**, Melville, NY (US);  
**Joanne Rudis**, Melville, NY (US)

OTHER PUBLICATIONS

Taidea—T0901TC Stainless Steel Kitchen Knife Sharpener (retrieved Jun. 24, 2019).

(73) Assignee: **MR. BAR-B-Q PRODUCTS LLC**, Melville, NY (US)

*Primary Examiner* — Philip S Hyder

(\*\*) Term: **15 Years**

(74) *Attorney, Agent, or Firm* — Carter, Deluca & Farrell LLP

(21) Appl. No.: **29/683,413**

(22) Filed: **Mar. 13, 2019**

(57) **CLAIM**

(51) **LOC (12) Cl.** ..... **08-05**

The ornamental design for a knife sharpener, as shown and described.

(52) **U.S. Cl.**

USPC ..... **D8/93**

(58) **Field of Classification Search**

USPC ..... D8/14, 63, 90, 91, 92, 93

CPC .... B24B 3/36; B24B 3/58; B24B 3/00; B24B

3/48; B24B 3/50; B24B 3/54; B24D

15/08; B24D 15/081; B24D 15/00

See application file for complete search history.

**DESCRIPTION**

FIG. 1 is a front perspective view of a knife sharpener in accordance with the present design;

FIG. 2 is a left side elevational view thereof;

FIG. 3 is a right side elevational view thereof;

FIG. 4 is a front elevational view thereof;

FIG. 5 is a rear elevational view thereof;

FIG. 6 is a top plan view thereof;

FIG. 7 is a bottom plan view thereof;

FIG. 8 is a front perspective view of an alternate embodiment of a knife sharpener in accordance with the present design;

FIG. 9 is a left side elevational view thereof;

FIG. 10 is a right side elevational view thereof;

FIG. 11 is a front elevational view thereof;

FIG. 12 is a rear elevational view thereof;

FIG. 13 is a top plan view thereof; and,

FIG. 14 is a bottom plan view thereof.

The broken lines shown in the drawings illustrate portions of the knife sharpener that form no part of the claimed design.

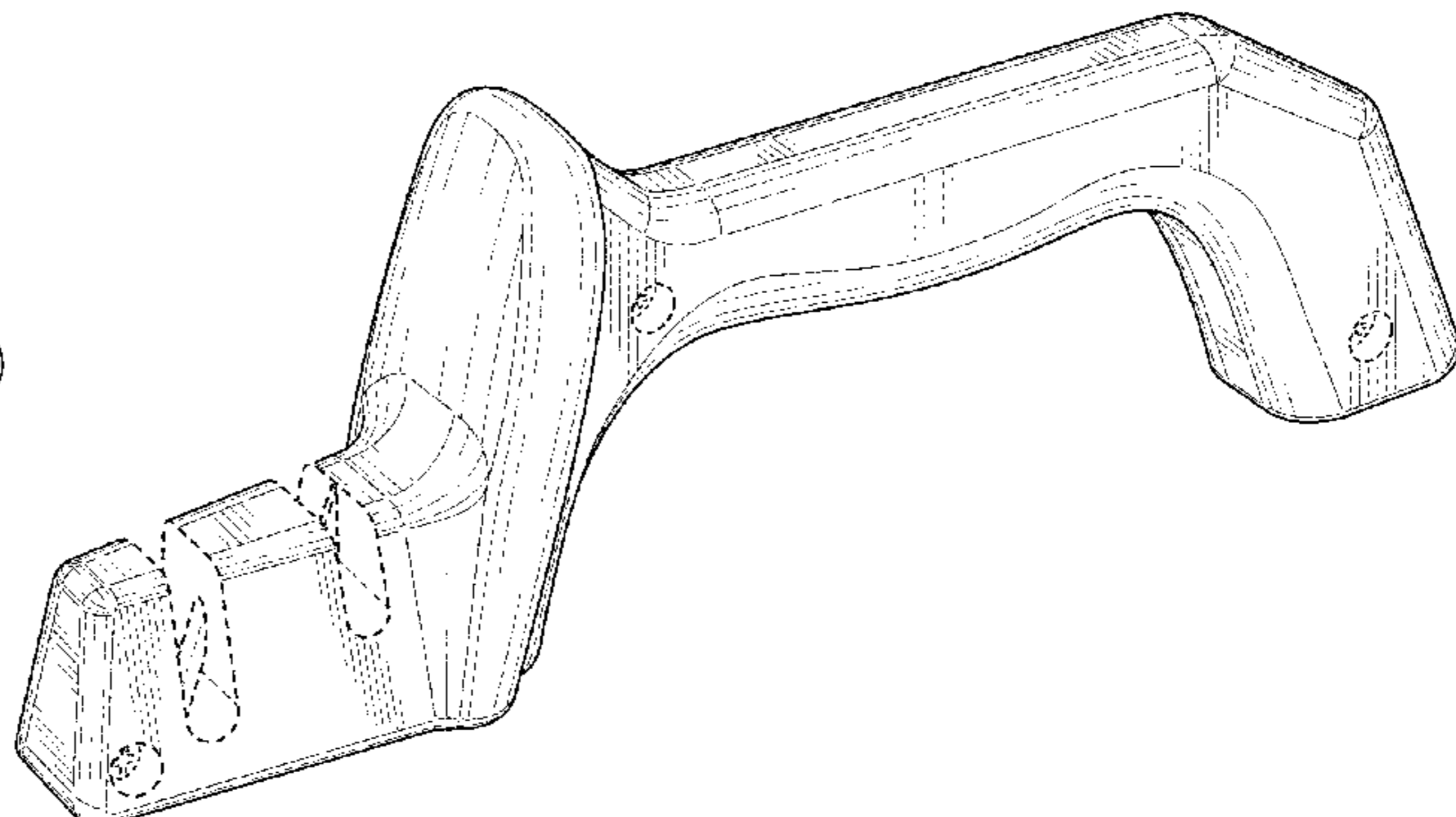
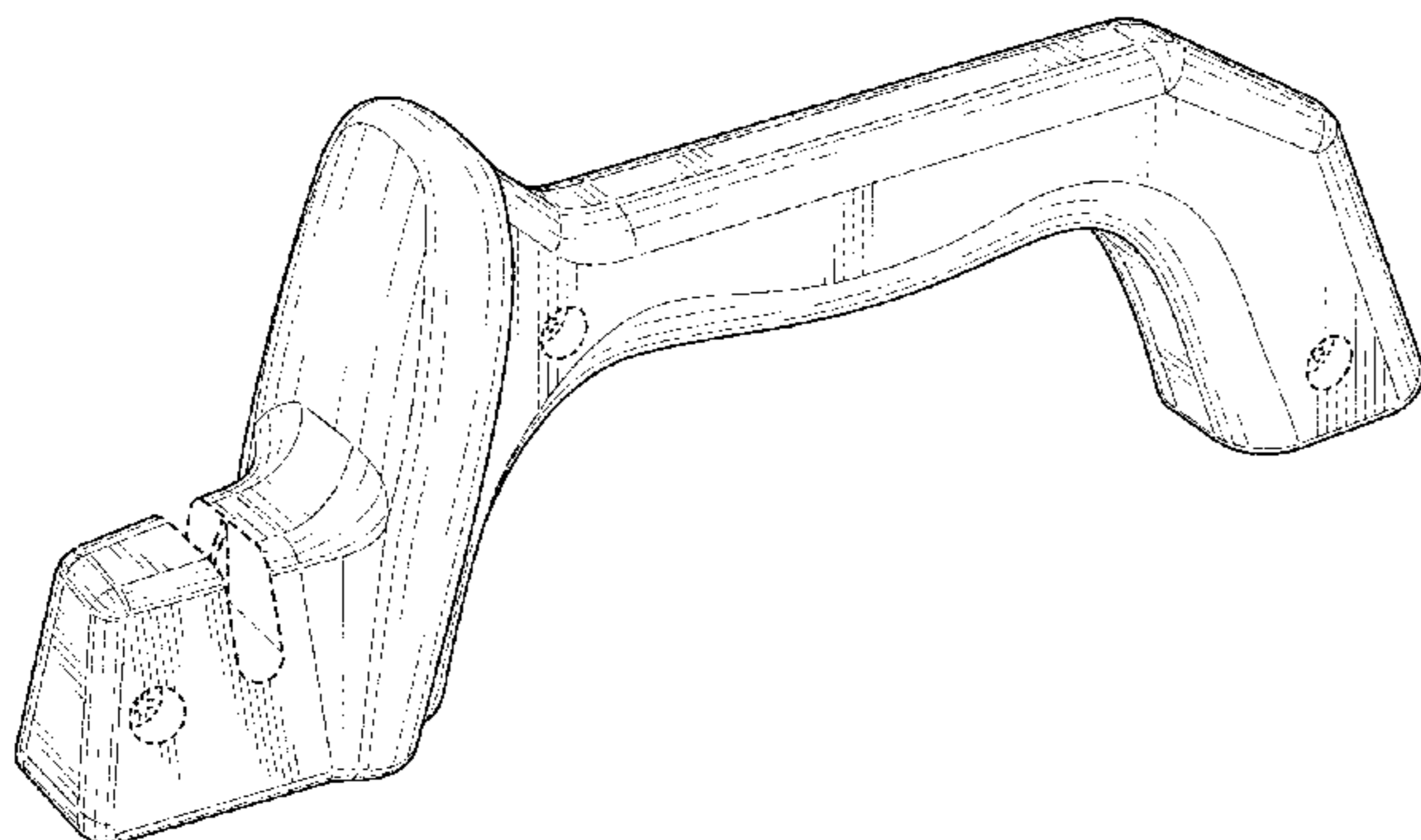
(56) **References Cited**

U.S. PATENT DOCUMENTS

1,041,631 A	10/1912	Johnson	
2,426,934 A	9/1947	Jones	
2,448,629 A	9/1948	Schmidt	
2,495,814 A	1/1950	Marcantonio	
D299,308 S	1/1989	Prindle	
D315,663 S	3/1991	Dolbosco	
D328,410 S	8/1992	Friel	
D331,688 S *	12/1992	Busse	D8/63
5,390,431 A	2/1995	Friel	
5,461,942 A	10/1995	Kelley	
D368,217 S *	3/1996	Friel	D8/93
D372,181 S *	7/1996	Kelley	D8/93
5,582,535 A	12/1996	Friel	
D392,869 S *	3/1998	Rieser	D8/93
D402,523 S *	12/1998	Thomas	D8/93
D500,439 S	1/2005	Rosenthal	

(Continued)

**1 Claim, 10 Drawing Sheets**



(56)

References Cited

U.S. PATENT DOCUMENTS

D526,876 S	8/2006	Smith		D665,647 S	8/2012	Friel, Sr. et al.	
D582,238 S *	12/2008	Mullen .....	D8/91	D666,886 S	9/2012	Rieser	
D587,088 S *	2/2009	Smith .....	D8/93	8,267,749 B2	9/2012	Smith et al.	
D587,550 S	3/2009	Smith		D669,755 S	10/2012	Huber et al.	
D587,551 S	3/2009	Friel, Sr. et al.		D673,833 S	1/2013	Kay	
D603,679 S *	11/2009	Smith .....	D8/93	D680,847 S	4/2013	Smith et al.	
D604,134 S	11/2009	Smith et al.		D685,622 S	7/2013	Jalet et al.	
D604,135 S	11/2009	Smith et al.		D736,587 S *	8/2015	Cavanaugh .....	D8/93
D626,397 S	11/2010	Smith et al.		D763,650 S	8/2016	Severinson et al.	
D629,273 S	12/2010	Friel, Sr. et al.		D773,913 S	12/2016	Severinson et al.	
D640,116 S	6/2011	Smith et al.		9,649,749 B2 *	5/2017	Weiner .....	B24D 15/082
D640,523 S	6/2011	Stutz et al.		D817,738 S	5/2018	Chen	
D640,909 S	7/2011	Stutz et al.		2009/0298401 A1	12/2009	Smith et al.	
D641,225 S	7/2011	Friel, Sr. et al.		2009/0325473 A1 *	12/2009	Smith .....	B24D 15/08 451/555
D641,226 S	7/2011	Friel, Sr. et al.		2014/0120812 A1 *	5/2014	Smith .....	B24D 15/081 451/552
8,221,199 B2	7/2012	Smith		2016/0207171 A1 *	7/2016	Weiner .....	B24D 15/082

\* cited by examiner

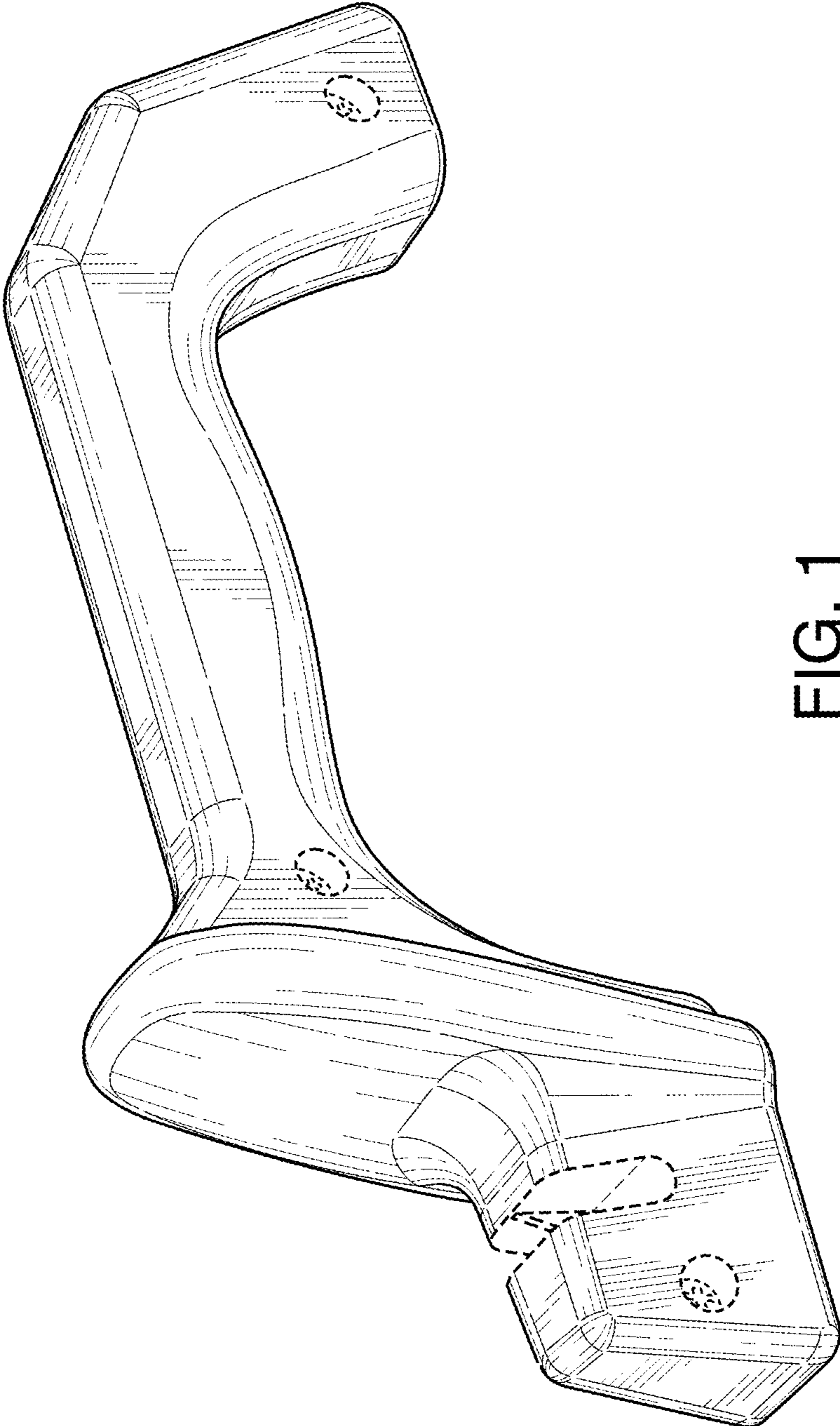


FIG. 1

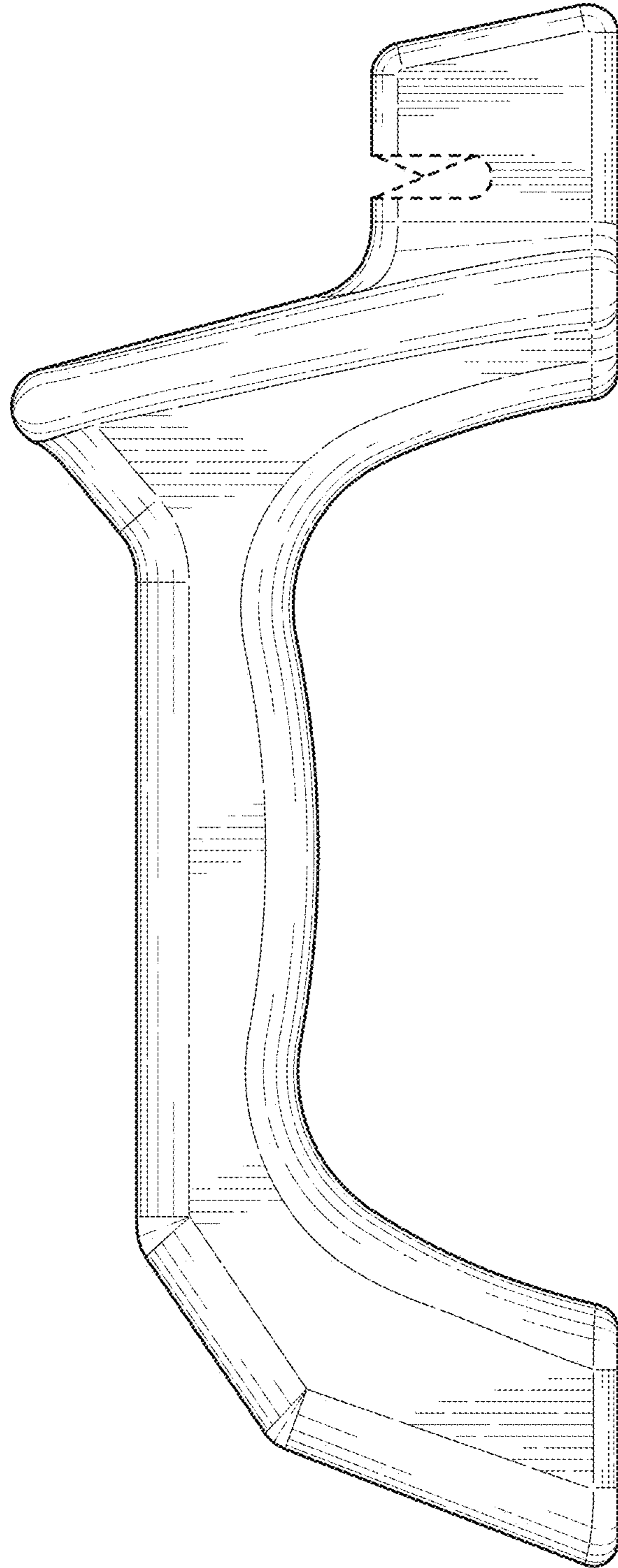


FIG. 2

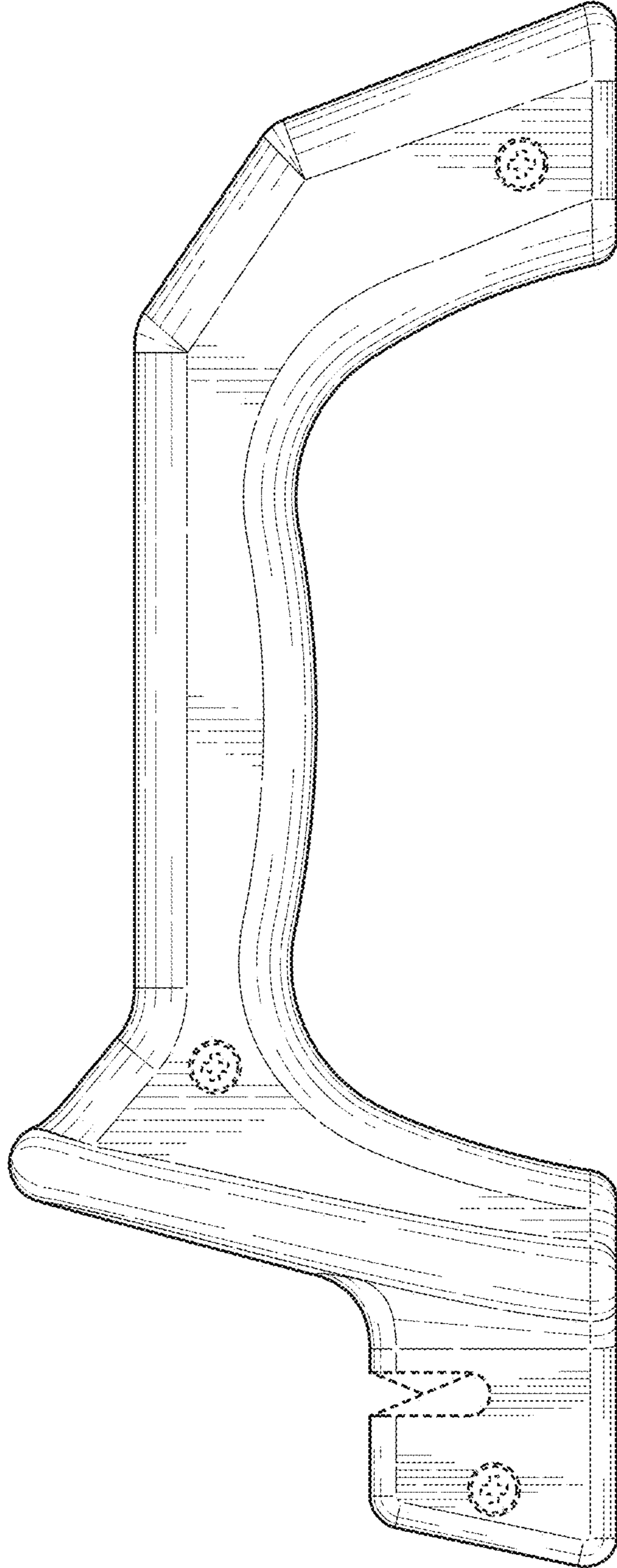


FIG. 3

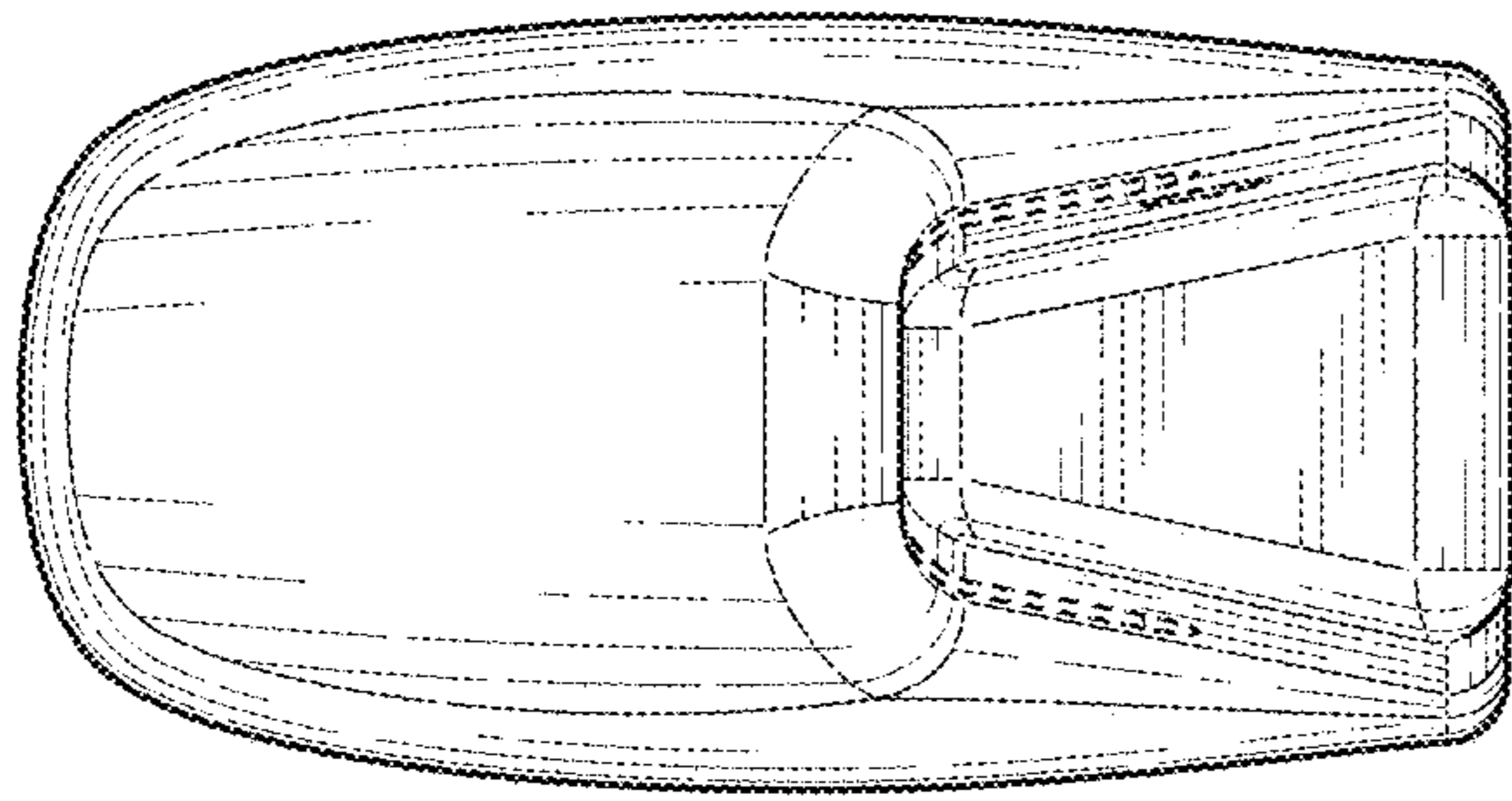


FIG. 4

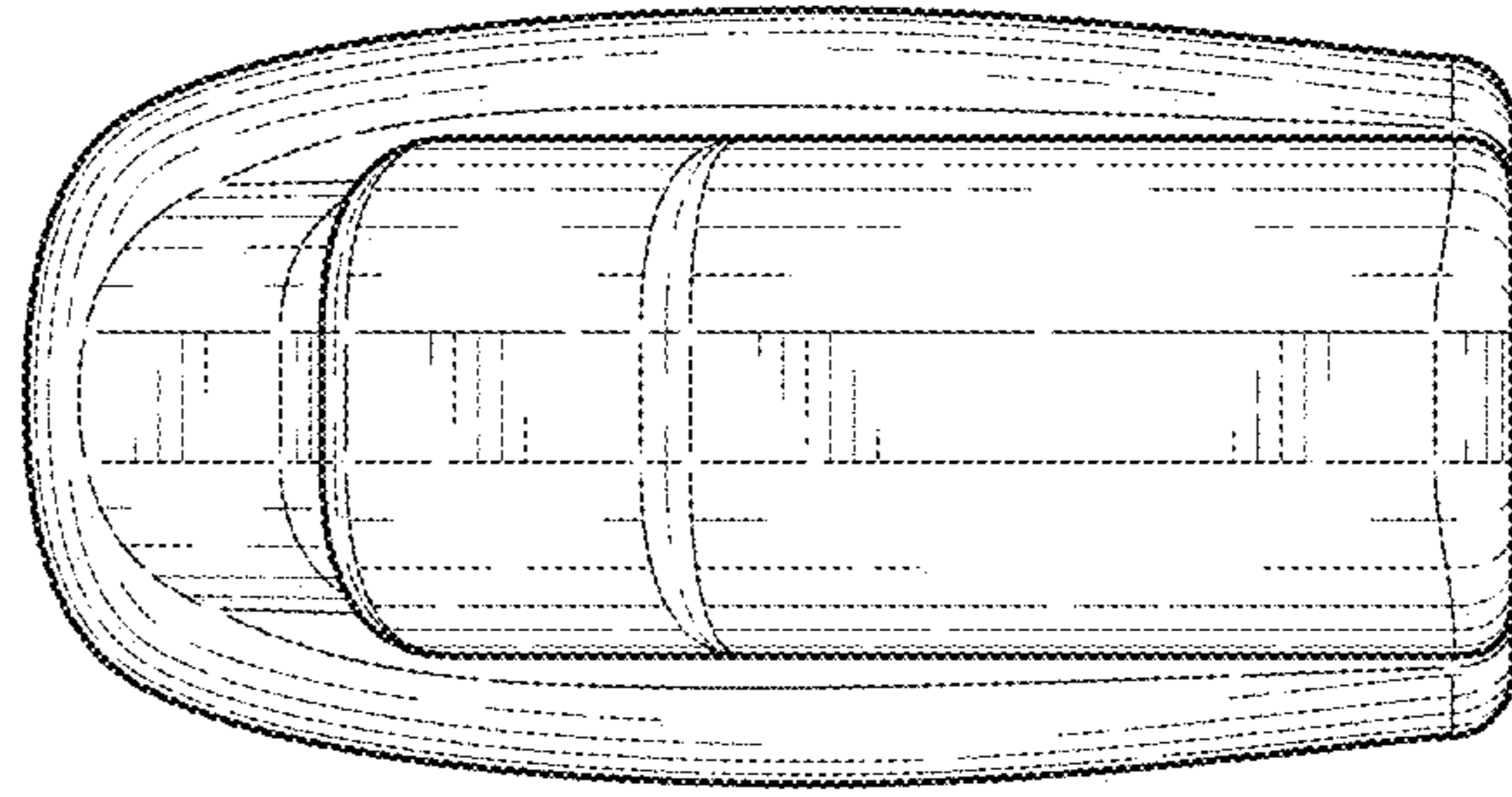


FIG. 5

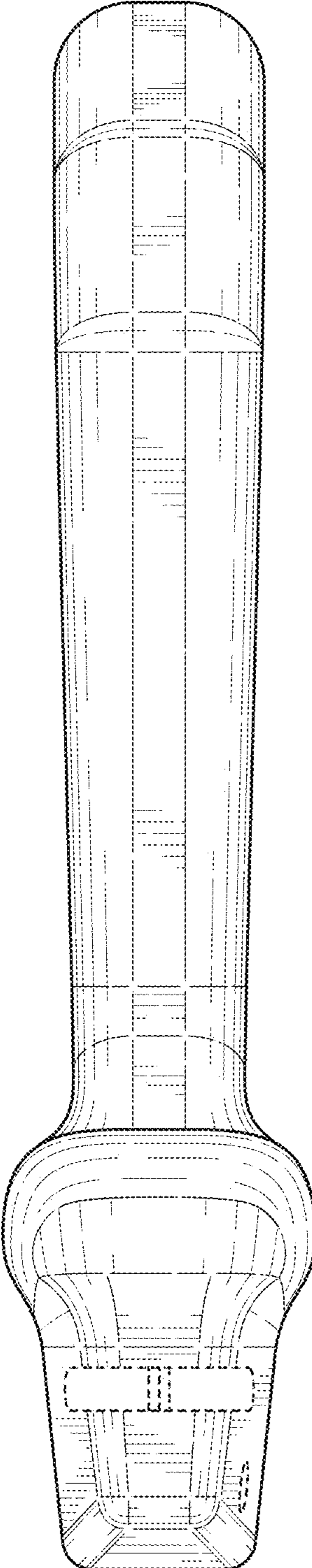


FIG. 6

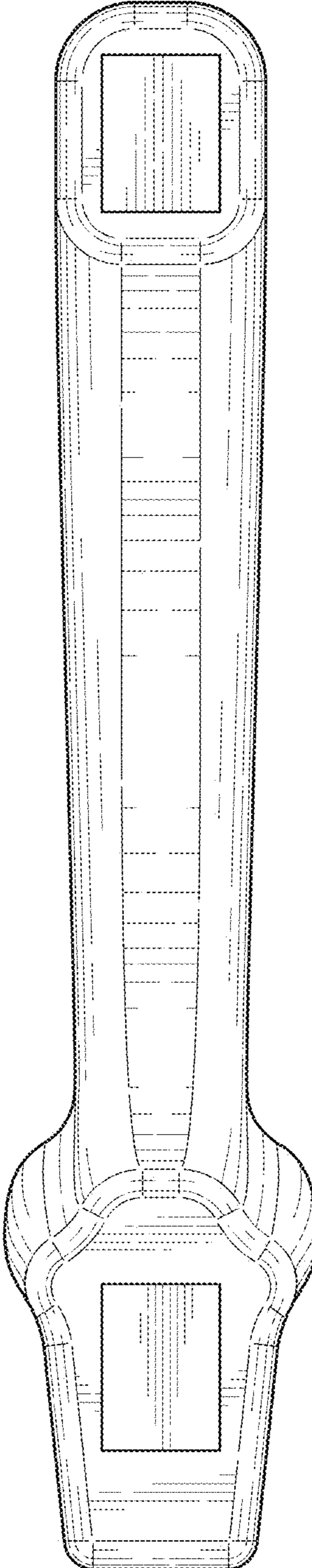


FIG. 7

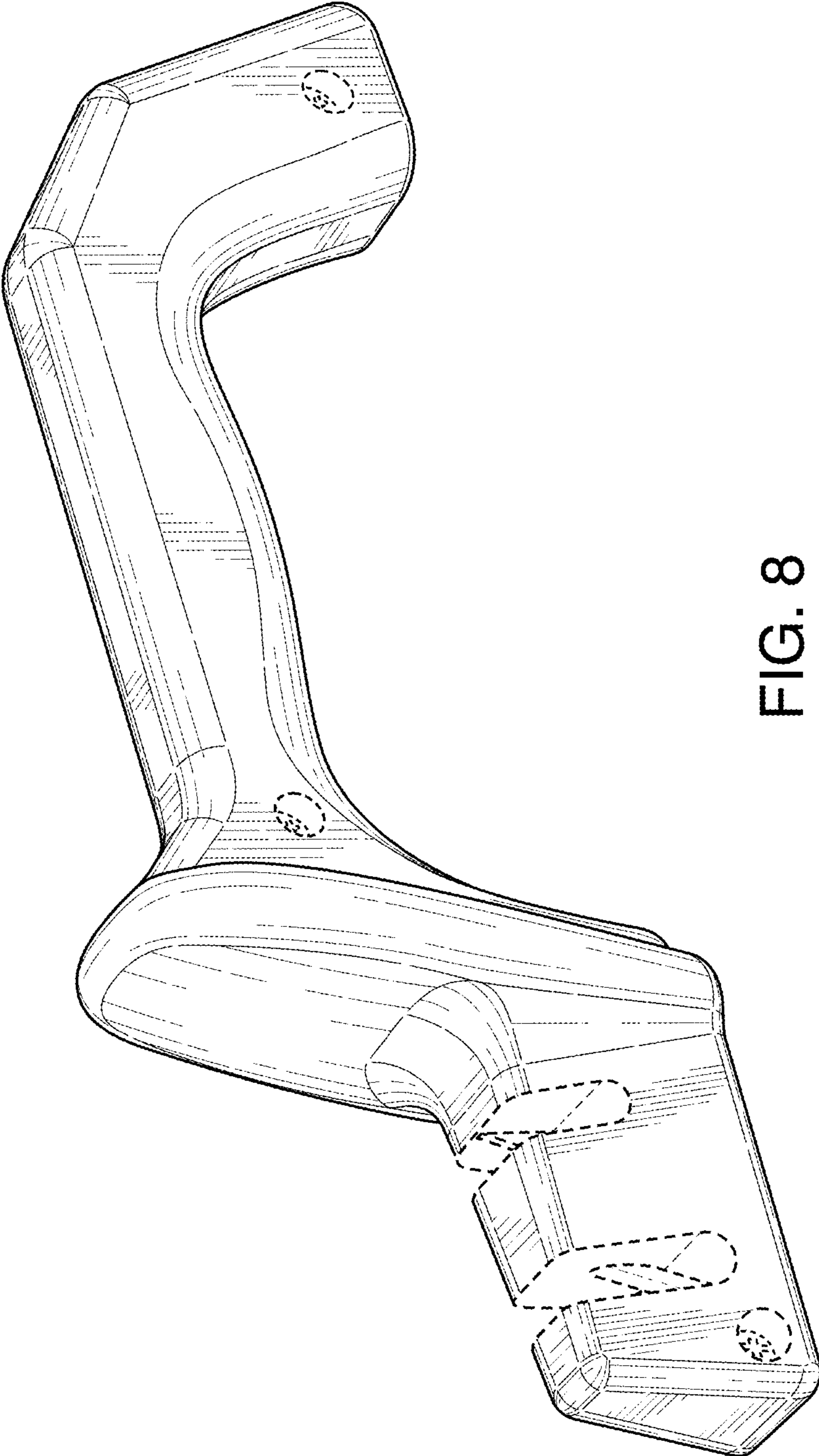


FIG. 8



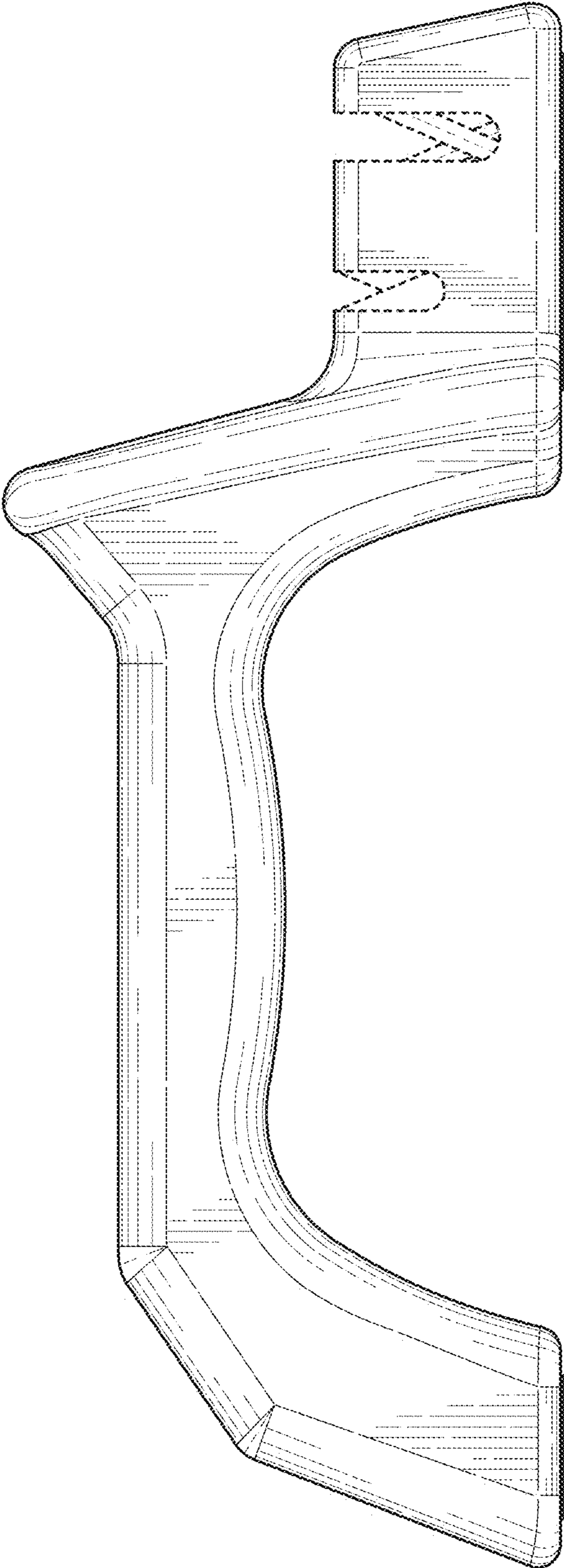


FIG. 9

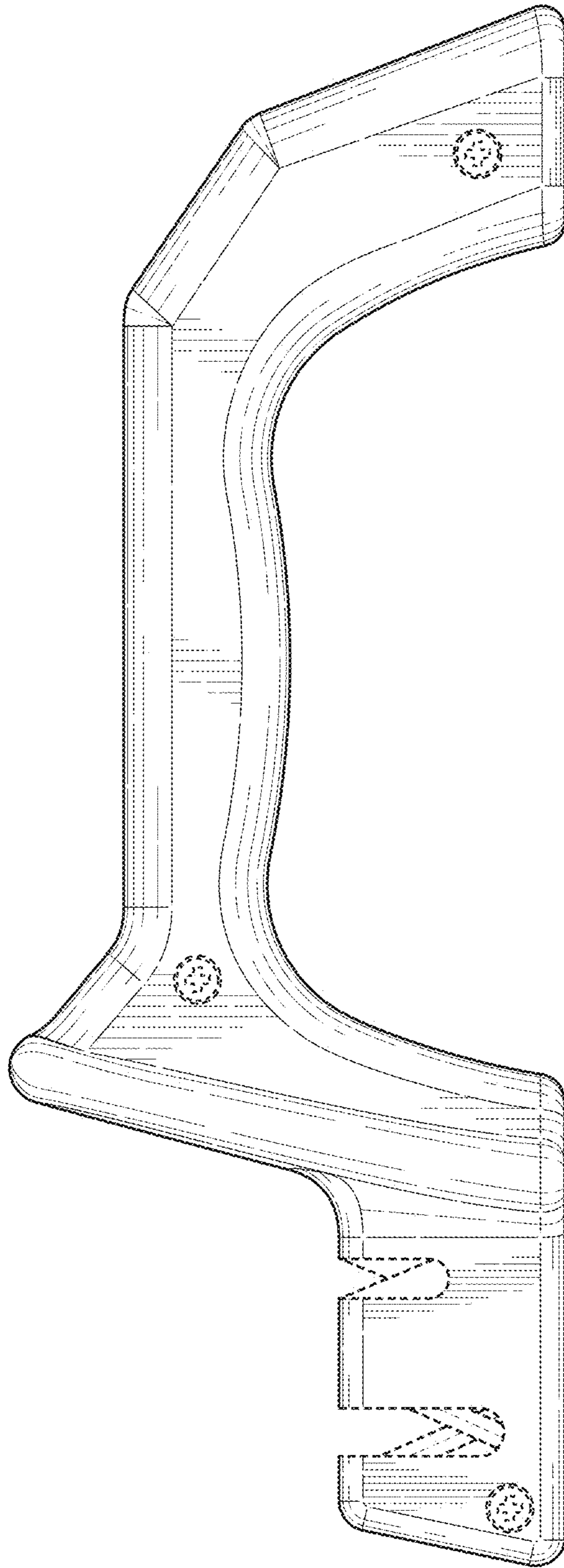


FIG. 10

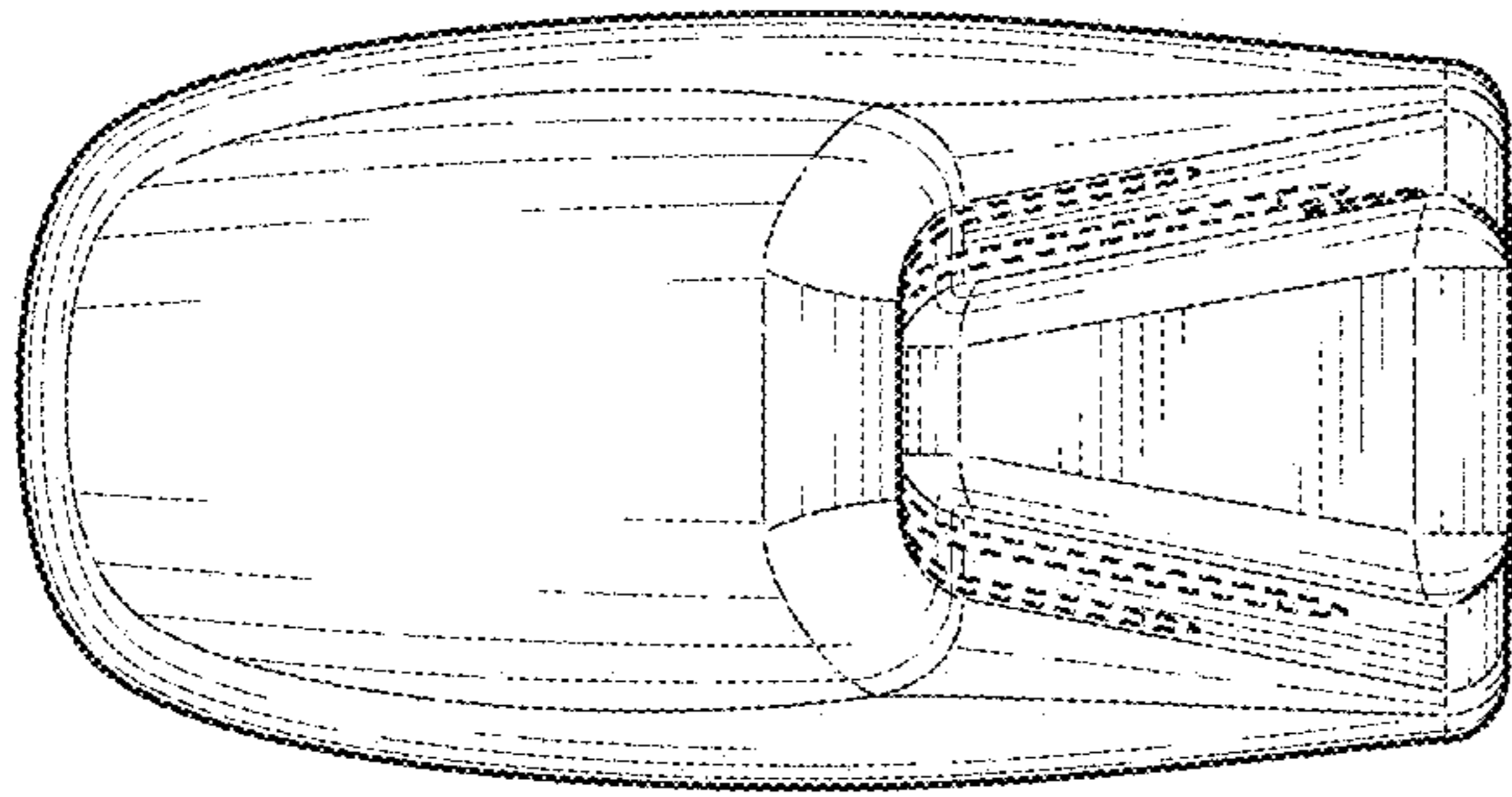


FIG. 11

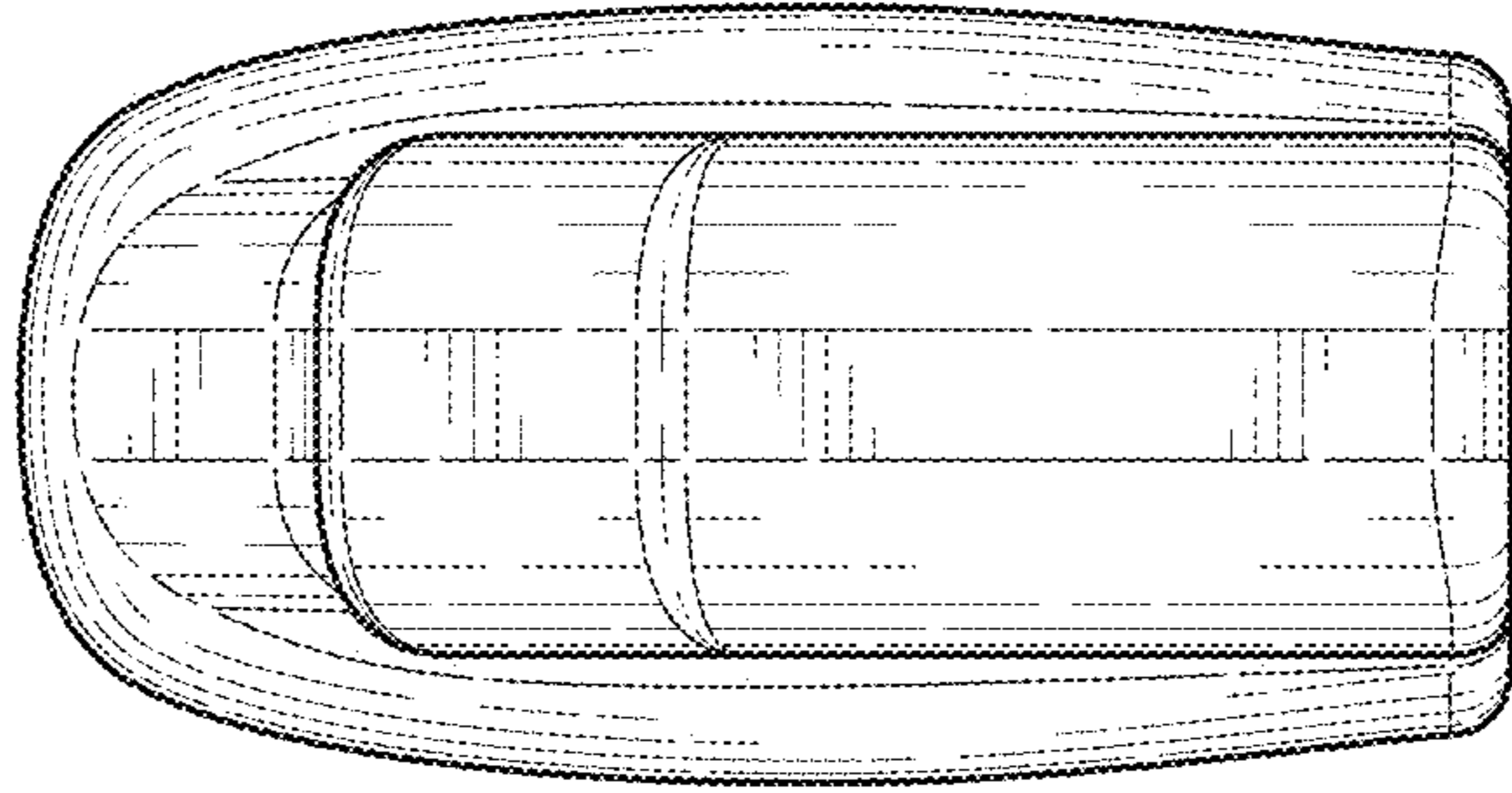


FIG. 12

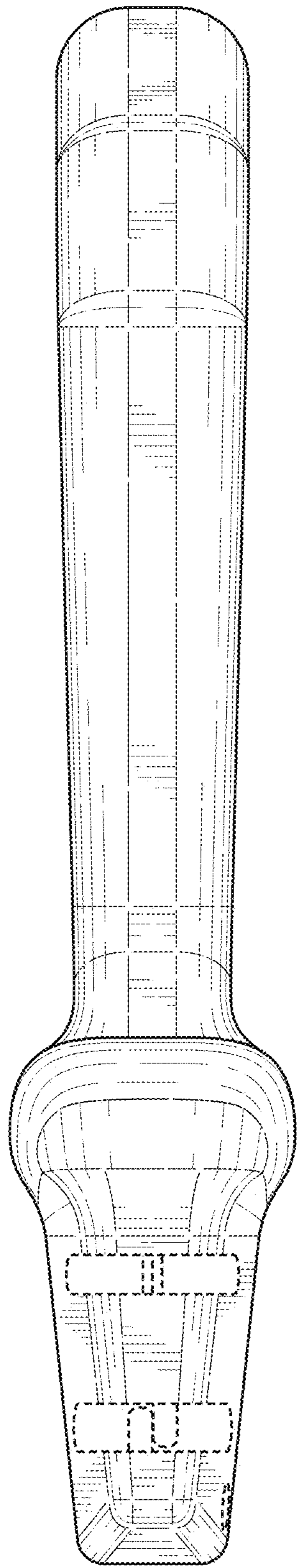


FIG. 13

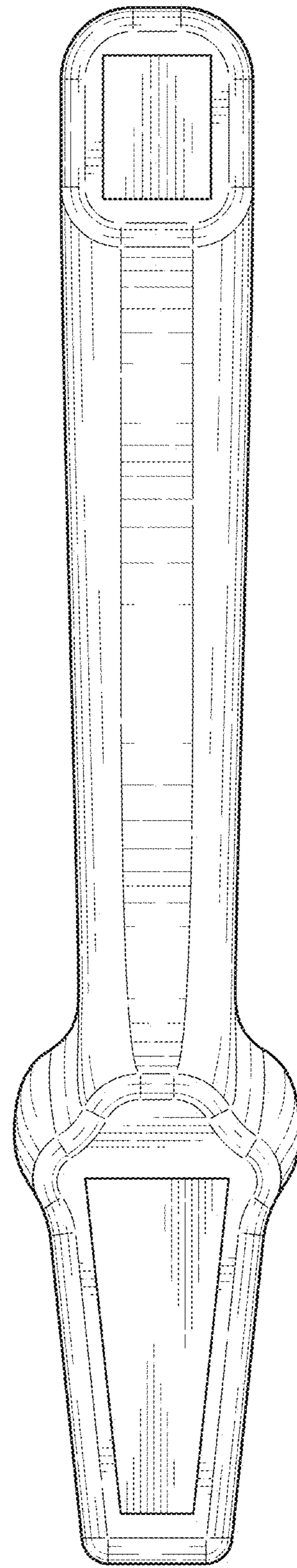


FIG. 14