



US00D884449S

(12) **United States Design Patent**
Chalfant et al.

(10) **Patent No.:** **US D884,449 S**

(45) **Date of Patent:** **** May 19, 2020**

(54) **KNIFE SHARPENER WITH FOUR SHARPENING SLOTS**

(71) Applicant: **Smith's Consumer Products, Inc.**, Hot Springs, AR (US)

(72) Inventors: **Louis Chalfant**, Hot Springs, AR (US); **Ricky L. Dukes**, Knoxville, TN (US)

(73) Assignee: **Smith's Consumer Products, Inc.**, Hot Springs, AR (US)

(**) Term: **15 Years**

(21) Appl. No.: **29/679,613**

(22) Filed: **Feb. 7, 2019**

(51) **LOC (12) Cl.** **08-05**

(52) **U.S. Cl.**
USPC **D8/93**

(58) **Field of Classification Search**
USPC D8/63, 90, 91, 92, 93
CPC B24B 3/54; B24B 3/36; B24B 3/58; B24B 3/00; B24B 23/08; B24B 15/00; B24B 15/06; B24B 15/063; B24B 15/08
See application file for complete search history.

(56) **References Cited**

U.S. PATENT DOCUMENTS

2,249,218 A 7/1941 Meade et al.
D499,004 S 11/2004 Smith
D575,125 S * 8/2008 Smith D8/63
(Continued)

FOREIGN PATENT DOCUMENTS

CA 2703522 11/2011
CA 142214 4/2012
(Continued)

OTHER PUBLICATIONS

Product Listing for "2-Step Knife Sharpener," <https://www.smithsproducts.com/2-step-knife-sharpener> (last accessed: Oct. 4, 2018).

Primary Examiner — Philip S Hyder

(74) *Attorney, Agent, or Firm* — Richard Blakely Glasgow

(57) **CLAIM**

The ornamental design for a knife sharpener with four sharpening slots, as shown.

DESCRIPTION

FIG. 1 is a front perspective view of an embodiment of the present invention in the first open position.

FIG. 2 is a front view of an embodiment of the present invention in the first open position.

FIG. 3 is a right side view of an embodiment of the present invention.

FIG. 4 is a back view of an embodiment of the present invention in the first open position.

FIG. 5 is a left side view of an embodiment of the present invention.

FIG. 6 is a top view of an embodiment of the present invention in the first open position.

FIG. 7 is a bottom view of an embodiment of the present invention in the first open position.

FIG. 8 is a front perspective view of an embodiment of the present invention in the second open position.

FIG. 9 is a front view of an embodiment of the present invention in the second open position.

FIG. 10 is a back view of an embodiment of the present invention in the second open position.

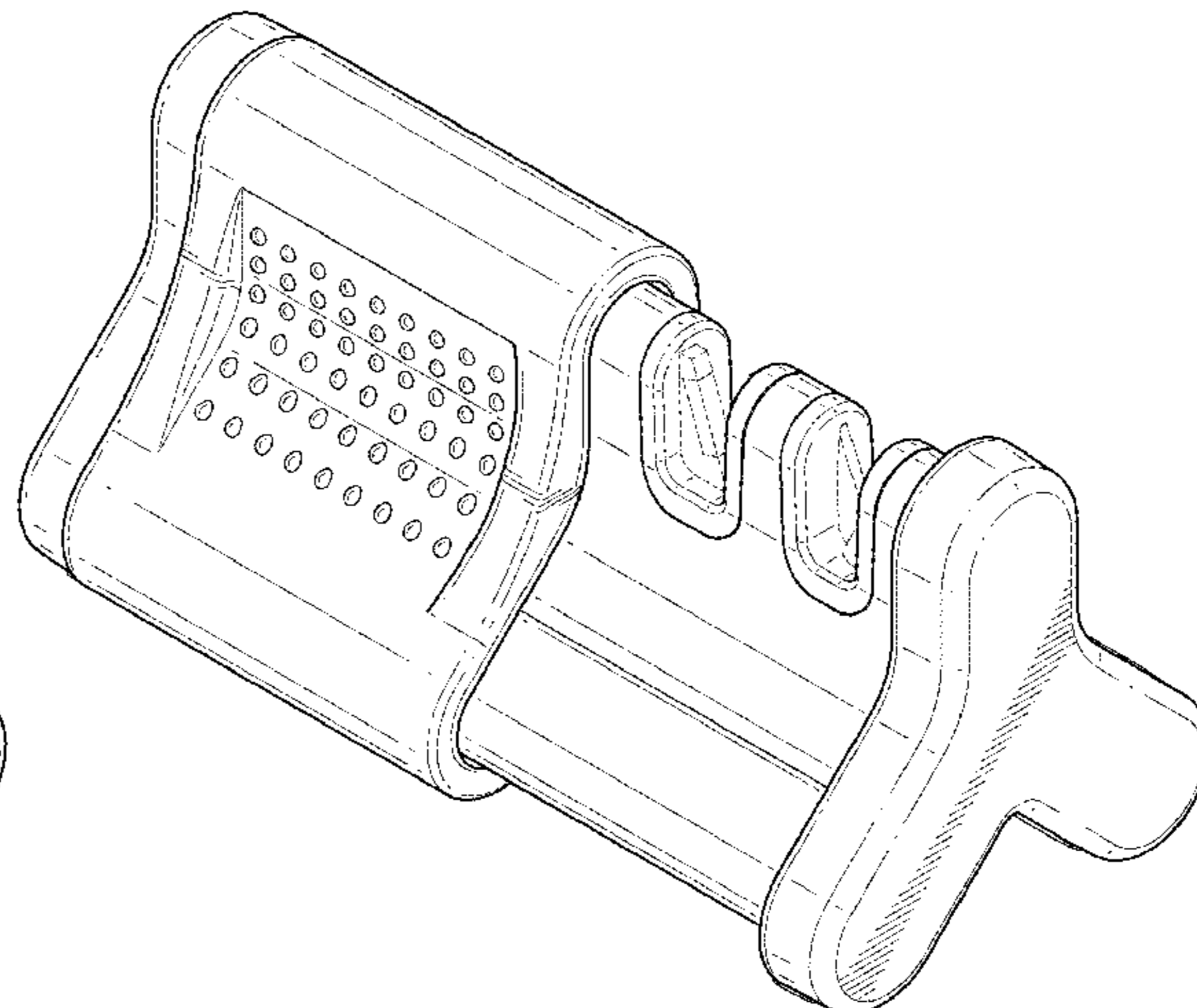
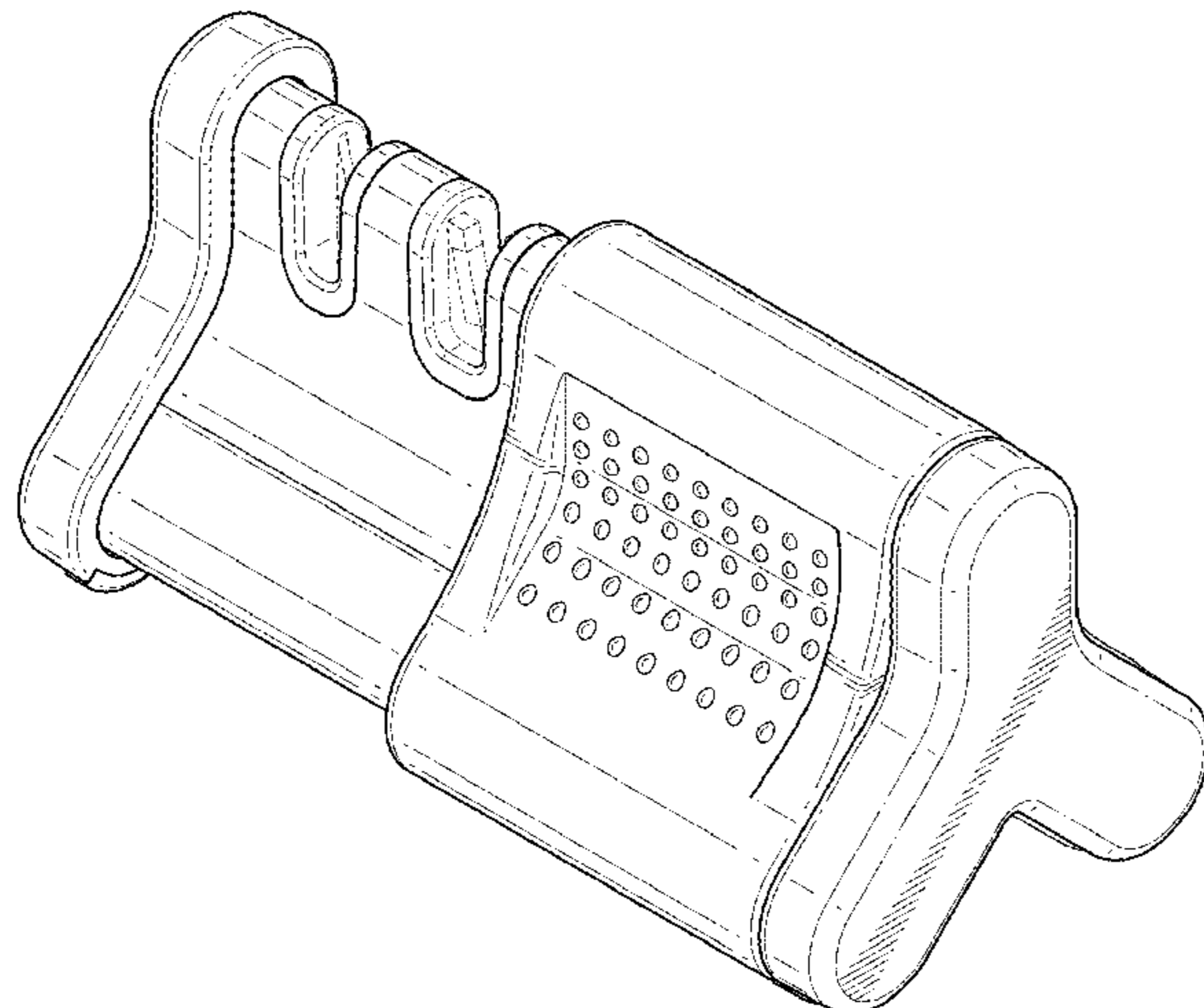
FIG. 11 is a top view of an embodiment of the present invention in the second open position; and,

FIG. 12 is a bottom view of an embodiment of the present invention in the second open position.

The broken lines shown in the drawings indicate structure and features which form no part of the claimed design.

The invention pertains to an ornamental design for an article of manufacture, which can be scaled to different sizes.

1 Claim, 7 Drawing Sheets



(56)

References Cited

U.S. PATENT DOCUMENTS

D575,130 S 8/2008 Smith
 D578,581 S 10/2008 Smith
 D587,550 S 3/2009 Smith
 D626,397 S * 11/2010 Smith D8/93
 D640,523 S * 6/2011 Stutz D8/93
 8,206,199 B2 6/2012 Smith et al.
 8,221,199 B2 7/2012 Smith
 D668,524 S * 10/2012 Yang D8/93
 D680,845 S 4/2013 Smith
 D680,846 S 4/2013 Smith et al.
 D680,847 S 4/2013 Smith et al.
 8,425,281 B2 4/2013 Smith et al.
 8,512,105 B2 8/2013 Smith
 D699,534 S * 2/2014 Elek D8/63
 8,696,407 B2 4/2014 Dovel
 8,727,836 B2 5/2014 Smith et al.
 8,944,894 B2 2/2015 Smith et al.
 D723,898 S 3/2015 Smith

D754,514 S * 4/2016 Huber D8/93
 9,333,612 B2 5/2016 Dovel
 9,358,654 B1 6/2016 Dovel
 9,849,556 B2 12/2017 Dovel
 D813,004 S * 3/2018 Huber D8/93
 9,956,662 B2 5/2018 Dovel
 2004/0198198 A1 10/2004 Friel
 2008/0261494 A1 10/2008 Friel
 2009/0298401 A1 12/2009 Smith
 2011/0201257 A1 8/2011 Walker
 2014/0057541 A1 2/2014 Smith
 2015/0321320 A1 11/2015 Smith
 2018/0056468 A1 3/2018 Dovel

FOREIGN PATENT DOCUMENTS

EP 001002117-0003 11/2008
 EP 001915612-0001 11/2011
 EP 2103386 11/2012

* cited by examiner

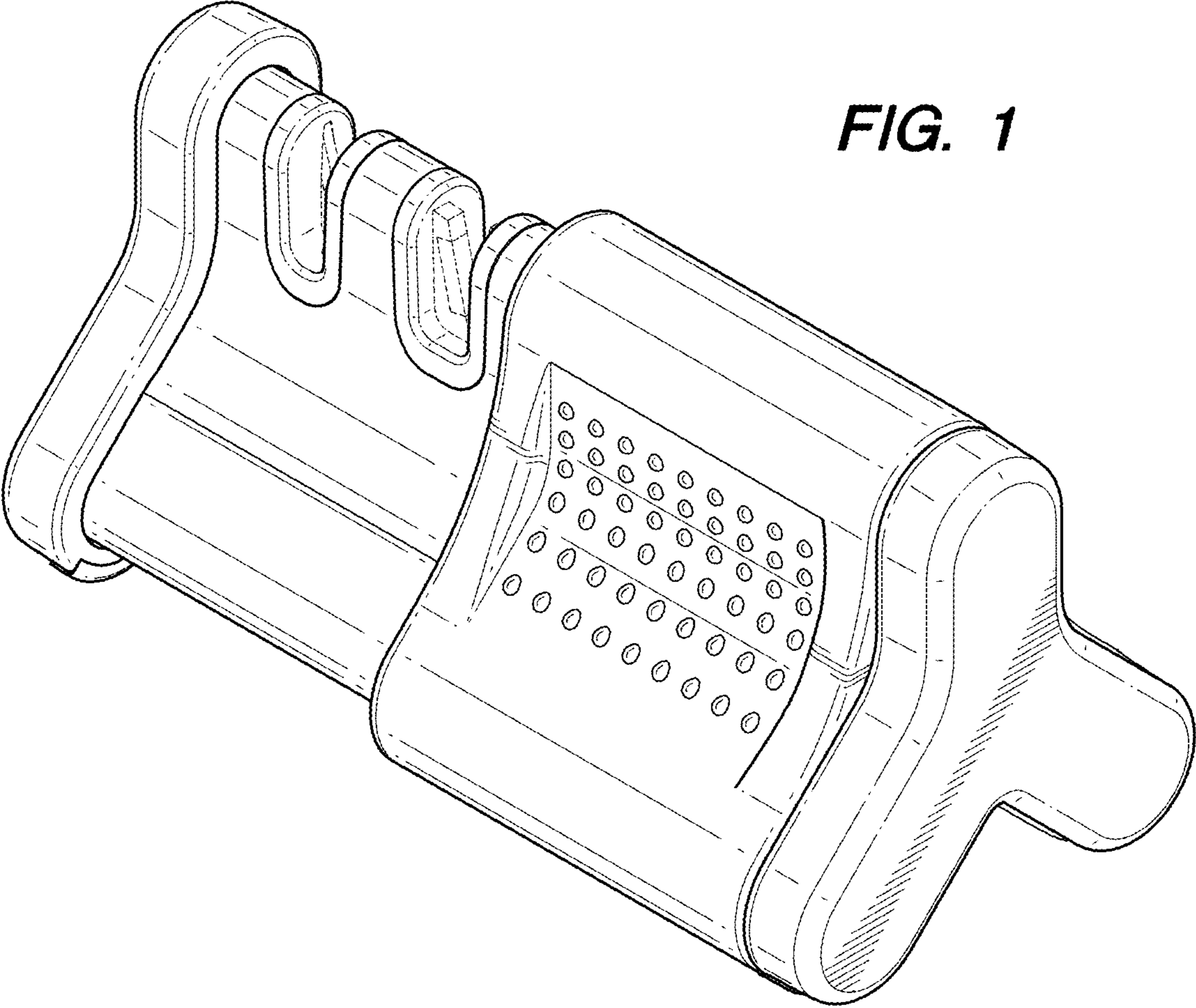


FIG. 1

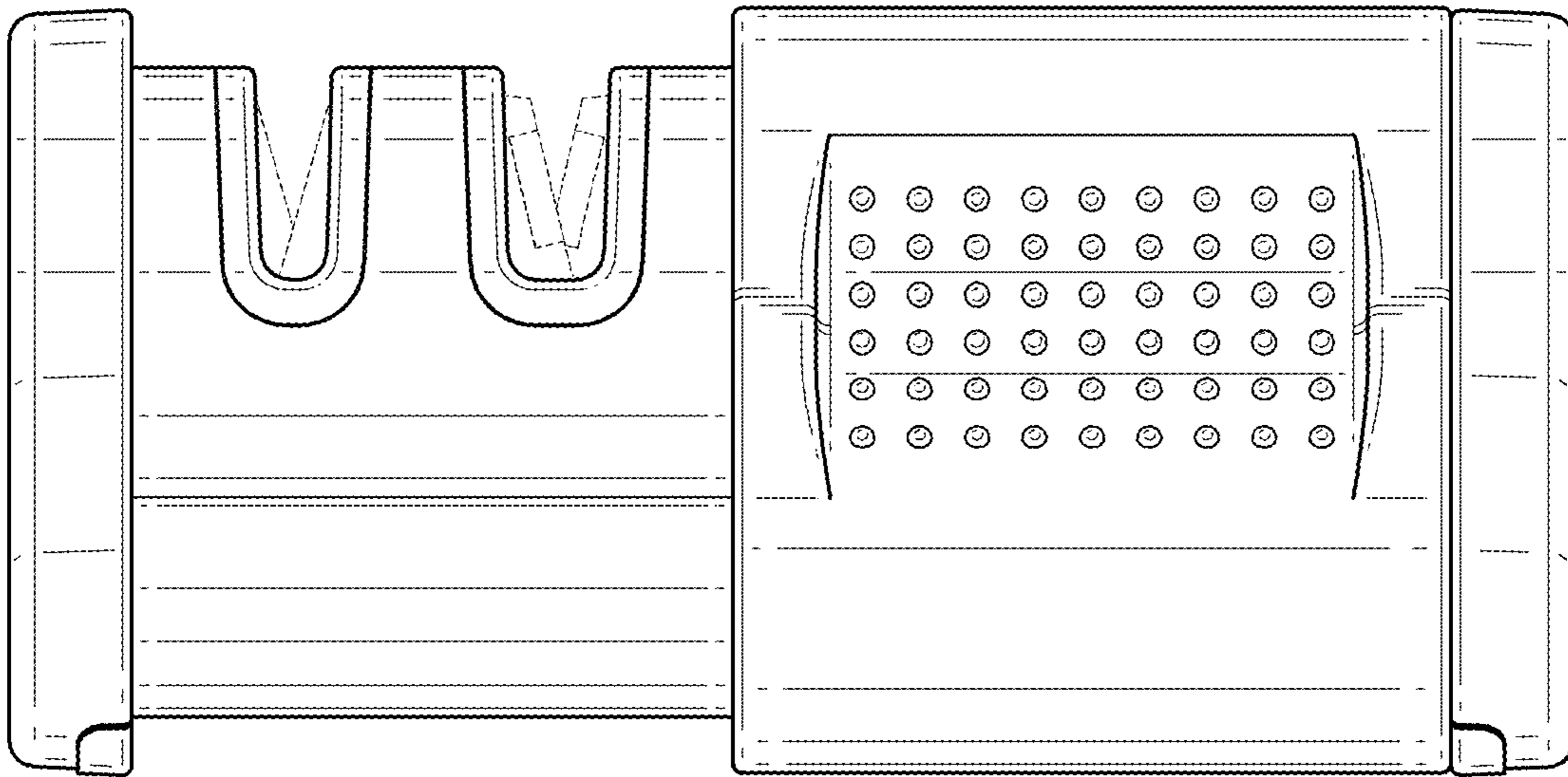


FIG. 2

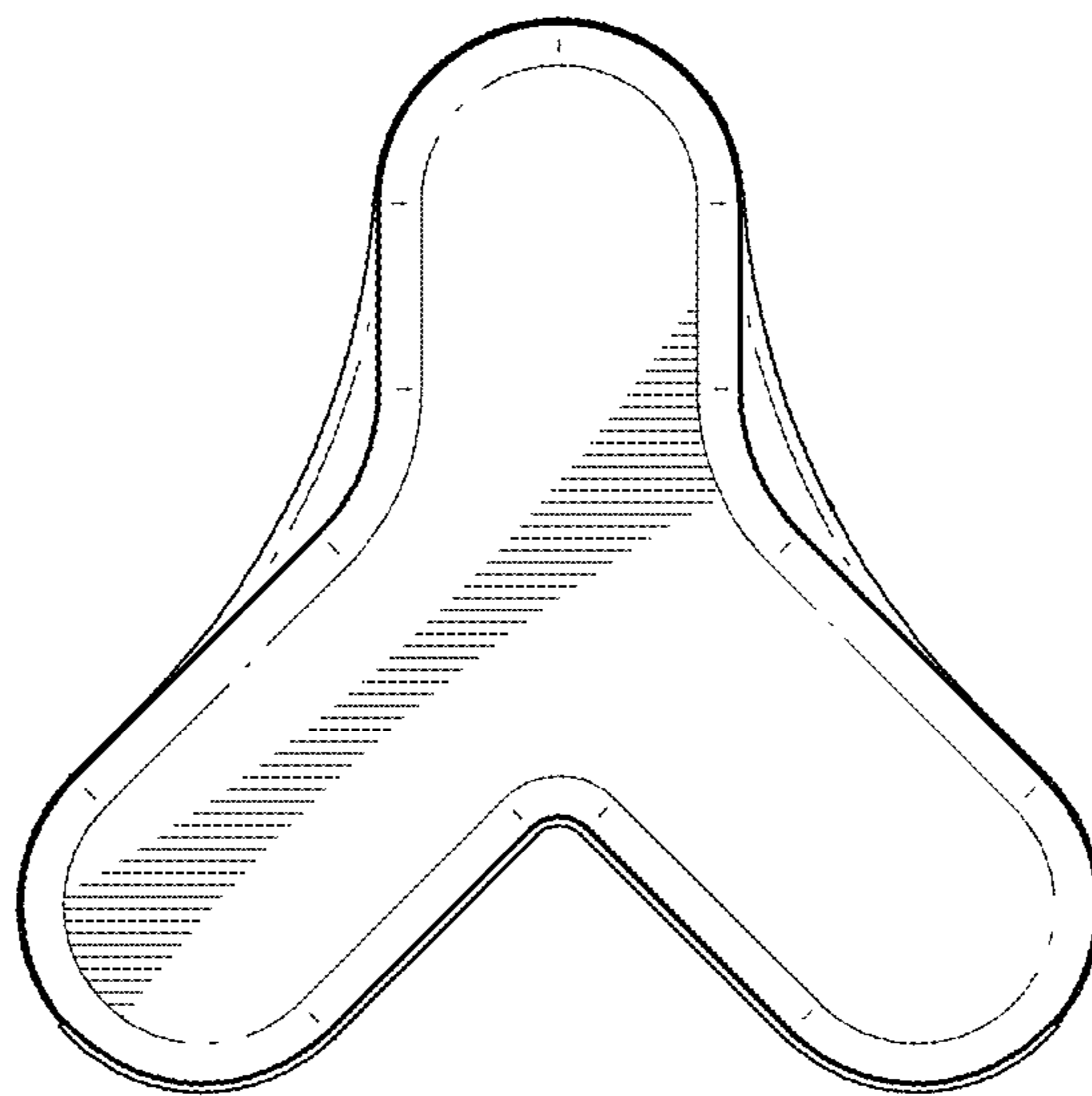


FIG. 3

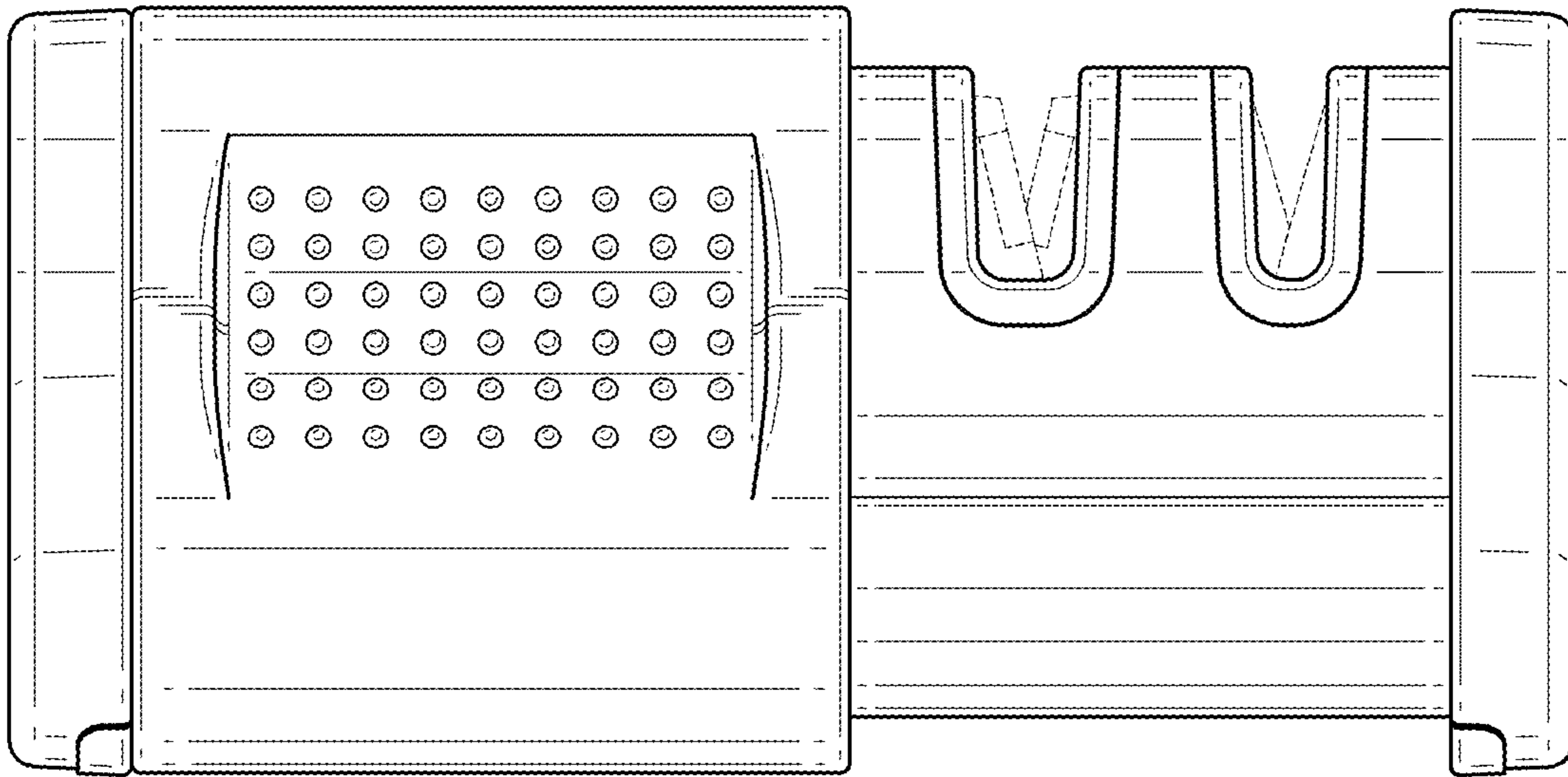


FIG. 4

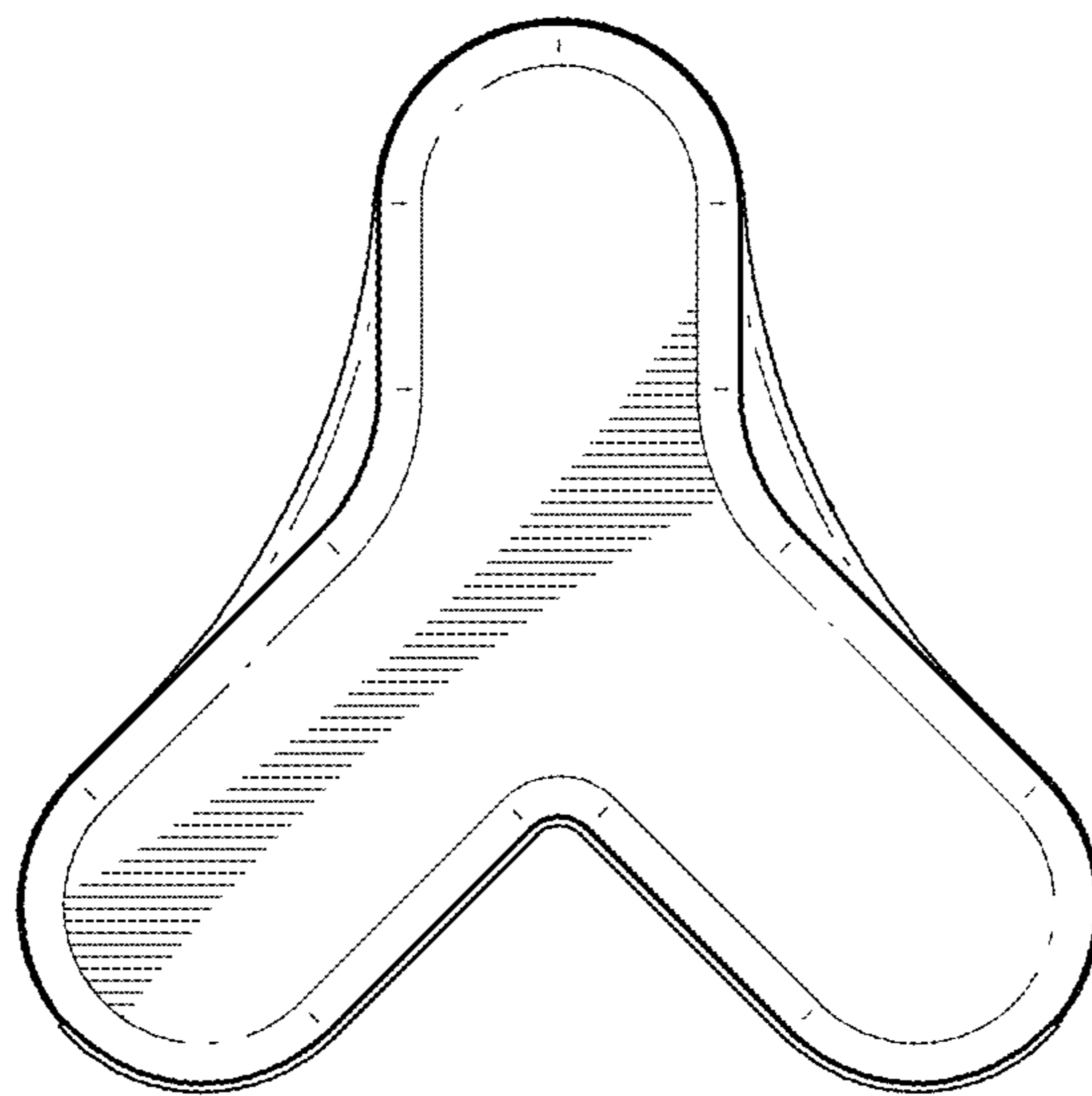


FIG. 5

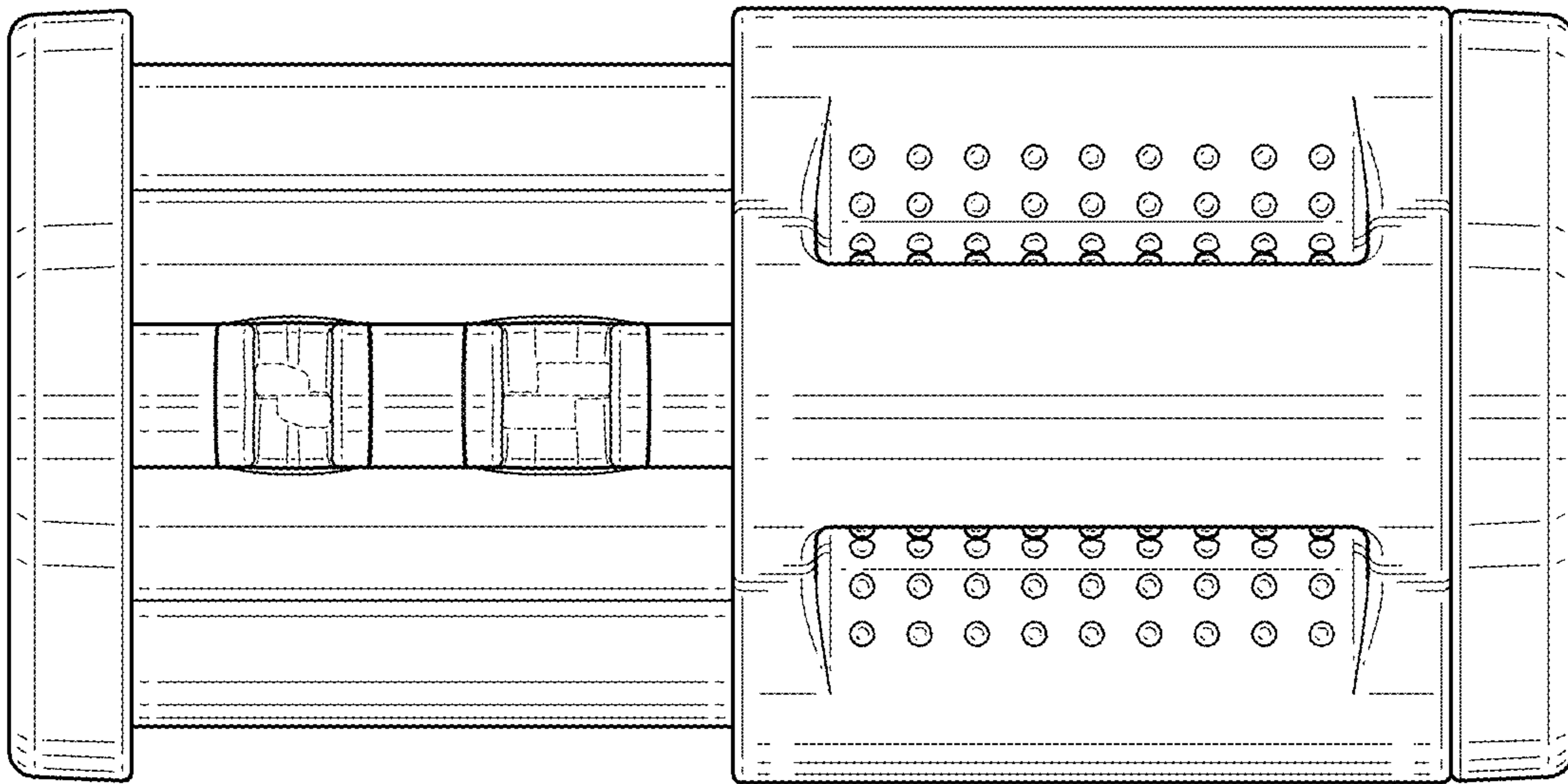


FIG. 6

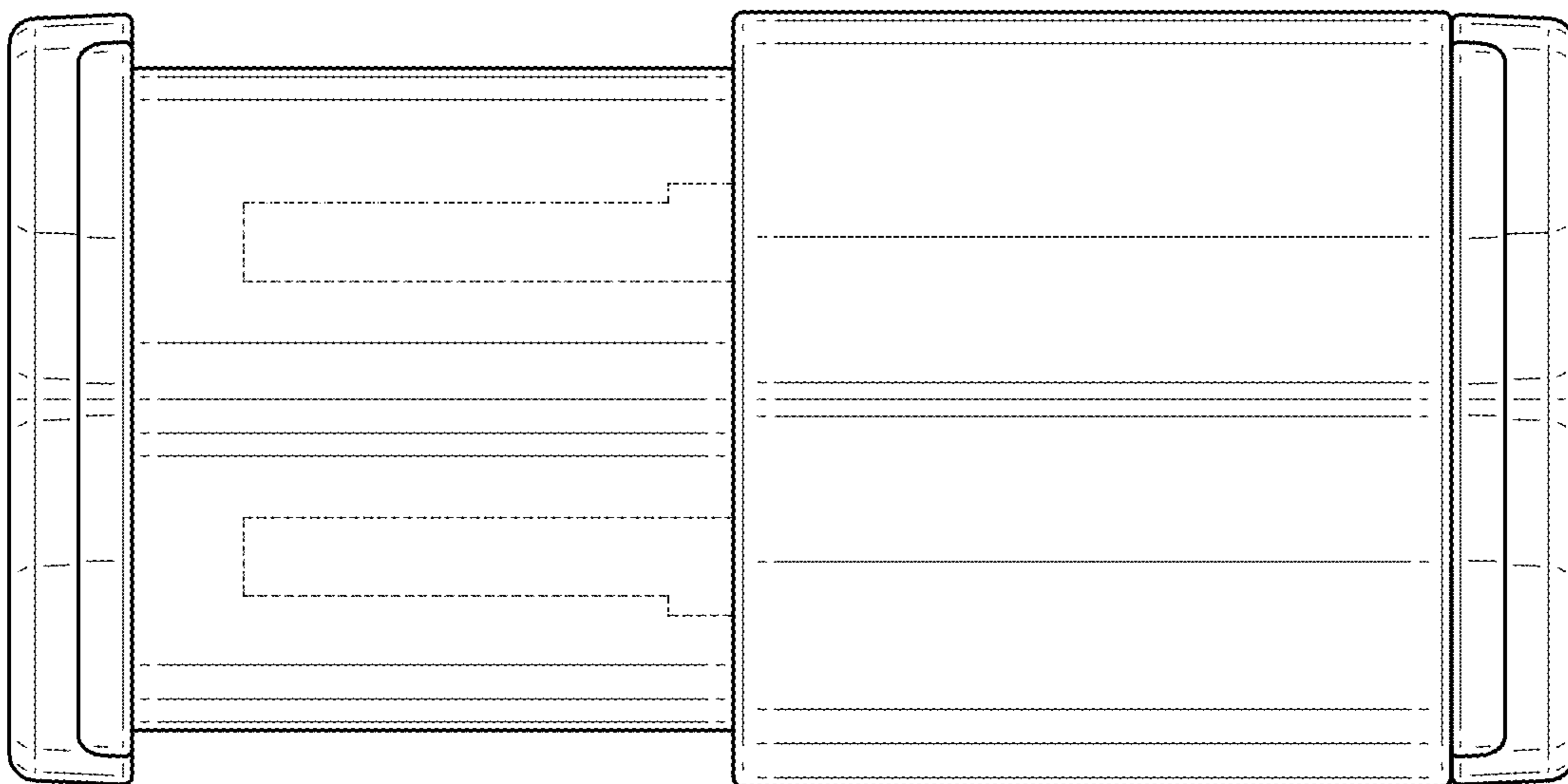


FIG. 7

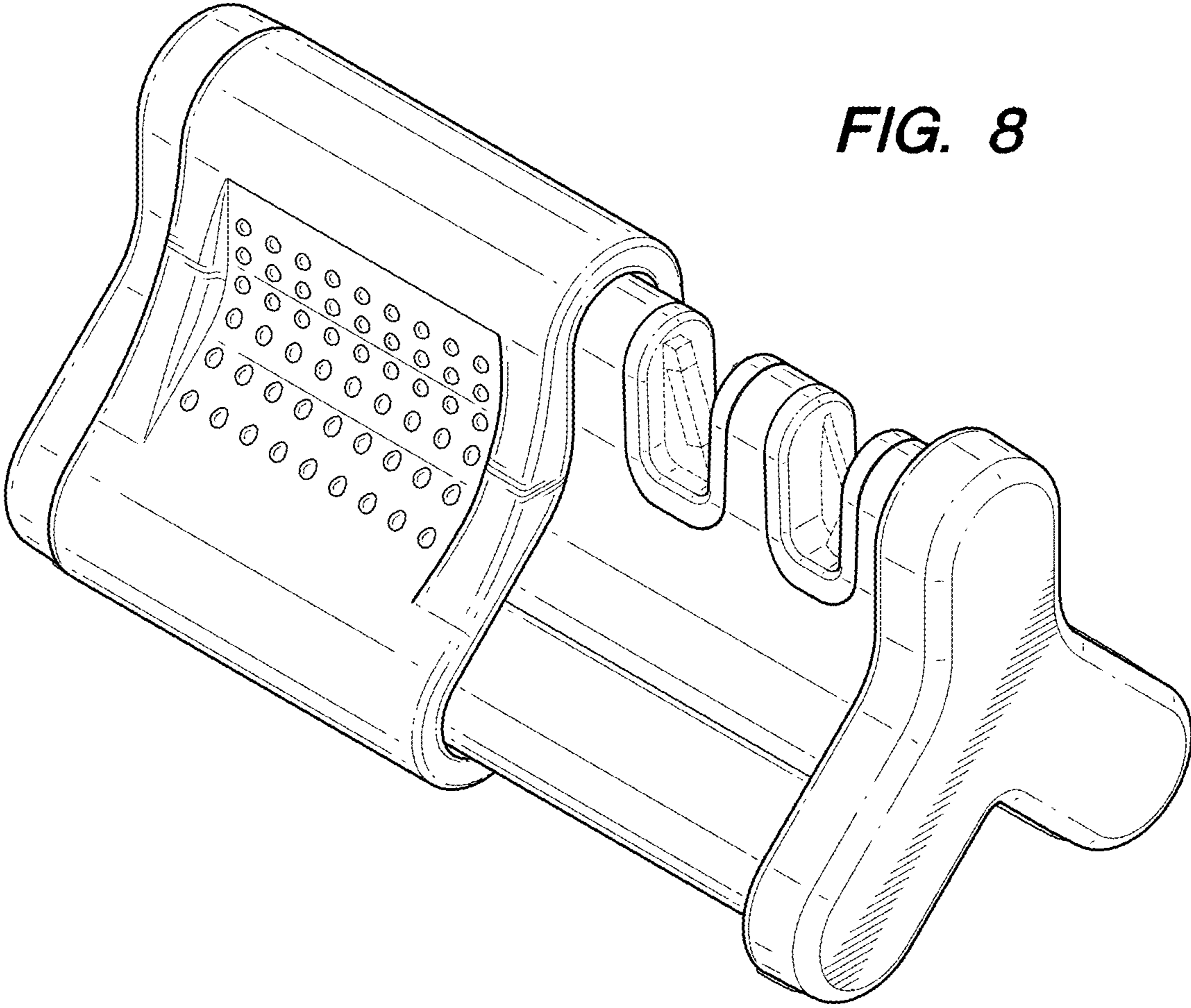


FIG. 8

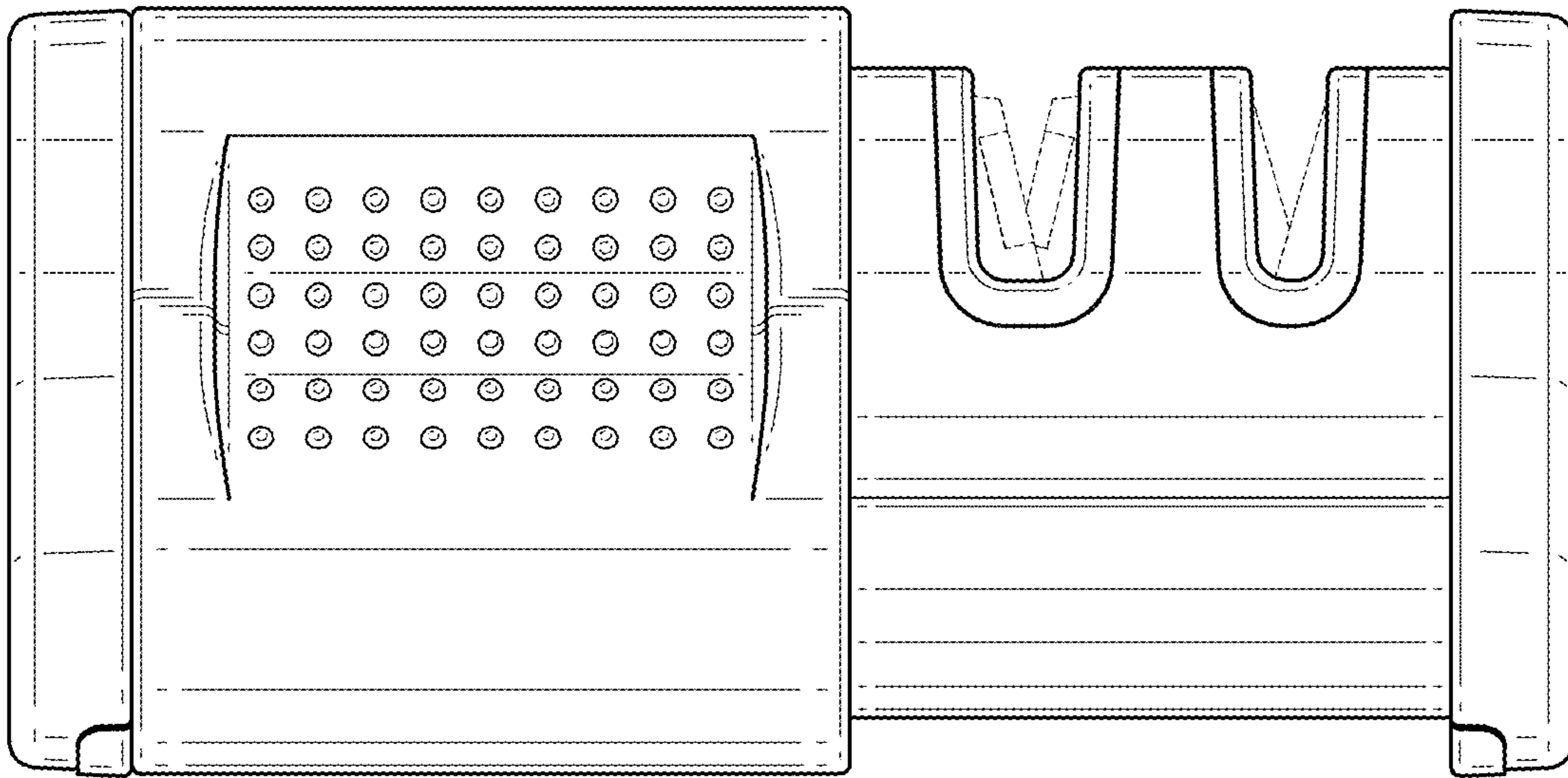


FIG. 9

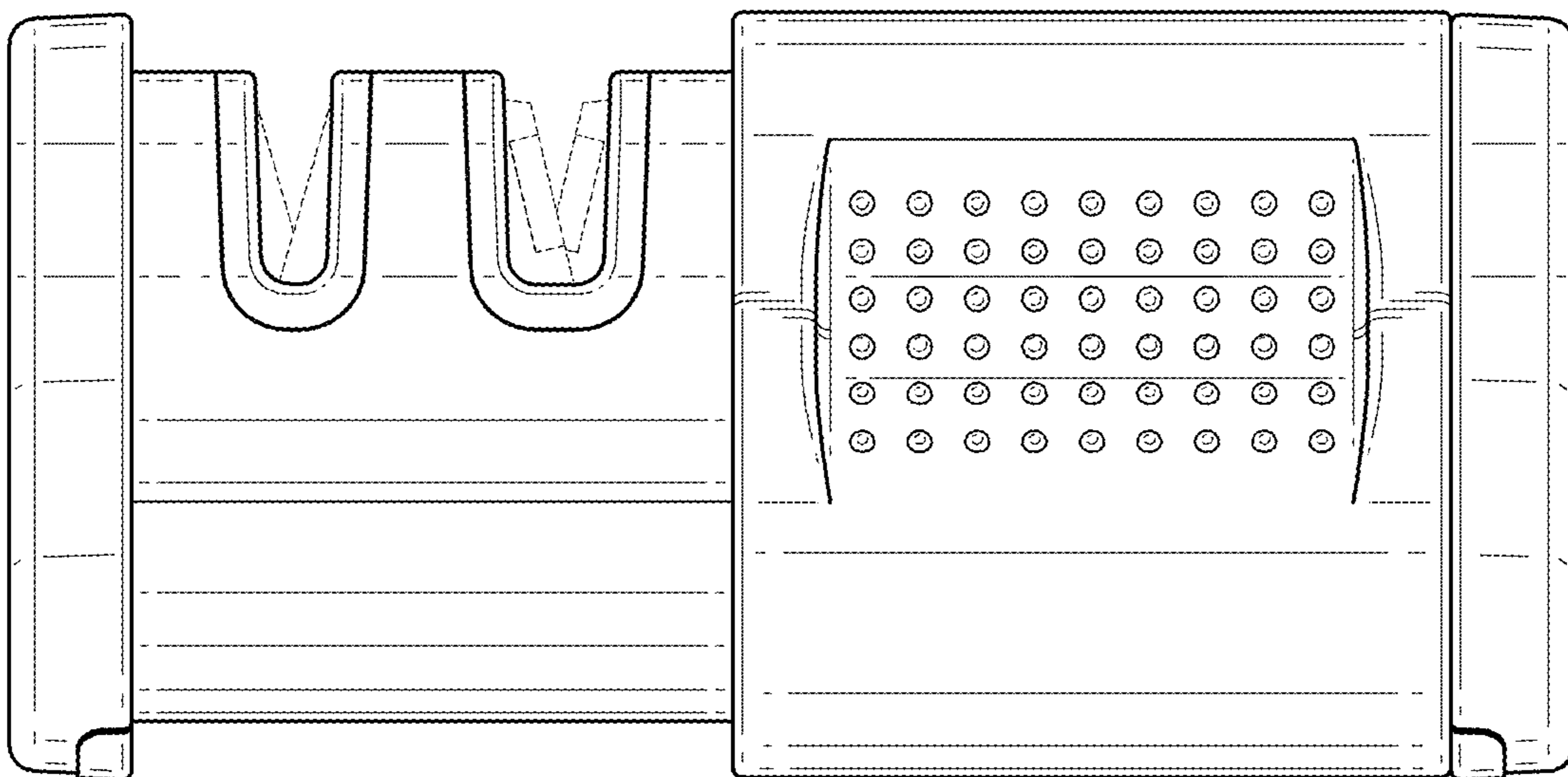


FIG. 10

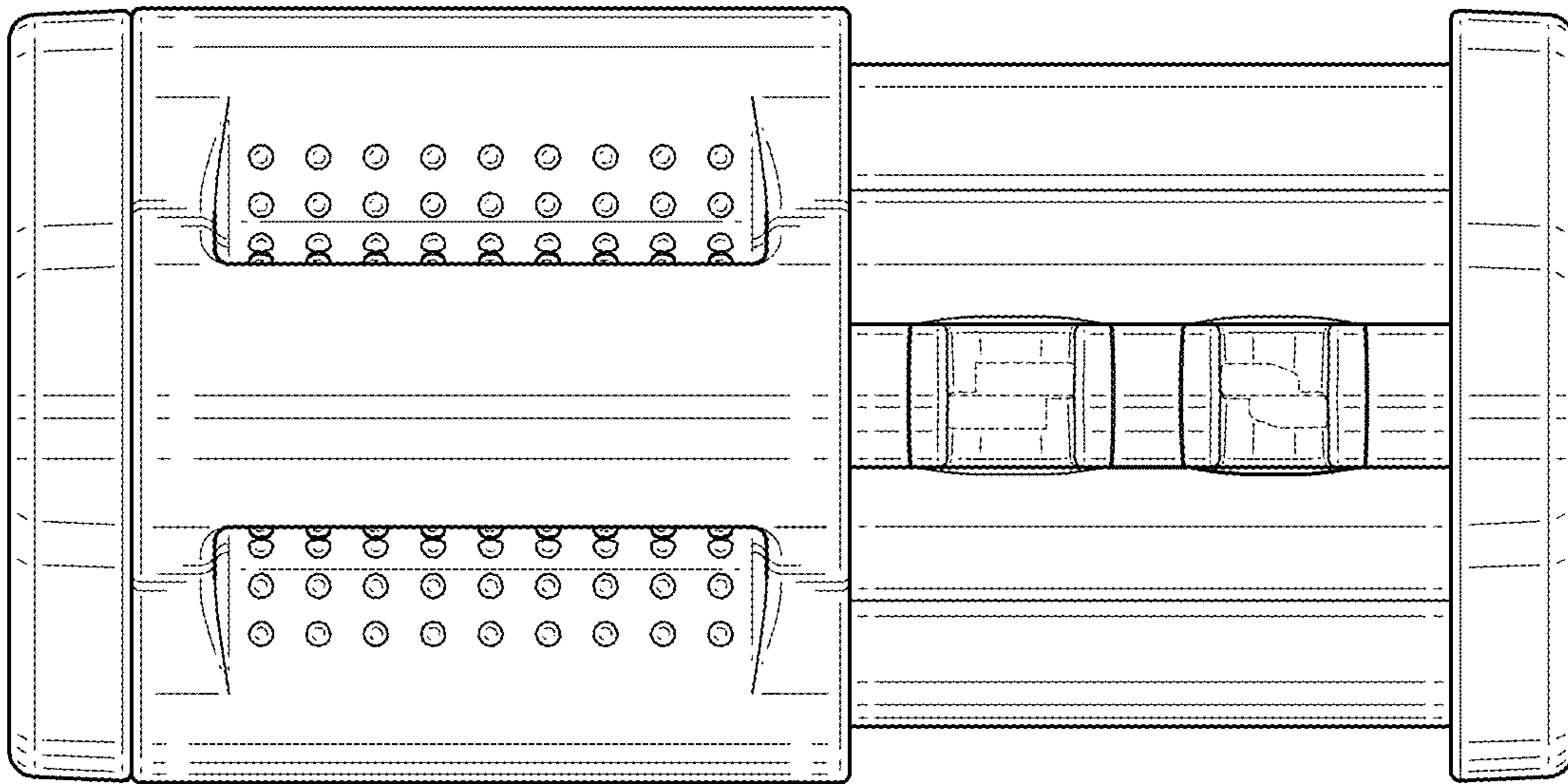


FIG. 11

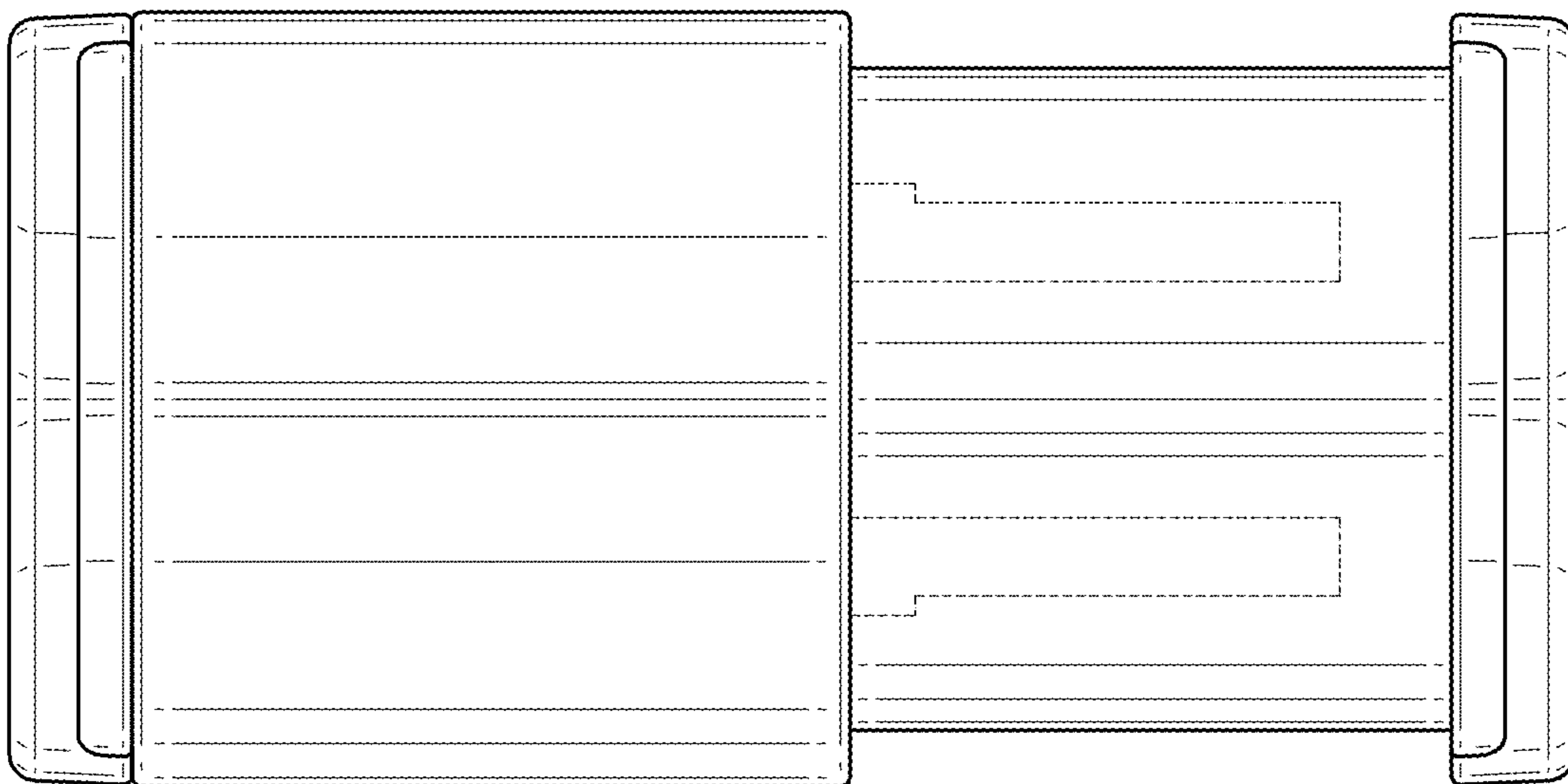


FIG. 12