



US00D884448S

(12) **United States Design Patent**
Weinberg et al.

(10) **Patent No.:** **US D884,448 S**

(45) **Date of Patent:** **** May 19, 2020**

(54) **CLAMP**

(71) Applicant: **BESSEY Tool GmbH & Co. KG**,
Bietigheim-Bissingen (DE)

(72) Inventors: **Andreas Weinberg**, Filderstadt (DE);
Martin Ruf, Filderstadt (DE)

(73) Assignee: **BESSEY Tool GmbH & Co. KG**,
Bietigheim-Bissingen (DE)

(**) Term: **15 Years**

(21) Appl. No.: **29/650,829**

(22) Filed: **Jun. 11, 2018**

(30) **Foreign Application Priority Data**

Dec. 21, 2017 (WO) 5818201

(51) **LOC (12) Cl.** **24-02**

(52) **U.S. Cl.**
USPC **D8/72**

(58) **Field of Classification Search**
USPC D8/71-74, 394-399, 59; 248/63, 72,
248/74.1, 689, 124.2; 81/487, 385, 386,
81/388-390; 269/3, 4, 6, 143, 165, 240,
269/243, 246-249, 254 R, 147-149;
29/256, 257, 276; 408/103, 104-109
CPC B25B 1/00; B25B 5/00
See application file for complete search history.

(56) **References Cited**

U.S. PATENT DOCUMENTS

5,197,360 A * 3/1993 Wooster, Jr. B25B 5/068
269/170
D417,377 S * 12/1999 Blank D8/72

D467,152 S * 12/2002 Wolff D8/72
D482,585 S * 11/2003 Brass D8/72
D494,828 S * 8/2004 Phillips D8/72
6,848,683 B2 * 2/2005 Foshag B25B 5/163
269/147
D543,821 S * 6/2007 Ranieri D8/73
D545,161 S * 6/2007 Ranieri D8/72
D545,162 S * 6/2007 Ranieri D8/73
7,798,478 B2 * 9/2010 Janson B25B 5/006
269/166
D677,140 S * 3/2013 Krohmer D8/72
D793,835 S * 8/2017 Cerezo Lotina D8/72
D850,879 S * 6/2019 Wong D8/72

* cited by examiner

Primary Examiner — David G Muller

(74) *Attorney, Agent, or Firm* — Lipsitz & McAllister,
LLC

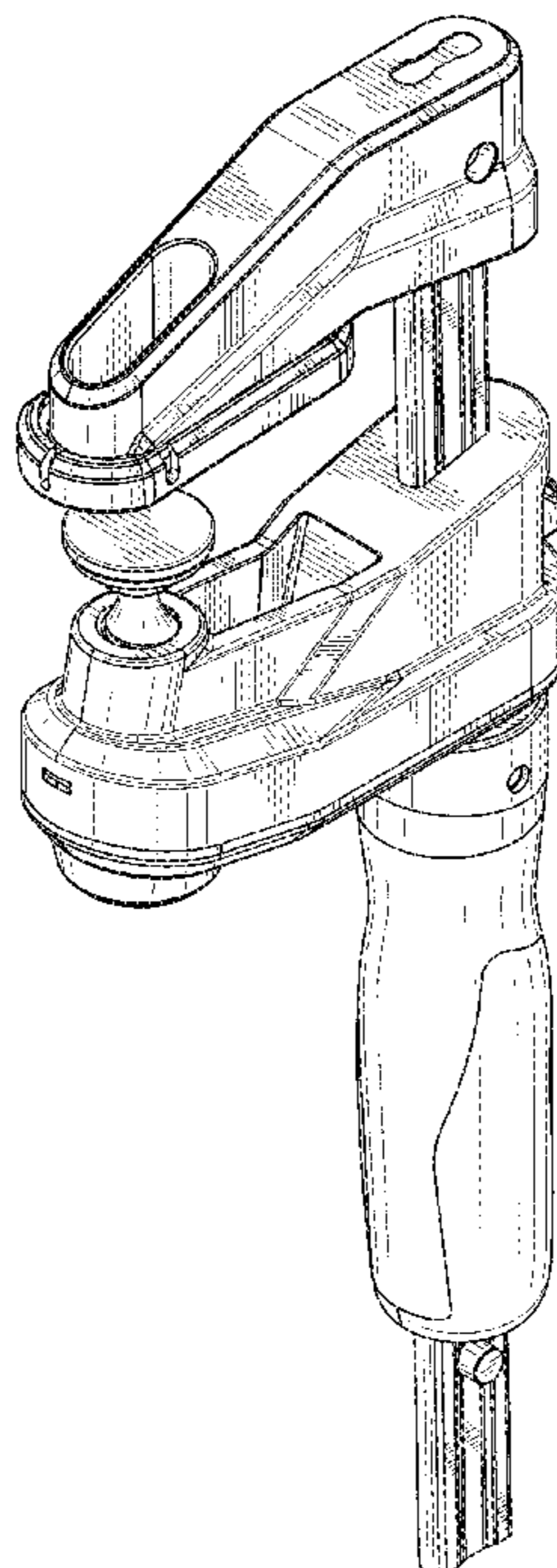
(57) **CLAIM**

The ornamental design for a clamp, as shown and described.

DESCRIPTION

FIG. 1 is a top, front and right side perspective view of a clamp showing the new design;
FIG. 2 is a front elevational view thereof;
FIG. 3 is a rear elevational view thereof;
FIG. 4 is a right side elevational view thereof;
FIG. 5 is a left side elevational thereof;
FIG. 6 is a top plan view thereof; and,
FIG. 7 is a bottom plan view thereof.

1 Claim, 6 Drawing Sheets



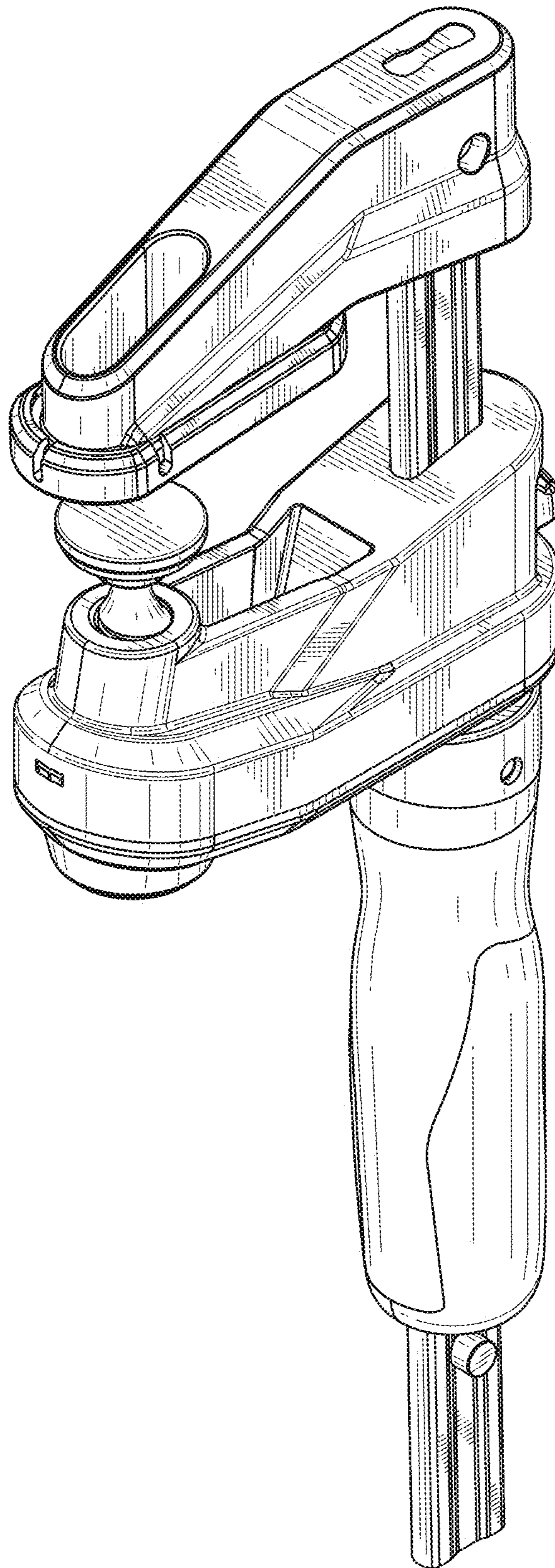


FIG. 1

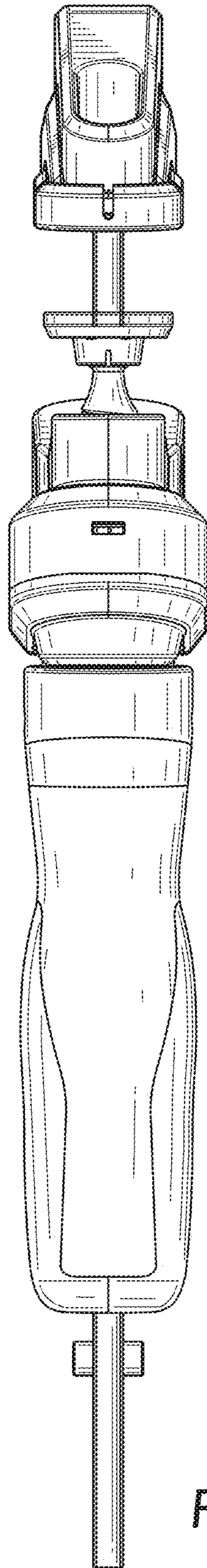


FIG. 2

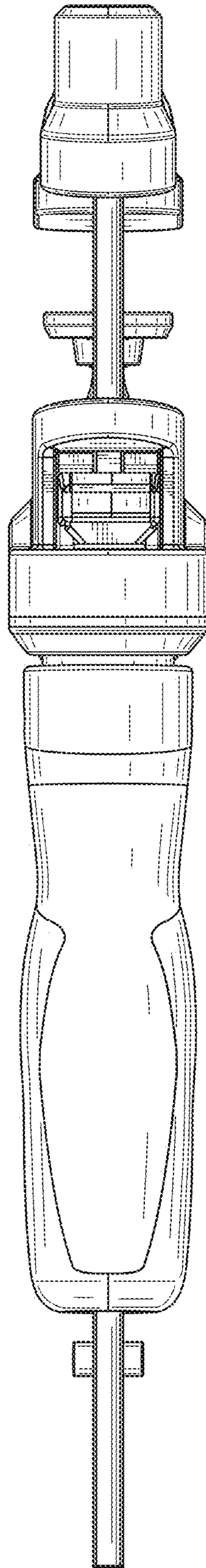


FIG. 3

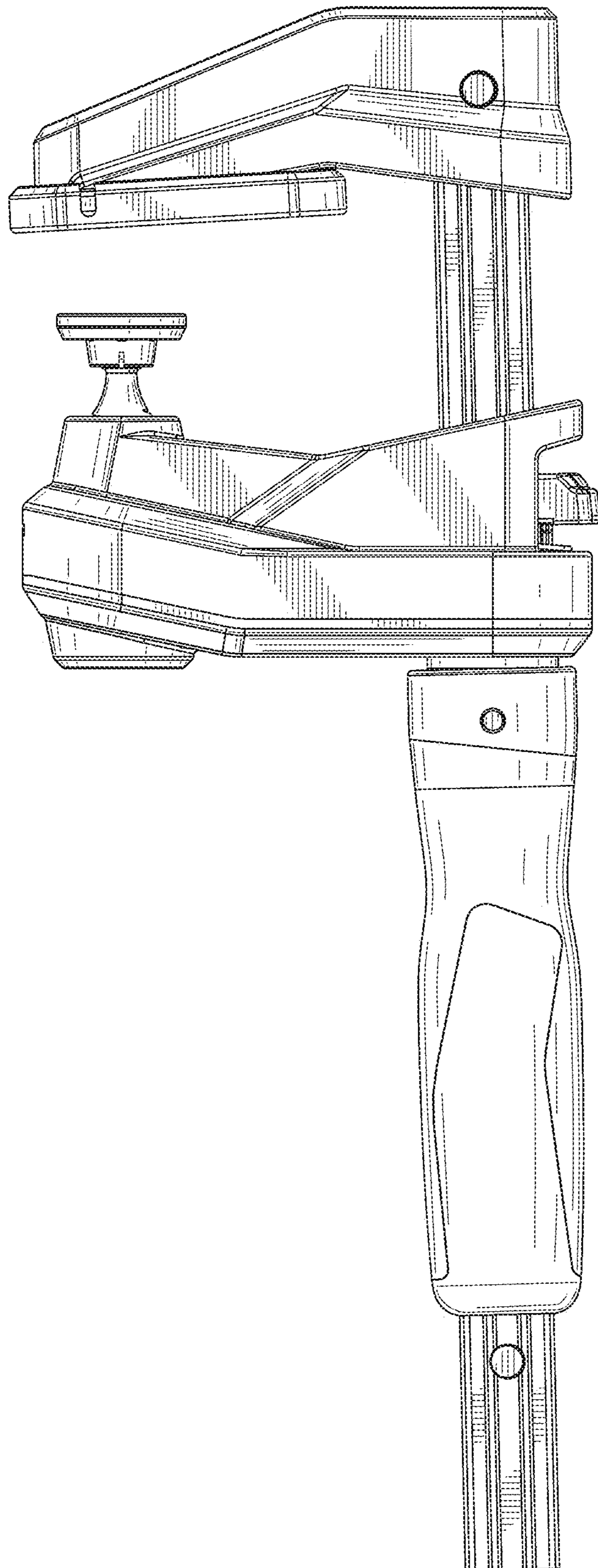


FIG. 4

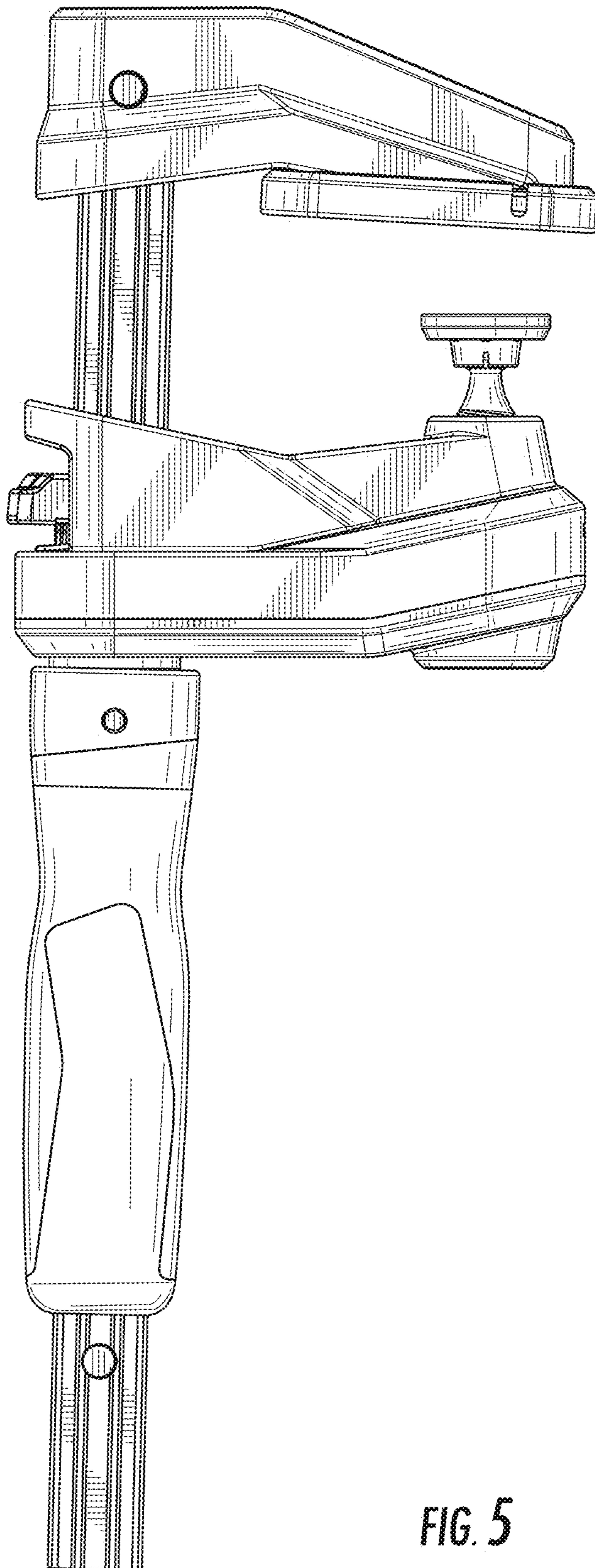


FIG. 5

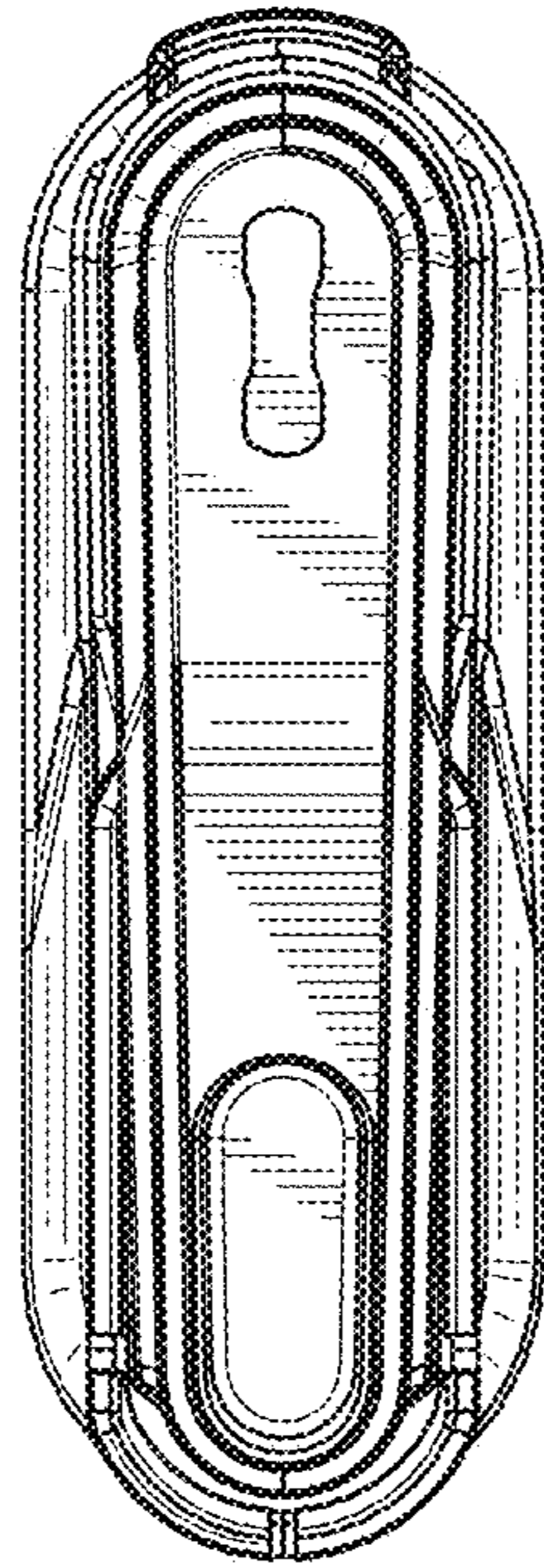


FIG. 6

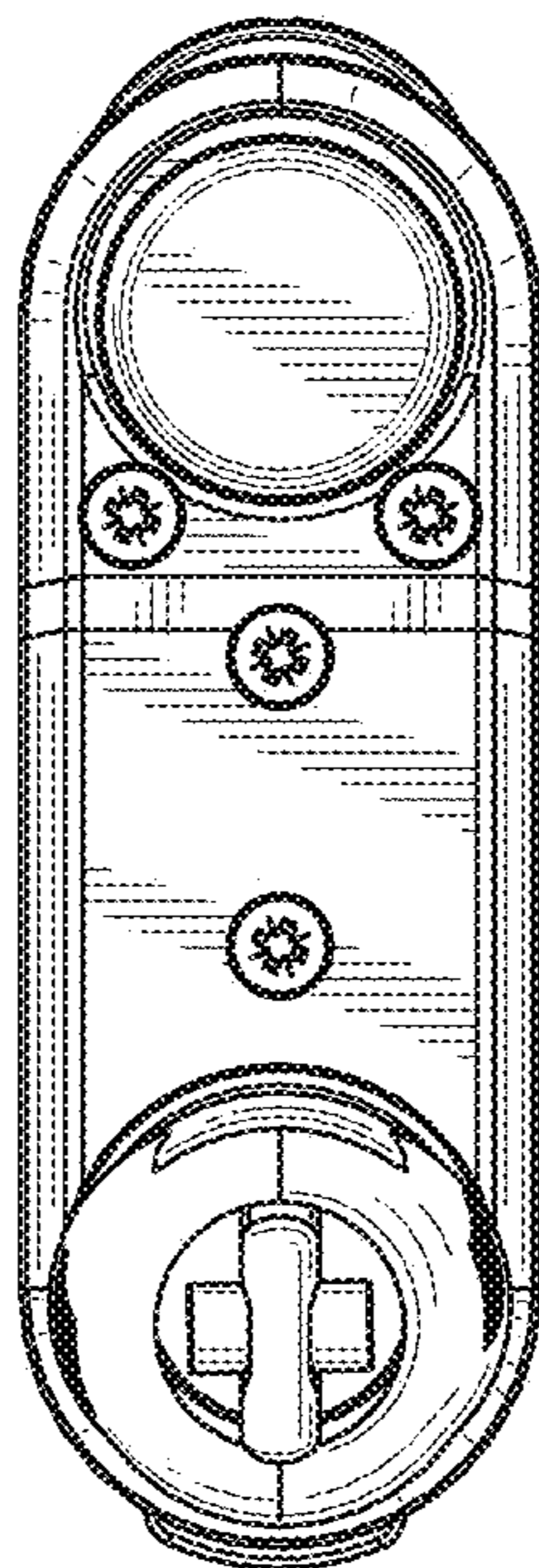


FIG. 7