



US00D884447S

(12) **United States Design Patent**  
**Hill**

(10) **Patent No.:** **US D884,447 S**

(45) **Date of Patent:** **\*\* May 19, 2020**

(54) **SANDER**

(71) Applicant: **BLACK & DECKER INC.**, New Britain, CT (US)

(72) Inventor: **Jesse P. Hill**, Baltimore, MD (US)

(73) Assignee: **Black & Decker Inc.**, New Britain, CT (US)

(\*\*) Term: **15 Years**

(21) Appl. No.: **29/644,630**

(22) Filed: **Apr. 19, 2018**

(51) **LOC (12) Cl.** ..... **08-03**

(52) **U.S. Cl.**  
USPC ..... **D8/62**

(58) **Field of Classification Search**  
USPC .... D8/69, 68, 67, 66, 64, 61, 70; 83/698.41,  
83/747, 166.3, 374, 373, 375, 376, 391,  
83/377, 390, 388, 389; 125/13.01;  
144/218; D21/532

CPC ..... B24B 23/028; B24B 47/12; B24B 7/186;  
B25F 5/001; B25F 5/02

See application file for complete search history.

(56) **References Cited**

**U.S. PATENT DOCUMENTS**

D585,258 S *	1/2009	Nojiri	.....	D8/62
D636,243 S *	4/2011	Liu	.....	D8/62
D658,023 S *	4/2012	Yamamoto	.....	D8/62
D664,411 S *	7/2012	Aglassinger	.....	D8/62
D666,071 S *	8/2012	Aglassinger	.....	D8/62
D679,159 S *	4/2013	Waldron	.....	D8/62
D718,998 S *	12/2014	Tirone	.....	D8/62

D819,418 S *	6/2018	Gooden	.....	D8/62
D831,458 S *	10/2018	Itoh	.....	D8/62
D858,238 S *	9/2019	Schirmacher	.....	D8/62
D863,911 S *	10/2019	Yang	.....	D8/62
D863,912 S *	10/2019	Yang	.....	D8/62
2018/0056473 A1	3/2018	Fisher et al.		

**OTHER PUBLICATIONS**

Pictures of prior art of Porter Cable 20v Max Cordless Random Orbital Sander PCCW20513—<https://www.portercable.com/products/power-tools/woodworking-tools/sanders/20v-max-cordless-random-orbital-sander/pccw205b>—accessed on Aug. 27, 2018.

\* cited by examiner

*Primary Examiner* — Austin Murphy

(74) *Attorney, Agent, or Firm* — Stephen R. Valancius

(57) **CLAIM**

The ornamental design for a sander, as shown and described.

**DESCRIPTION**

FIG. 1 is a perspective view of a sander showing my new design;

FIG. 2 is a front view thereof

FIG. 3 is a rear view thereof;

FIG. 4 is a right side view thereof;

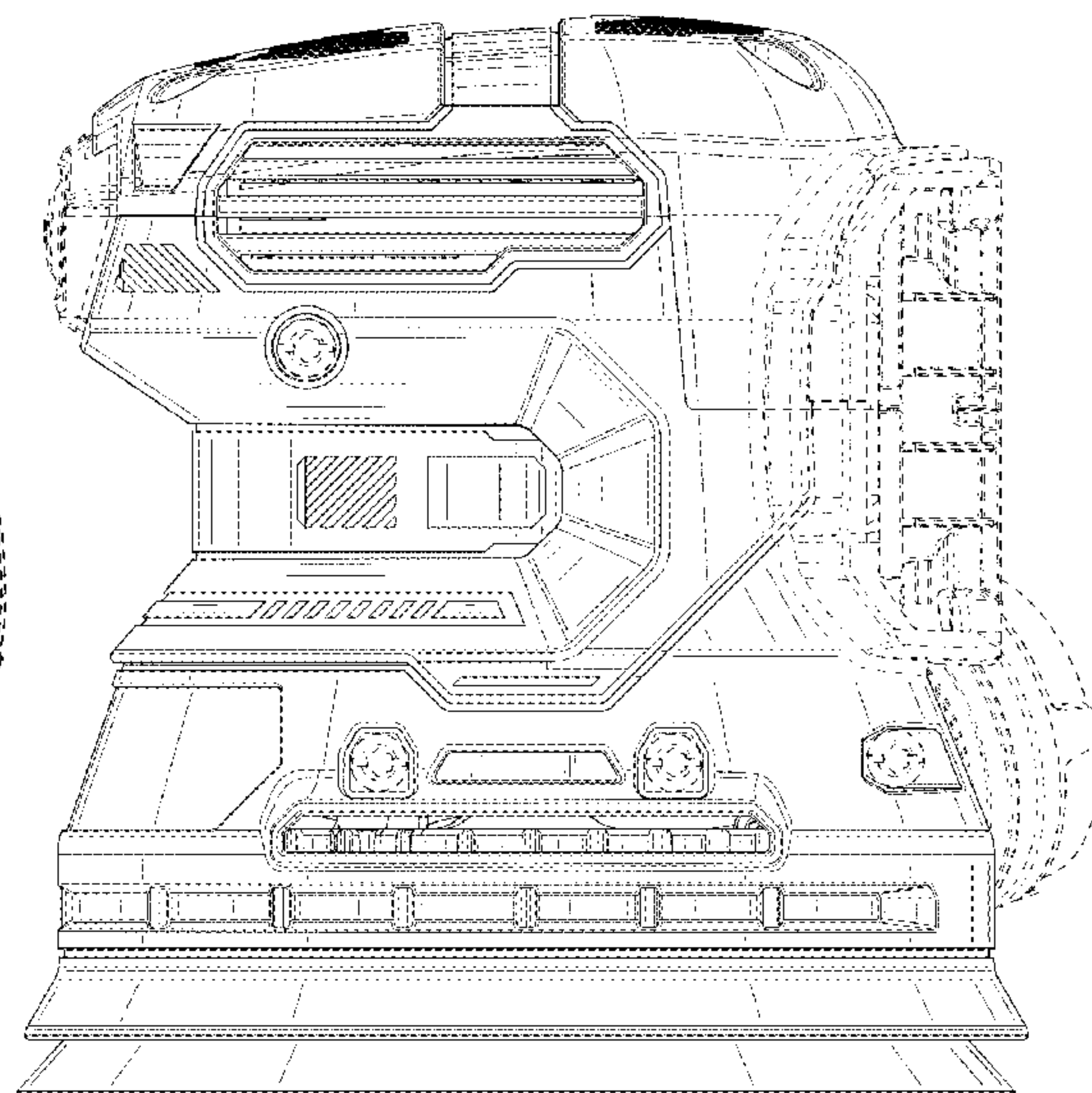
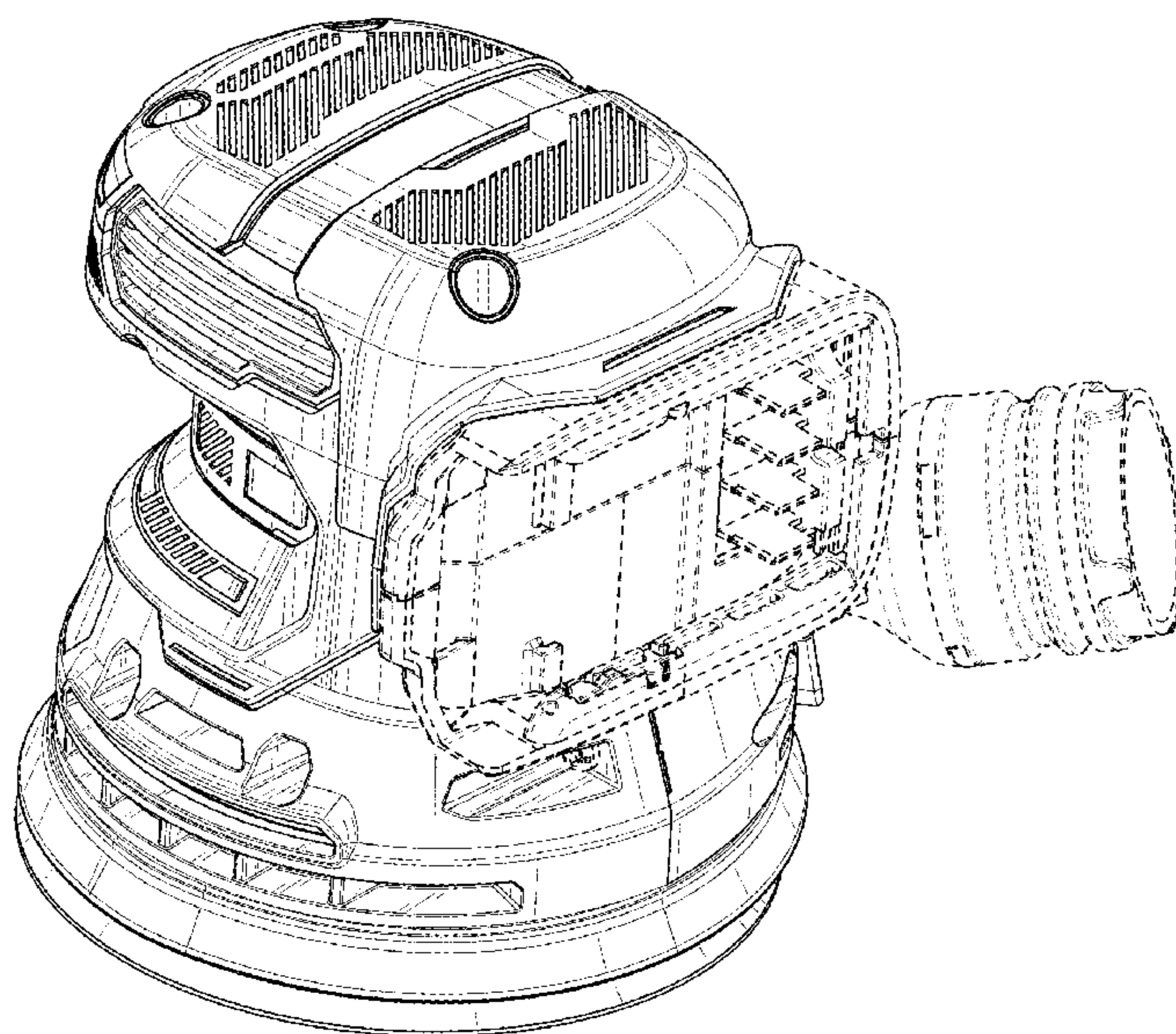
FIG. 5 is a left side view thereof;

FIG. 6 is a top plan view thereof; and,

FIG. 7 is a bottom plan view thereof.

In the above drawings, the broken lines and the areas within the broken lines form no part of the claimed design.

**1 Claim, 7 Drawing Sheets**





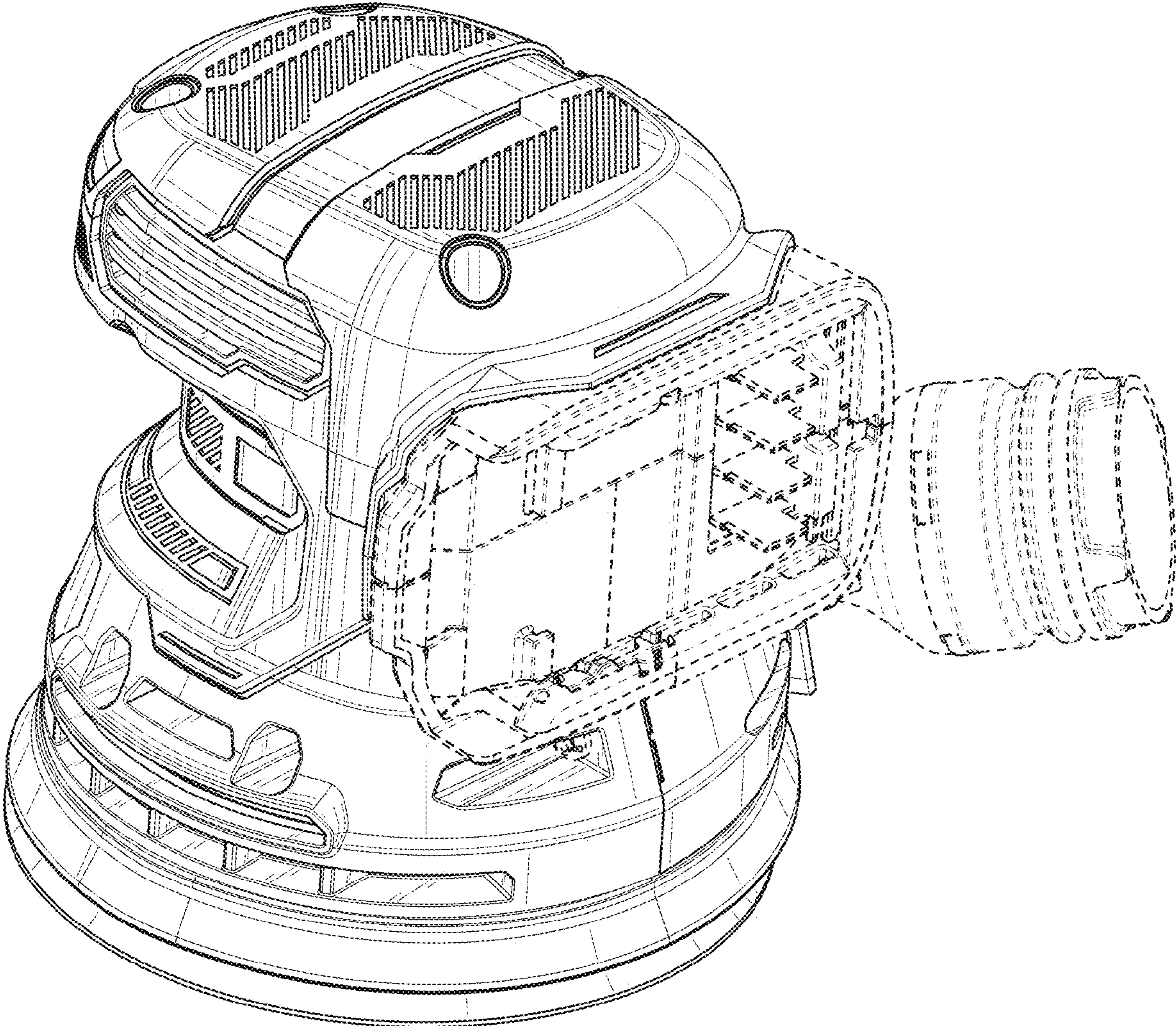


FIG. 1

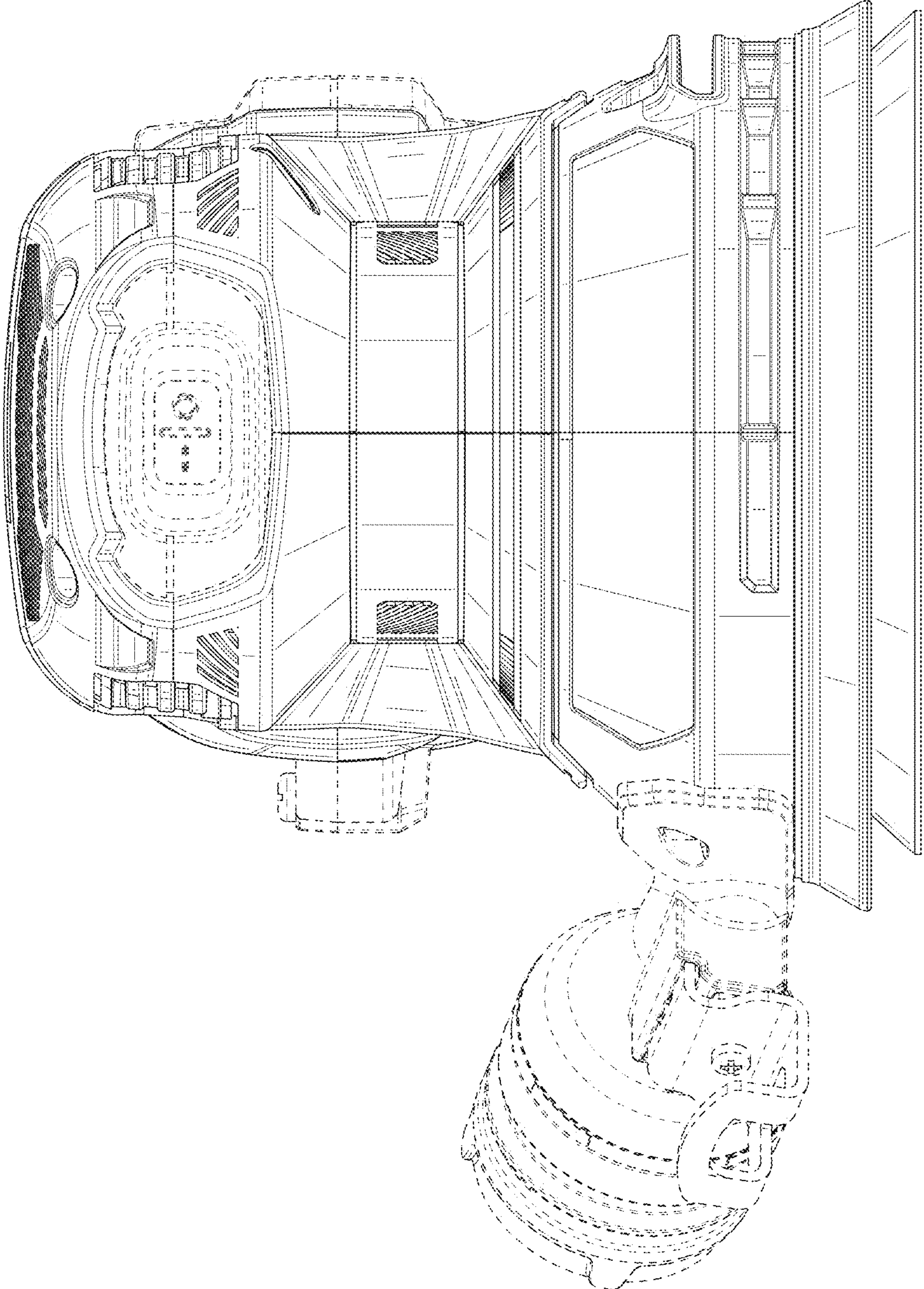


FIG. 2



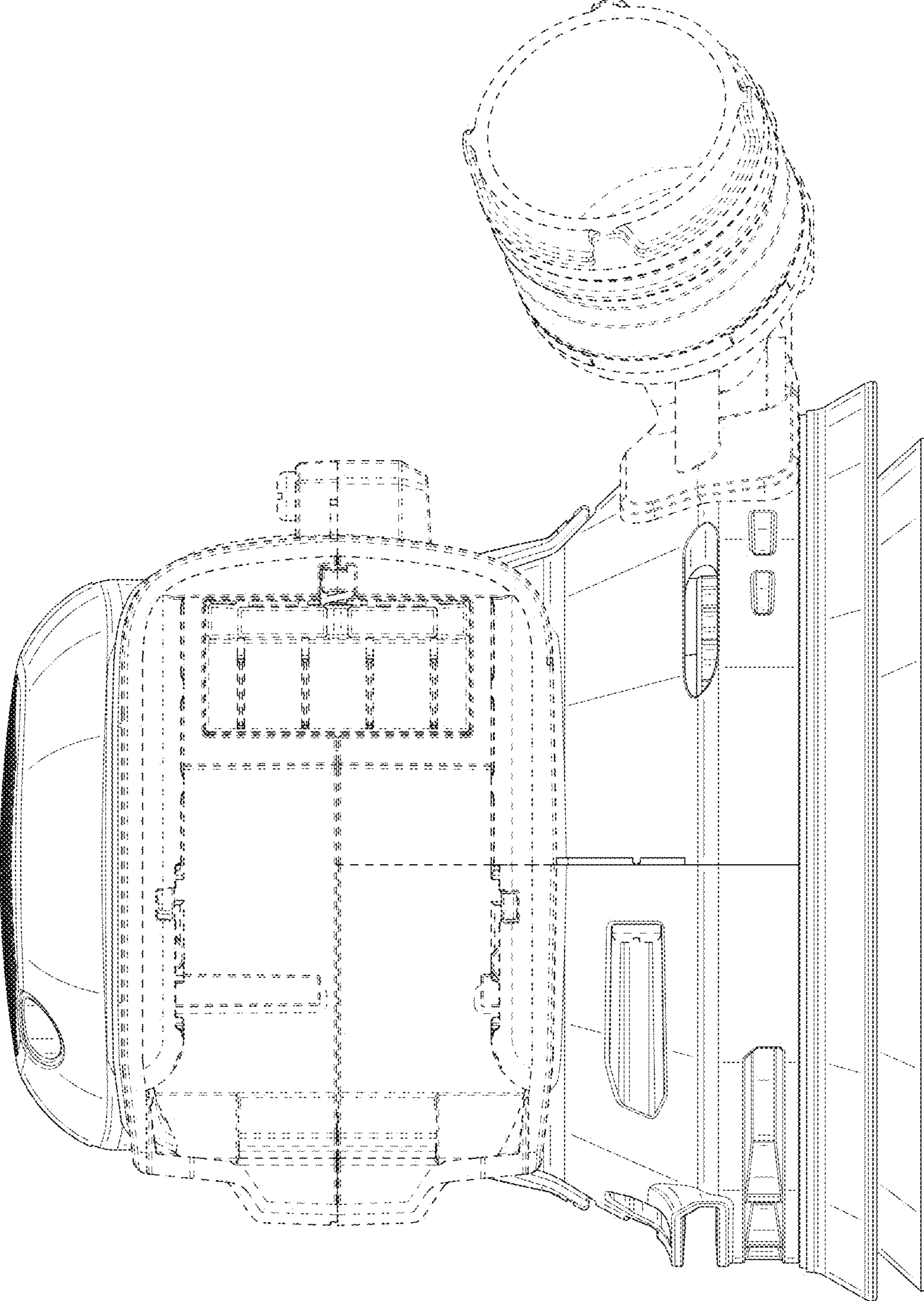


FIG. 3

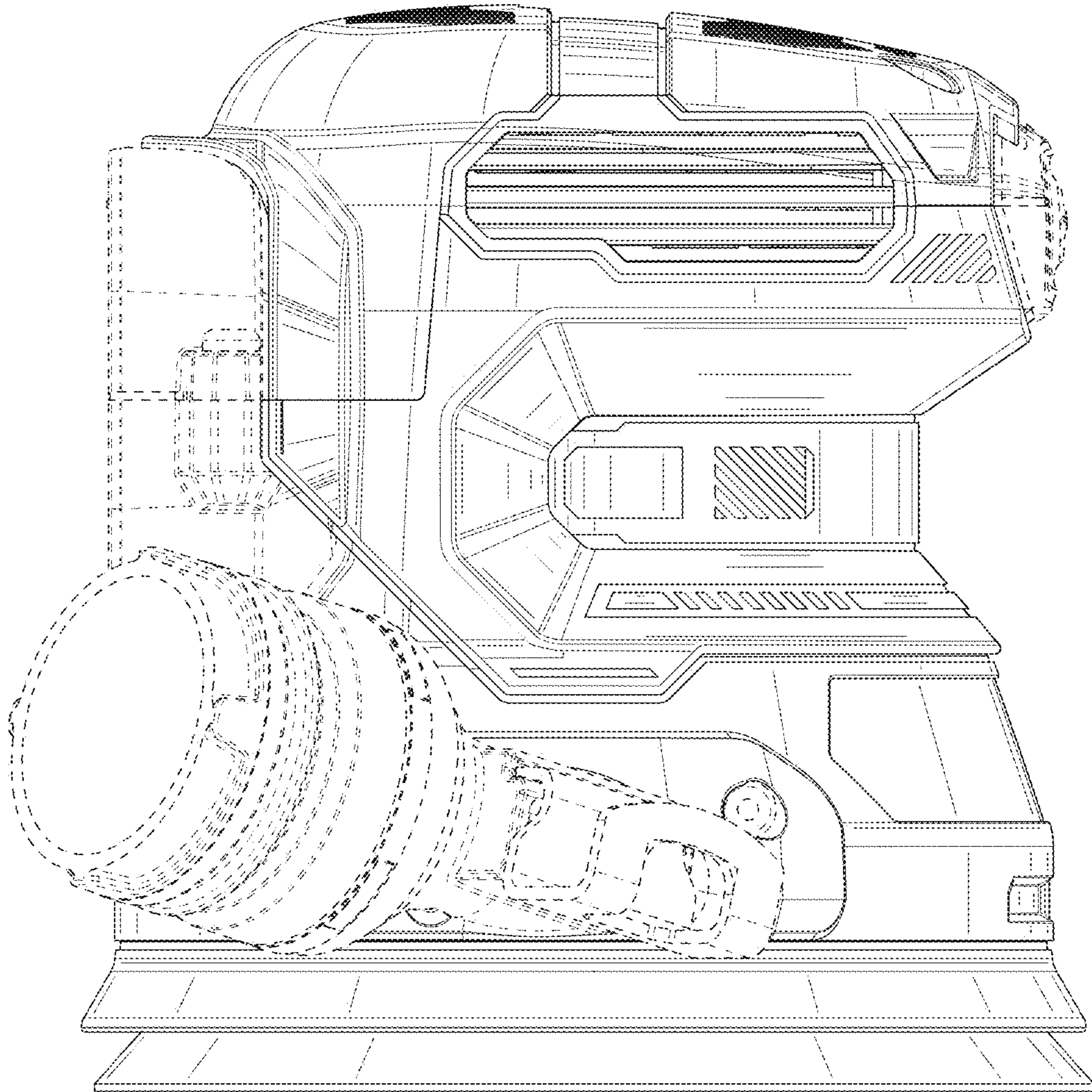


FIG. 4

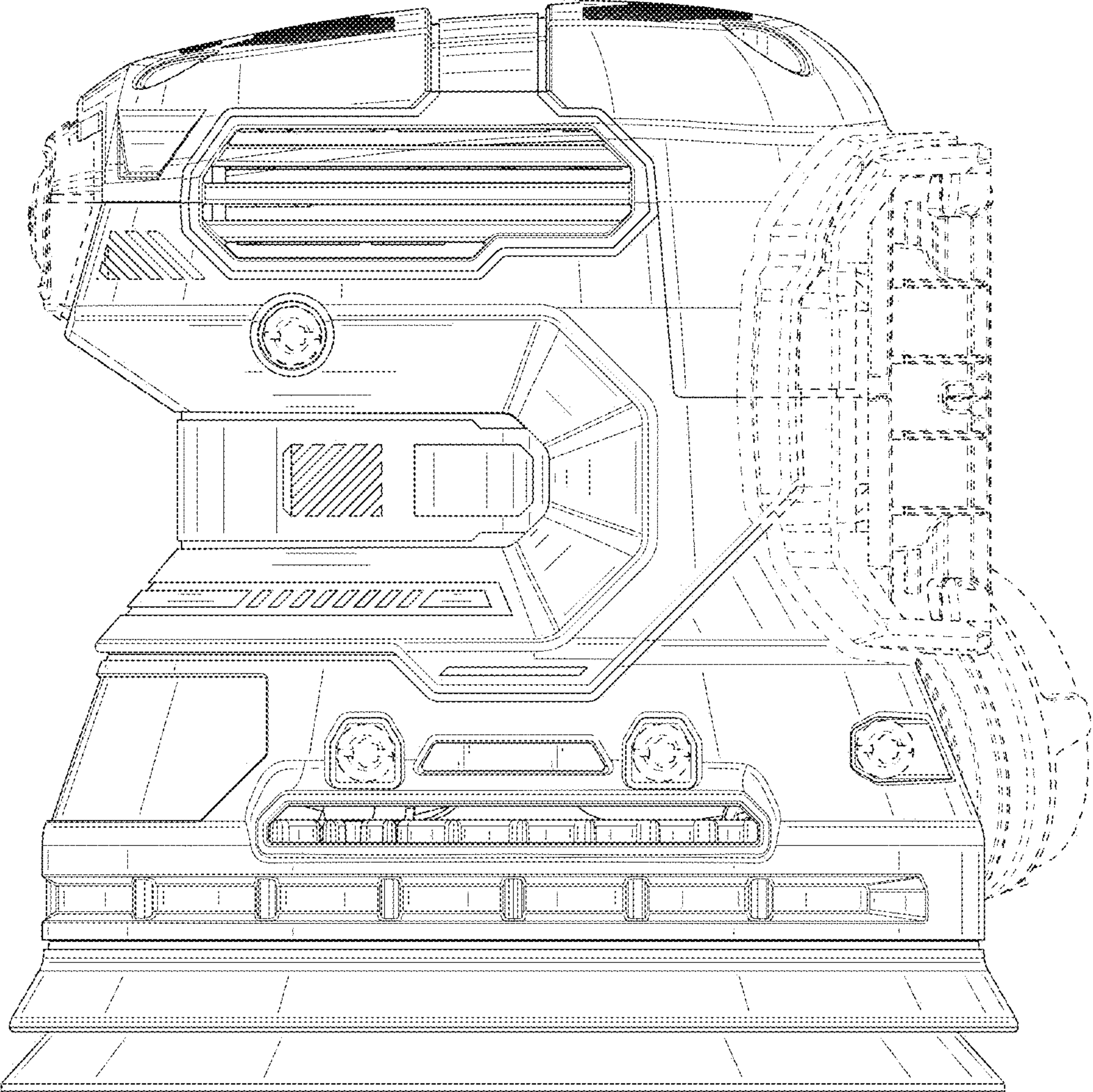


FIG. 5



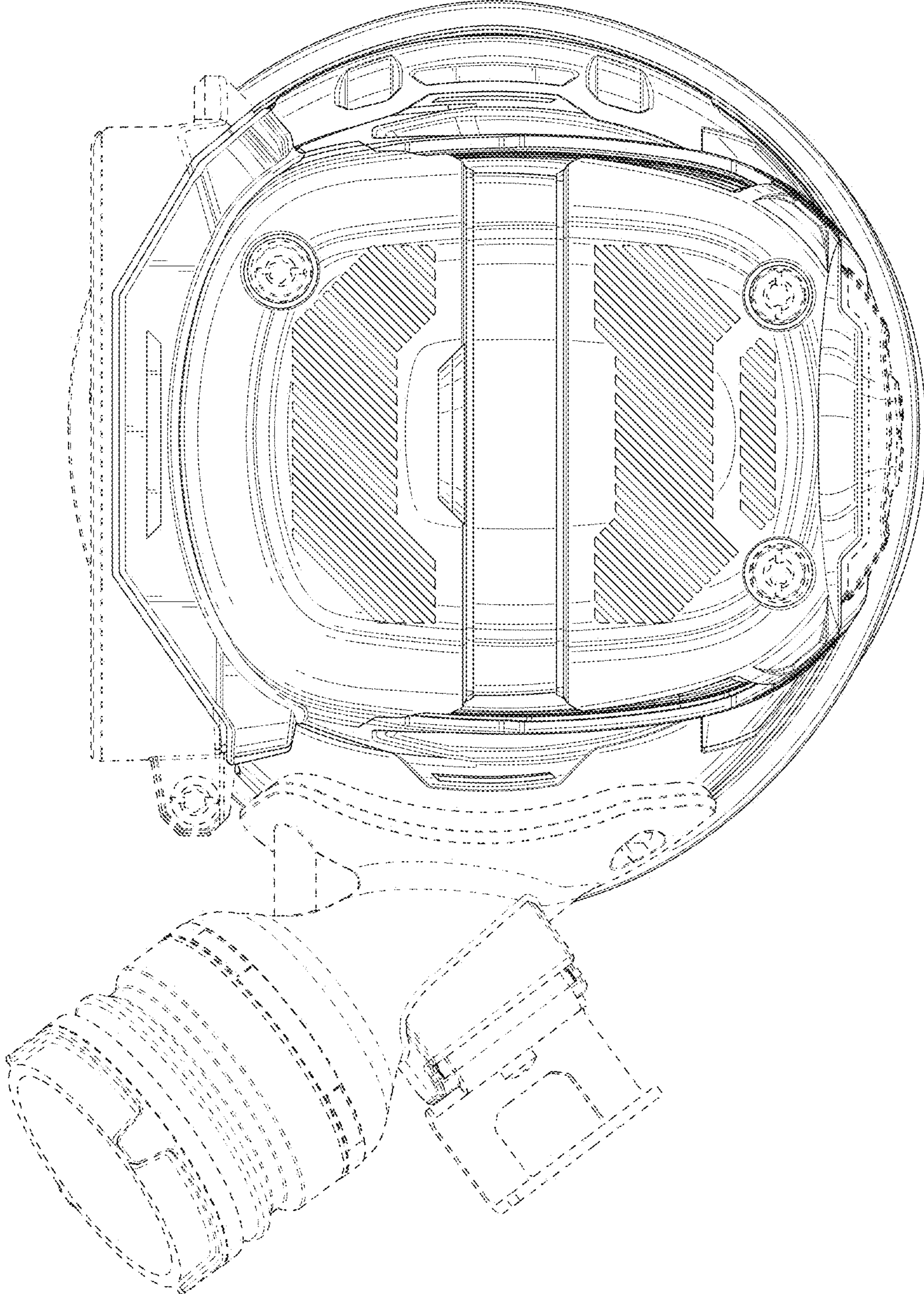


FIG. 6

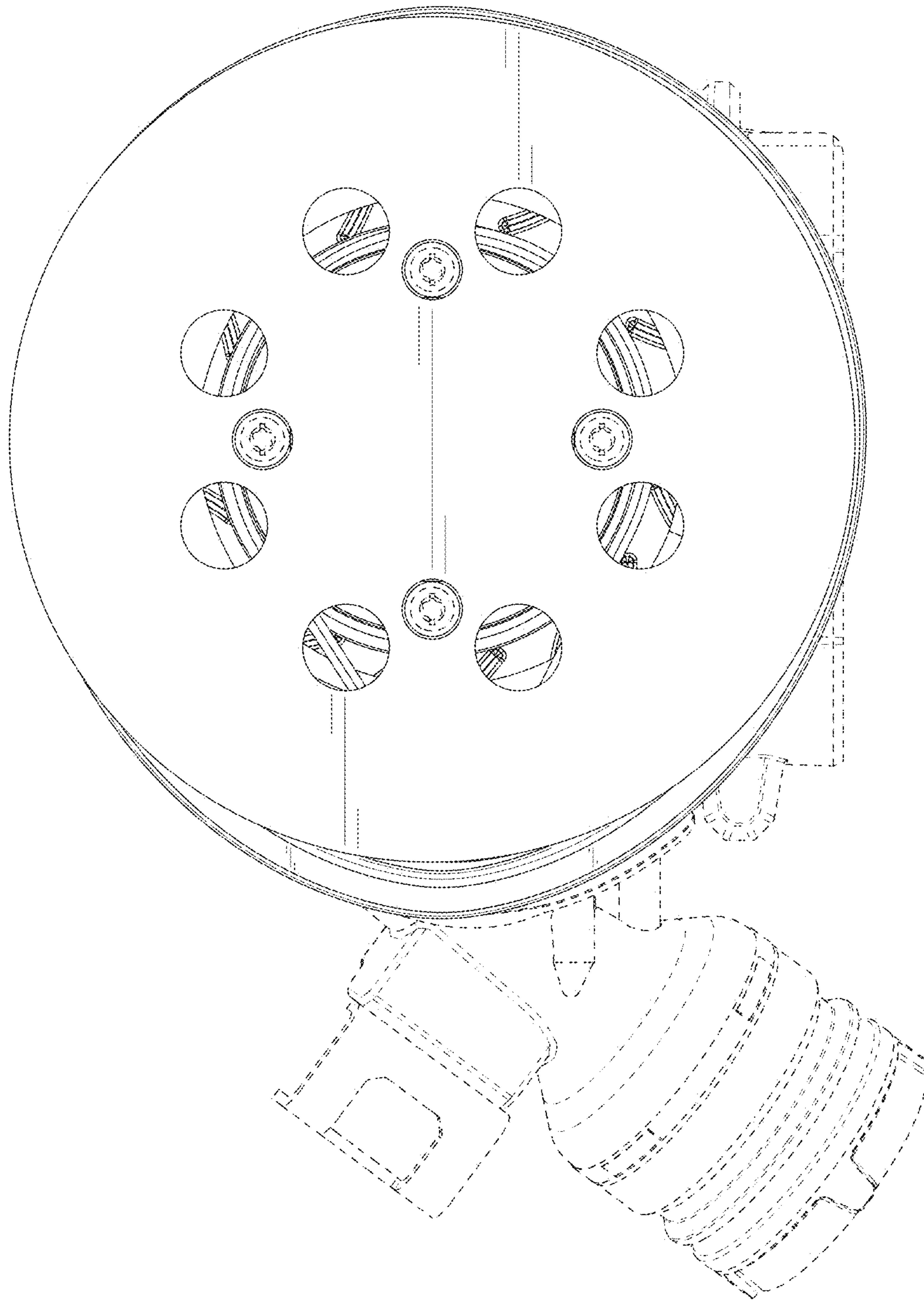


FIG. 7