



US00D884446S

(12) **United States Design Patent**  
**Hill**

(10) **Patent No.:** **US D884,446 S**

(45) **Date of Patent:** **\*\* May 19, 2020**

(54) **SANDER**

(71) Applicant: **BLACK & DECKER INC.**, New Britain, CT (US)

(72) Inventor: **Jesse P. Hill**, Baltimore, MD (US)

(73) Assignee: **Black & Decker Inc.**, New Britain, CT (US)

(\*\*) Term: **15 Years**

(21) Appl. No.: **29/644,373**

(22) Filed: **Apr. 17, 2018**

(51) **LOC (12) Cl.** ..... **08-03**

(52) **U.S. Cl.**  
USPC ..... **D8/62**

(58) **Field of Classification Search**  
USPC .... D8/69, 68, 67, 66, 64, 61, 70; 83/698.41,  
83/747, 166.3, 374, 373, 375, 376, 391,  
83/377, 390, 388, 389; 125/13.01;  
144/218; D21/532

CPC ..... B24B 23/028; B24B 47/12; B24B 7/186;  
B25F 5/001; B25F 5/02

See application file for complete search history.

(56) **References Cited**

**U.S. PATENT DOCUMENTS**

D664,411 S \* 7/2012 Aglassinger ..... D8/62  
D666,071 S \* 8/2012 Aglassinger ..... D8/62

D679,159 S \* 4/2013 Waldron ..... D8/62  
D718,998 S \* 12/2014 Tirone ..... D8/62  
D819,418 S \* 6/2018 Gooden ..... D8/62  
D831,458 S \* 10/2018 Itoh ..... D8/62  
D858,238 S \* 9/2019 Schirmacher ..... D8/62  
D863,911 S \* 10/2019 Yang ..... D8/62  
D863,912 S \* 10/2019 Yang ..... D8/62

**OTHER PUBLICATIONS**

Pictures of prior art of DeWalt 5" Single Speed Random Orbit Sander—<https://www.dewalt.com/en-us/products/power-tools/sanders/5-single-speed-random-orbit-sander-hl-pad/dwe6421>—accessed on Aug. 28, 2018.

\* cited by examiner

*Primary Examiner* — Austin Murphy

(74) *Attorney, Agent, or Firm* — Stephen R. Valancius

(57) **CLAIM**

The ornamental design for a sander, as shown and described.

**DESCRIPTION**

FIG. 1 is a perspective view of a sander showing my new design;

FIG. 2 is a front view thereof;

FIG. 3 is a rear view thereof;

FIG. 4 is a right side view thereof;

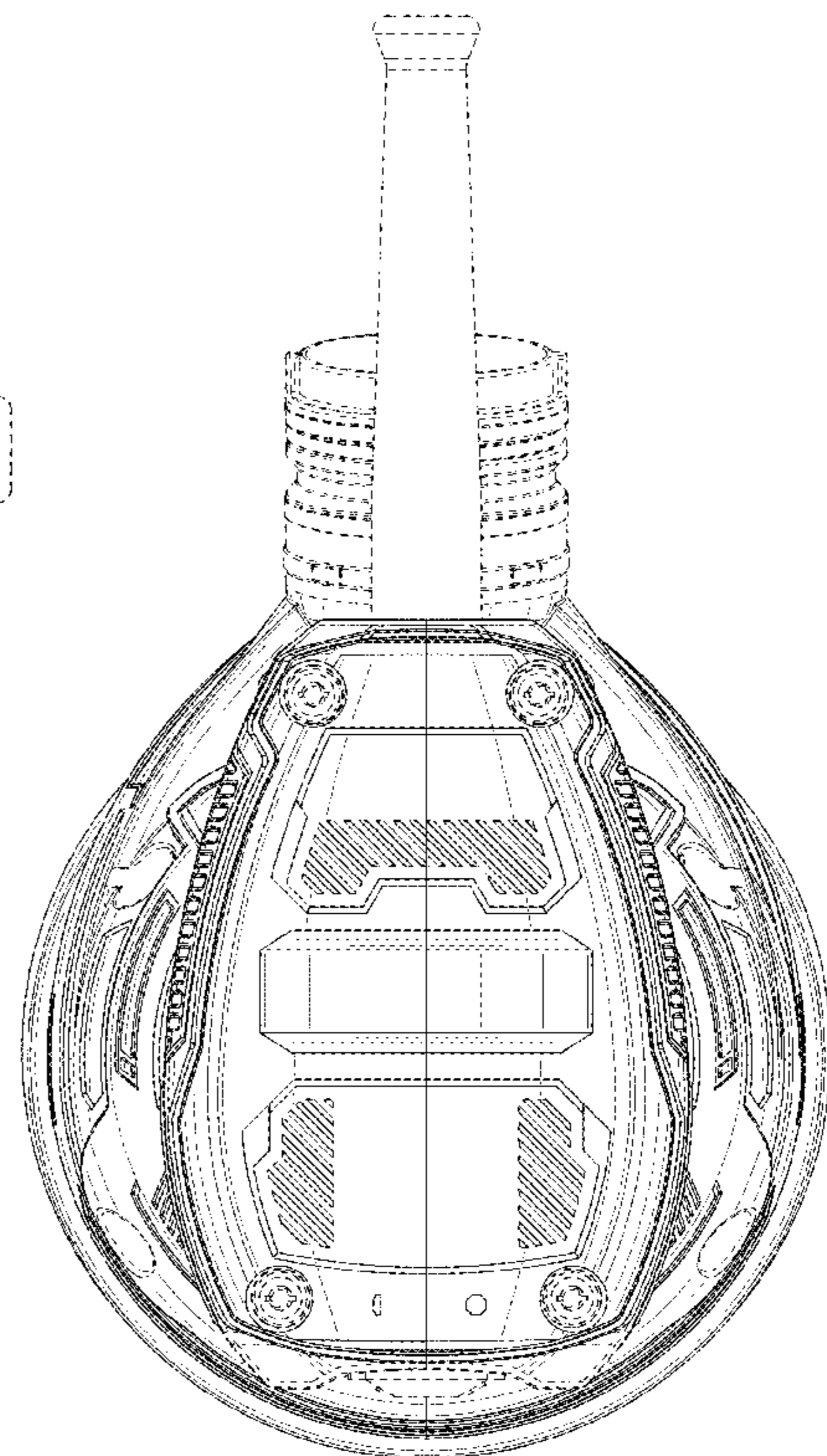
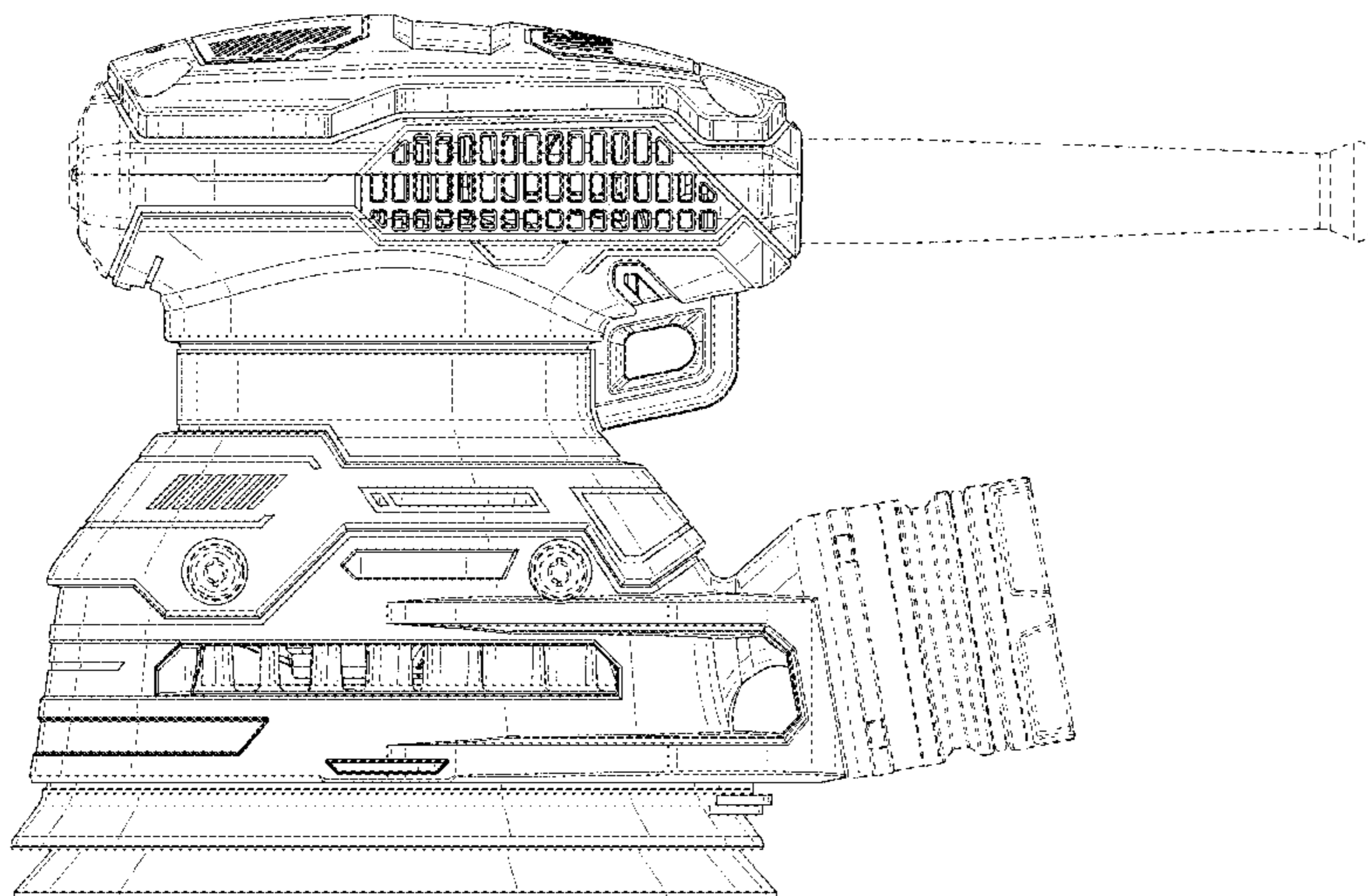
FIG. 5 is a left side view thereof;

FIG. 6 is a top plan view thereof; and,

FIG. 7 is a bottom plan view thereof.

In the above drawings, the broken lines and the areas within the broken lines form no part of the claimed design.

**1 Claim, 7 Drawing Sheets**



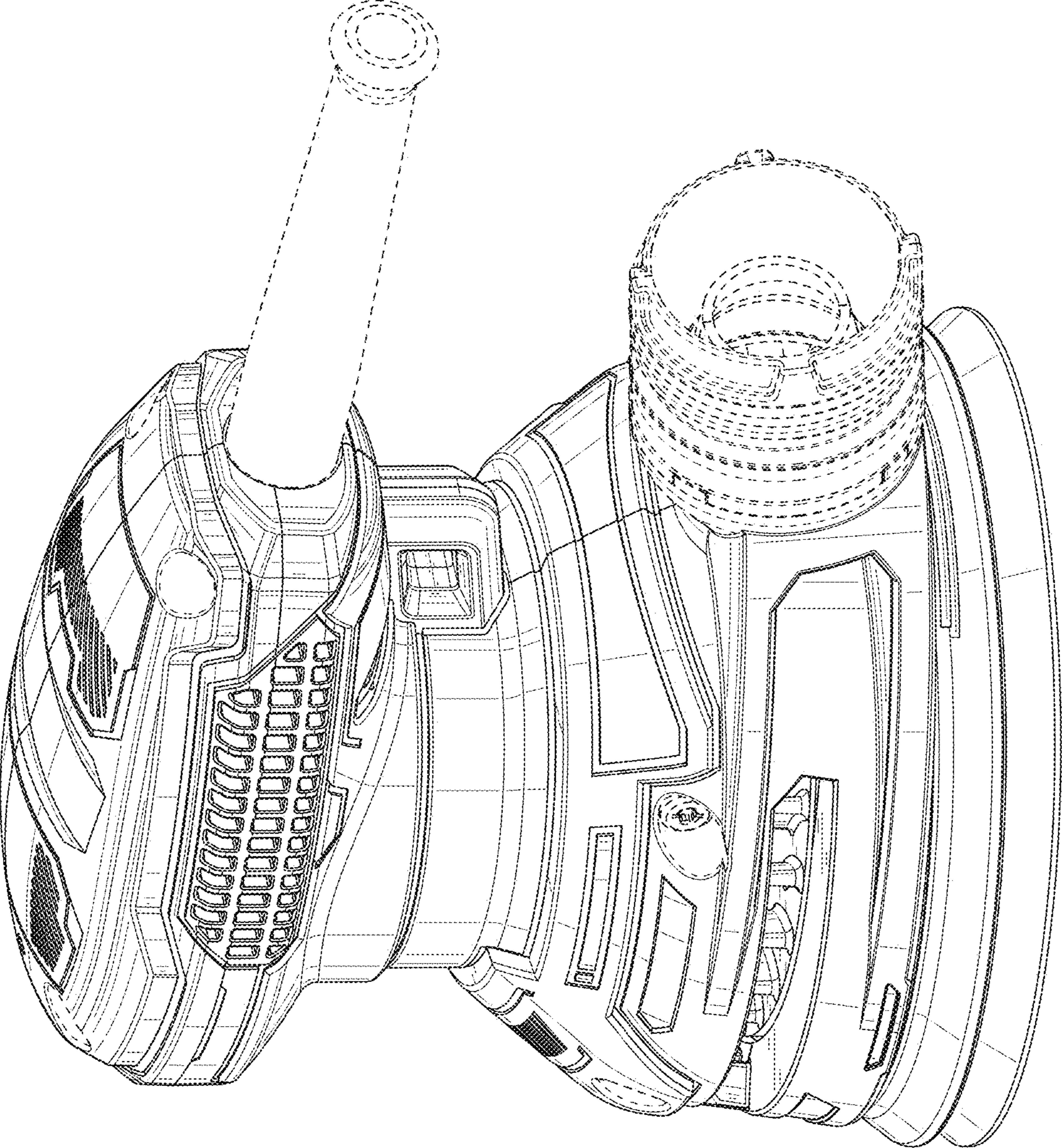


FIG. 1

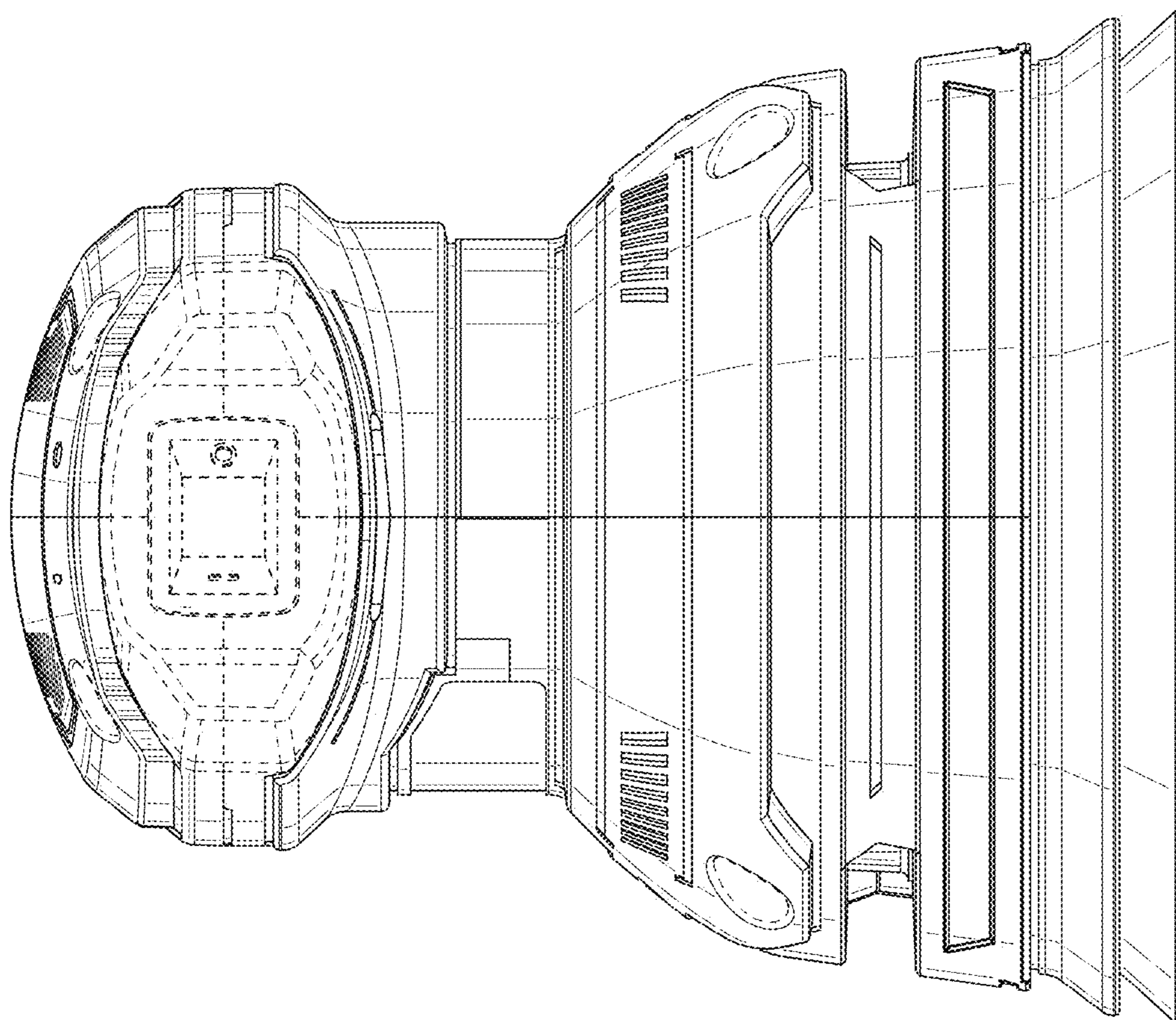


FIG. 2

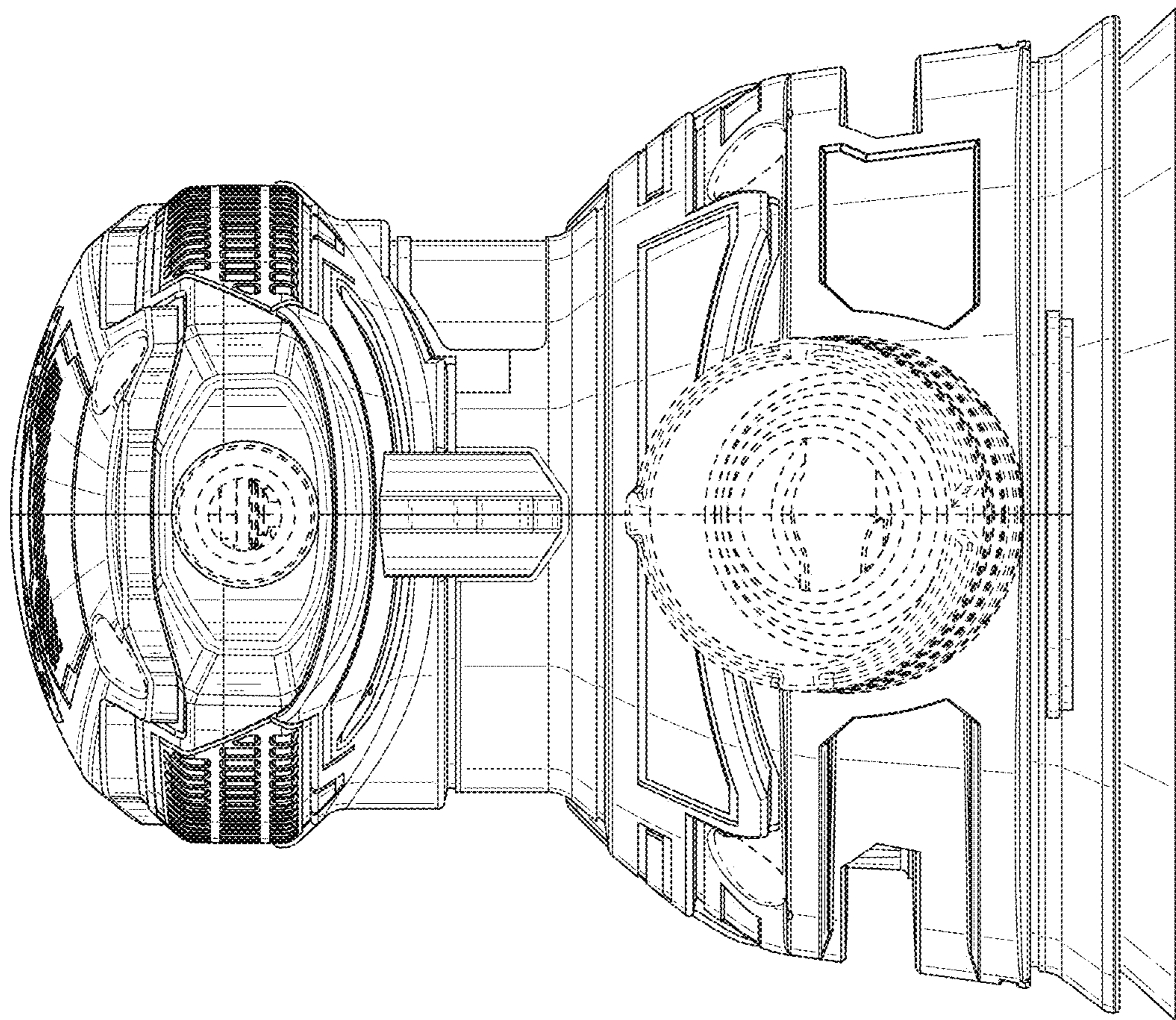


FIG. 3

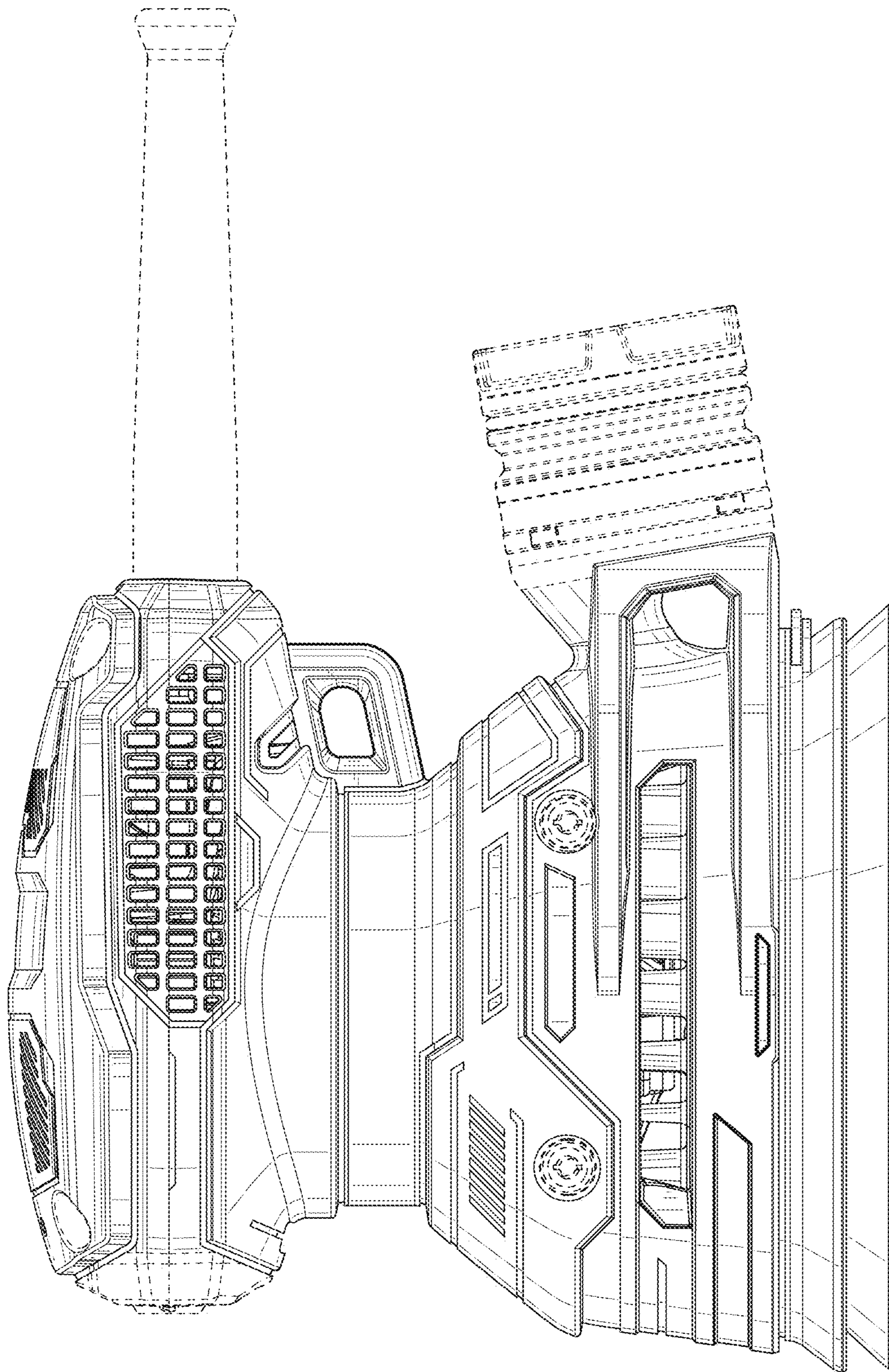


FIG. 4

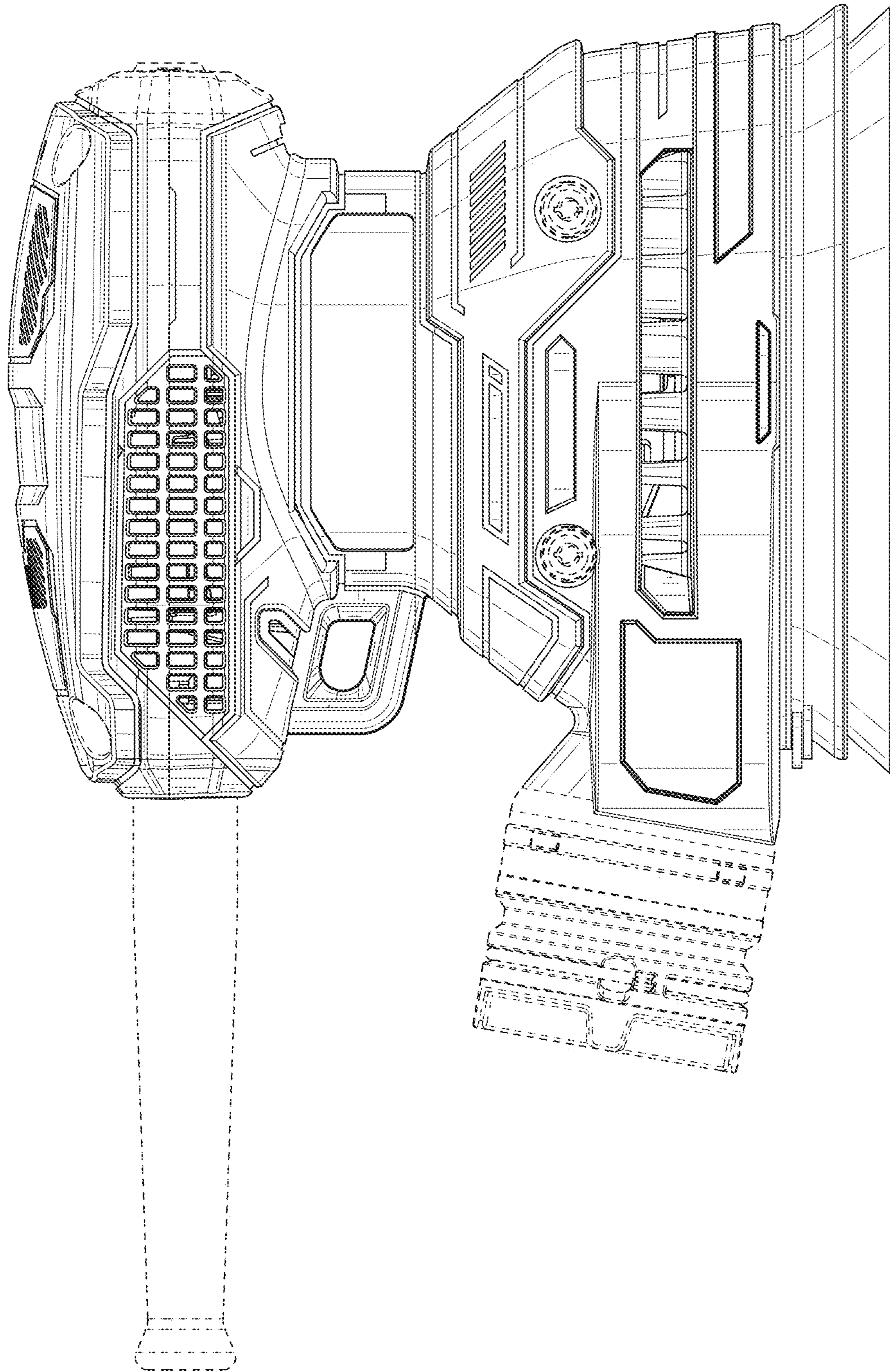


FIG. 5

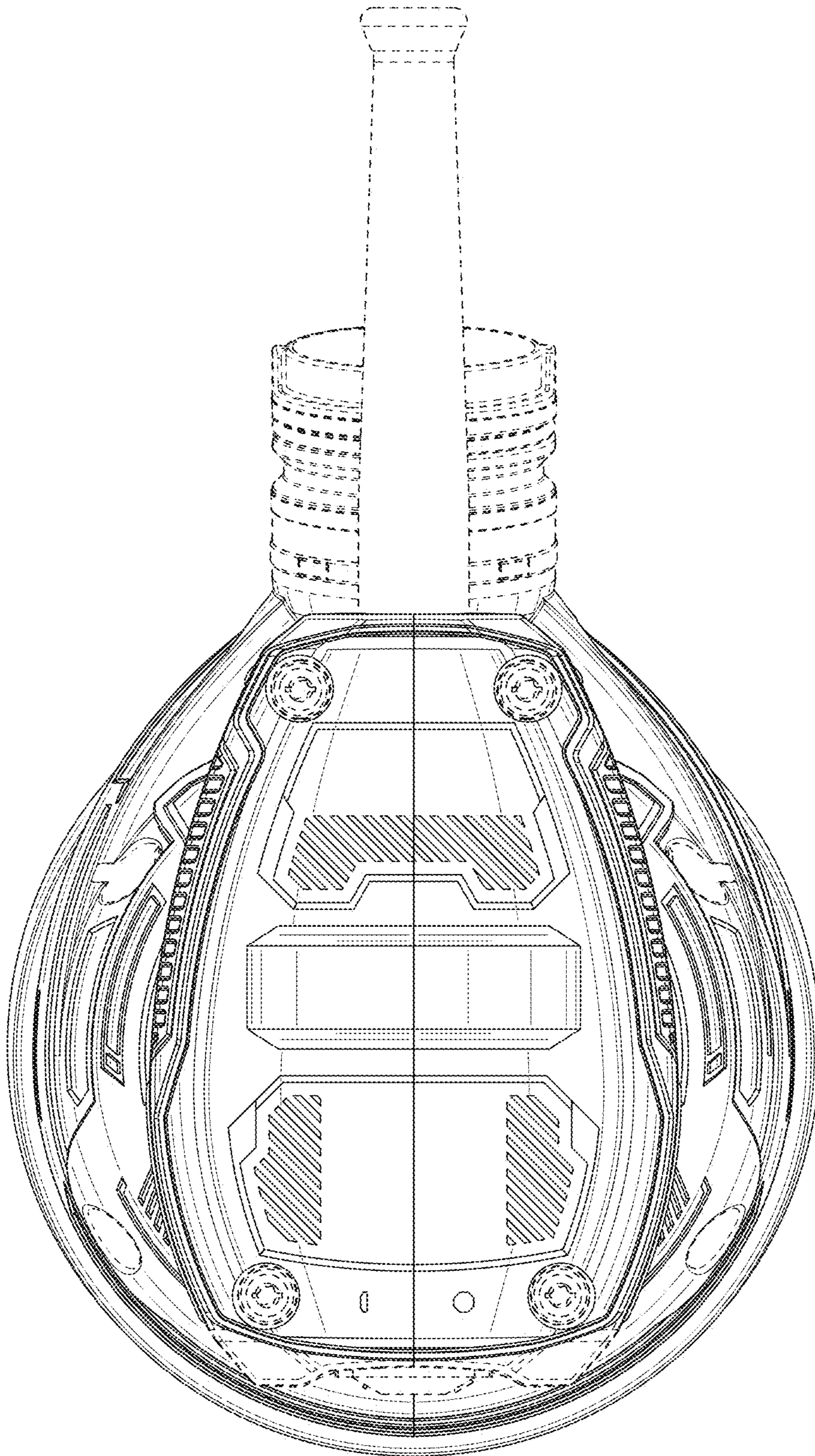


FIG. 6

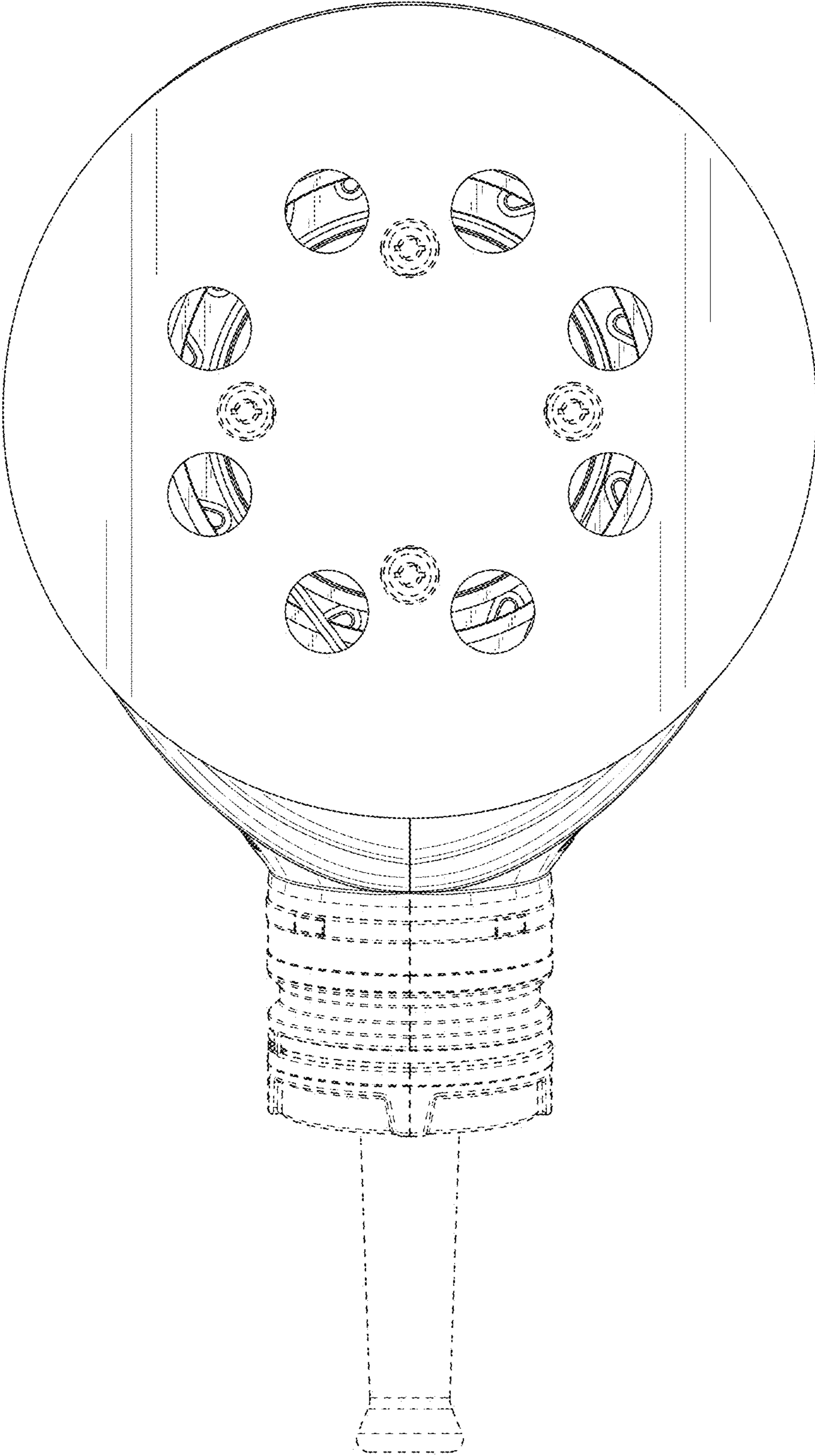


FIG. 7