



US00D884439S

(12) **United States Design Patent**
Klipshtein

(10) **Patent No.:** **US D884,439 S**

(45) **Date of Patent:** **** May 19, 2020**

(54) **FOLDING DUAL BLADE SPREADER**

(71) Applicant: **Hutzler Manufacturing Co., Inc.**,
Canaan, CT (US)

(72) Inventor: **Guy Klipshtein**, Givatayim (IL)

(73) Assignee: **Hutzler Manufacturing Co., Inc.**,
Canaan, CT (US)

(**) Term: **15 Years**

(21) Appl. No.: **29/639,428**

(22) Filed: **Mar. 6, 2018**

(51) **LOC (12) Cl.** **07-03**

(52) **U.S. Cl.**
USPC **D7/649**

(58) **Field of Classification Search**

USPC D7/393-395, 401.2, 642-652, 693,
D7/695-696; D8/93, 97-100, 107, 300,
D8/321; D22/117-118

CPC A01B 1/20; A01B 1/22; A22C 25/006;
A47G 21/06; A47G 21/065; A61B
17/3211; A61B 17/3213; B21D 53/64;
B25G 3/36; B26B 1/00; B26B 1/044;
B26B 1/048; B26B 1/006; B26B 1/06;
B26B 1/08; B26B 1/10; B26B 3/00;
B26B 3/02; B26B 3/03; B26B 3/04;
B26B 3/06; B26B 5/00; B26B 5/001;
B26B 5/007; B26B 7/00; B26B 7/005;
B26B 9/00; B26B 9/02; B26B 11/00;

(Continued)

(56) **References Cited**

U.S. PATENT DOCUMENTS

1,358,097 A * 11/1920 Neft B26B 1/048
30/153
1,647,405 A * 11/1927 Giesen B26B 1/048
30/160

(Continued)

Primary Examiner — Ricky Pham

(74) *Attorney, Agent, or Firm* — Patent Technologies,
LLC; Robert Dale Gunderman

(57) **CLAIM**

The ornamental design for a folding dual blade spreader, as shown and described.

DESCRIPTION

FIG. 1 is a top perspective view of a folding dual blade spreader showing my new design;

FIG. 2 is a bottom perspective view of the folding dual blade spreader of FIG. 1;

FIG. 3 is a top plan view of the folding dual blade spreader of FIG. 1;

FIG. 4 is a bottom plan view of the folding dual blade spreader of FIG. 1;

FIG. 5 is a side plan view of the folding dual blade spreader of FIG. 1;

FIG. 6 is an alternate side plan view of the folding dual blade spreader of FIG. 1;

FIG. 7 is an end plan view of the folding dual blade spreader of FIG. 1;

FIG. 8 is an alternate end plan view of the folding dual blade spreader of FIG. 1;

FIG. 9 is a top perspective view of the folding dual blade spreader of FIG. 1 in a separated position;

FIG. 10 is a bottom perspective view of the folding dual blade spreader of FIG. 1 in a separated position;

FIG. 11 is a top plan view of the folding dual blade spreader of FIG. 1 in a separated position;

FIG. 12 is a bottom plan view of the folding dual blade spreader of FIG. 1 in a separated position;

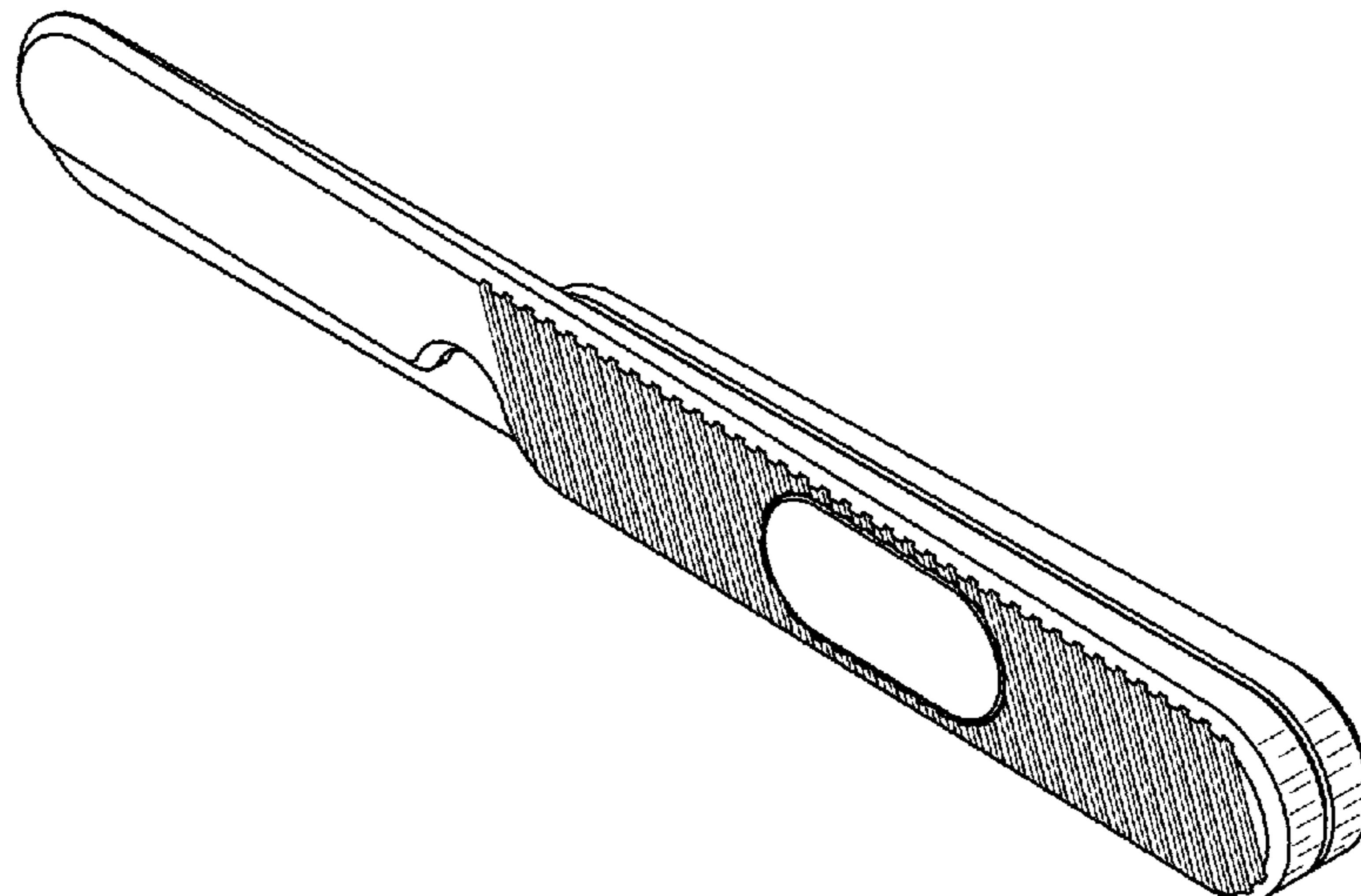
FIG. 13 is a side plan view of the folding dual blade spreader of FIG. 1 in a separated position;

FIG. 14 is an alternate side plan view of the folding dual blade spreader of FIG. 1 in a separated position;

FIG. 15 is an end plan view of the folding dual blade spreader of FIG. 1 in a separated position; and,

FIG. 16 is an alternate end plan view of the folding dual blade spreader of FIG. 1 in a separated position.

1 Claim, 10 Drawing Sheets



(58) **Field of Classification Search**

CPC B26B 11/006; B26B 17/00; B26B 17/006;
B26B 29/02

See application file for complete search history.

(56) **References Cited**

U.S. PATENT DOCUMENTS

1,888,887 A * 11/1932 Readman B26B 1/08
30/162
1,996,501 A * 4/1935 Baer B26B 11/006
132/75.4
2,728,139 A * 12/1955 Erickson B26B 1/06
30/155
2,774,139 A * 12/1956 Polk B26B 1/048
30/161
2,826,813 A * 3/1958 Flocke B26B 1/06
30/159
4,858,320 A * 8/1989 Lemaire B26B 1/044
30/162
5,131,149 A * 7/1992 Thompson B26B 1/048
30/161
D336,602 S * 6/1993 Thompson D8/99
D350,260 S * 9/1994 Weaver D7/649
D377,744 S * 2/1997 Hasegawa D8/99
D783,382 S * 4/2017 Lebeau D8/99

* cited by examiner

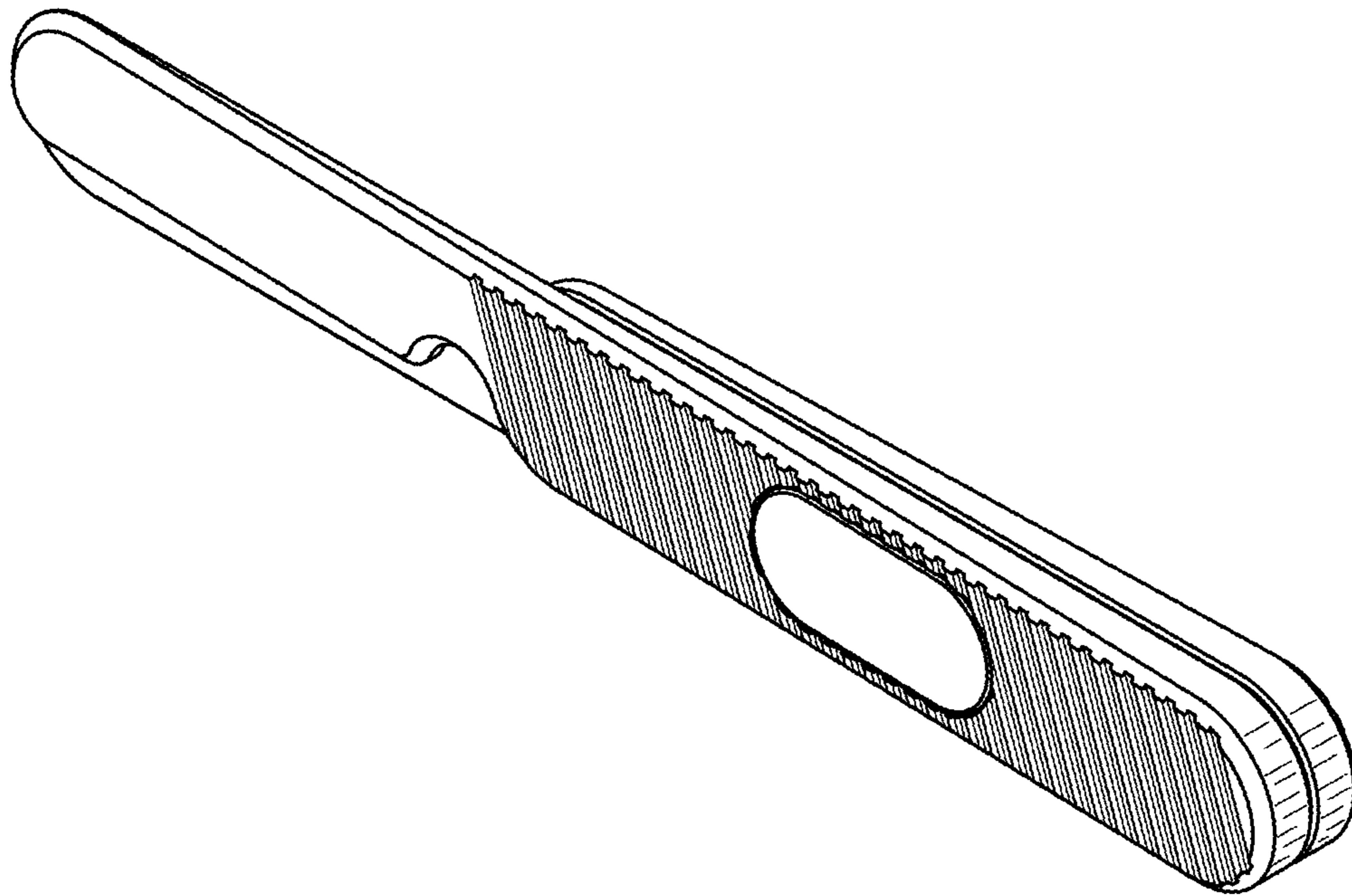


Fig. 1

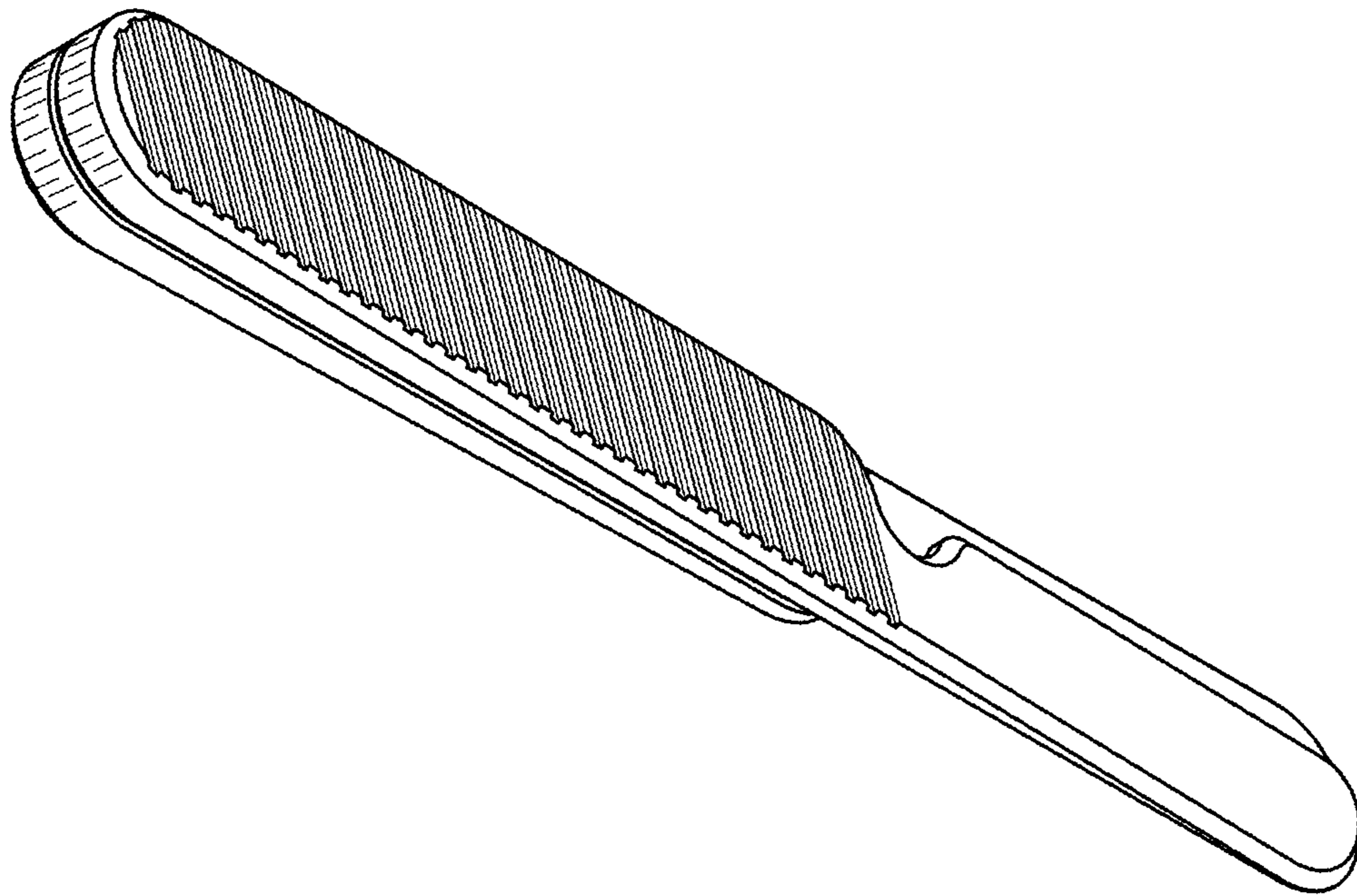


Fig. 2

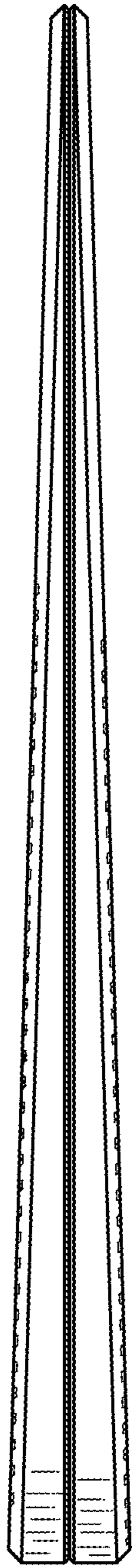


Fig. 3

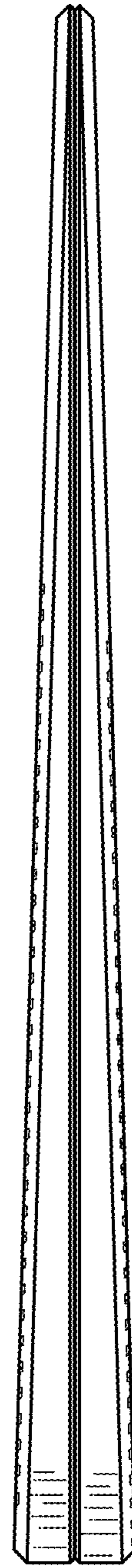


Fig. 4

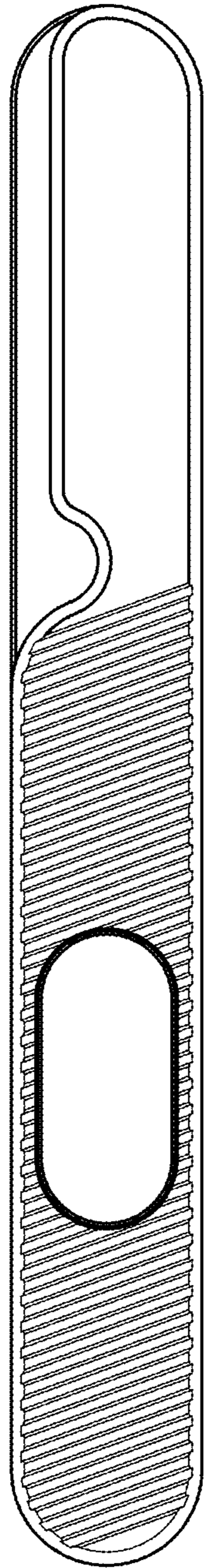


Fig. 5

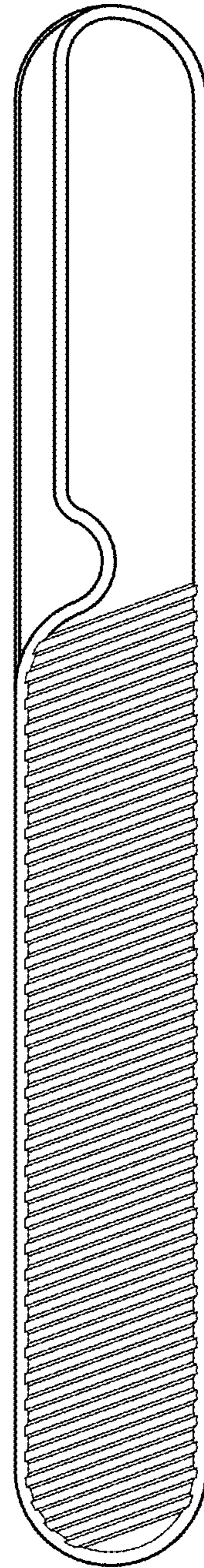


Fig. 6

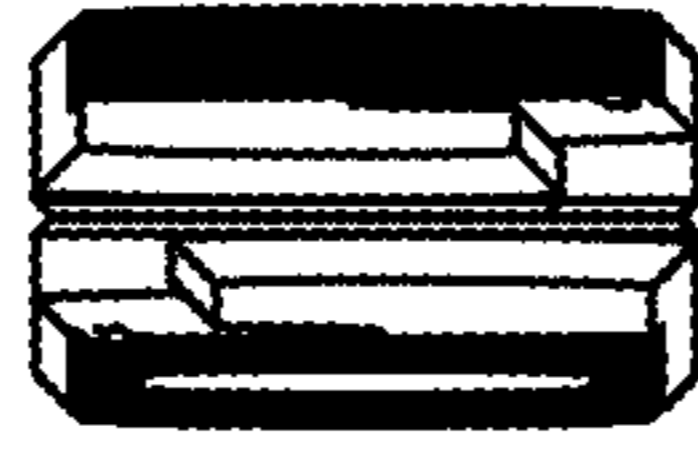


Fig. 7

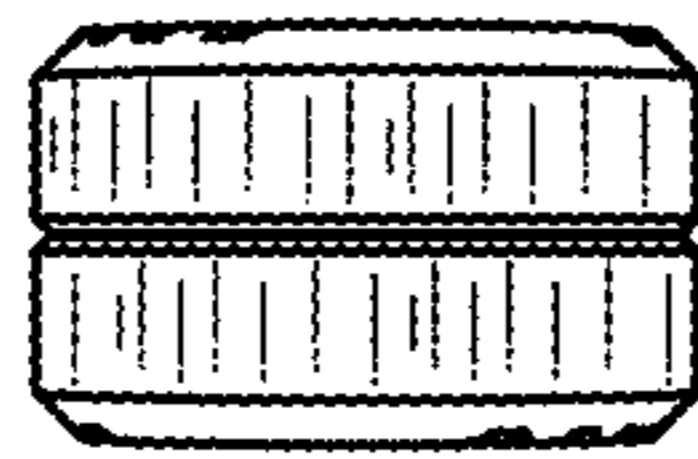


Fig. 8

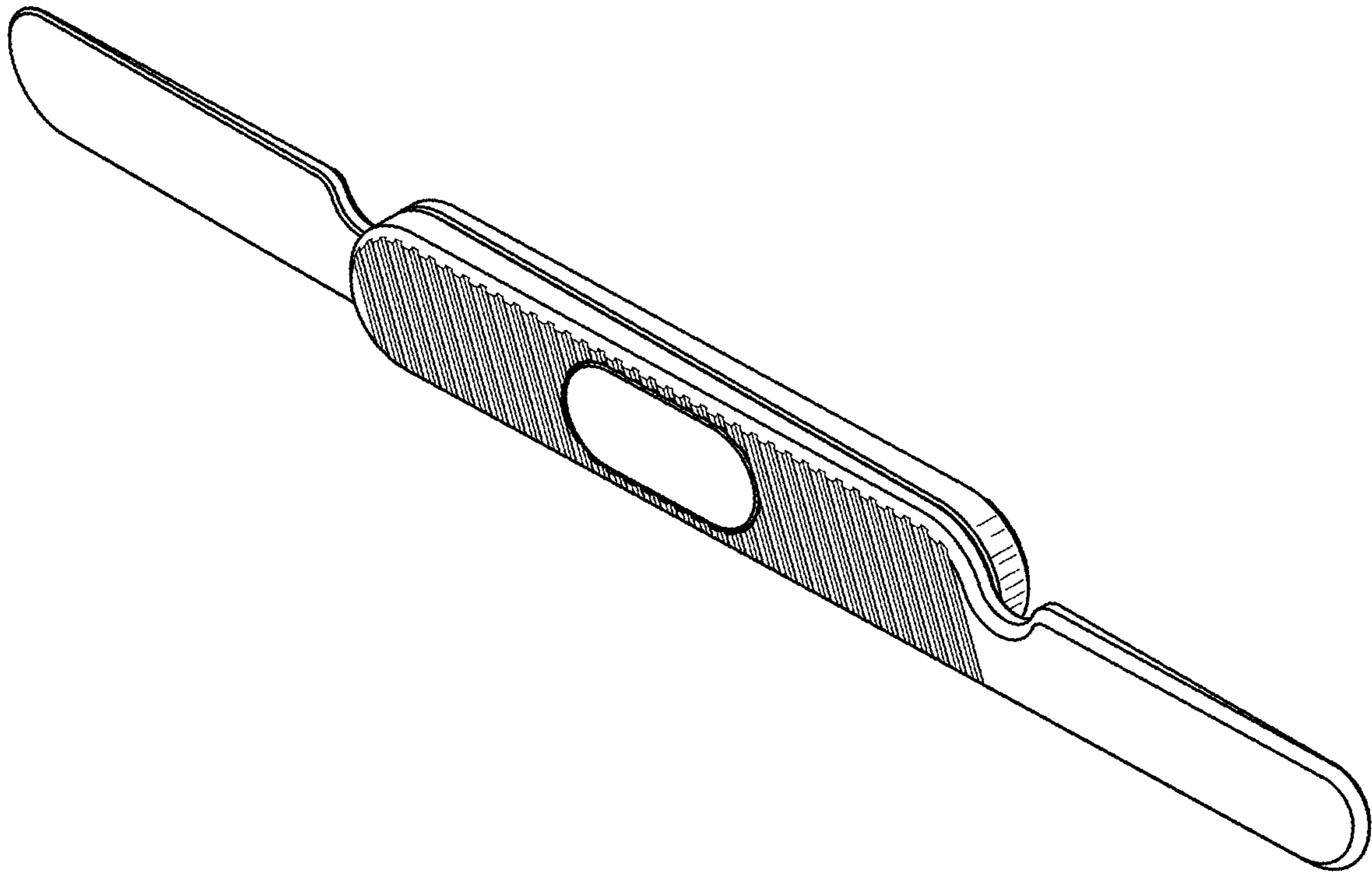


Fig. 9

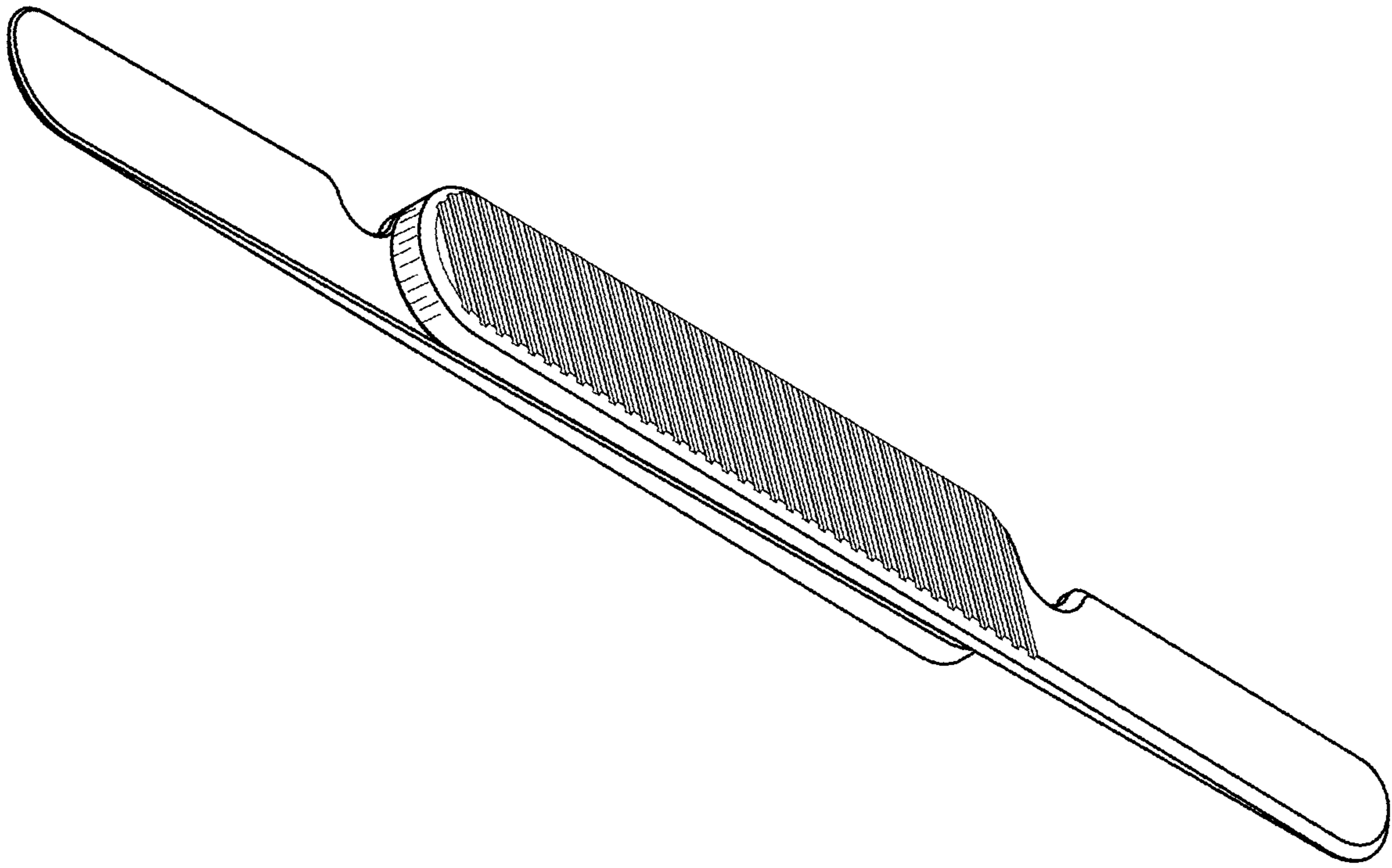


Fig. 10

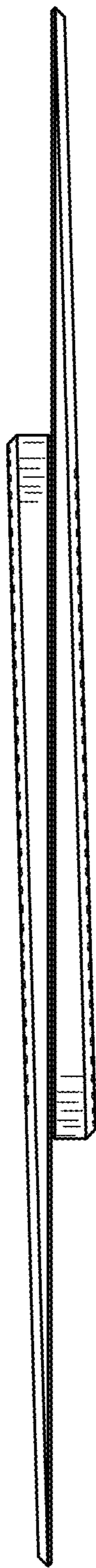


Fig. 11

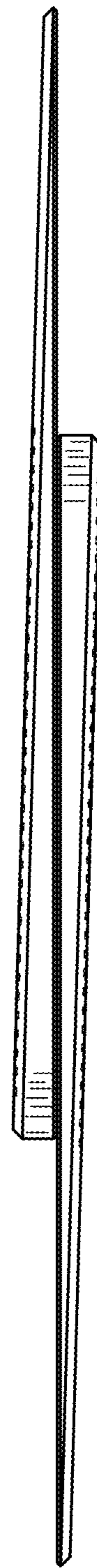


Fig. 12

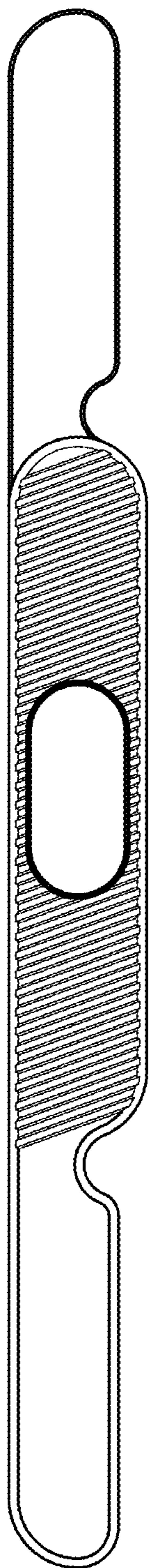


Fig. 13

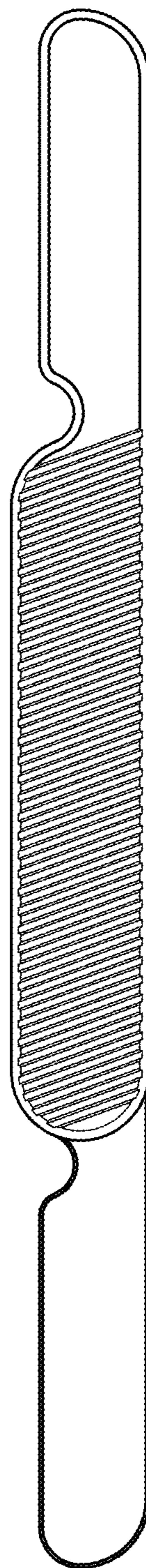


Fig. 14

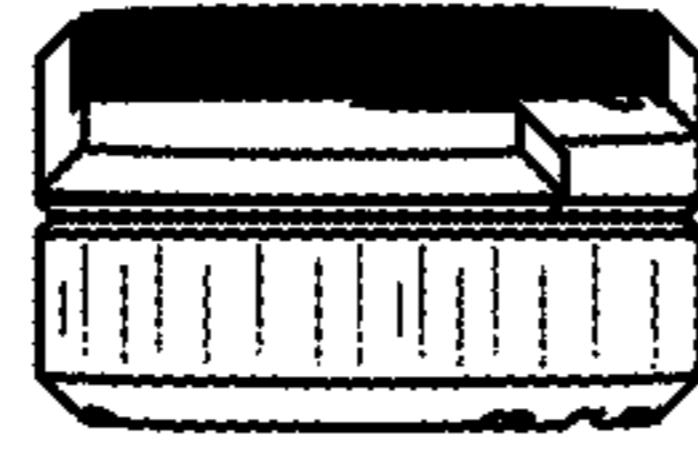


Fig. 15

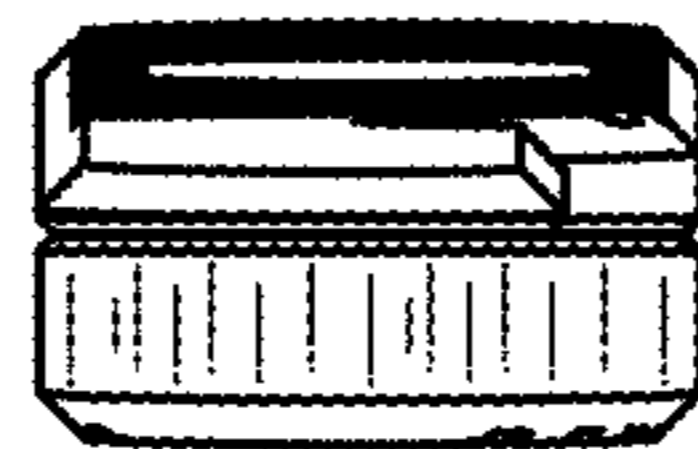


Fig. 16