



US00D884437S

(12) **United States Design Patent**
Grossman

(10) **Patent No.:** **US D884,437 S**

(45) **Date of Patent:** **** May 19, 2020**

(54) **TOOTHPICK DISPENSER**

(71) Applicant: **Evan T. Grossman**, Jupiter, FL (US)

(72) Inventor: **Evan T. Grossman**, Jupiter, FL (US)

(73) Assignee: **Pixotine Products, Inc.**, Jupiter, FL (US)

(**) Term: **15 Years**

(21) Appl. No.: **29/612,154**

(22) Filed: **Jul. 28, 2017**

(51) **LOC (12) Cl.** **07-07**

(52) **U.S. Cl.**
USPC **D7/635**; D28/65

(58) **Field of Classification Search**
USPC D28/65, 66, 67, 68; D7/635, 636; D3/28
CPC A61C 15/02; A61C 15/00; A61C 15/04;
A61C 15/041; A61C 15/043; A61C
15/045; A61C 15/046; A61C 15/047;
A61C 15/048

See application file for complete search history.

(56) **References Cited**

U.S. PATENT DOCUMENTS

D275,676 S *	9/1984	Nakagawa	D14/479
D289,335 S *	4/1987	Scofield	D28/23
D319,727 S *	9/1991	Kitada	D6/631
5,076,423 A *	12/1991	Russack	A61C 15/043 132/325
5,224,599 A *	7/1993	Uchida	G11B 33/0405 206/308.3
D339,215 S *	9/1993	Spencer, Jr.	D28/66
5,407,073 A *	4/1995	Uchida	G11B 33/0411 206/308.3
D365,422 S *	12/1995	Hallam	D28/65
D381,501 S *	7/1997	Leininger	D3/226
D399,604 S *	10/1998	Wolff	D28/66
D408,129 S *	4/1999	Spraulding	D3/201
6,476,817 B1 *	11/2002	Harper	G11B 23/40 345/24

D491,313 S *	6/2004	Schrott	D28/66
D571,045 S *	6/2008	Griffin	D28/66
D619,767 S *	7/2010	Antler	D28/66
D641,523 S *	7/2011	Nanda	D28/66
D643,254 S *	8/2011	Maudsley	D7/636

(Continued)

OTHER PUBLICATIONS

Vapordomaintx, posted on May 11, 2017 [online], retrieved Sep. 25, 2018, retrieved from internet, <<https://www.instagram.com/p/BT9bvUPg0Jj/?tagged=pixotine>>.*

(Continued)

Primary Examiner — Barbara Fox

Assistant Examiner — Messina L Smith

(74) *Attorney, Agent, or Firm* — Glenn E. Gold, P.A.;
Glenn E. Gold

(57) **CLAIM**

I claim the ornamental design for a toothpick dispenser, as shown and described.

DESCRIPTION

FIG. 1 is a front perspective view of a toothpick dispenser showing my new design;

FIG. 2 is a rear side elevation view thereof;

FIG. 3 is a front side elevation view thereof;

FIG. 4 is a left side elevation view thereof;

FIG. 5 is a right side elevation view thereof;

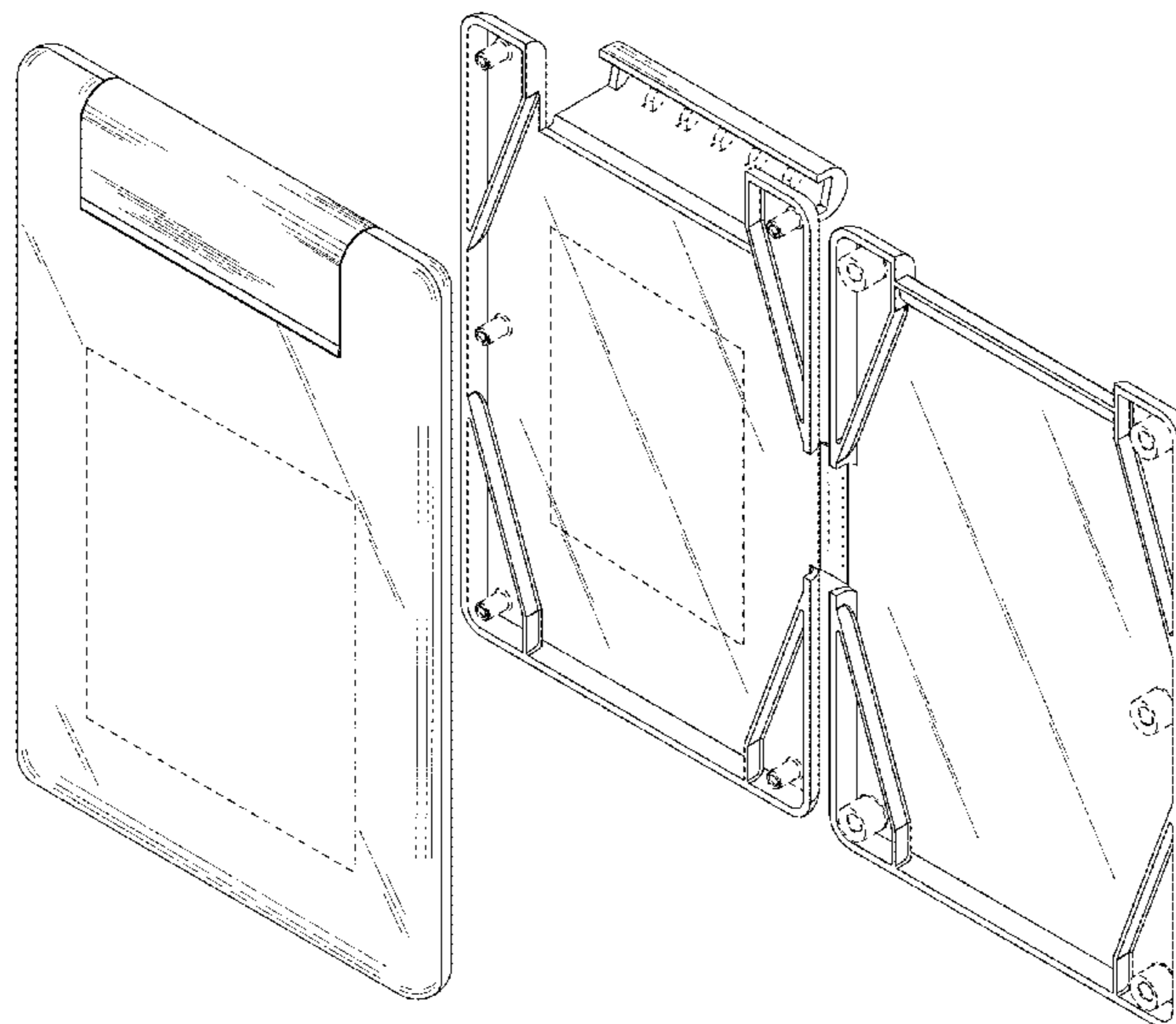
FIG. 6 is an exterior front perspective view of the toothpick dispenser in an open configuration thereof;

FIG. 7 is an interior rear perspective view of the toothpick dispenser in an open configuration thereof; and,

FIG. 8 is an interior rear side view of the toothpick dispenser in an open configuration thereof.

The broken lines in the drawings depict portions of the toothpick dispenser that form no parts of the claimed design.

1 Claim, 6 Drawing Sheets



(56)

References Cited

U.S. PATENT DOCUMENTS

D674,250 S * 1/2013 Maudsley D7/635
D726,966 S * 4/2015 McDougall D28/66
D777,042 S * 1/2017 Cameron D9/701
2006/0283479 A1* 12/2006 Kernot A61C 15/043
132/325
2014/0251370 A1* 9/2014 Klopf A61C 15/043
132/321

OTHER PUBLICATIONS

Pixotine—Cinnamon, no posting date [online], retrieved Sep. 25, 2018, retrieved from internet, <<https://pixotine.com/collections/frontpage/products/pixotine-cinnamon-15-nicotine-toothpicks-1>>.*

* cited by examiner

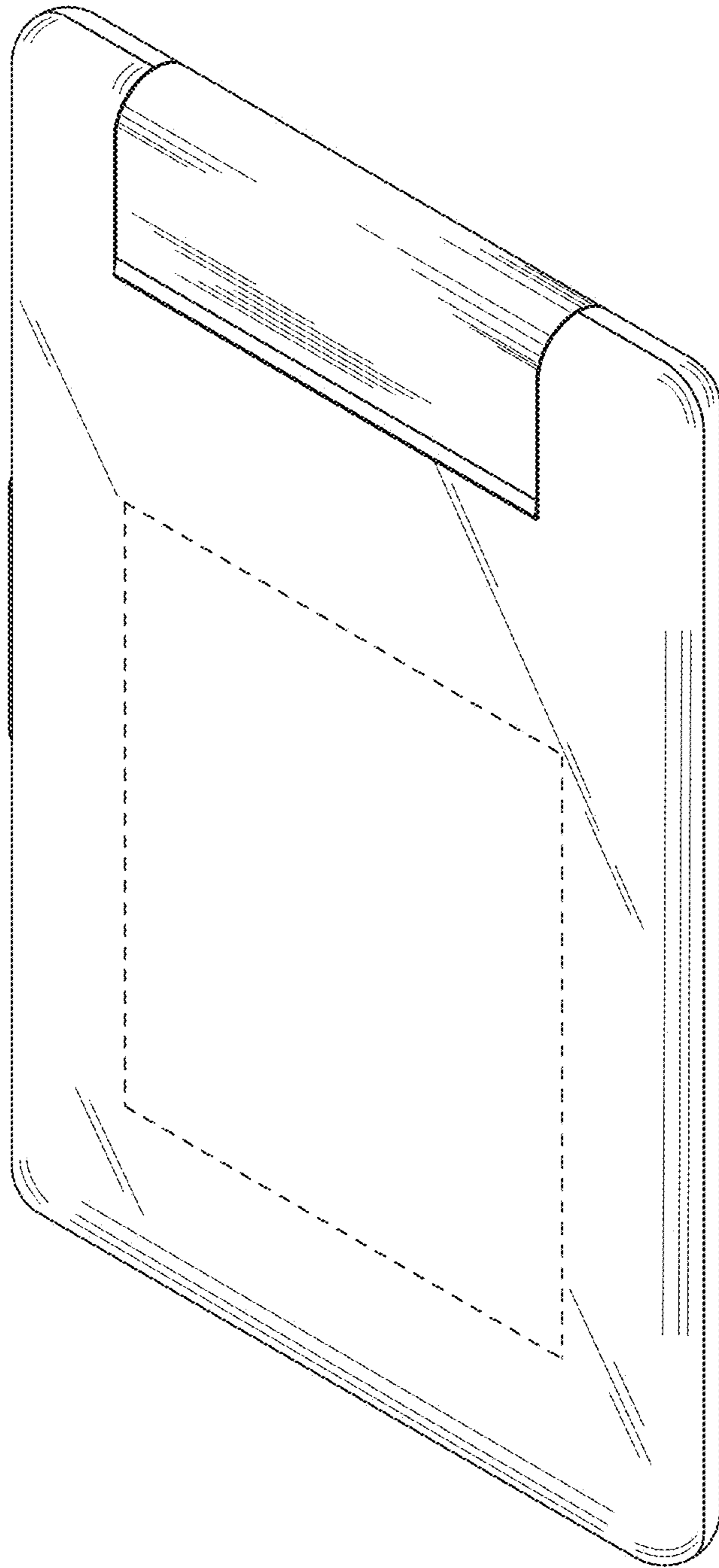


FIG. 1

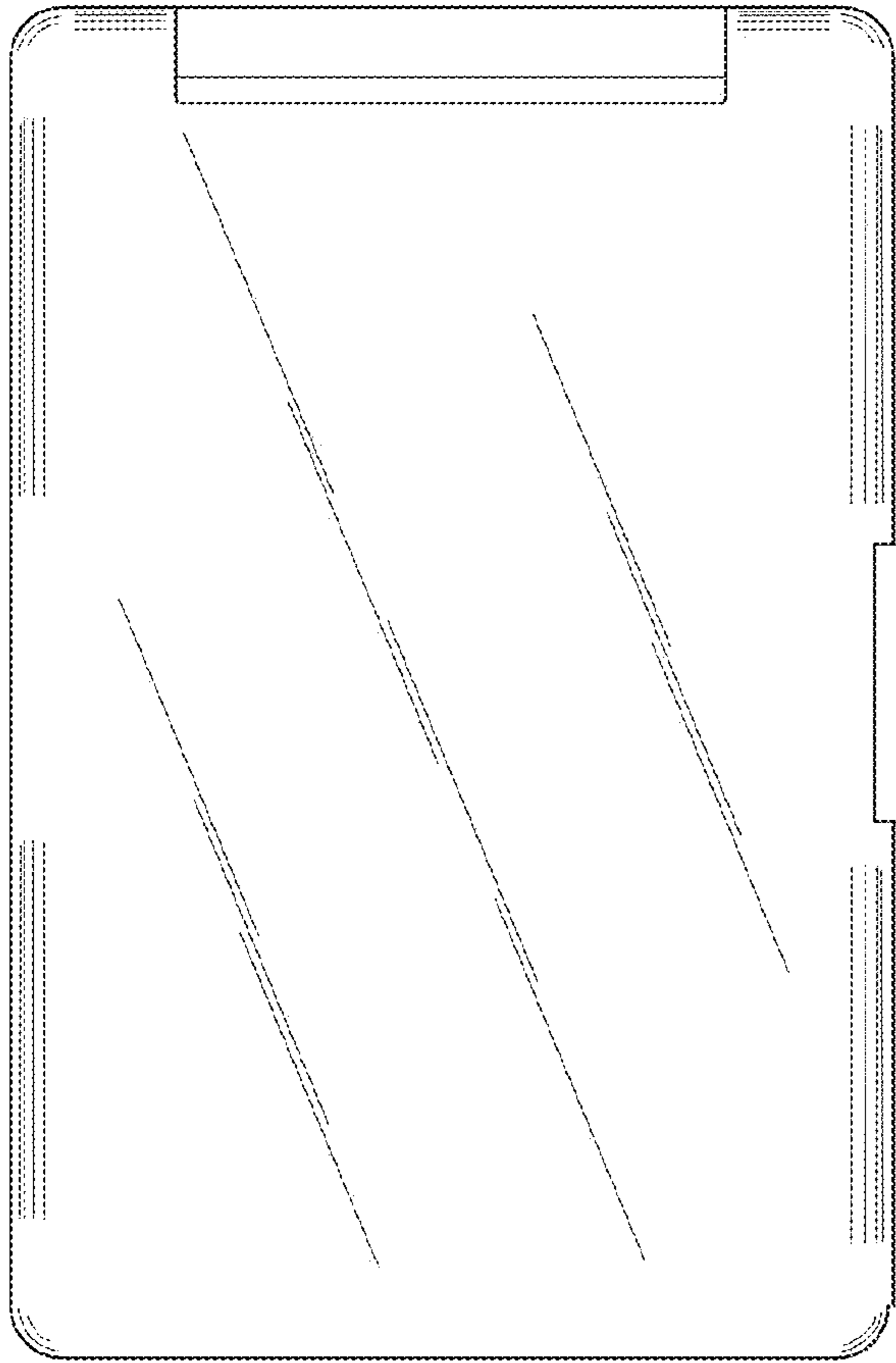


FIG. 2

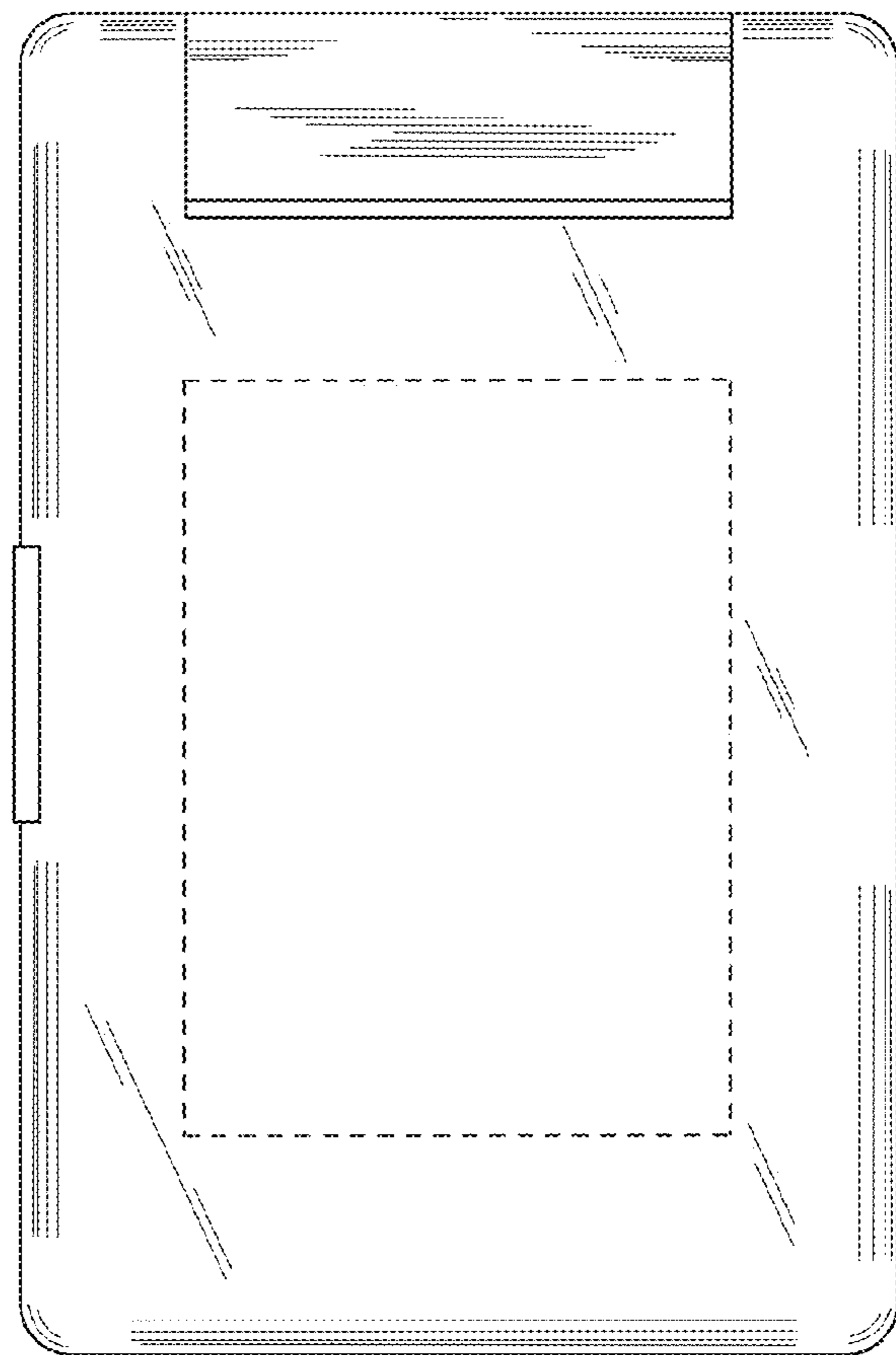


FIG. 3

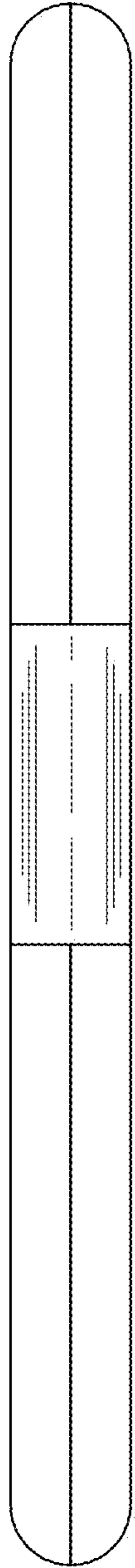


FIG. 4

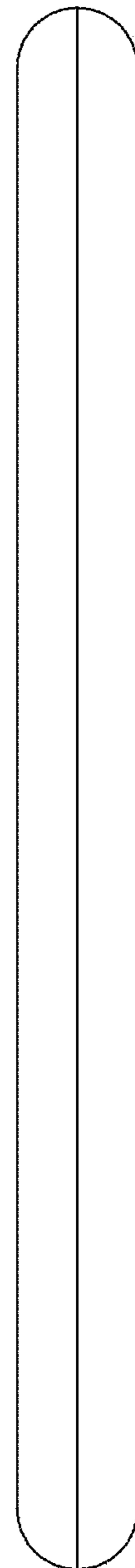


FIG. 5

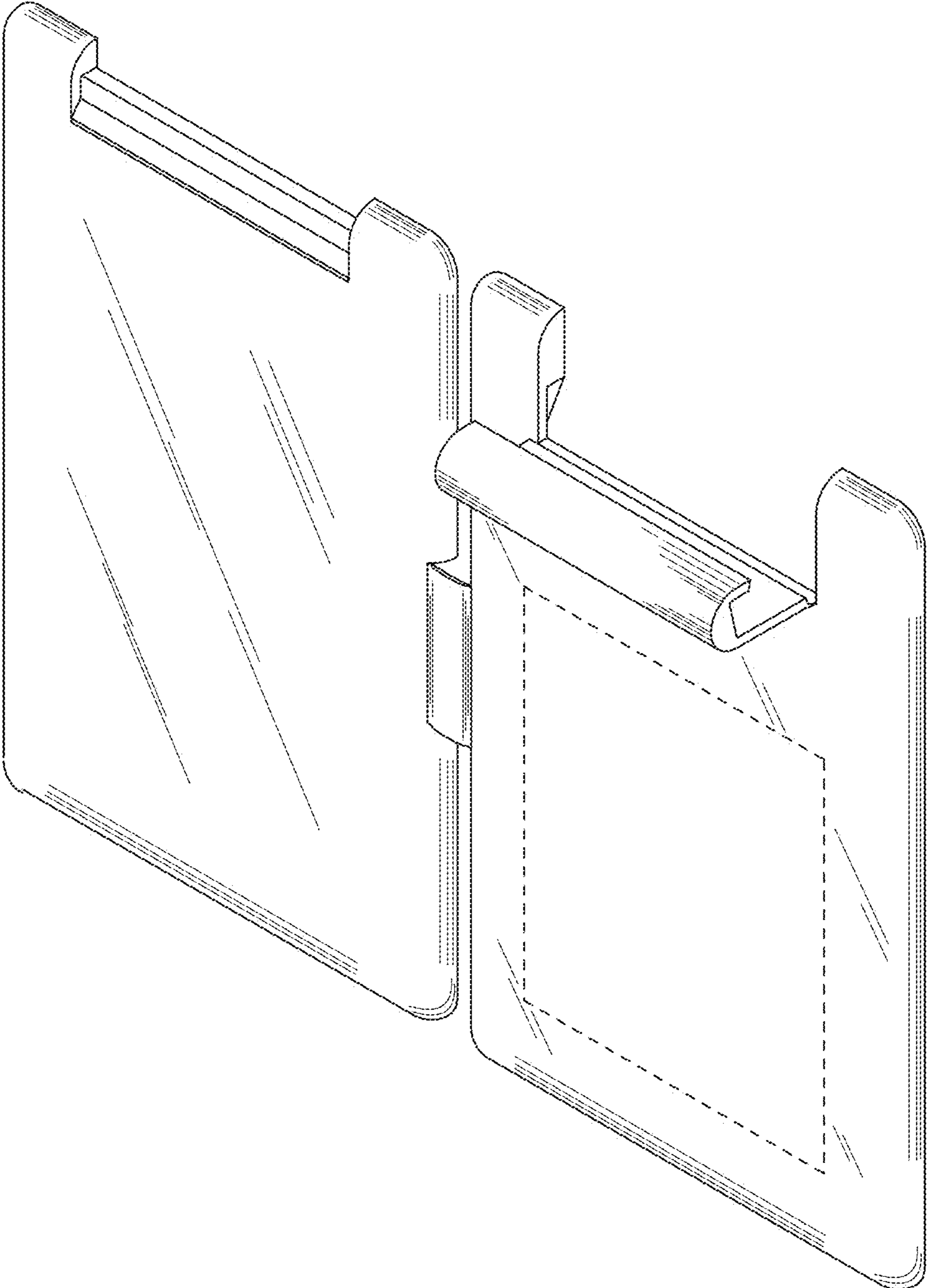


FIG. 6

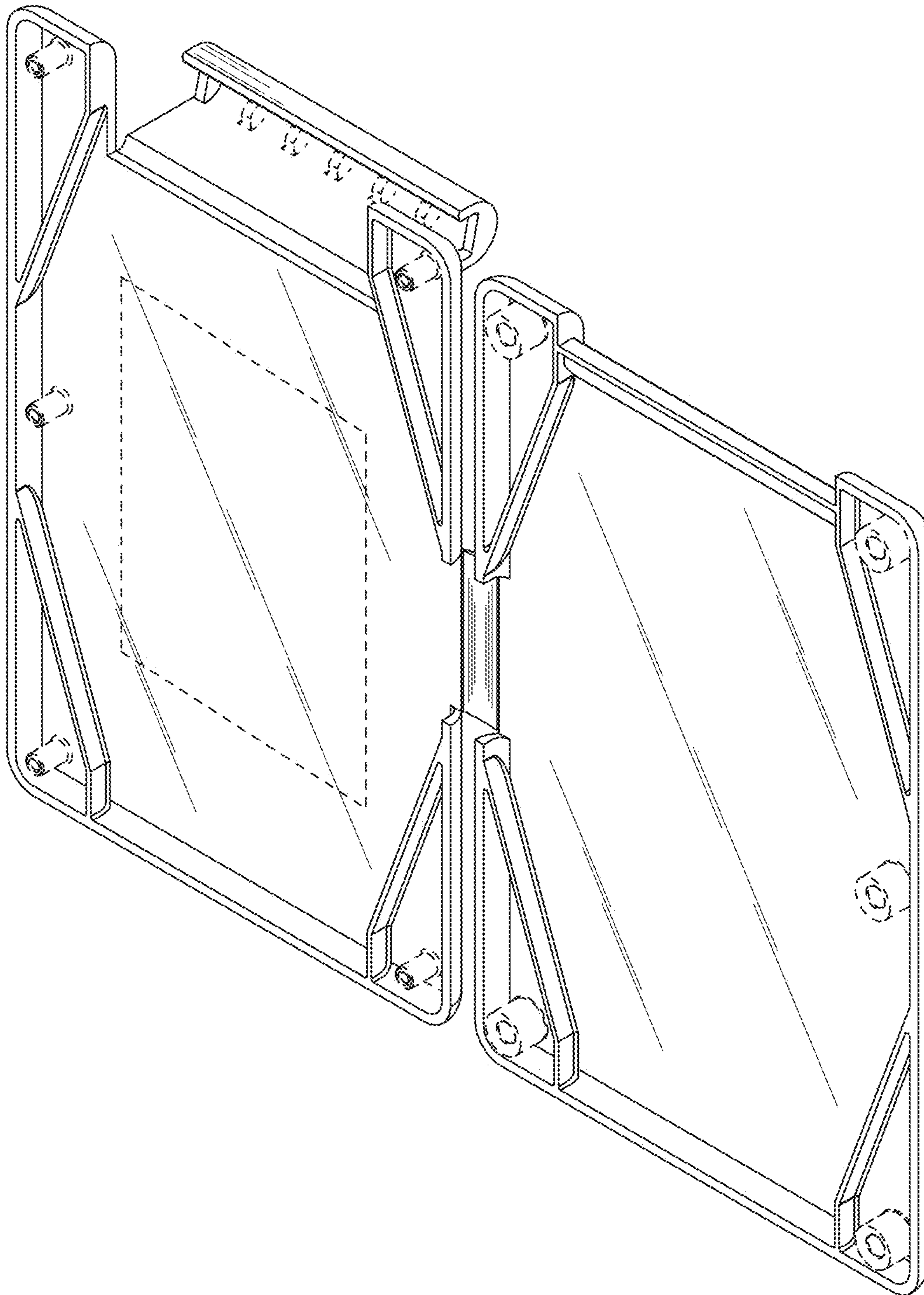


FIG. 7

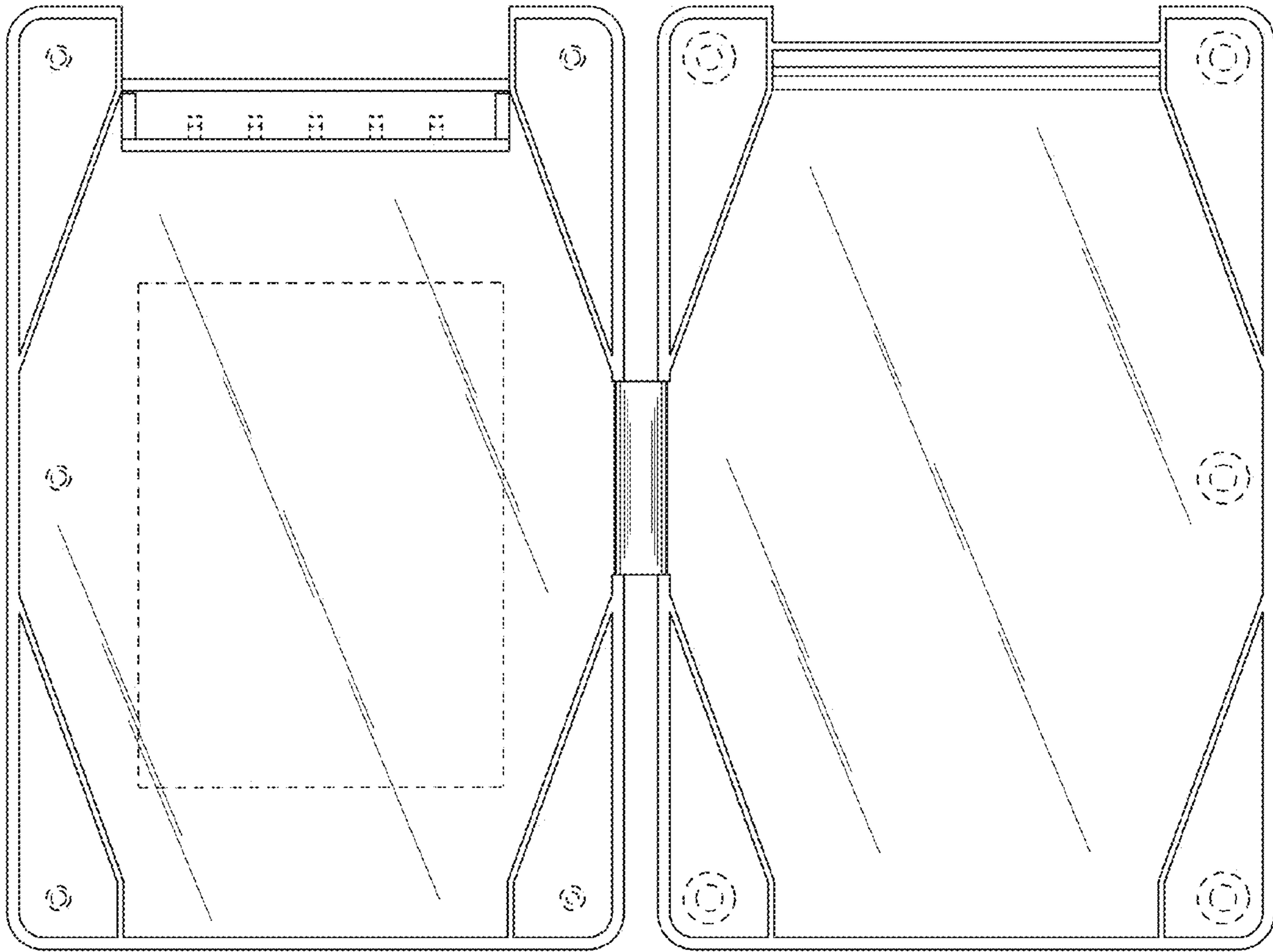


FIG. 8