



US00D884436S

(12) **United States Design Patent** (10) **Patent No.:** **US D884,436 S**
Lindsay et al. (45) **Date of Patent:** **** May 19, 2020**

(54) **LIDDED CONTAINER**
(71) Applicant: **Sistema Plastics Limited**, Mangere, Auckland (NZ)
(72) Inventors: **Cameron Lindsay**, Auckland (NZ); **James Richard Manley**, Auckland (NZ)
(73) Assignee: **SISTEMA PLASTICS LIMITED** (NZ)
(**) Term: **15 Years**
(21) Appl. No.: **29/648,628**
(22) Filed: **May 23, 2018**
(30) **Foreign Application Priority Data**

Nov. 23, 2017 (NZ) 423737
(51) **LOC (12) Cl.** **09-02**
(52) **U.S. Cl.**
USPC **D7/615**
(58) **Field of Classification Search**
USPC D7/615, 612, 602, 601, 538
CPC . B65D 39/12; B65D 43/0218; B65D 21/0233
See application file for complete search history.

(56) **References Cited**
U.S. PATENT DOCUMENTS
1,573,620 A 2/1926 Allston
2,326,414 A 8/1943 Thompson
2,488,611 A 11/1949 Stallings
2,514,573 A 7/1950 Harrison
2,575,299 A 11/1951 Scheel
2,595,113 A 4/1952 Taberer
3,091,361 A 5/1963 Gawron
3,143,205 A 8/1964 Ruderian

3,369,691 A 2/1968 Wei
D458,807 S * 6/2002 Trazzi D7/523
D506,359 S * 6/2005 Zettle D7/615
D507,937 S * 8/2005 Dais D7/602
D508,187 S * 8/2005 Dais D7/602
D524,119 S * 7/2006 Kim D7/615
D545,133 S * 6/2007 Wasserman D7/565
D557,076 S * 12/2007 Wahl D7/615
D604,120 S * 11/2009 Curtin D7/629
D674,248 S * 1/2013 Lindsay D7/629
D679,959 S * 4/2013 Lane D7/615
D682,617 S * 5/2013 Miksovsky D7/507
D699,078 S * 2/2014 Katterheinrich D7/587
9,120,598 B2 9/2015 Meyers et al.
9,211,040 B2 * 12/2015 Lane A45C 11/20
D746,641 S * 1/2016 Panone D7/602
D759,434 S * 6/2016 Duvigneau D7/615
9,492,024 B2 11/2016 Sorensen et al.
D787,317 S * 5/2017 Dunn D9/500
D815,925 S * 4/2018 Rapparini D9/500
D863,054 S * 10/2019 Wenck D9/420

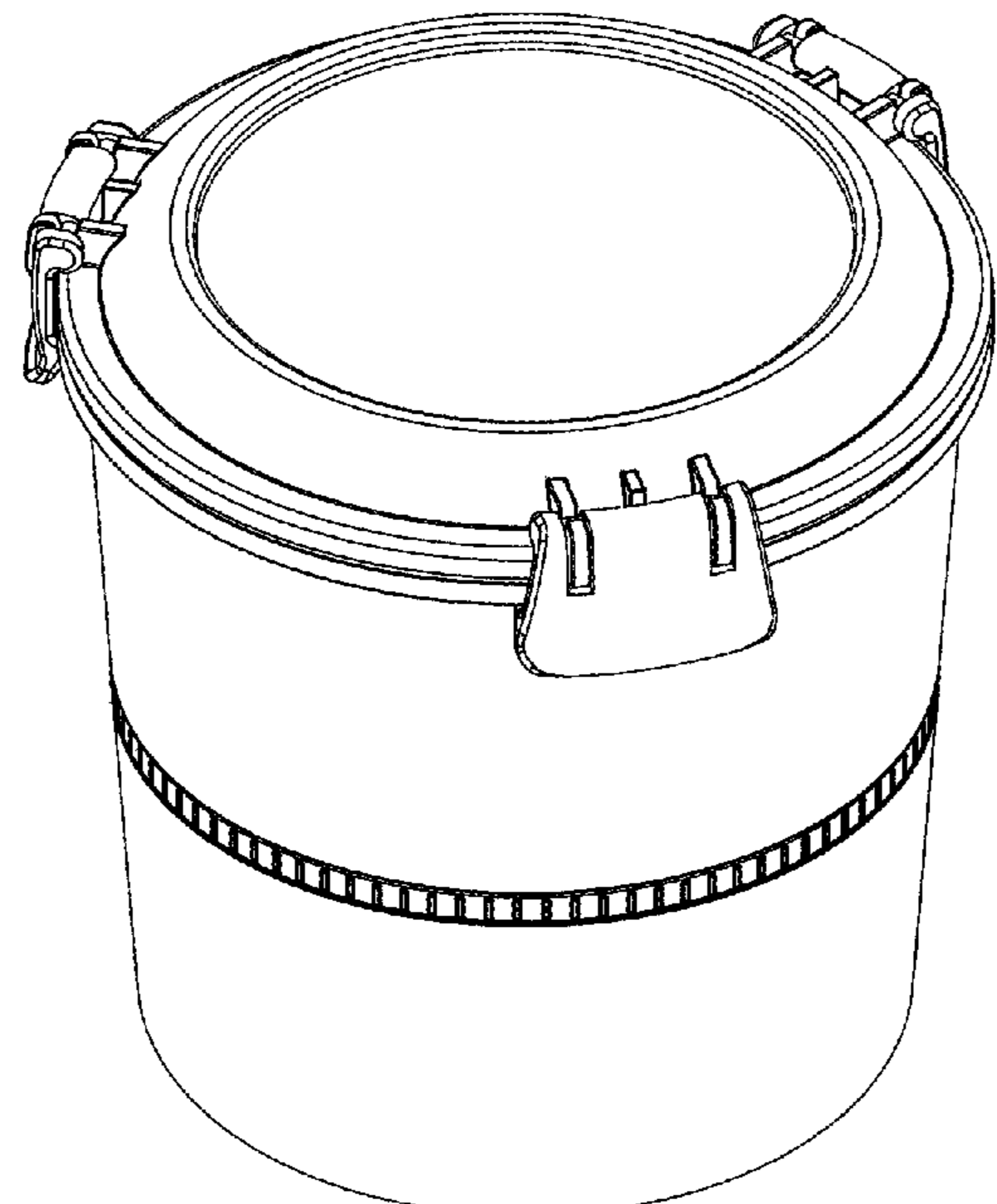
* cited by examiner
Primary Examiner — Cynthia R Underwood
(74) *Attorney, Agent, or Firm* — McCarter & English, LLP

(57) **CLAIM**
The ornamental design for a lidded container, as shown and described.

DESCRIPTION

FIG. 1 is a top rear perspective view of a lidded container; FIG. 2 is a front view of the lidded container of FIG. 1; FIG. 3 is a left side view of the lidded container of FIG. 1; FIG. 4 is a rear view of the lidded container of FIG. 1; FIG. 5 is a right side view of the lidded container of FIG. 1; FIG. 6 is a top view of the lidded container of FIG. 1; and, FIG. 7 is a bottom view of the lidded container of FIG. 1.

1 Claim, 4 Drawing Sheets



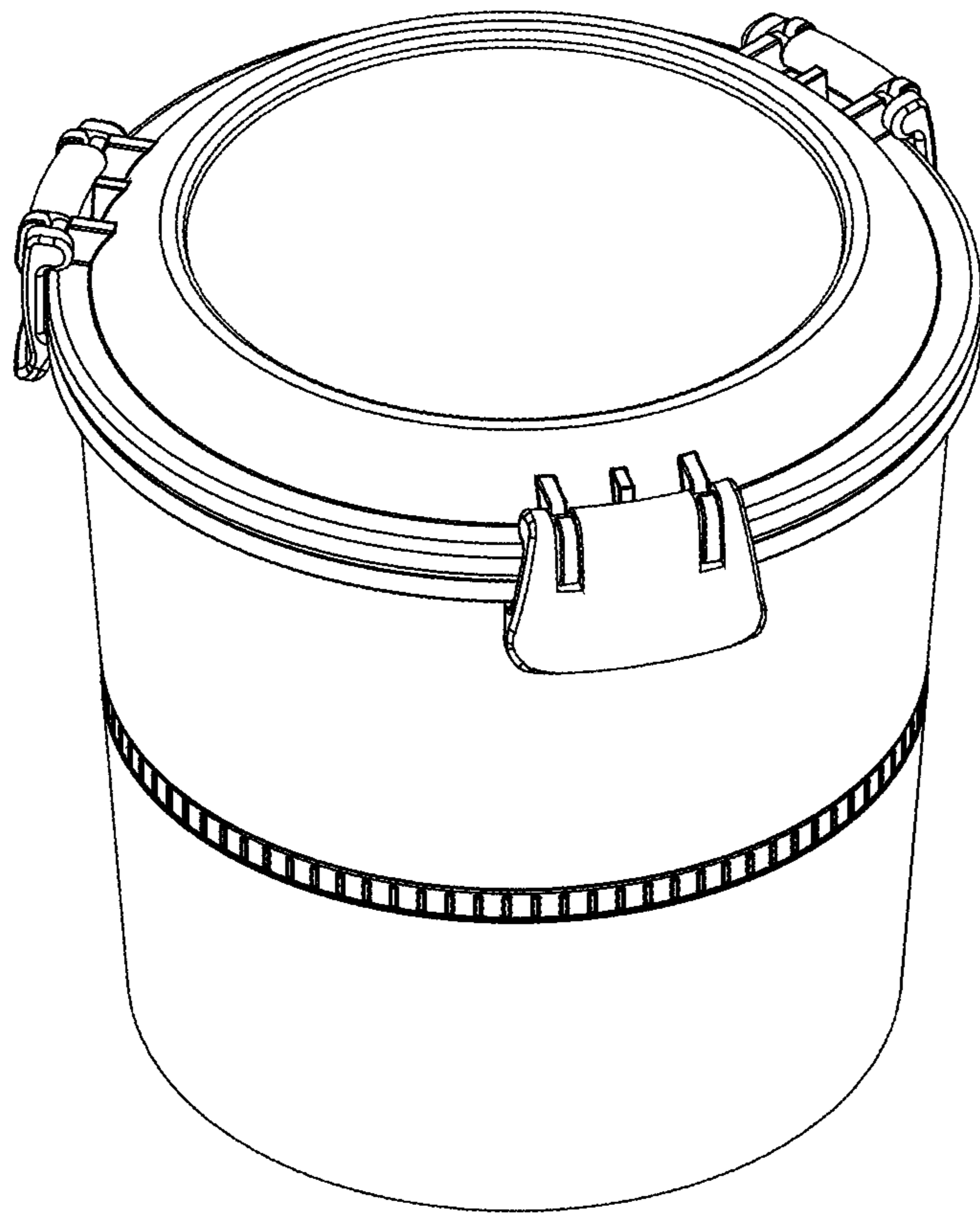


FIG. 1

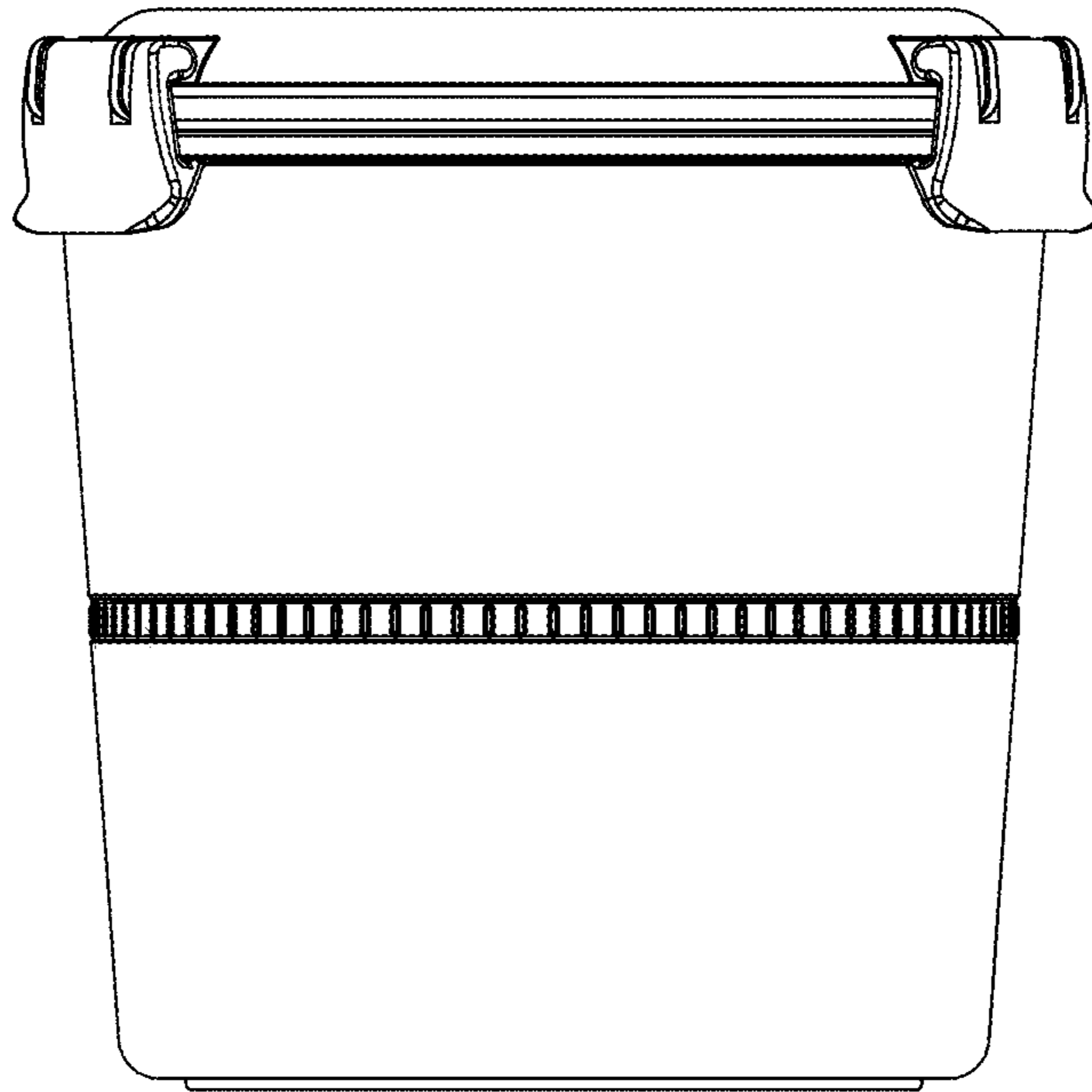


FIG. 2

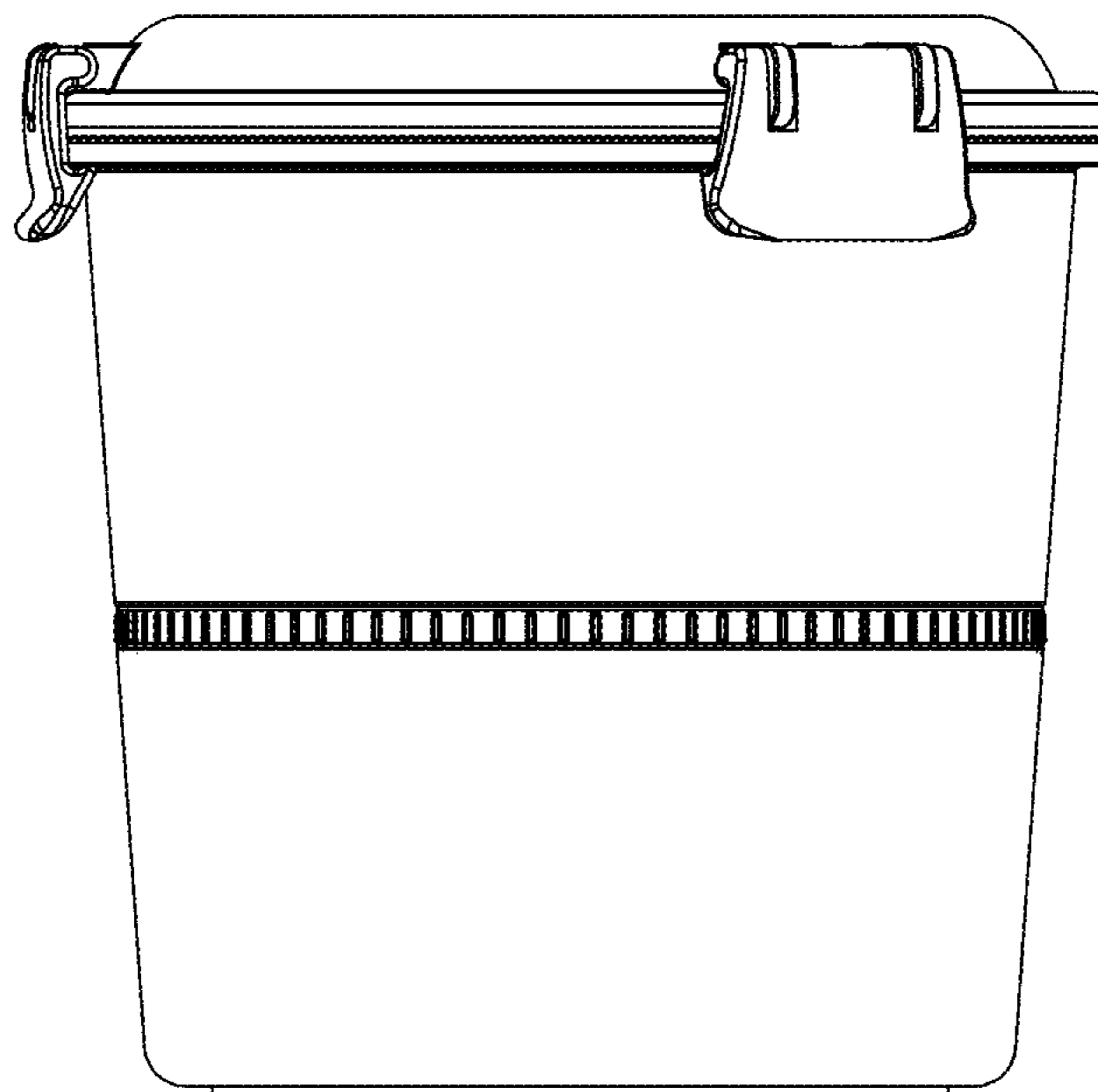


FIG. 3

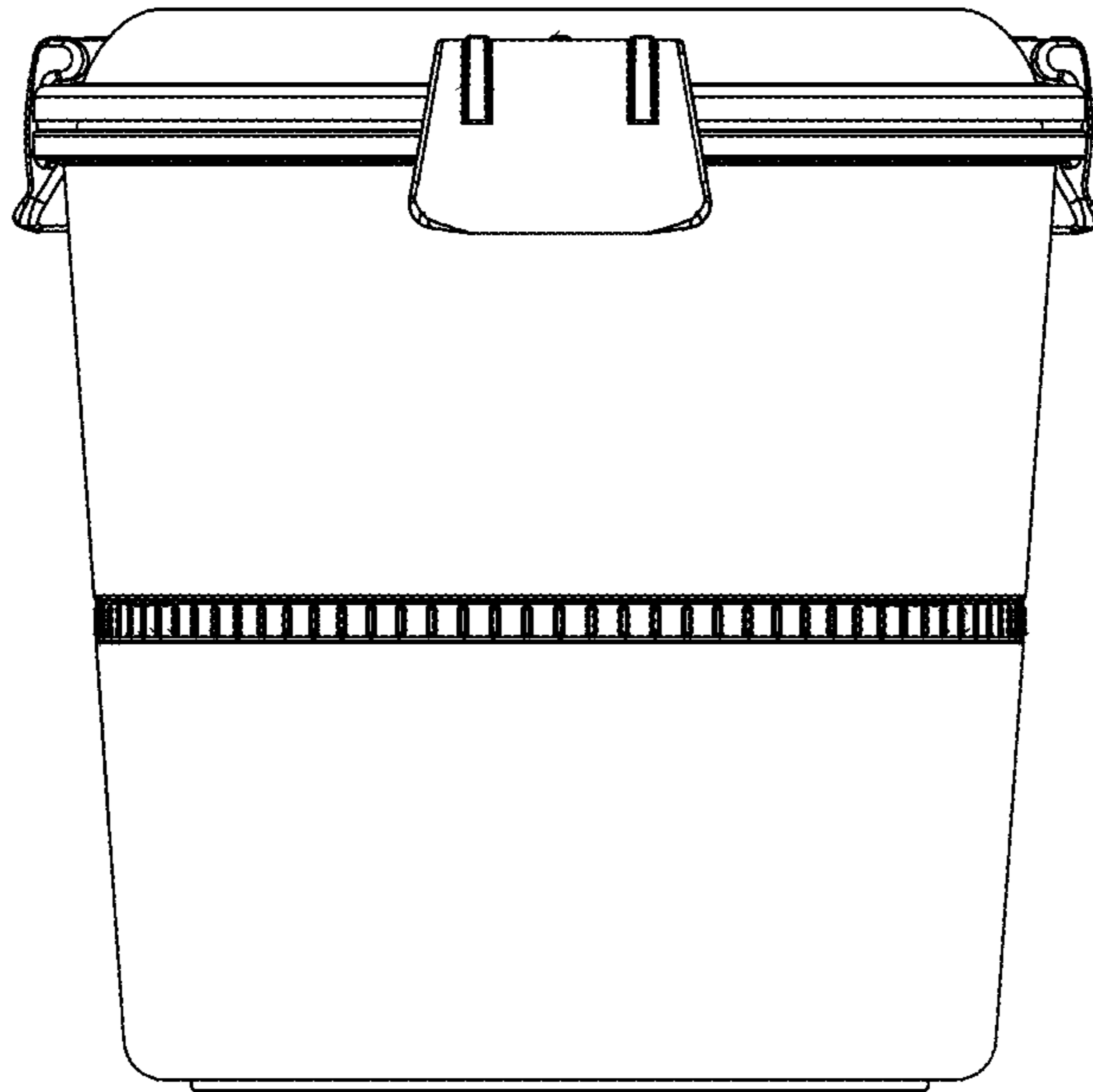


FIG. 4

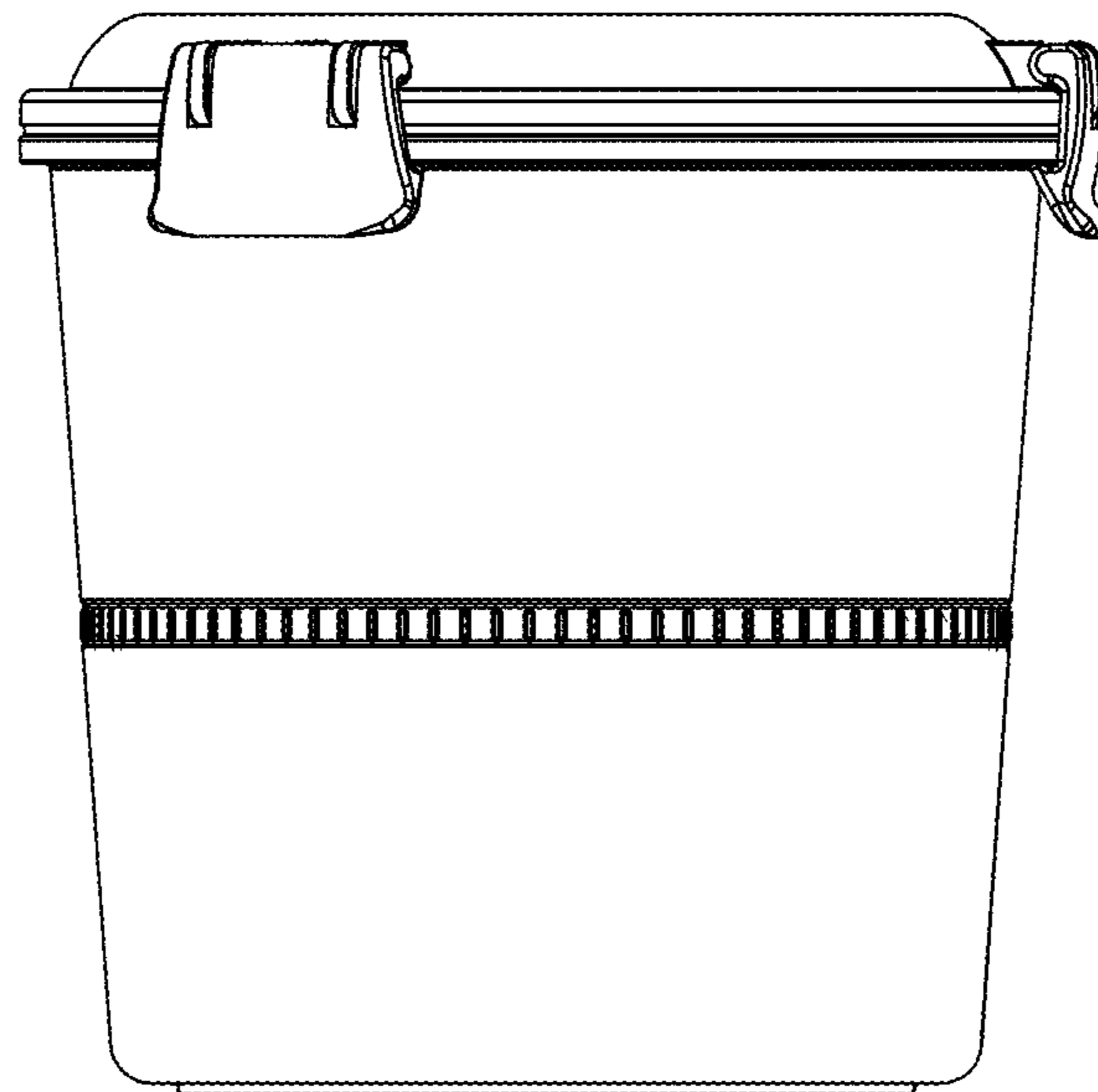


FIG. 5

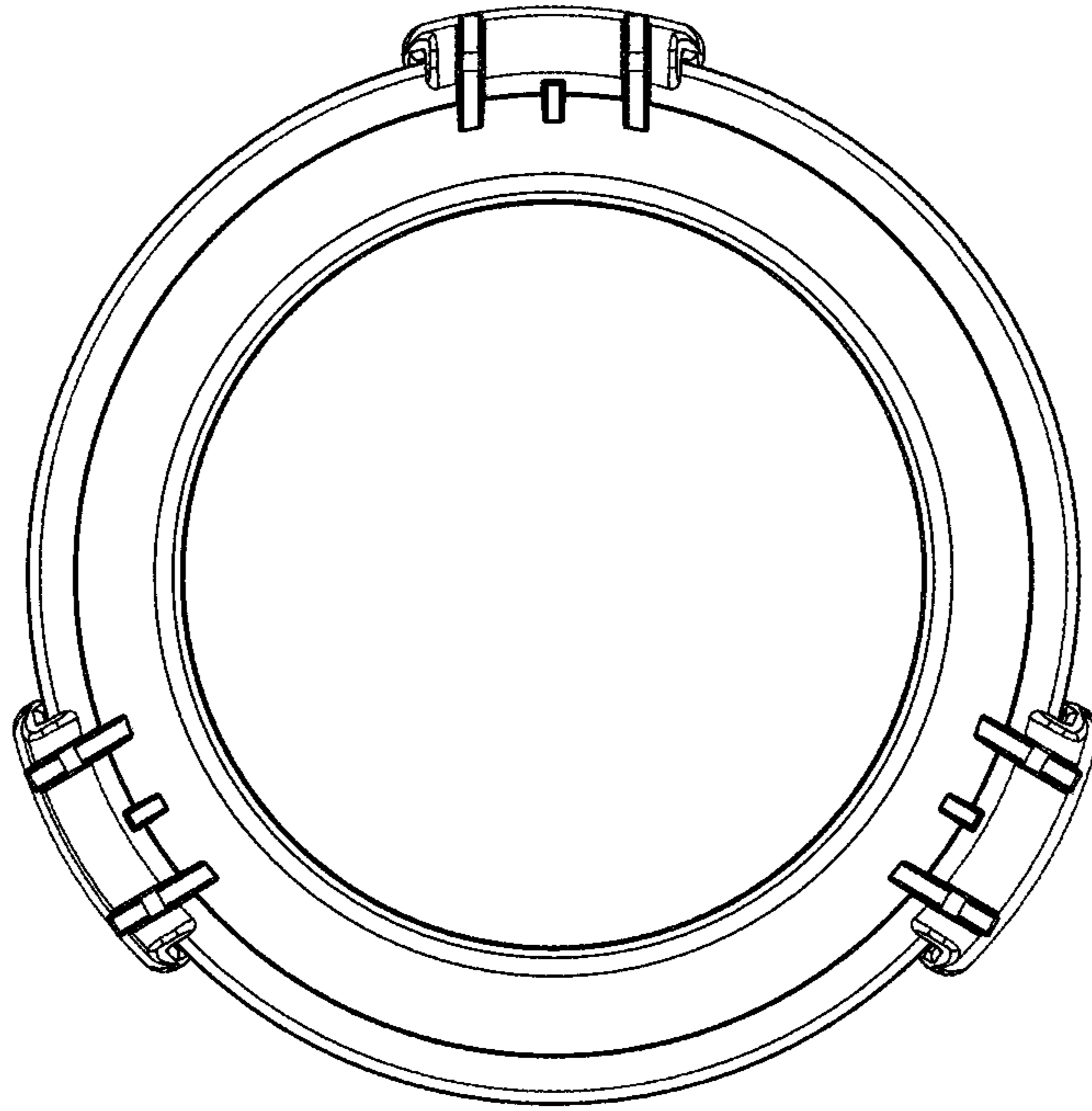


FIG. 6

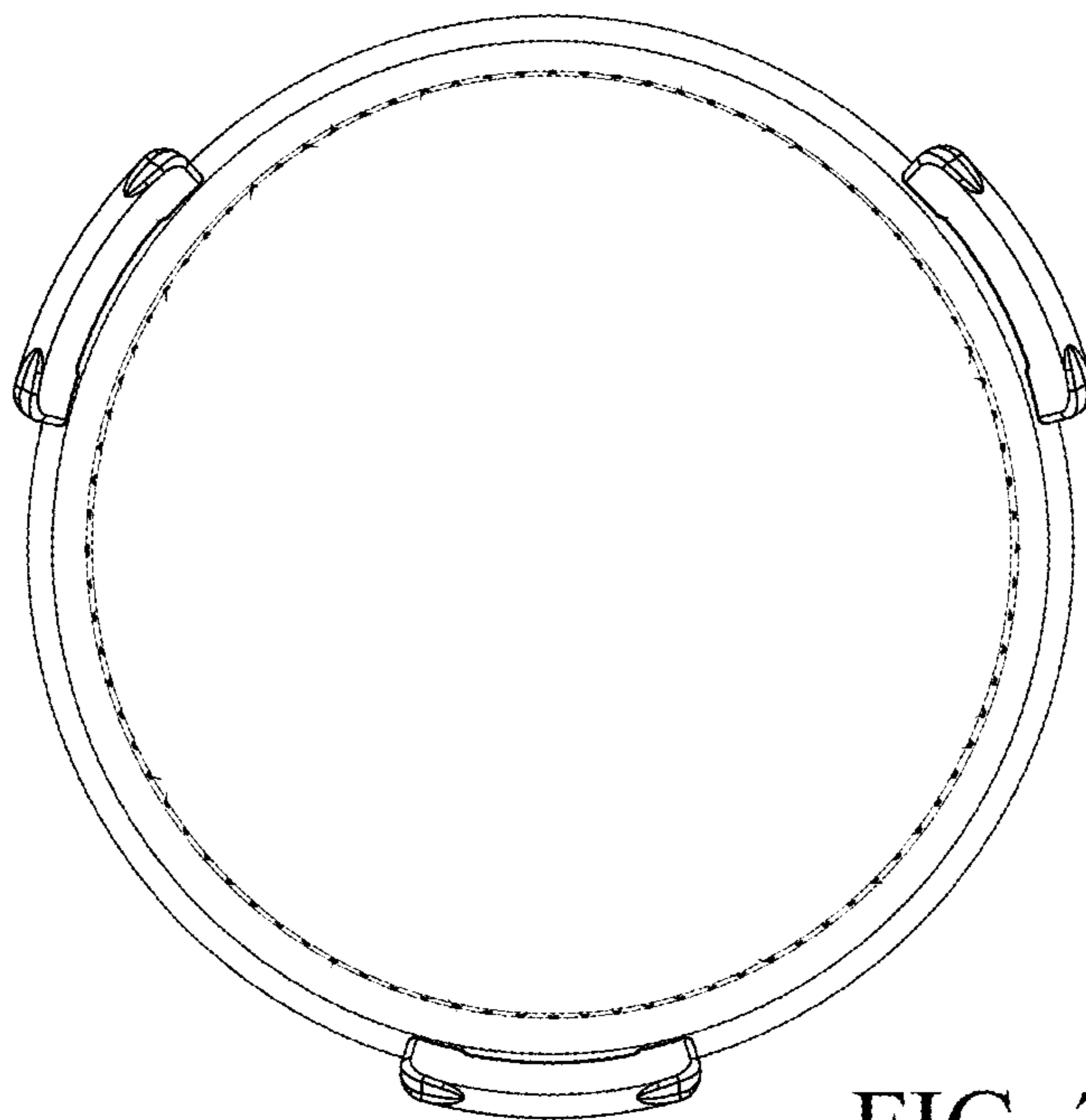


FIG. 7