



US00D884434S

(12) **United States Design Patent**
Merlino

(10) **Patent No.:** **US D884,434 S**

(45) **Date of Patent:** **** May 19, 2020**

(54) **COOLER WITH UMBRELLA HOLDER**

(71) Applicant: **Kevin Merlino**, Wyckoff, NJ (US)

(72) Inventor: **Kevin Merlino**, Wyckoff, NJ (US)

(**) Term: **15 Years**

(21) Appl. No.: **29/672,366**

(22) Filed: **Dec. 5, 2018**

(51) **LOC (12) Cl.** **07-01**

(52) **U.S. Cl.**
USPC **D7/605**

(58) **Field of Classification Search**
USPC D7/605–607, 629, 630; D3/272–274;
D15/81
CPC .. A45C 11/20; A45C 5/14; A45C 5/03; A45C
9/00; A47B 77/08; A47J 41/022; A47G
19/2288; F25B 19/00; B62B 3/003; B62B
1/12; B65D 81/3823; B65D 81/3858;
B65D 81/3813; B65D 81/3888; B65D
81/3816; B65D 81/3827; B65D 1/40;
F25D 3/08; F25D 3/12; F25D 3/14; F25D
27/00; F25D 2331/804; F25D 2400/08;
F25D 2400/22; F25D 31/005; F25D
25/02; F25D 21/14; F25D 2303/081;
F25D 2302/804; F25D 23/12; B67D
3/0067; A63B 71/023; A45B 23/00; A45B
3/00; A45F 3/46

See application file for complete search history.

6,755,428 B2 * 6/2004 Butler A45C 9/00
280/47.26

D514,891 S * 2/2006 Garcia D7/605

6,993,931 B1 * 2/2006 Hamilton A45B 23/00
62/371

7,140,507 B2 * 11/2006 Maldonado A45C 11/20
220/592.2

7,143,601 B1 * 12/2006 Jimenez F25D 23/12
62/457.7

D674,245 S * 1/2013 Williams, Jr. D7/605

9,150,235 B2 * 10/2015 Galante B62B 1/12

2002/0095947 A1 * 7/2002 Treppedi A45C 11/20
62/457.9

2004/0178208 A1 * 9/2004 Leba F25D 3/08
220/761

2011/0056233 A1 * 3/2011 Flaker A63B 71/023
62/457.7

2016/0187046 A1 * 6/2016 Chen et al. A45C 11/20
62/239

* cited by examiner

Primary Examiner — Terry A Wallace
(74) *Attorney, Agent, or Firm* — Scott H. Kaliko, Esq.;
Kaliko & Associates, LLC

(57) **CLAIM**

An ornamental design for cooler with umbrella holder, as shown and described.

DESCRIPTION

FIG. 1 is a perspective view of a cooler with umbrella holder showing my new design.

FIG. 2 is a front view thereof.

FIG. 3 rear view thereof.

FIG. 4 is a side view thereof.

FIG. 5 is an opposite side view thereof.

FIG. 6 is a top plan view thereof.

FIG. 7 is a bottom plan view thereof; and,

FIG. 8 is a perspective view thereof with a cutaway.

The broken lines are for illustrative purposes only and form no part of the claimed design.

1 Claim, 7 Drawing Sheets

(56) **References Cited**

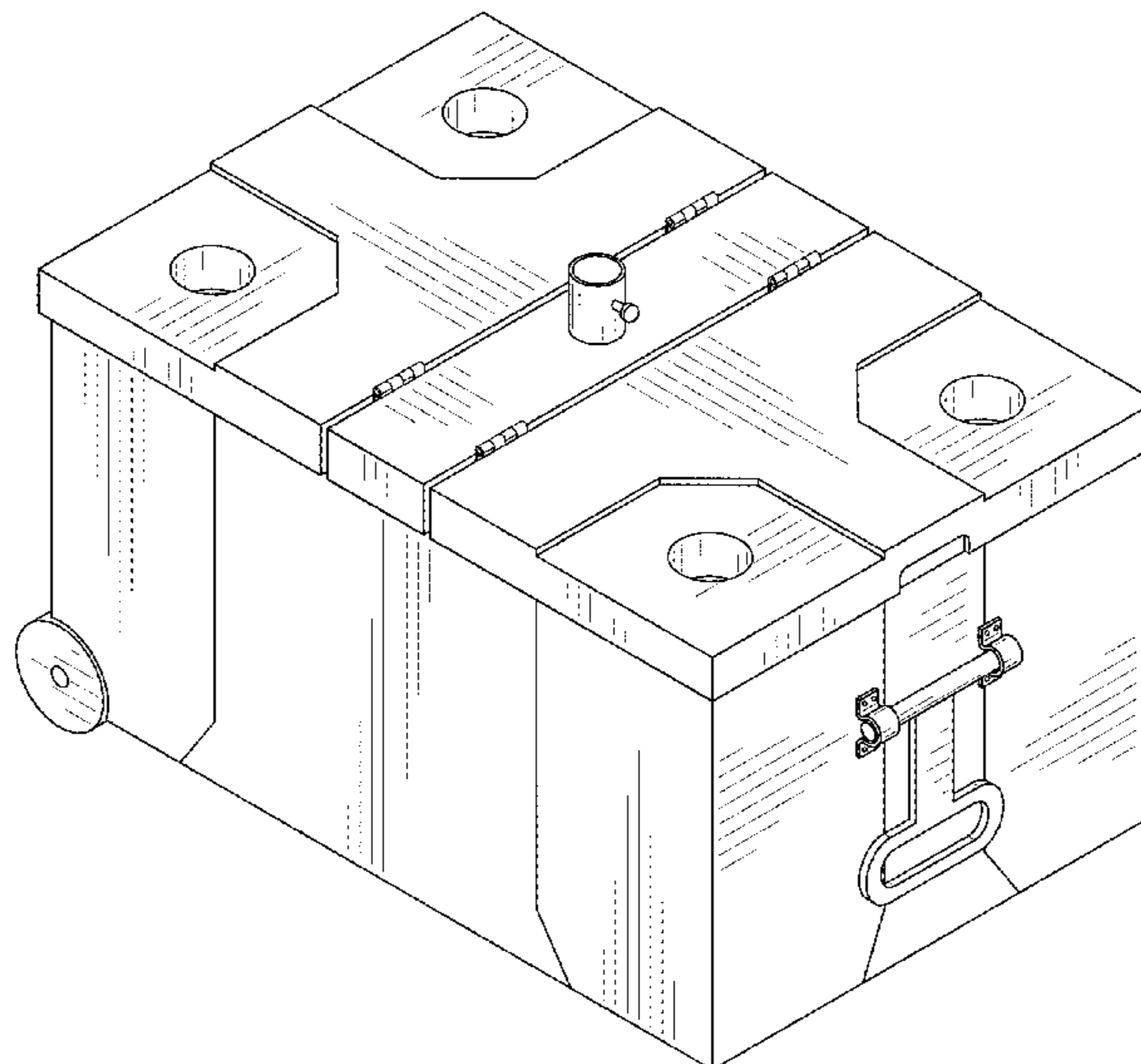
U.S. PATENT DOCUMENTS

5,407,218 A * 4/1995 Jackson A45C 5/14
280/30

6,364,329 B1 * 4/2002 Holub A45C 5/14
280/47.26

6,554,012 B2 * 4/2003 Patarra A45B 3/00
135/16

D480,276 S * 10/2003 Duart D7/605



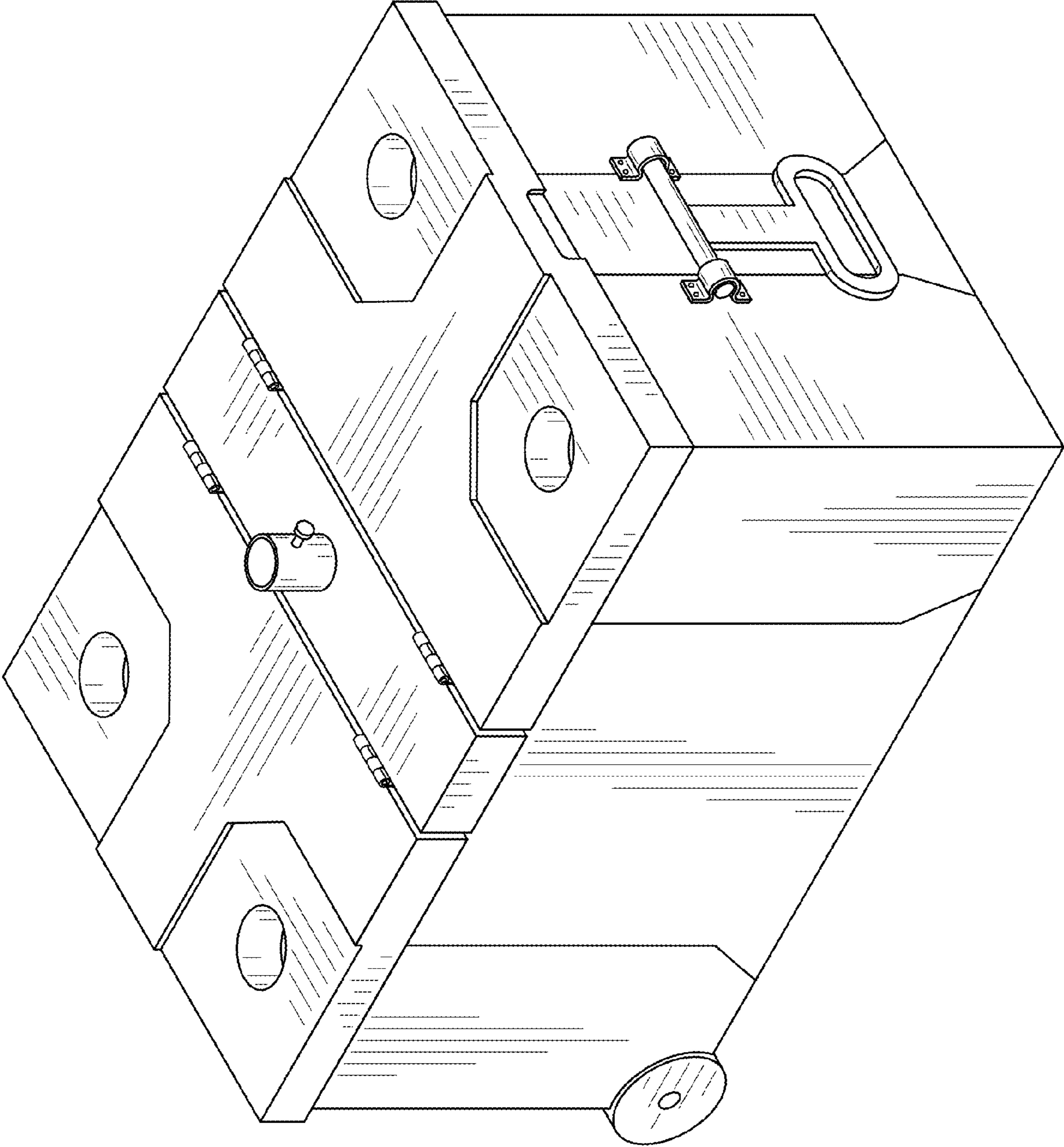


FIG. 1

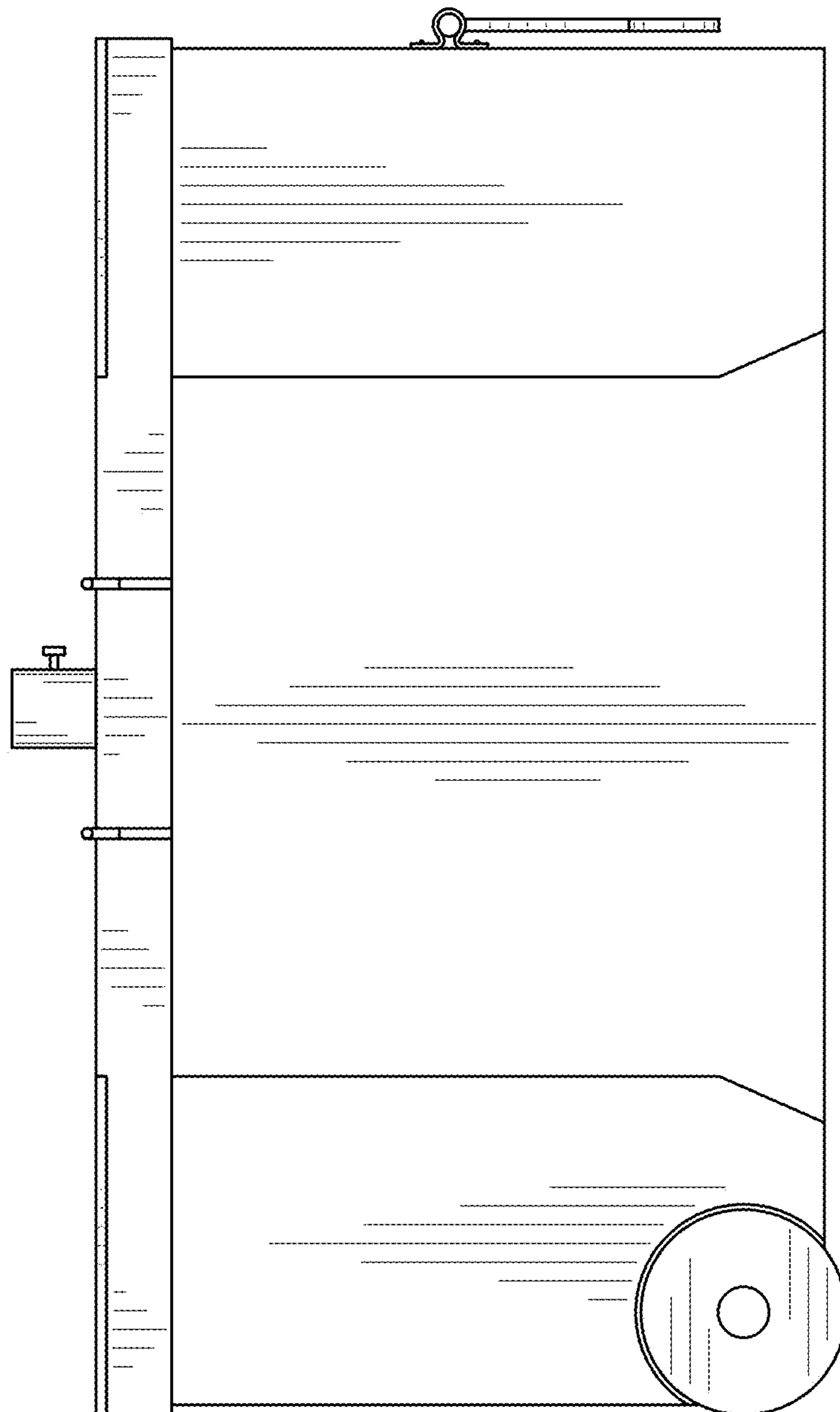


FIG. 2

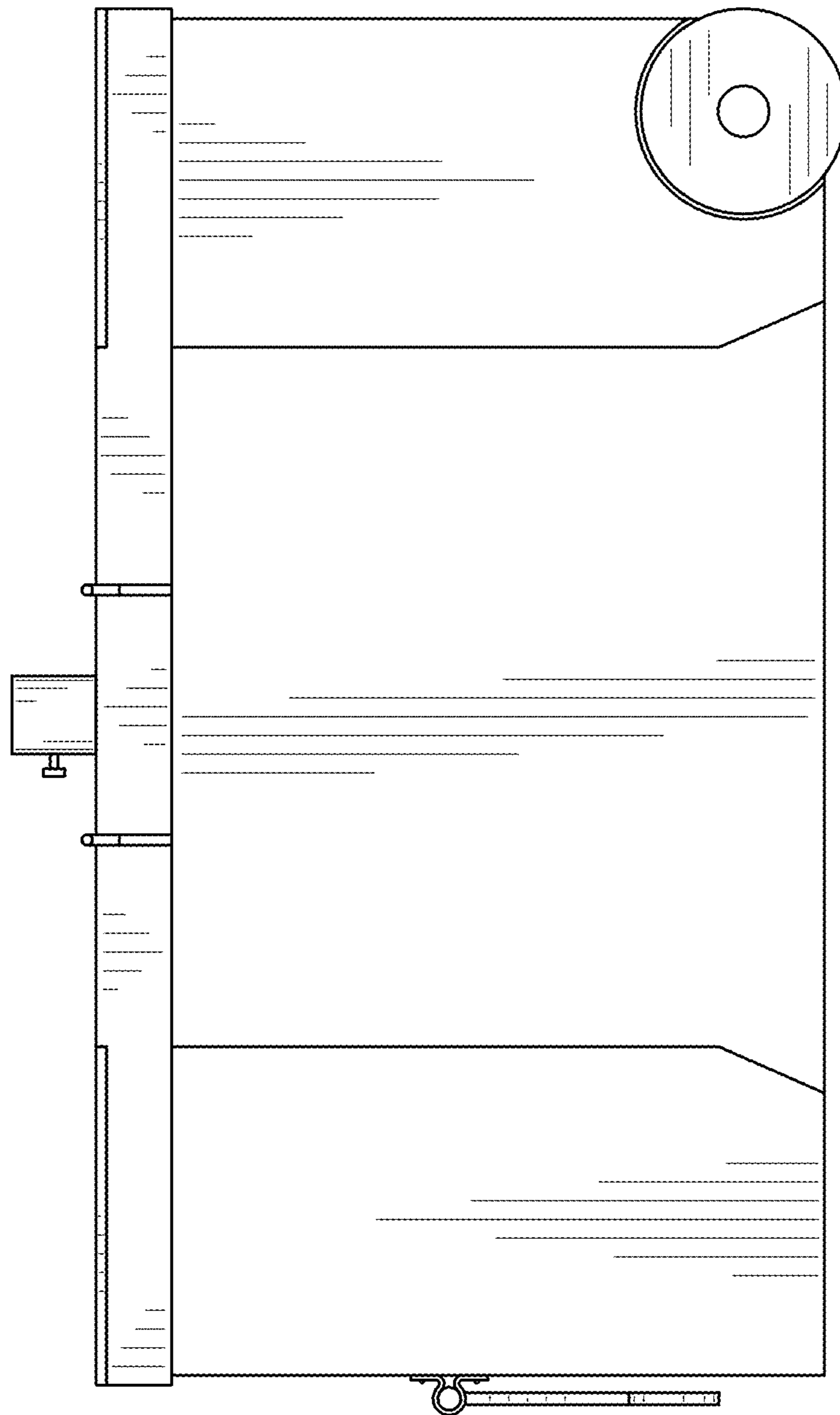


FIG. 3

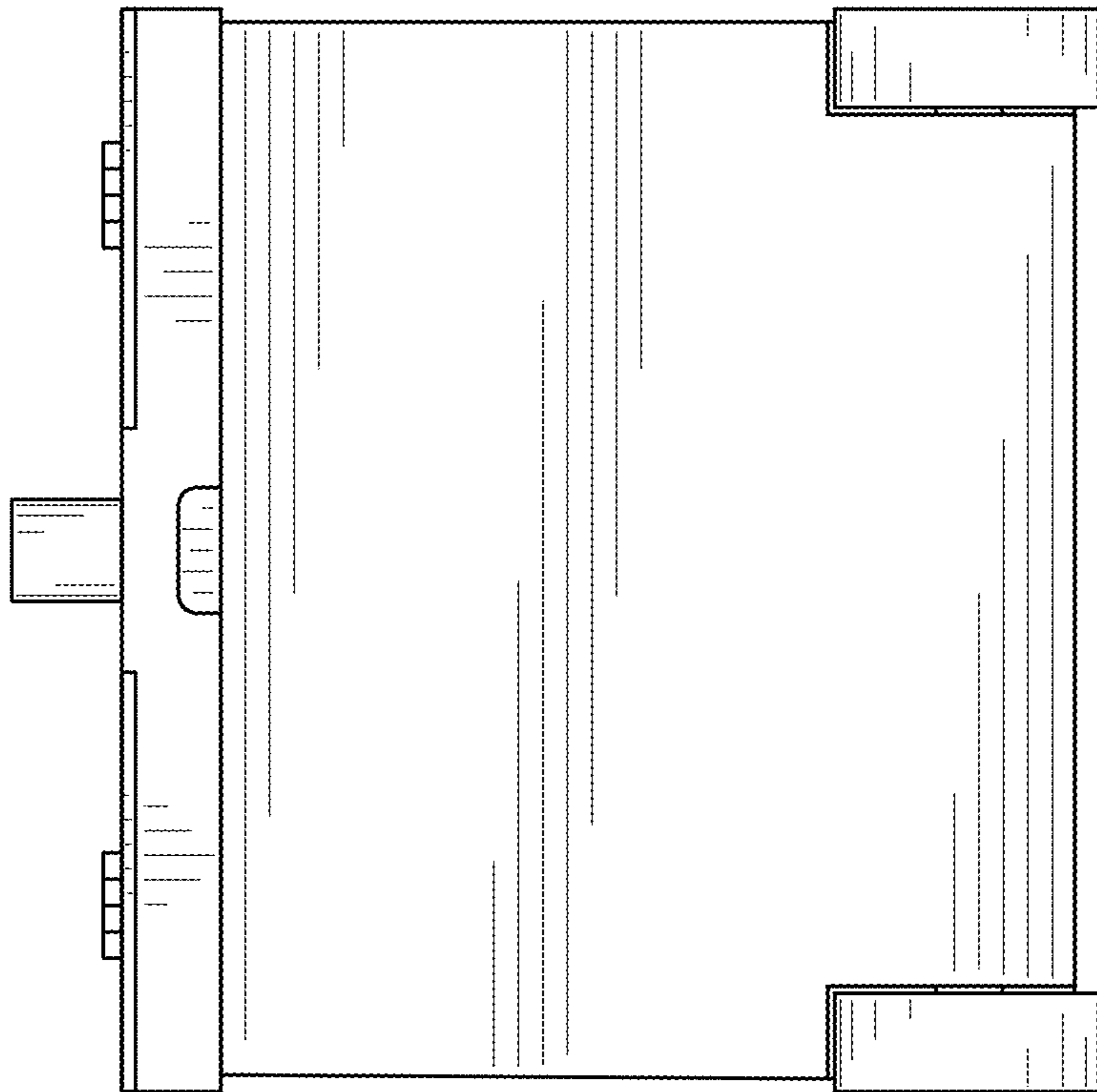


FIG. 5

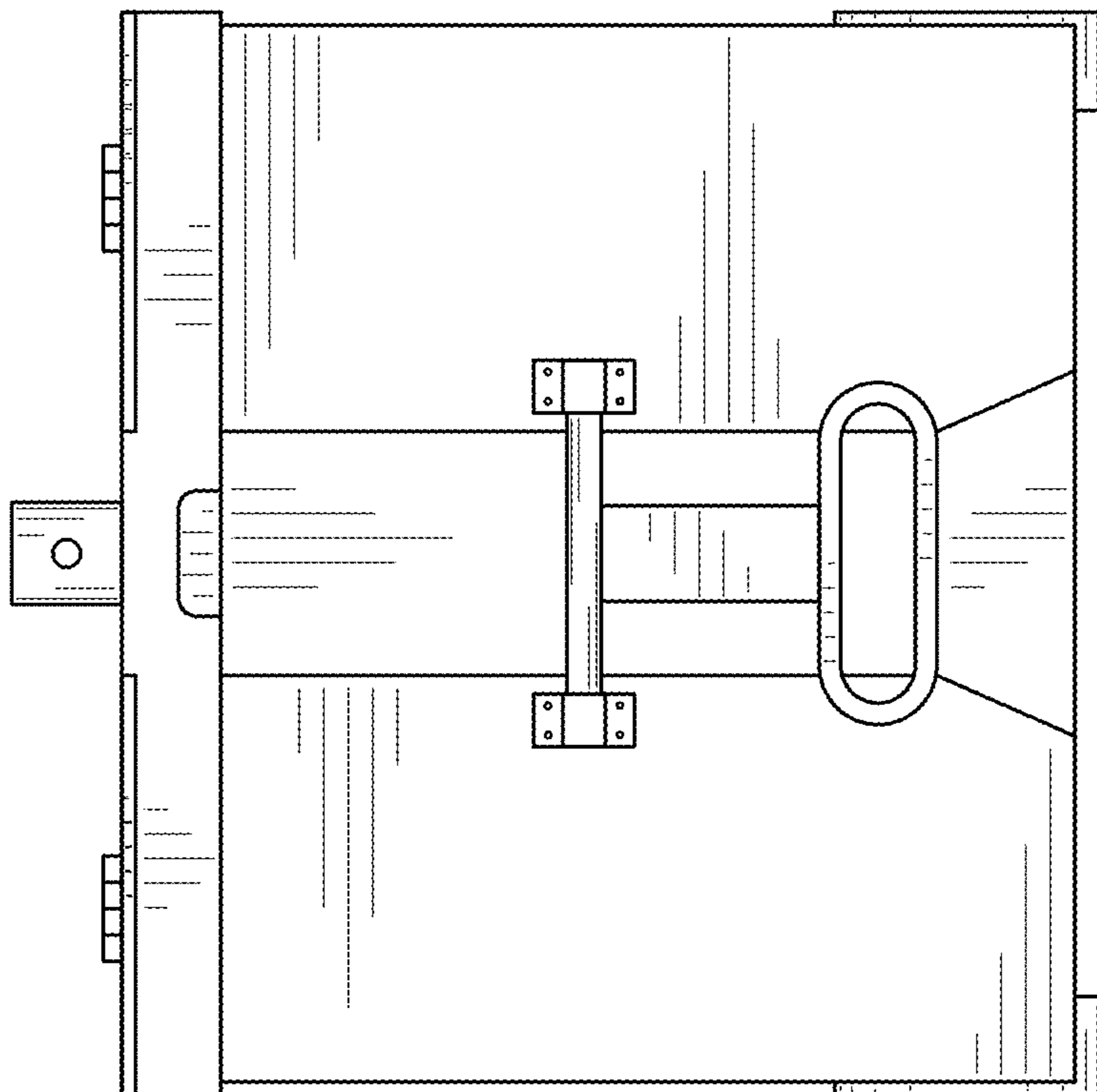


FIG. 4

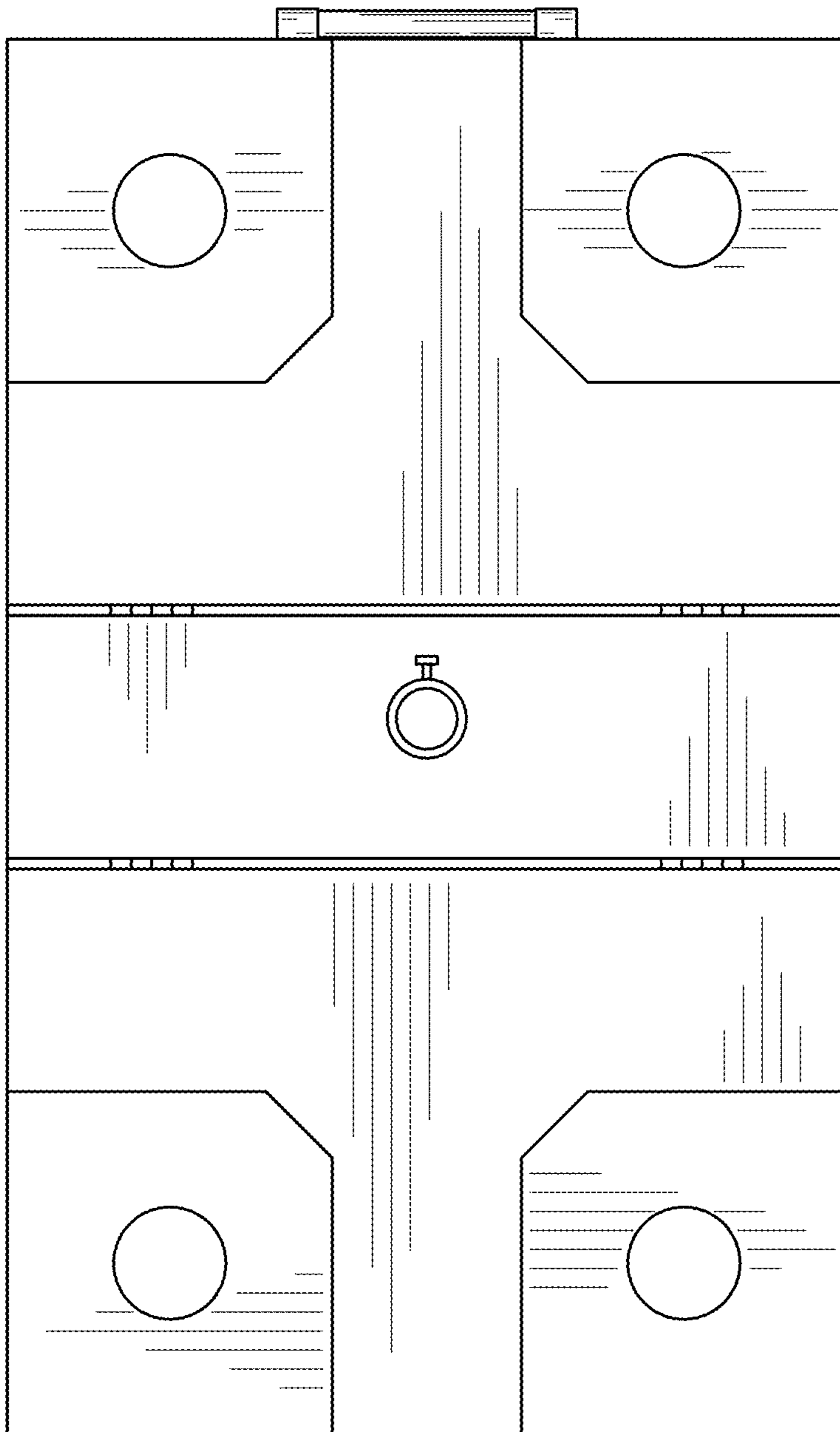


FIG. 6

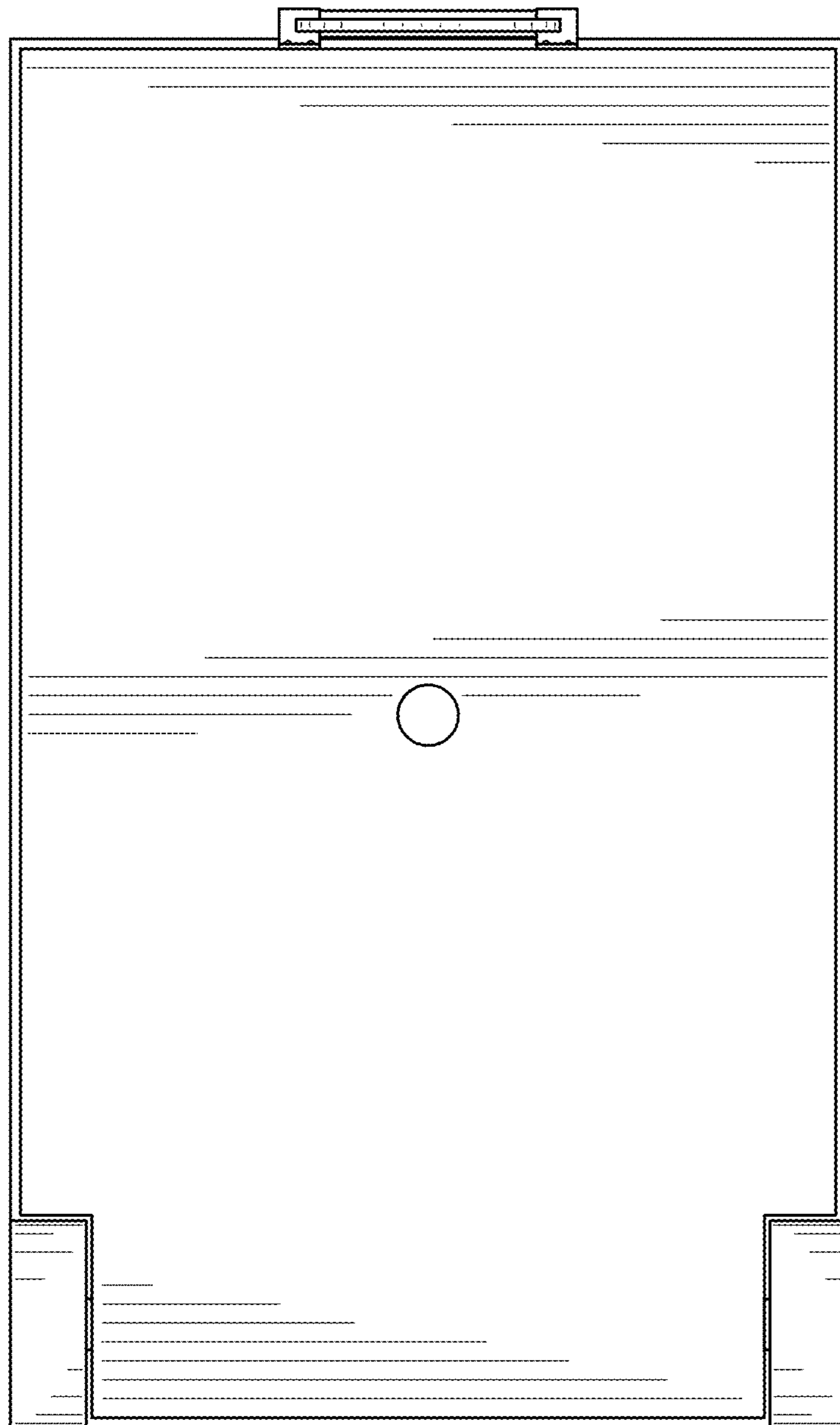


FIG. 7

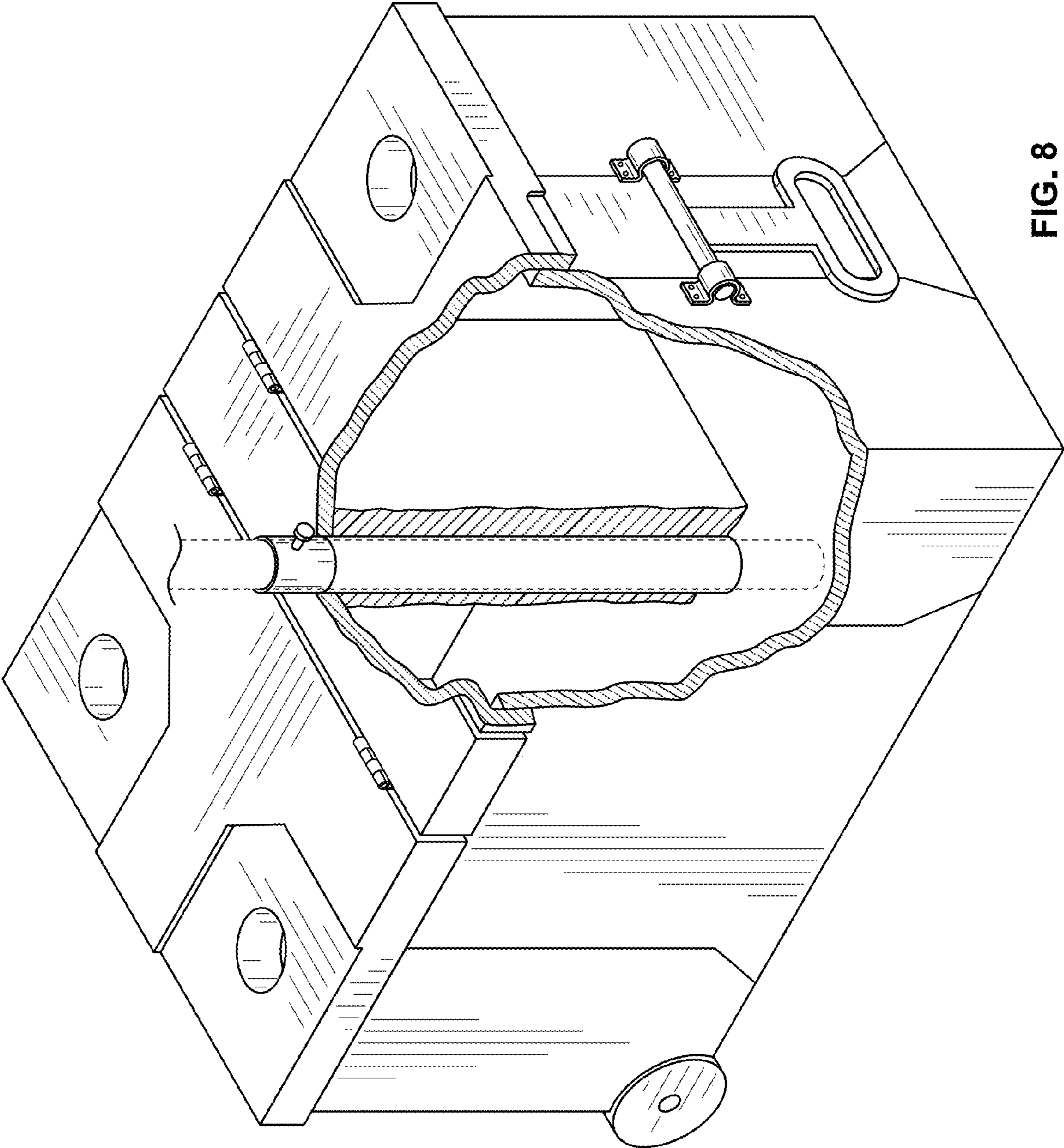


FIG. 8