



US00D884433S

(12) **United States Design Patent** (10) **Patent No.:** **US D884,433 S**
Merlino (45) **Date of Patent:** **** May 19, 2020**

(54) **COOLER WITH UMBRELLA HOLDER**
 (71) Applicant: **Kevin Merlino**, Wyckoff, NJ (US)
 (72) Inventor: **Kevin Merlino**, Wyckoff, NJ (US)
 (**) Term: **15 Years**
 (21) Appl. No.: **29/672,364**
 (22) Filed: **Dec. 5, 2018**
 (51) **LOC (12) Cl.** **07-01**
 (52) **U.S. Cl.**
 USPC **D7/605**
 (58) **Field of Classification Search**
 USPC D7/605-607, 629, 630; D3/272-274
 CPC .. A45C 11/20; A45C 5/14; A45C 5/03; A45C
 9/00; A47B 77/08; A47J 41/022; A47G
 19/2288; F25B 19/00; B62B 3/003; B62B
 1/12; B65D 81/3823; B65D 81/3858;
 B65D 81/3813; B65D 81/3888; B65D
 81/3816; B65D 81/3827; B65D 1/40;
 F25D 3/08; F25D 3/12; F25D 3/14; F25D
 27/00; F25D 2331/804; F25D 2400/08;
 F25D 2400/22; F25D 31/005; F25D
 25/02; F25D 21/14; F25D 2303/081;
 F25D 2302/804; F25D 23/12; B67D
 3/0067; A63B 71/023; A45B 23/00; A45B
 3/00
 See application file for complete search history.

(56) **References Cited**
 U.S. PATENT DOCUMENTS
 6,554,012 B2 * 4/2003 Patarra A45B 3/00
 135/16
 D514,891 S * 2/2006 Garcia D7/605
 6,993,931 B1 * 2/2006 Hamilton A45B 23/00
 62/371

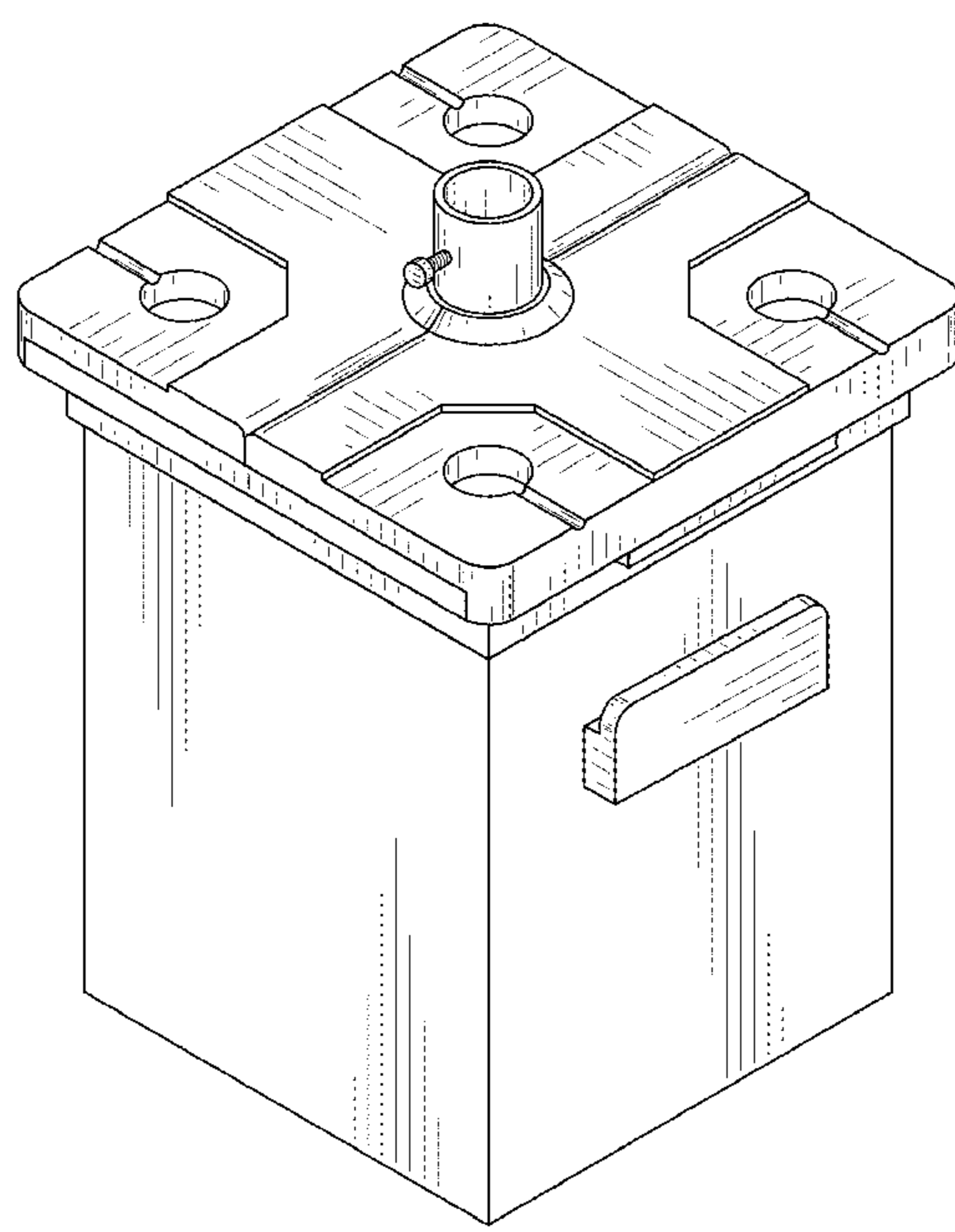
7,140,507 B2 * 11/2006 Maldonado A45C 11/20
 220/592.2
 7,143,601 B1 * 12/2006 Jimenez F25D 23/12
 62/457.7
 D674,245 S * 1/2013 Williams, Jr. D7/605
 9,150,235 B2 * 10/2015 Galante B62B 1/12
 2002/0095947 A1 * 7/2002 Treppedi A45C 11/20
 62/457.9
 2004/0178208 A1 * 9/2004 Leba F25D 3/08
 220/761
 2011/0056233 A1 * 3/2011 Flaker A63B 71/023
 62/457.7
 2015/0375918 A1 * 12/2015 Holderness B67D 3/0067
 222/566
 2016/0187046 A1 * 6/2016 Chen A45C 11/20
 62/239

* cited by examiner
Primary Examiner — Terry A Wallace
 (74) *Attorney, Agent, or Firm* — Scott H. Kaliko, Esq.;
 Kaliko & Associates, LLC

(57) **CLAIM**
 An ornamental design for cooler with umbrella holder, as
 shown and described.

DESCRIPTION
 FIG. 1 is a perspective view of a cooler with umbrella holder
 showing my new design.
 FIG. 2 is a front view thereof.
 FIG. 3 rear view thereof.
 FIG. 4 is a side view thereof.
 FIG. 5 is an opposite side view thereof.
 FIG. 6 is a top plan view thereof.
 FIG. 7 is a bottom plan view thereof; and,
 FIG. 8 is a perspective view thereof with a cutaway.

1 Claim, 8 Drawing Sheets



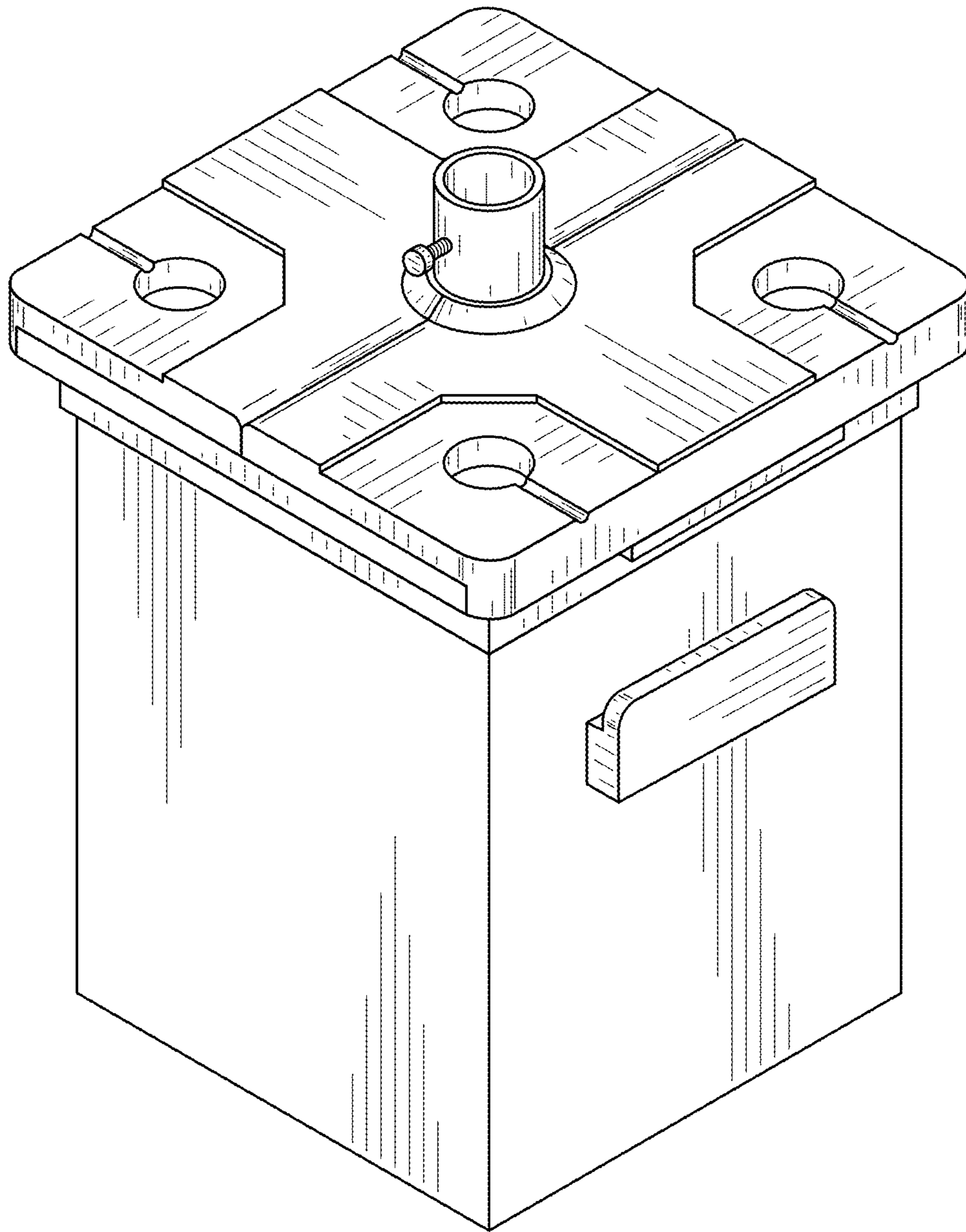


FIG. 1

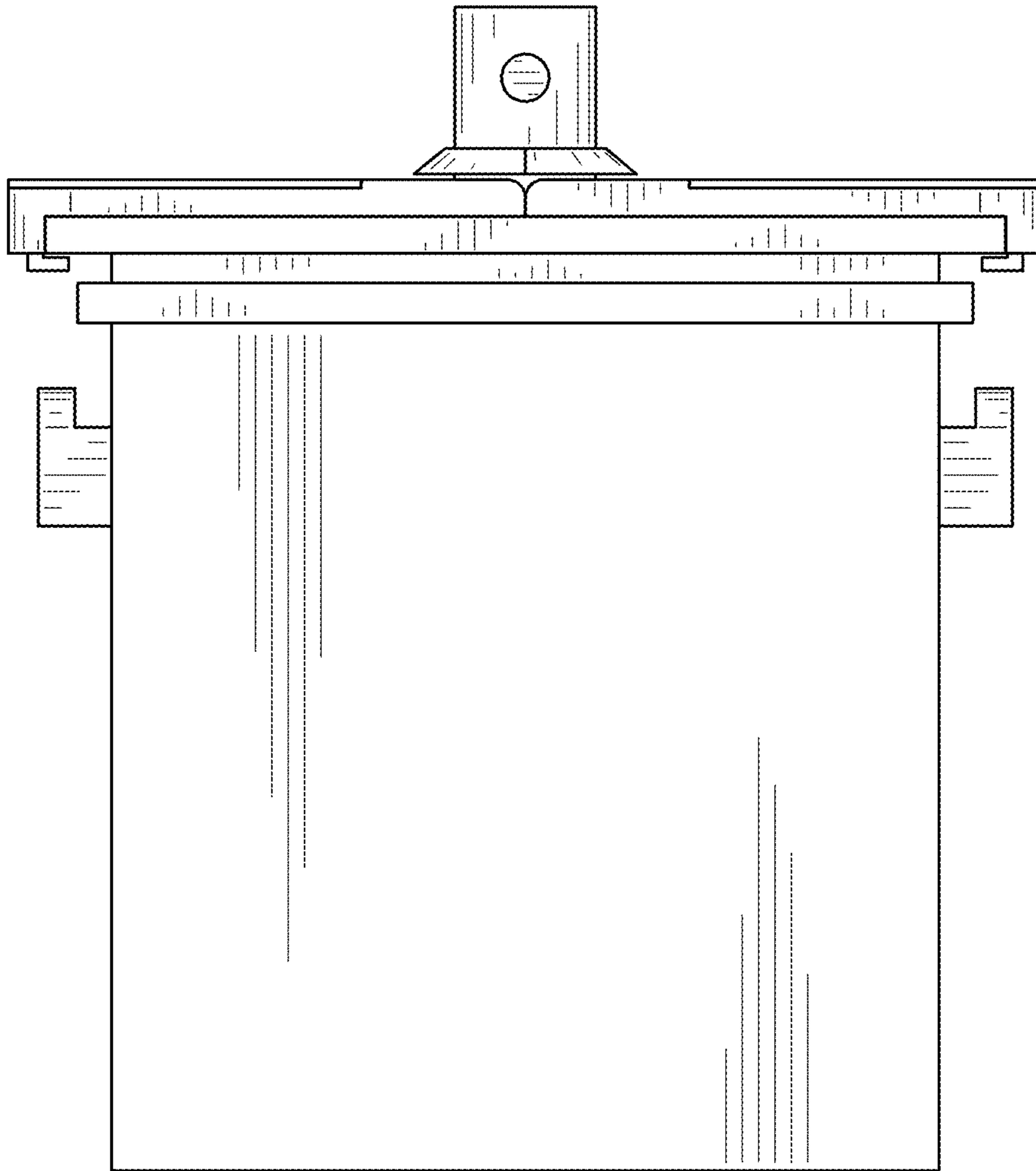


FIG. 2

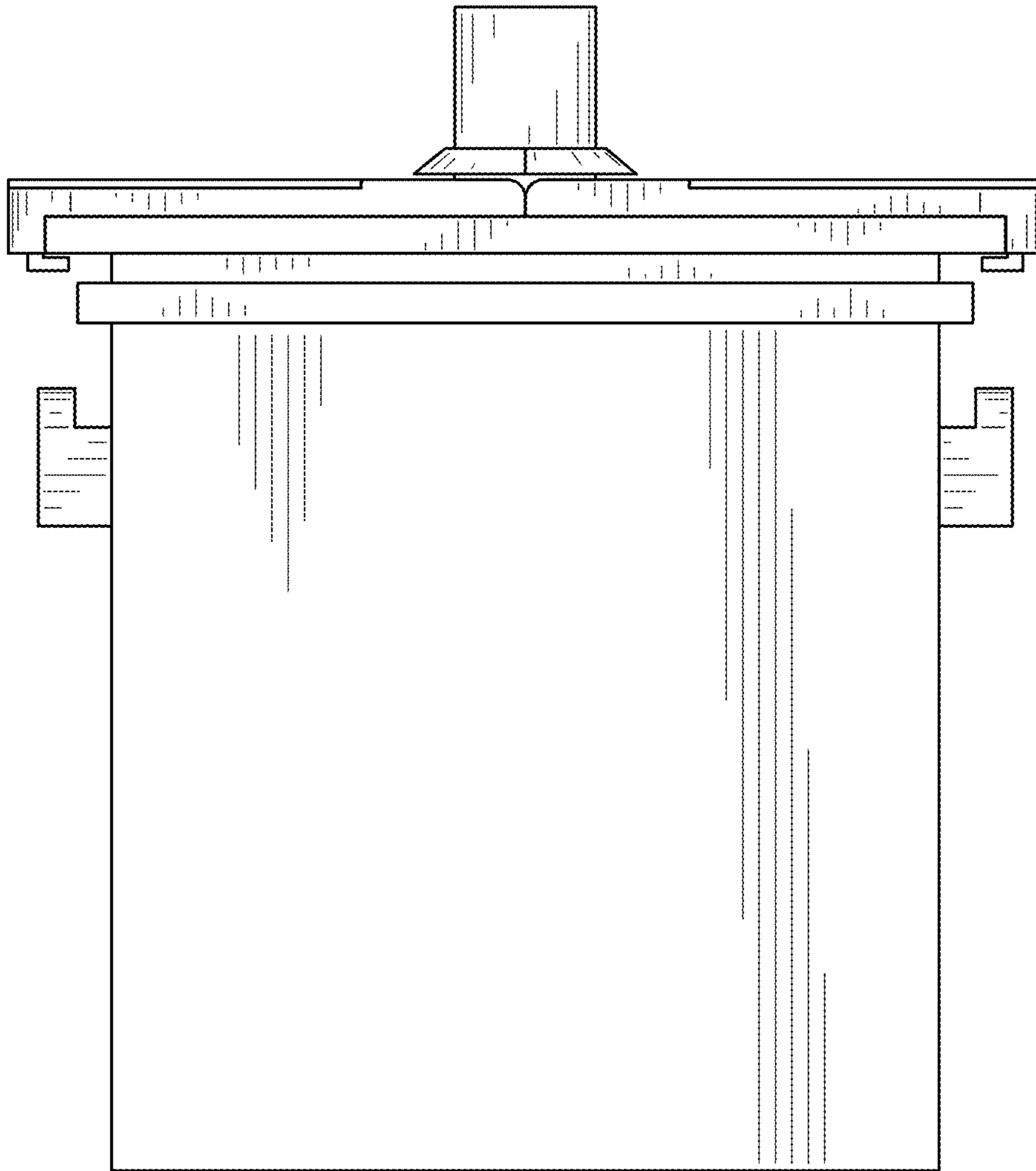


FIG. 3

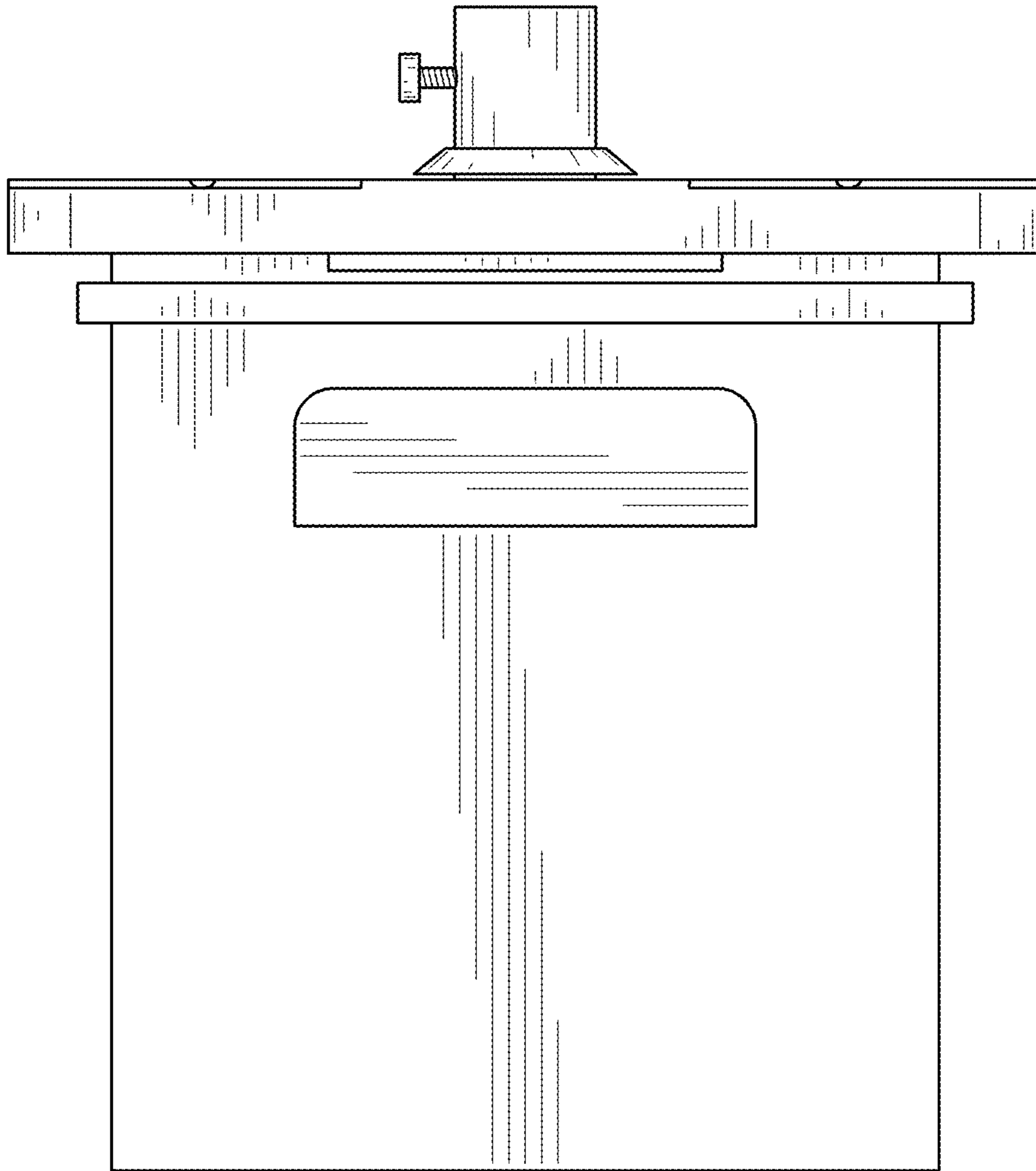


FIG. 4

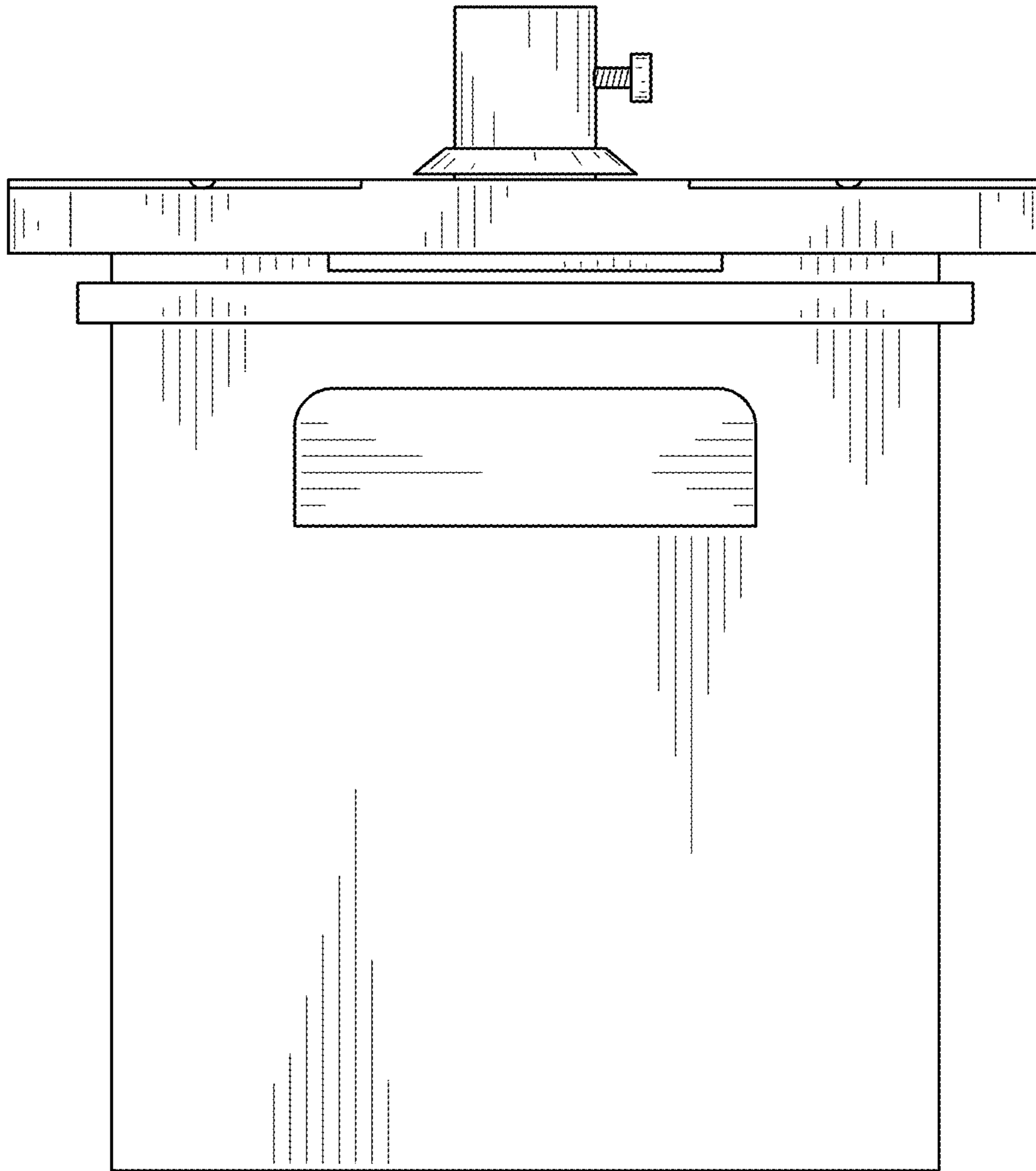


FIG. 5

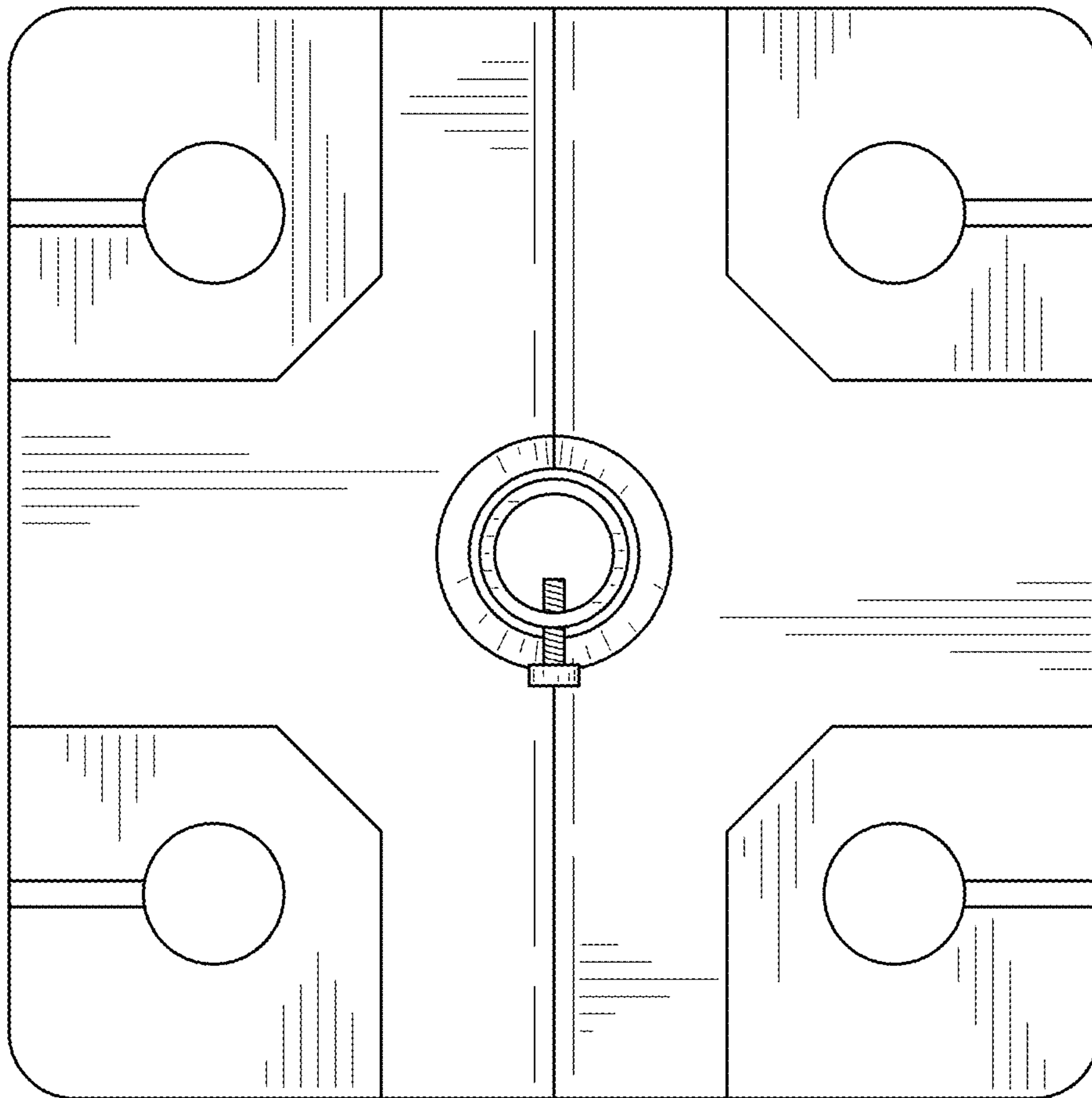


FIG. 6

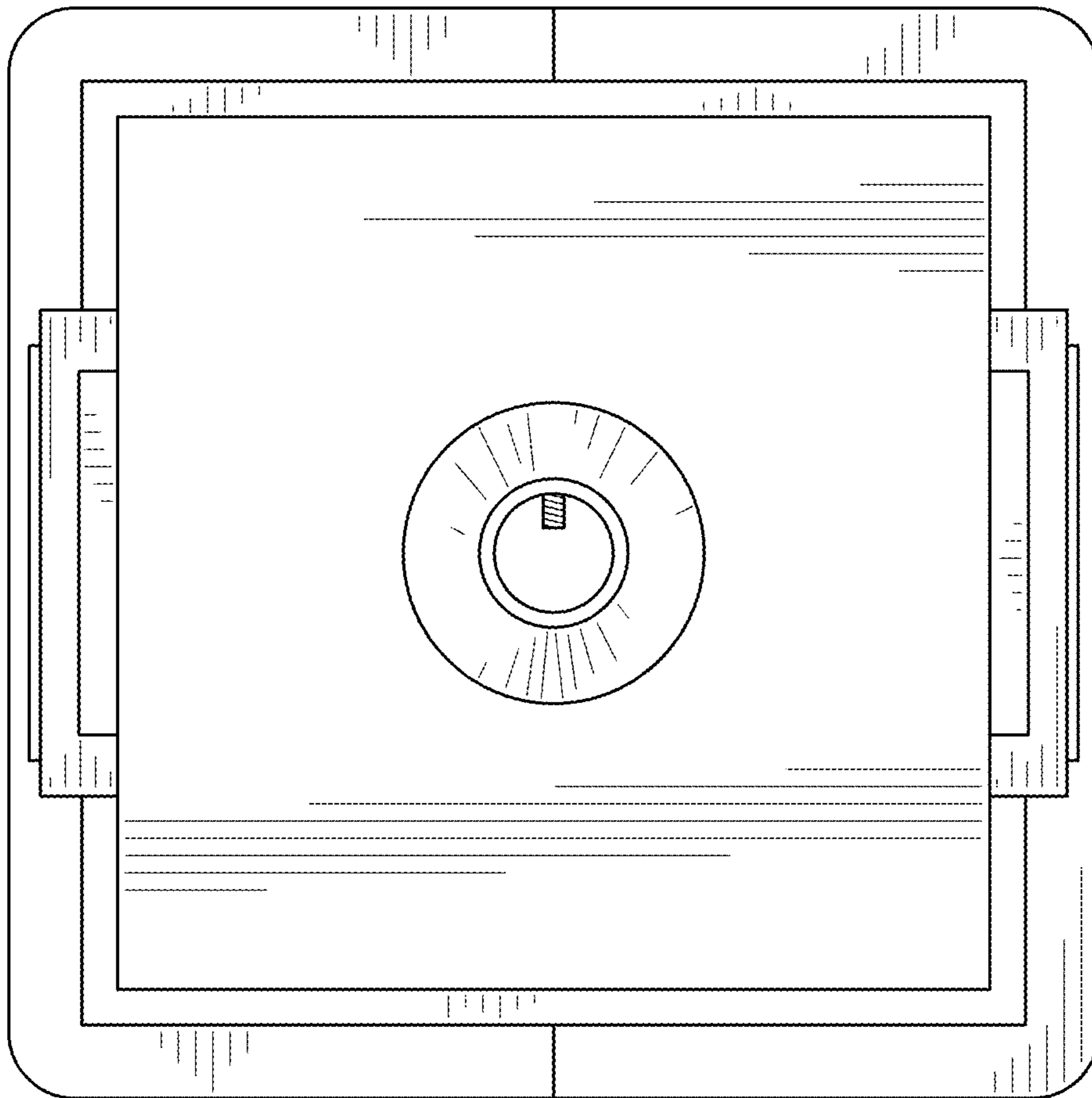


FIG. 7

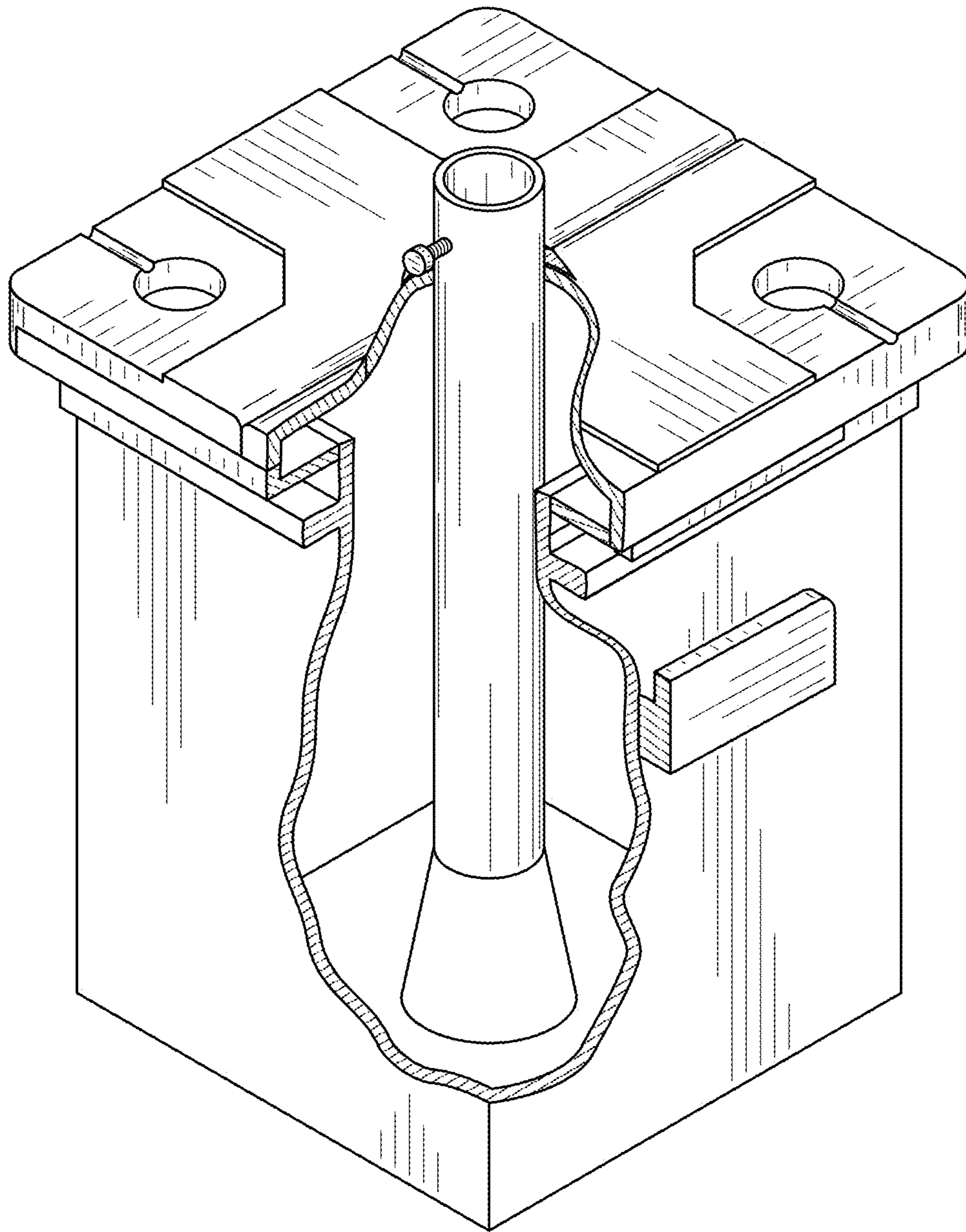


FIG. 8