



US00D884429S

(12) **United States Design Patent** (10) **Patent No.:** **US D884,429 S**
Trachtenberg (45) **Date of Patent:** **** May 19, 2020**

- (54) **COFFEE MUG**
- (71) Applicant: **Steven B. Trachtenberg**, Doylestown, PA (US)
- (72) Inventor: **Steven B. Trachtenberg**, Doylestown, PA (US)
- (**) Term: **15 Years**
- (21) Appl. No.: **29/634,048**
- (22) Filed: **Jan. 18, 2018**
- (51) **LOC (12) Cl.** **07-01**
- (52) **U.S. Cl.**
USPC **D7/536; D7/533**
- (58) **Field of Classification Search**
USPC D7/507, 509, 510, 511, 523, 528, 529, D7/530, 531, 397, 622, 533, 536, 500, D7/584, 624.1, 624.2; D9/523, 552, 542, D9/569, 530, 531, 570, 453, 439, 444, D9/452, 500, 686, 684, 688
CPC A47G 19/22; A47G 19/2272; A47G 19/2288; A47G 19/2205; B65D 1/265; B65D 47/066; A47J 41/028
See application file for complete search history.

- (56) **References Cited**
U.S. PATENT DOCUMENTS
6,446,830 B1 * 9/2002 Ocic A47G 19/2205 220/752
D519,785 S * 5/2006 Bodum D7/509
D531,512 S * 11/2006 Yu D9/531
D550,033 S * 9/2007 Bodum D7/509
D550,034 S * 9/2007 Bodum D7/509
D551,502 S * 9/2007 Bodum D7/509
D578,827 S * 10/2008 Barducci D7/507
D605,946 S * 12/2009 Manderfield, Jr. D9/531
D608,590 S * 1/2010 Geter D7/507
D620,764 S * 8/2010 Lessells D7/605
D653,113 S * 1/2012 Yourist D9/531

- D658,924 S * 5/2012 Sabadicci D7/312
- D673,428 S * 1/2013 Lessells D7/606
- D674,562 S * 1/2013 Hoysak D30/121
- D697,758 S * 1/2014 Chiriga D7/507
- D726,018 S * 4/2015 Archer D9/446
- D745,799 S * 12/2015 Lipson D7/300
- 9,457,934 B1 * 10/2016 Kirkpatrick A47G 19/2266
- D778,661 S * 2/2017 Vazin D7/306
- D793,164 S * 8/2017 Charlton D7/510
- D800,510 S * 10/2017 Lessells D7/625
- D801,126 S * 10/2017 Lessells D7/625
- D830,777 S * 10/2018 Meyers D7/536
- D834,360 S * 11/2018 Bueno Nunez D7/306
- D850,837 S * 6/2019 Bueno Nunez D7/306
- 2006/0255051 A1 * 11/2006 Adams A47G 19/2272 220/770

* cited by examiner

Primary Examiner — Jae Liang
(74) Attorney, Agent, or Firm — Caesar Rivise, PC

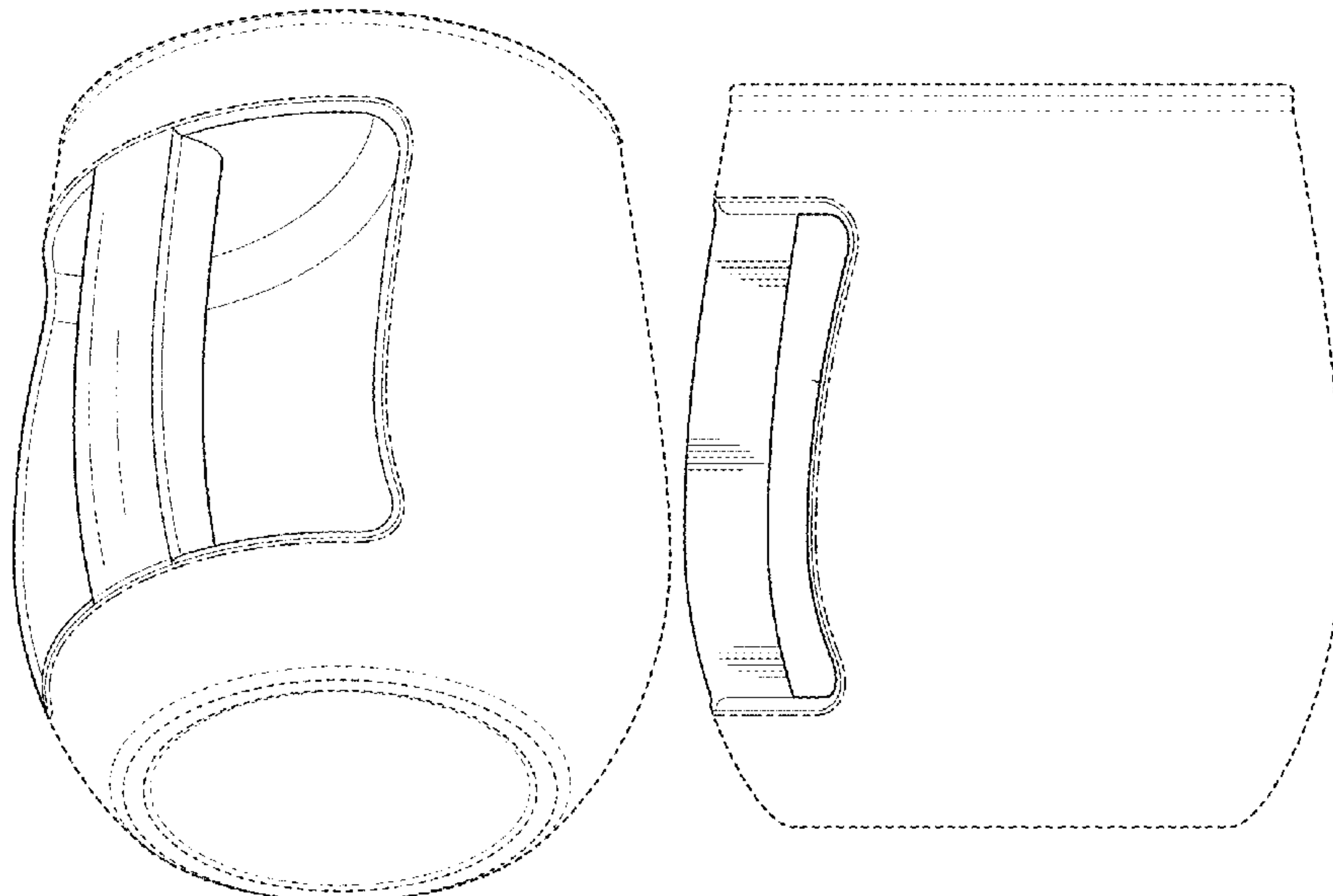
(57) **CLAIM**

The ornamental design for a coffee mug, as shown and described.

DESCRIPTION

FIG. 1 is a top front isometric view of a coffee mug showing my new design;
 FIG. 2 is a bottom rear isometric view thereof;
 FIG. 3 is a front elevation view thereof;
 FIG. 4 is a rear elevation view thereof;
 FIG. 5 is a right side elevation view thereof;
 FIG. 6 is a left side elevation view thereof;
 FIG. 7 is a top plan view thereof; and,
 FIG. 8 is a bottom plan view thereof.
 The features shown in broken lines in the drawing depict portions of the design that form no part of the claimed design. The dash-dot-dash lines in the drawings represent the bounds of the claim and form no part of the claimed design.

1 Claim, 5 Drawing Sheets



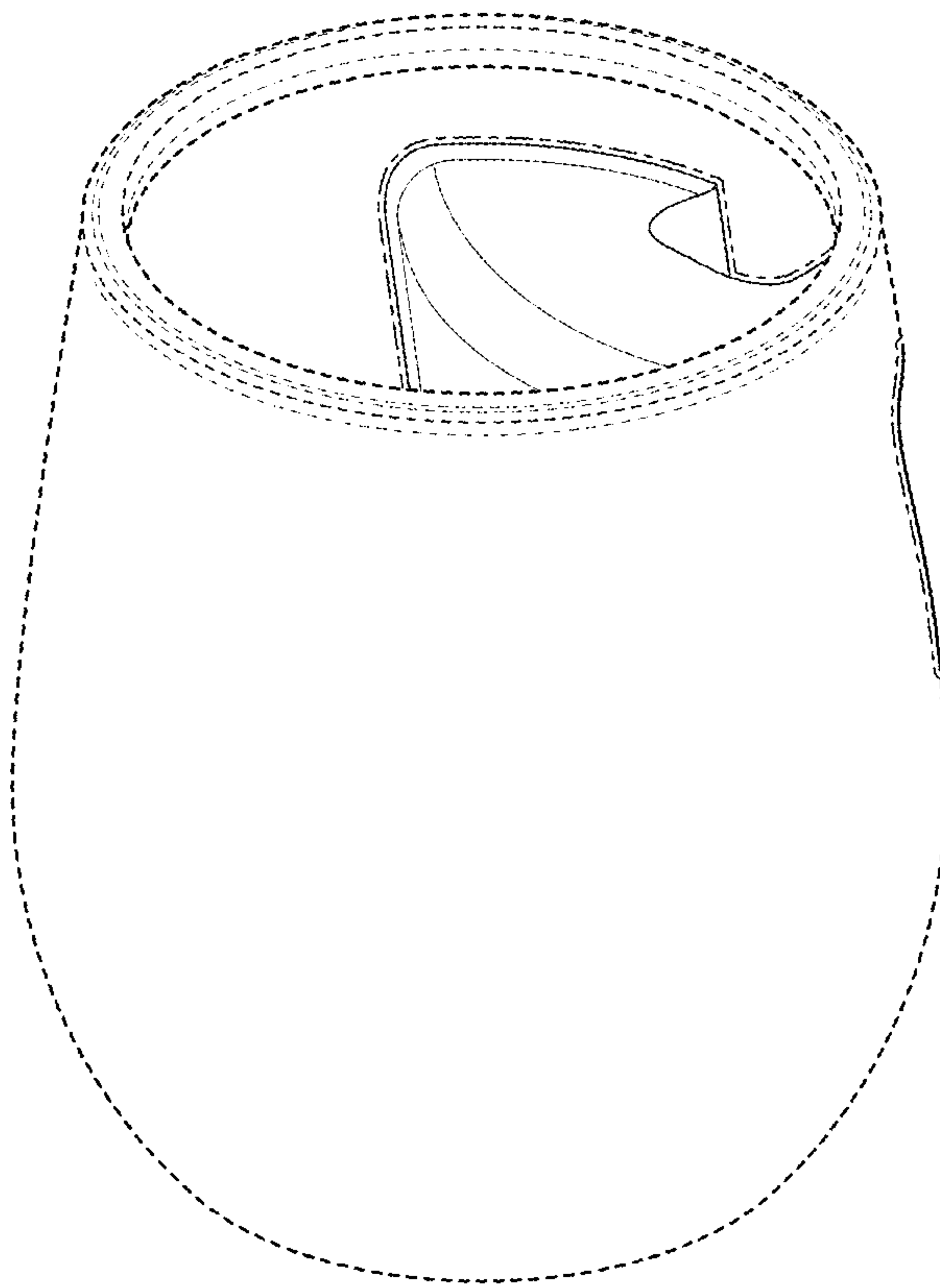


FIG. 1

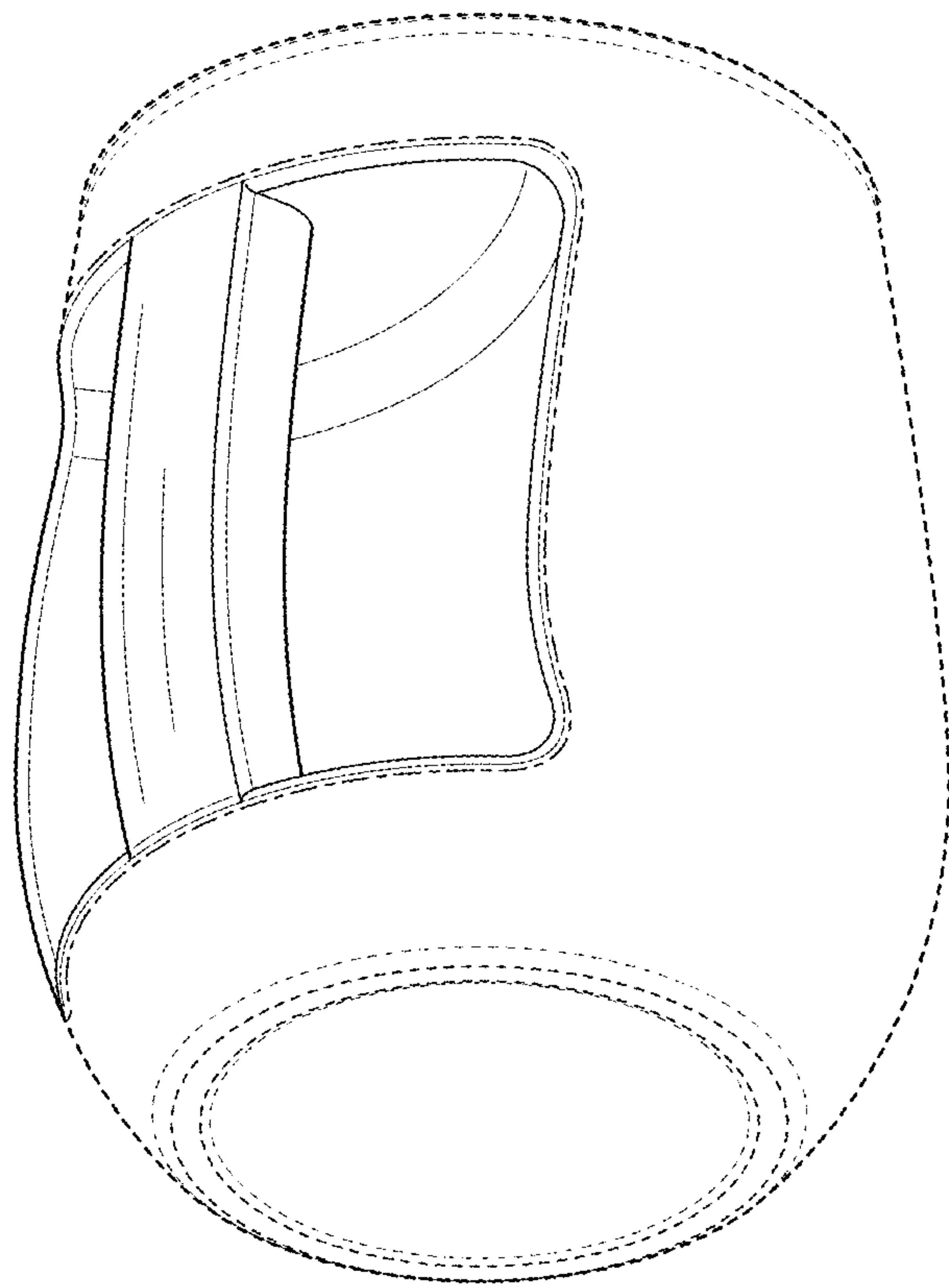


FIG. 2

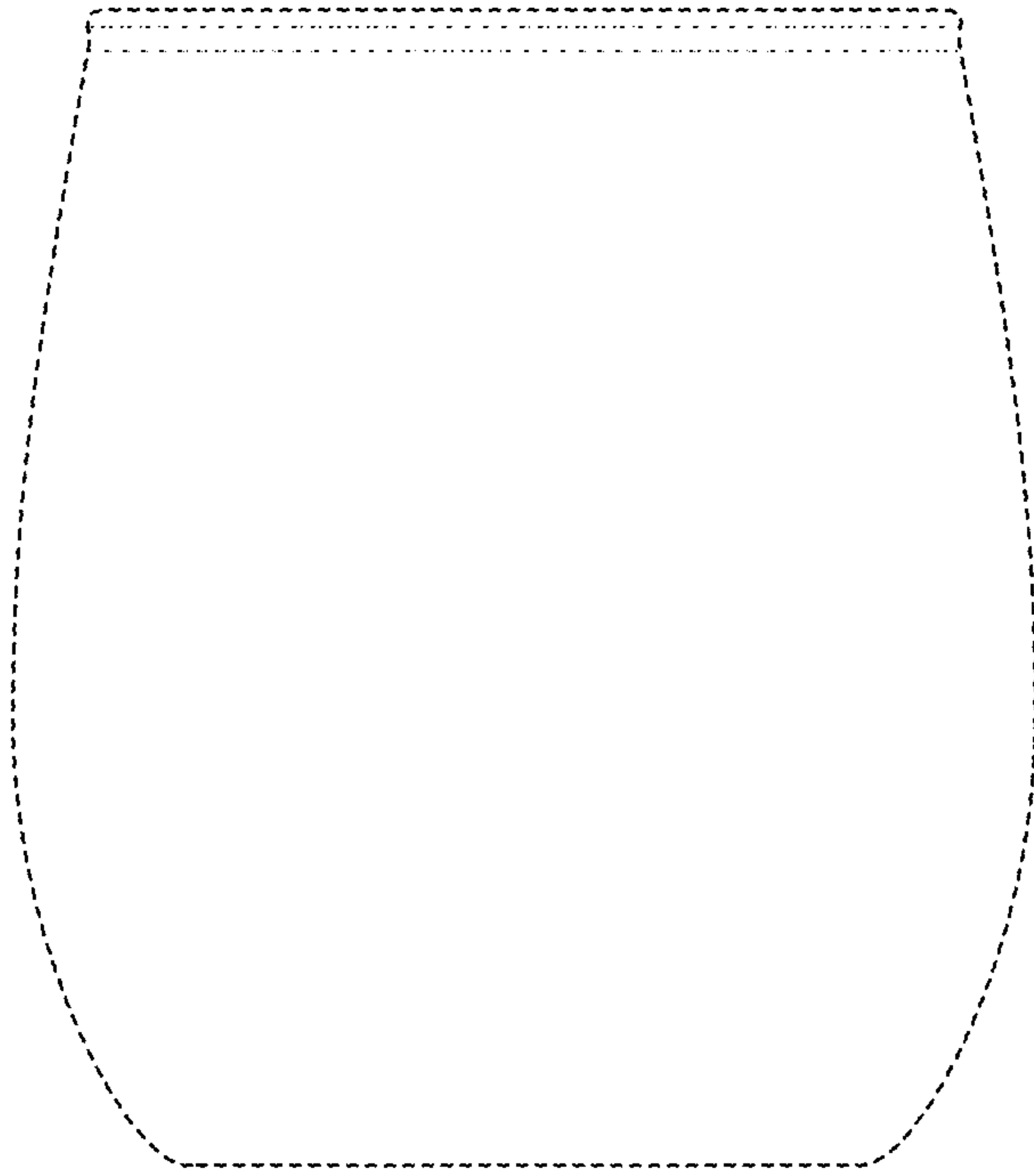


FIG. 3

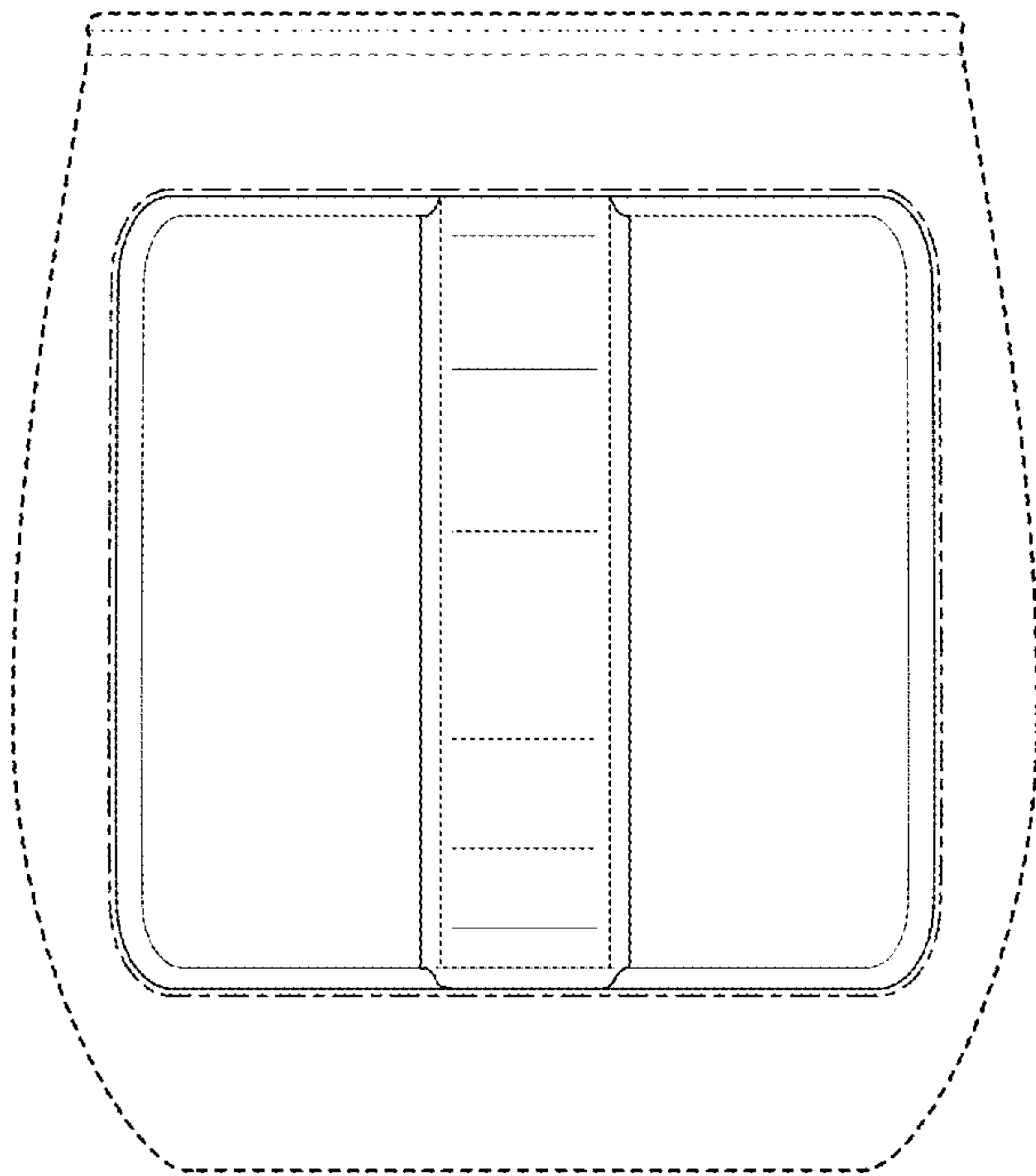


FIG. 4

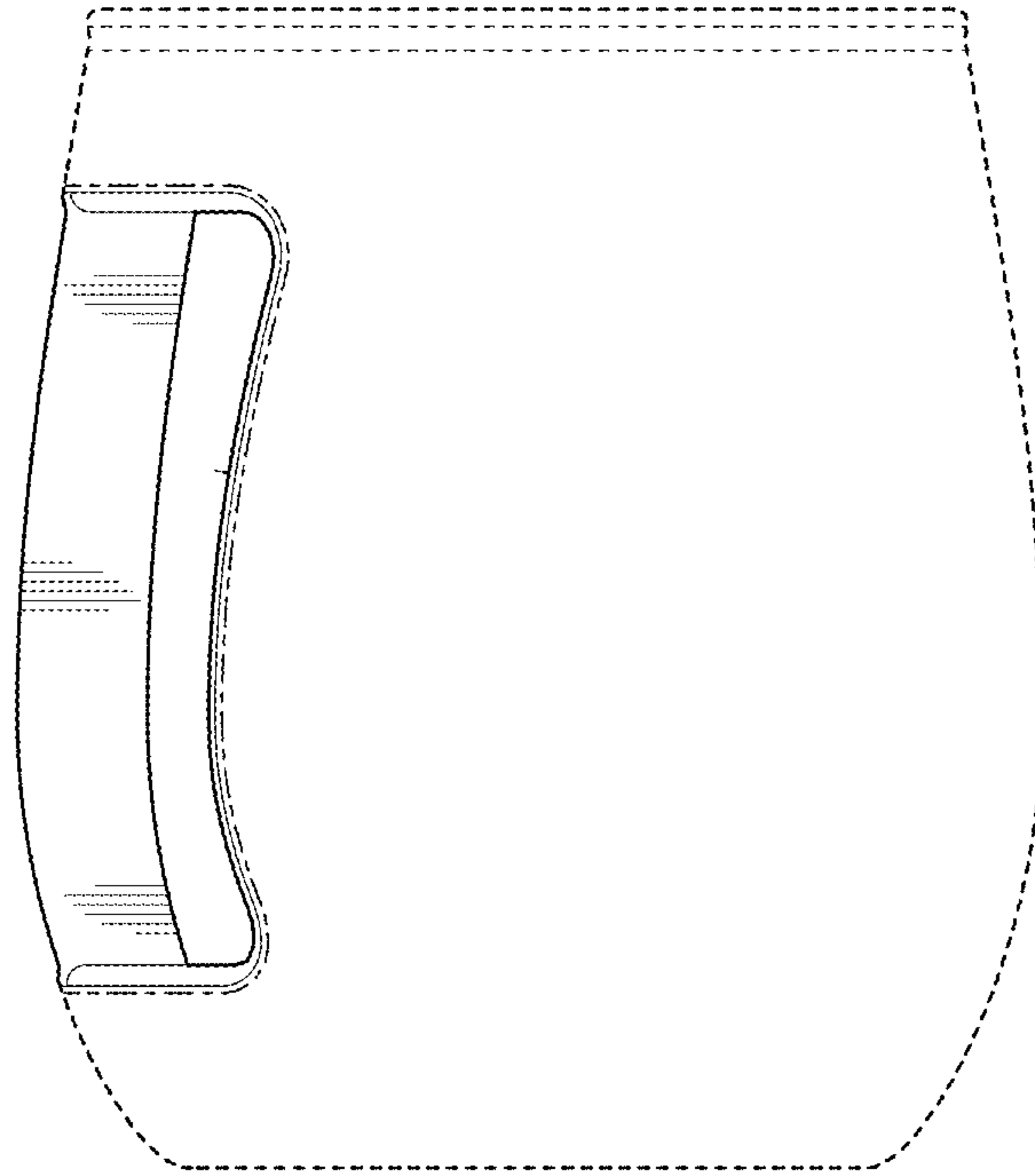


FIG. 5

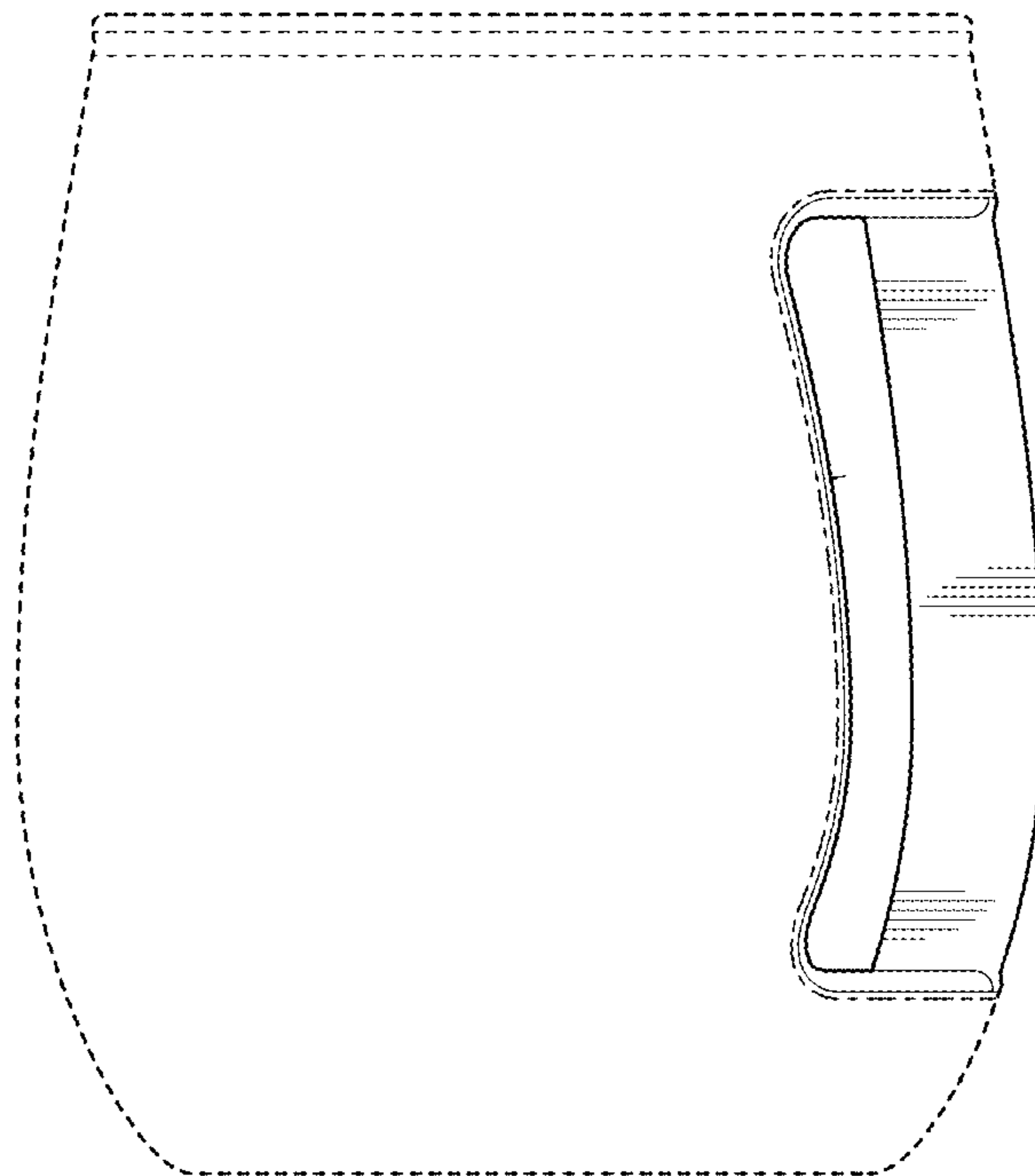


FIG. 6

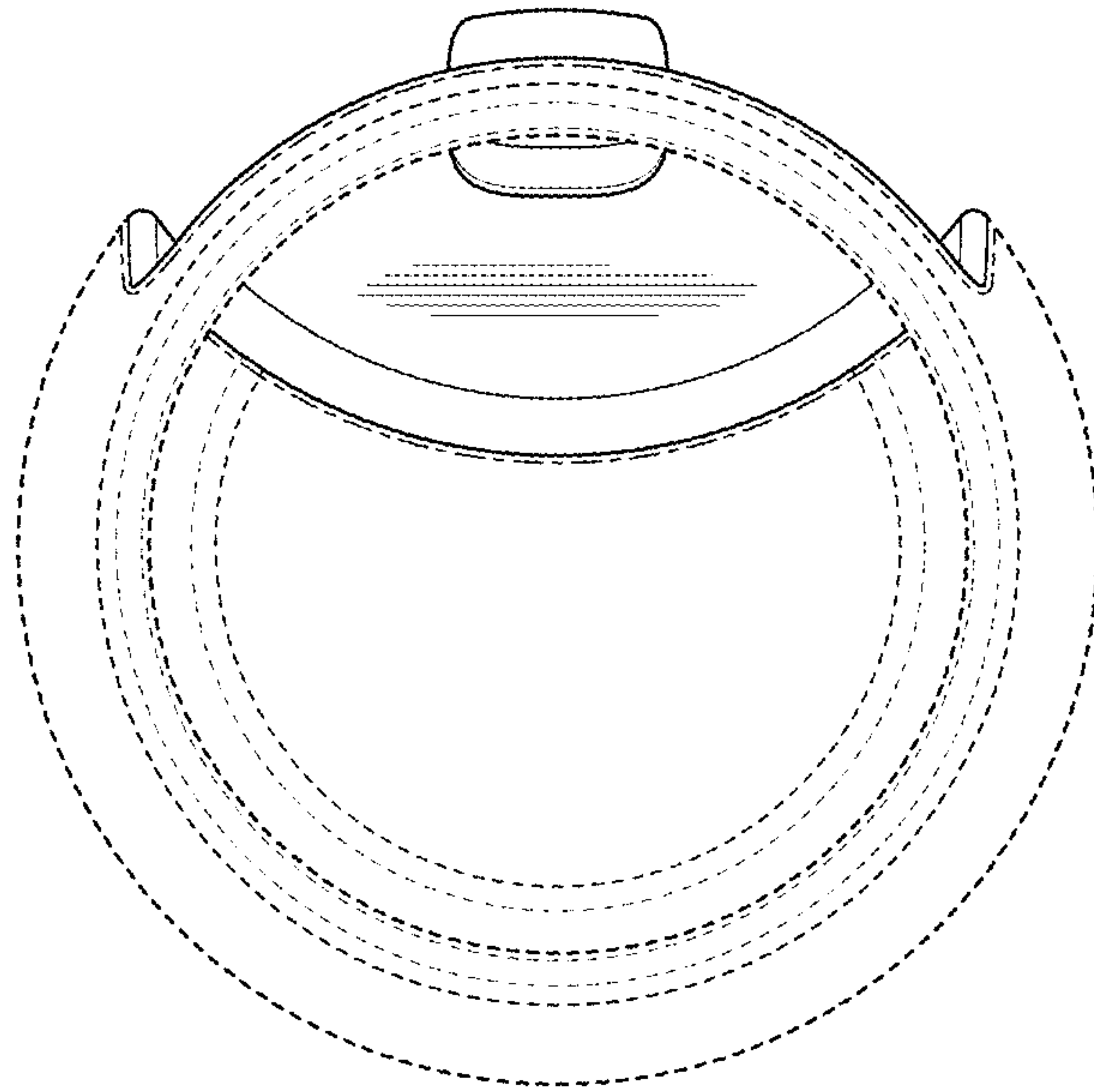


FIG. 7

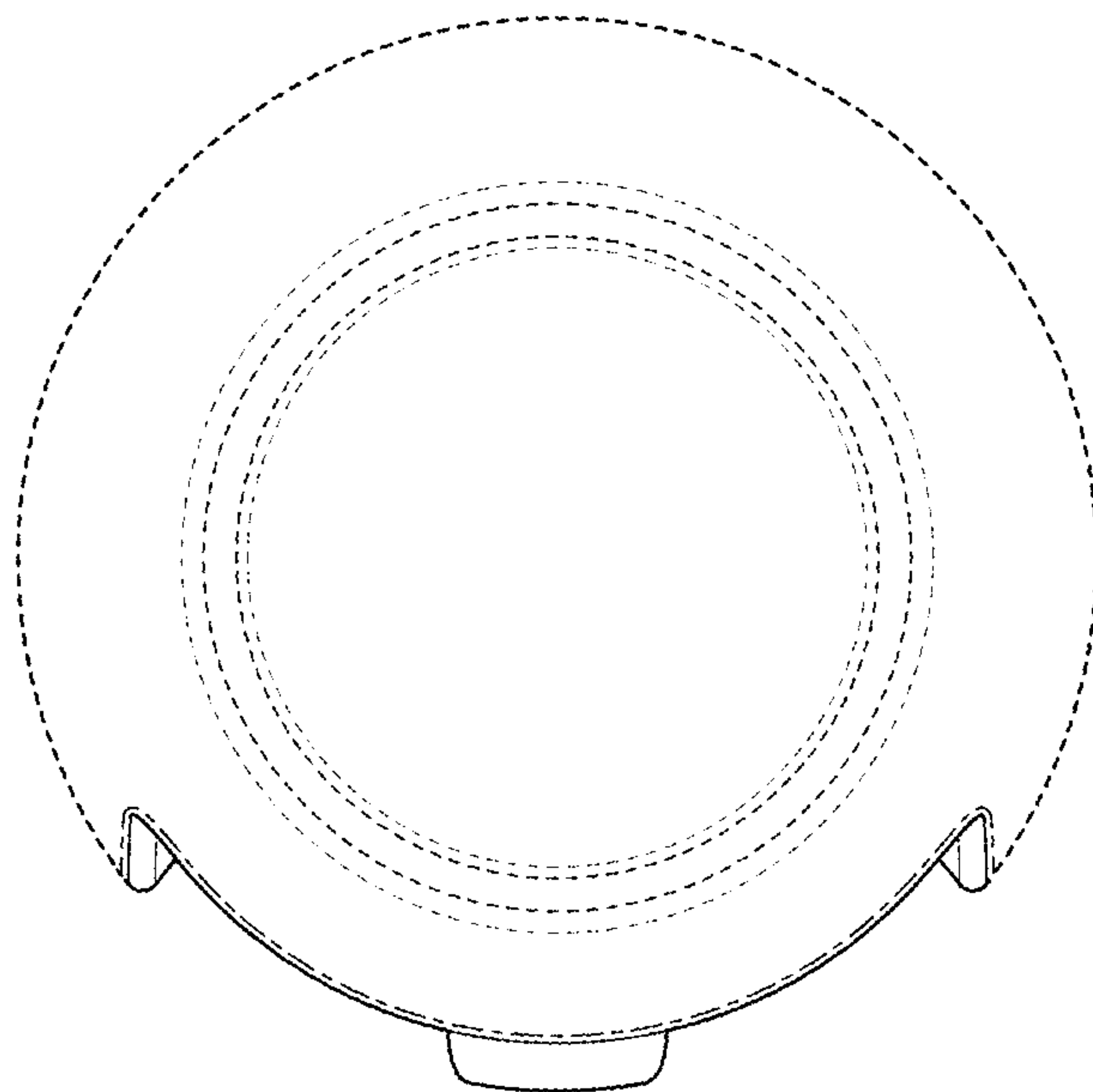


FIG. 8