



US00D884427S

(12) **United States Design Patent** (10) **Patent No.:** **US D884,427 S**
Hendifar et al. (45) **Date of Patent:** **** May 19, 2020**

(54) **VESSEL**
(71) Applicant: **APPARATUS, LLC**, New York, NY (US)
(72) Inventors: **Gabriel Hendifar**, Rhinebeck, NY (US); **Jeremy R. Anderson**, New York, NY (US)
(73) Assignee: **APPARATUS LLC**, New York, NY (US)
(**) Term: **15 Years**

D171,671 S * 3/1954 Uhrmann D7/524
D229,545 S * 12/1973 Uhlig D9/520
D240,829 S * 8/1976 Jones D9/689
D256,333 S * 8/1980 Campbell D9/520
D318,614 S * 7/1991 Sheridan D9/519
D319,583 S * 9/1991 Halm D23/366
D370,122 S * 5/1996 Caldwell D3/271.2
D375,461 S * 11/1996 Kang D9/520
D440,466 S * 4/2001 Lillelund D7/523
D541,108 S * 4/2007 Wang D7/509
D796,904 S * 9/2017 Chu D7/509
D816,202 S * 4/2018 Zuo D23/366
D835,464 S * 12/2018 Domenech D7/523
D851,494 S * 6/2019 Linderman D9/630
D854,417 S * 7/2019 Harris D9/516
D860,720 S * 9/2019 Gallagher D7/397

(21) Appl. No.: **29/639,184**
(22) Filed: **Mar. 5, 2018**
(51) **LOC (12) Cl.** **07-01**
(52) **U.S. Cl.**
USPC **D7/523; D7/509; D7/396.6**
(58) **Field of Classification Search**
USPC D7/524, 525, 526, 527, 528, 529, 537,
D7/507, 509, 510, 511, 512, 532, 523,
D7/396.2, 392.1, 530, 531, 396.6;
D11/152, 153; D9/651, 550, 553
CPC A47G 19/22; A47G 19/2288; A47G
19/2205; A47G 19/2216; A47G 19/2227;
A47G 19/2266; A47J 41/02; A45F 3/16;
A45F 3/20
See application file for complete search history.

* cited by examiner

Primary Examiner — Jae Liang
(74) *Attorney, Agent, or Firm* — Gottlieb, Rackman & Reisman, P.C.

(56) **References Cited**

U.S. PATENT DOCUMENTS

D19,427 S * 11/1889 Smith D7/524
D94,364 S * 1/1935 Schneider D9/520
D100,579 S * 7/1936 Newton D7/523
D137,211 S * 2/1944 Uhrmann D7/524

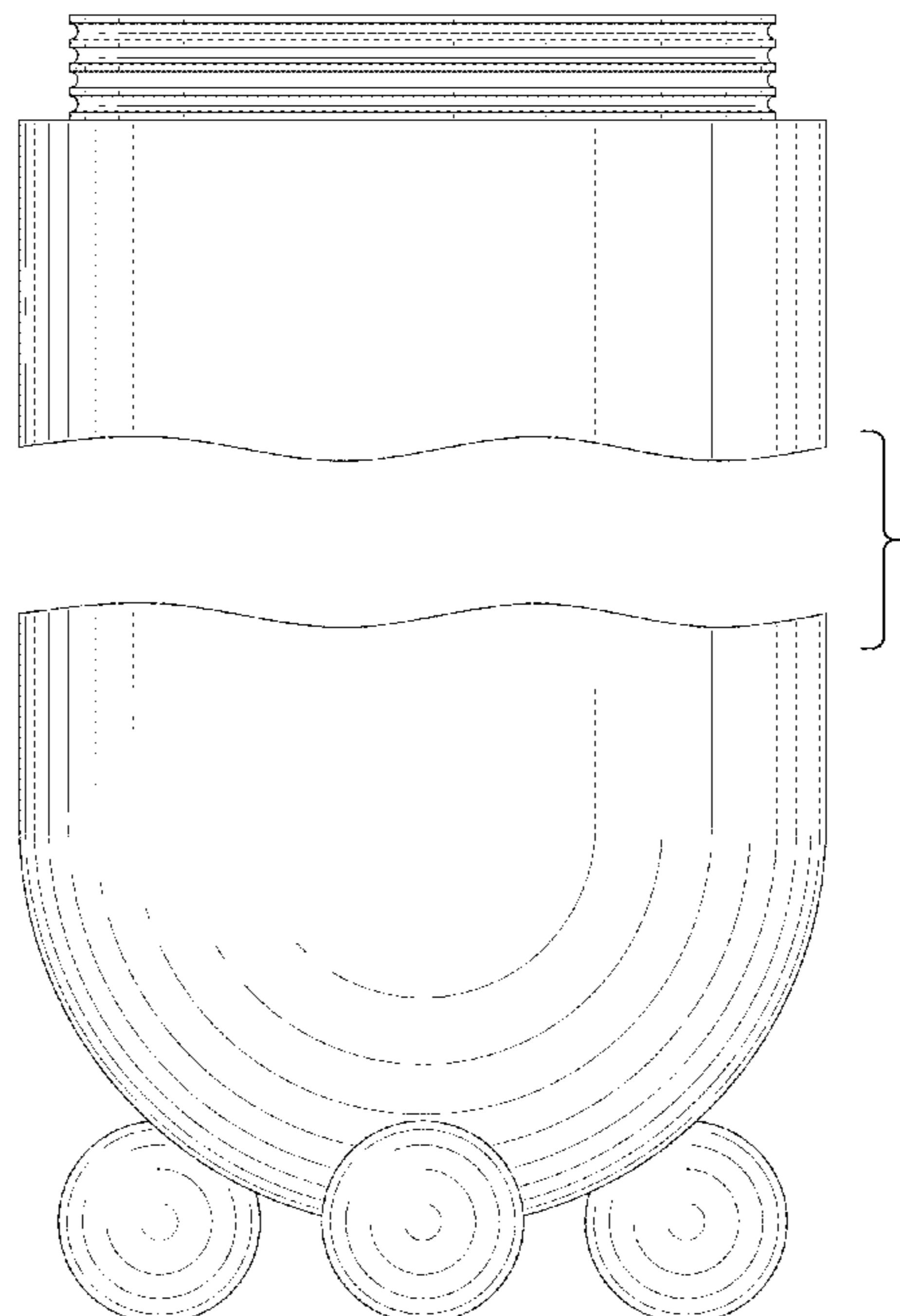
(57) **CLAIM**

The ornamental design for a vessel, as shown and described.

DESCRIPTION

FIG. 1 is a perspective view of a vessel showing our new design;
FIG. 2 is a front elevational view thereof;
FIG. 3 is a rear elevational view thereof;
FIG. 4 is a left side elevational view thereof;
FIG. 5 is a right side elevational view thereof;
FIG. 6 is a top plan view thereof; and,
FIG. 7 is a bottom plan view thereof.
The vessel is shown with a symbolic break in its length. The appearance of any portion of the article between the break lines forms no part of the claimed design.

1 Claim, 7 Drawing Sheets



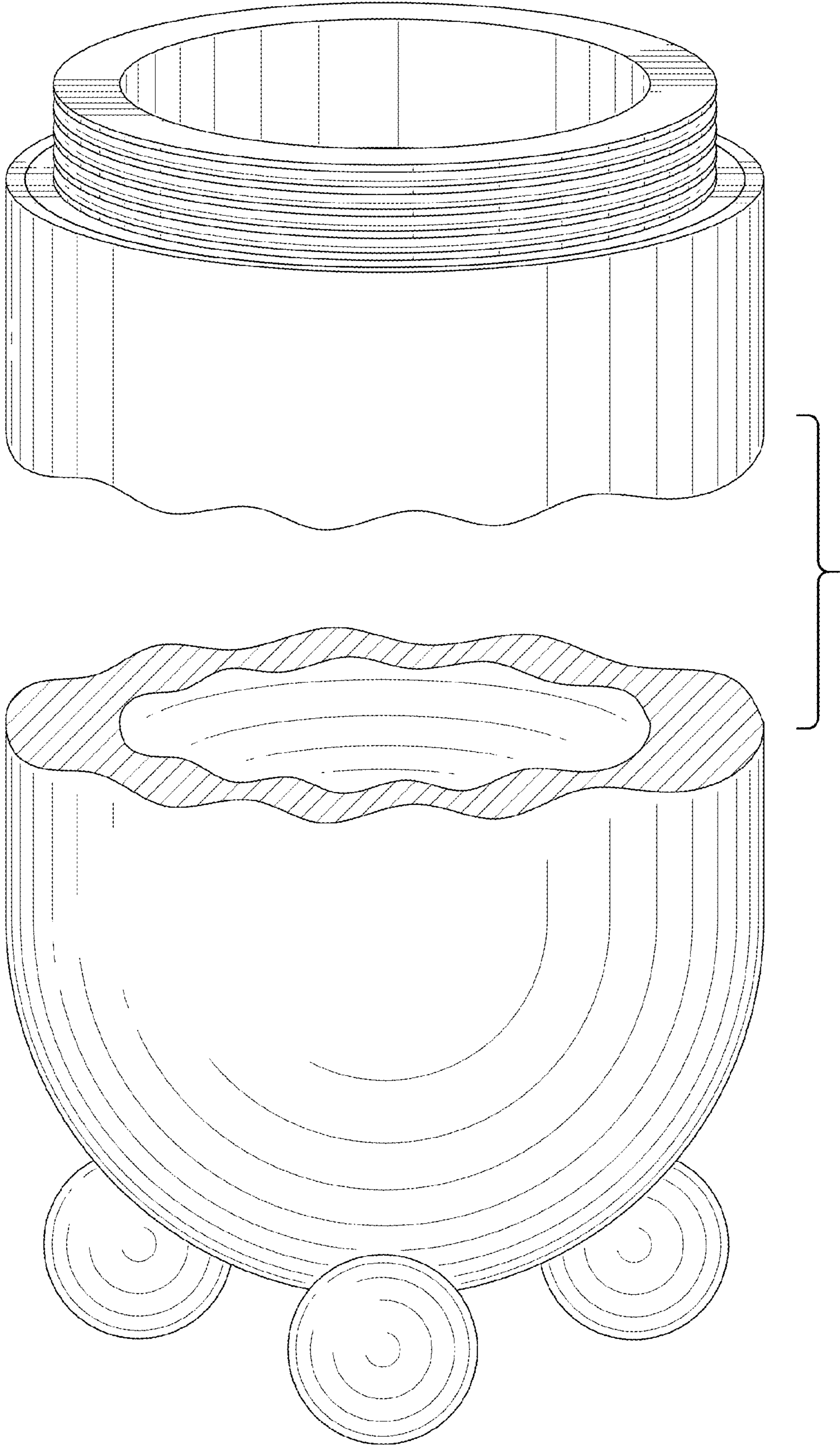


FIG. 1

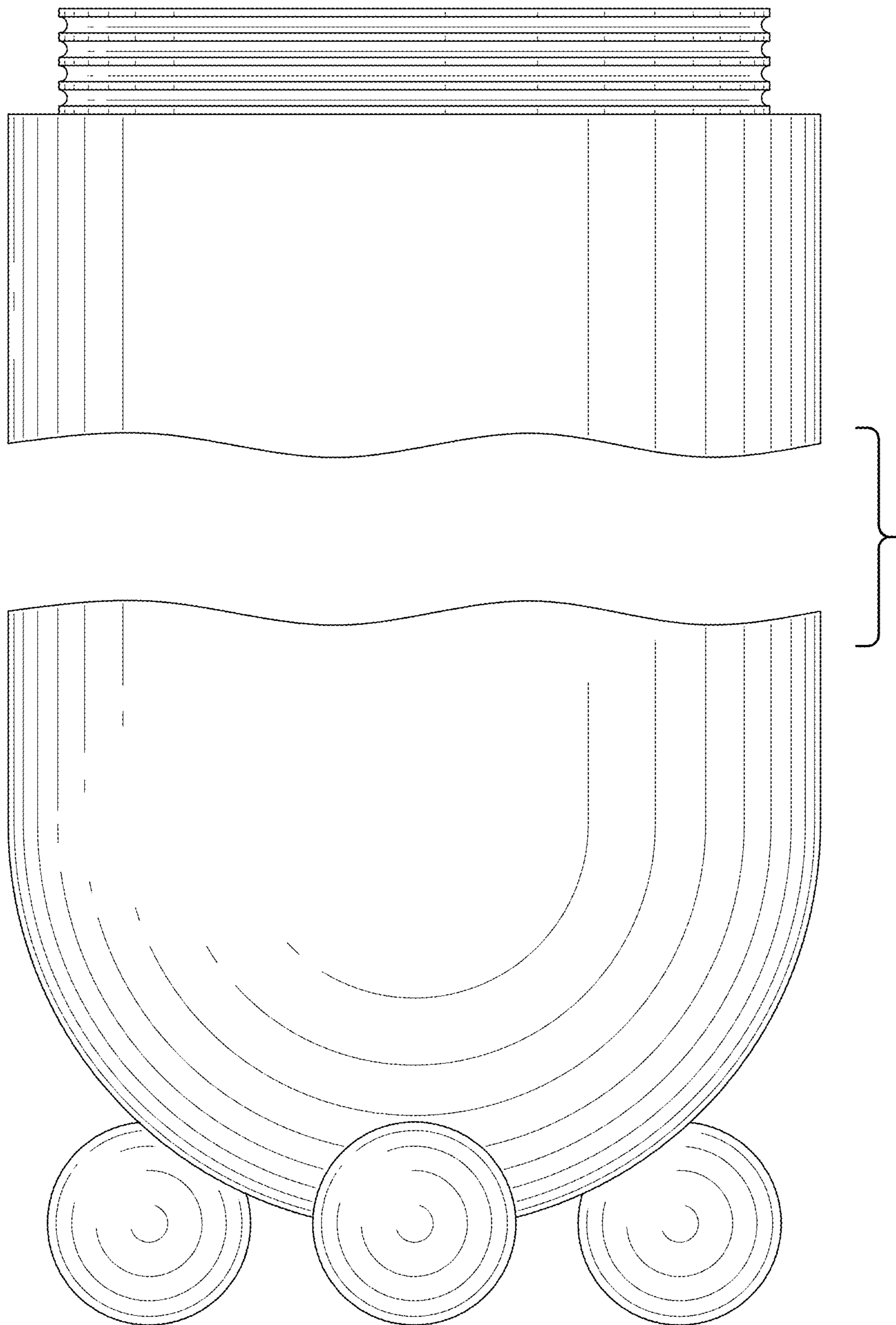


FIG. 2

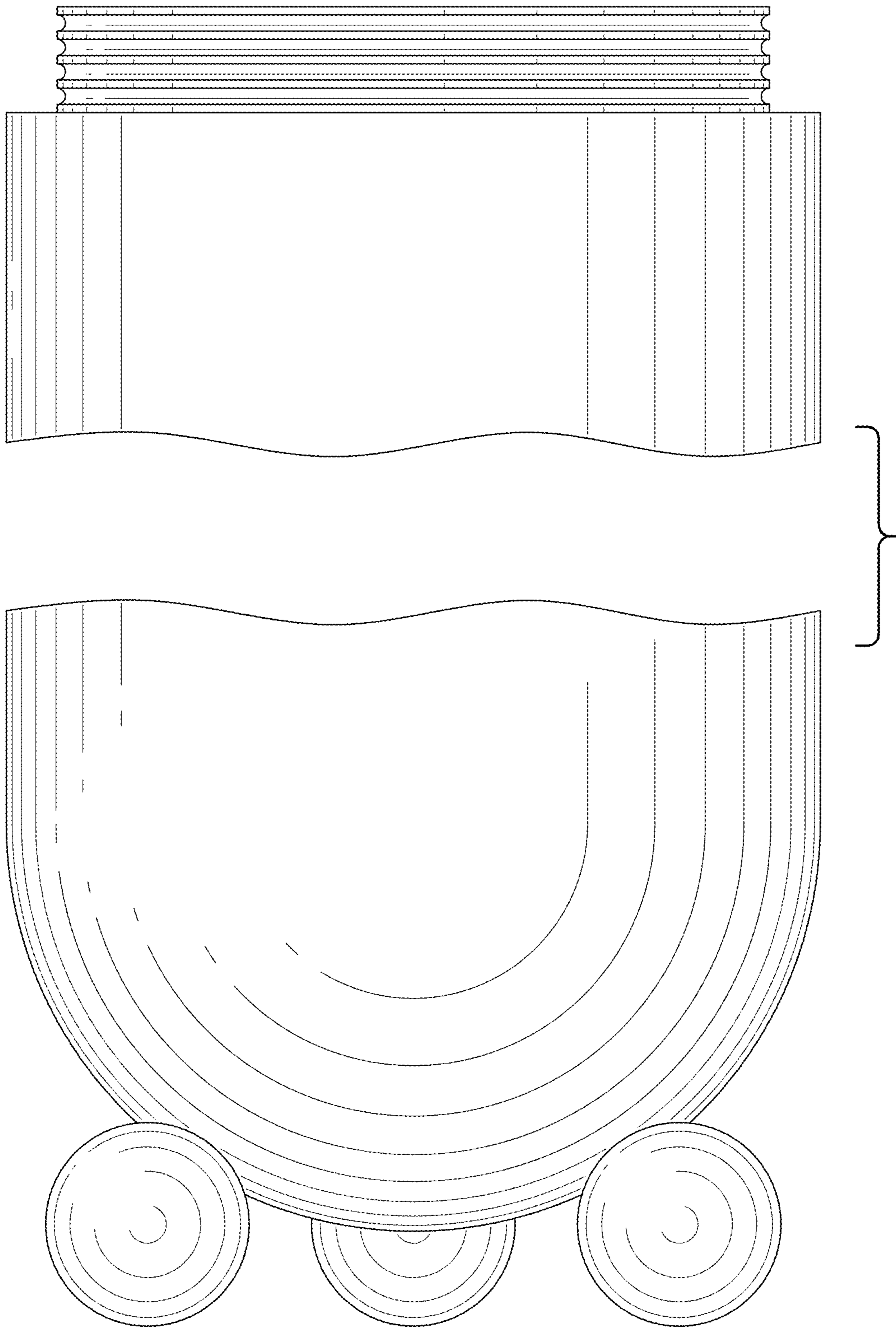


FIG. 3

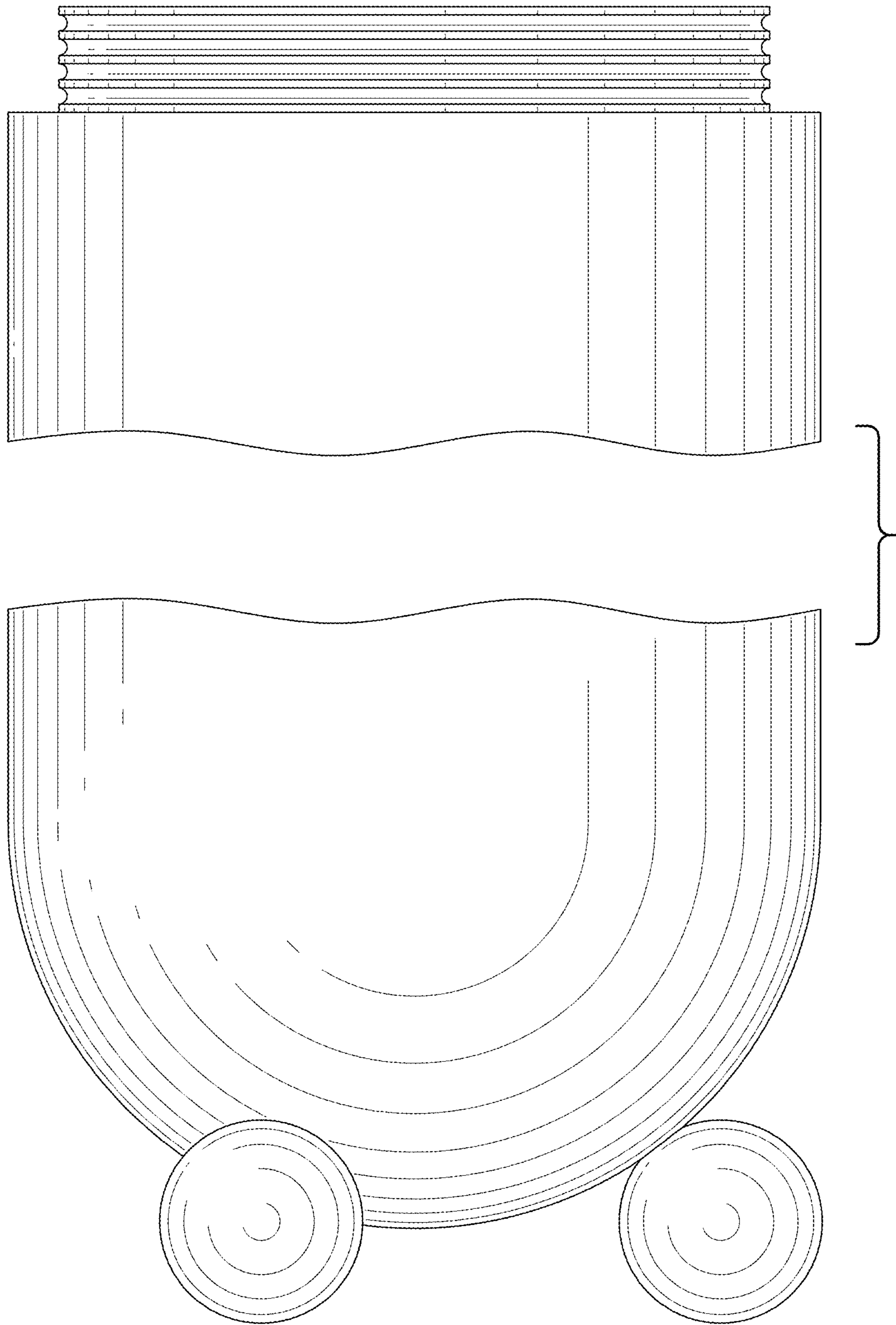


FIG. 4

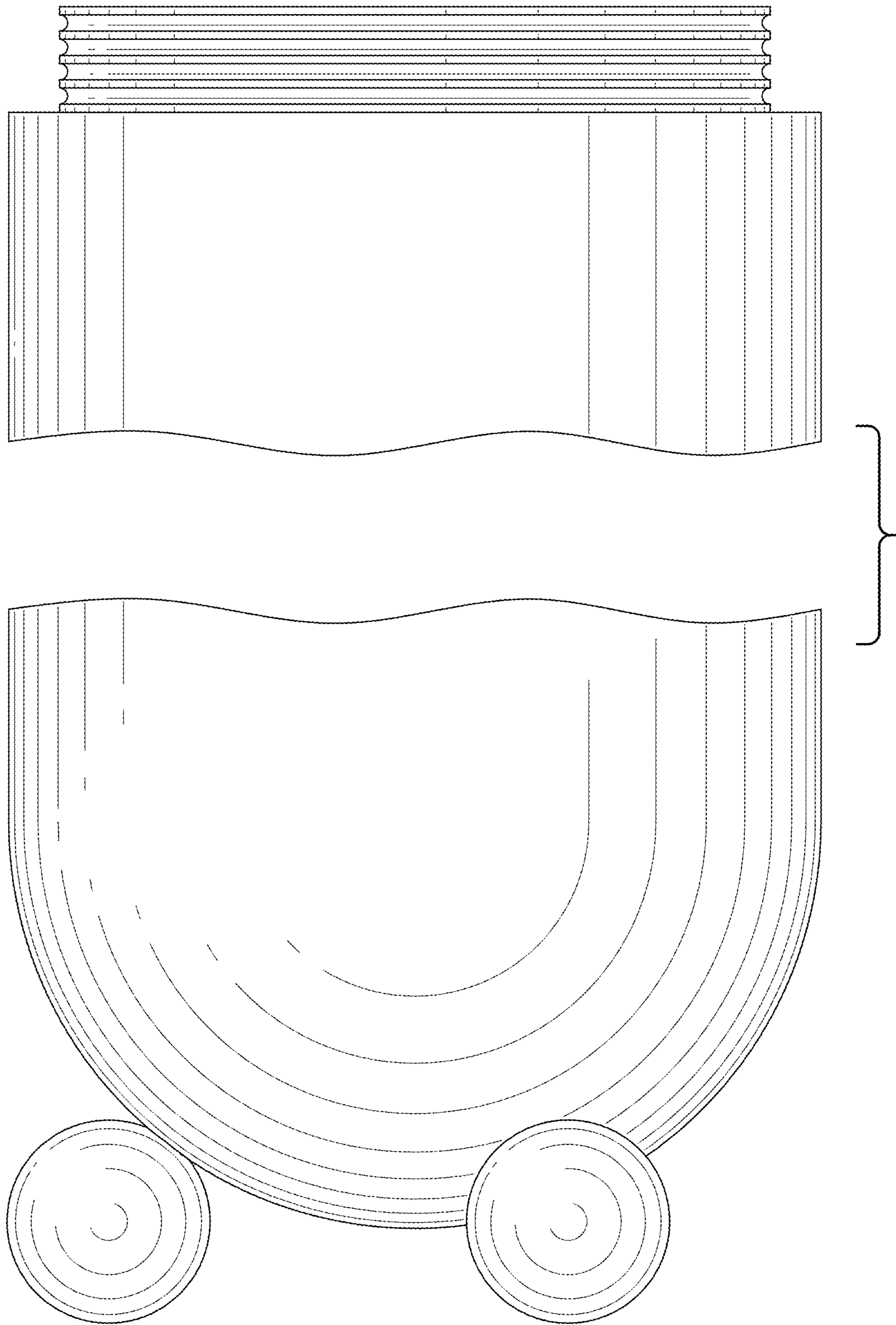


FIG. 5

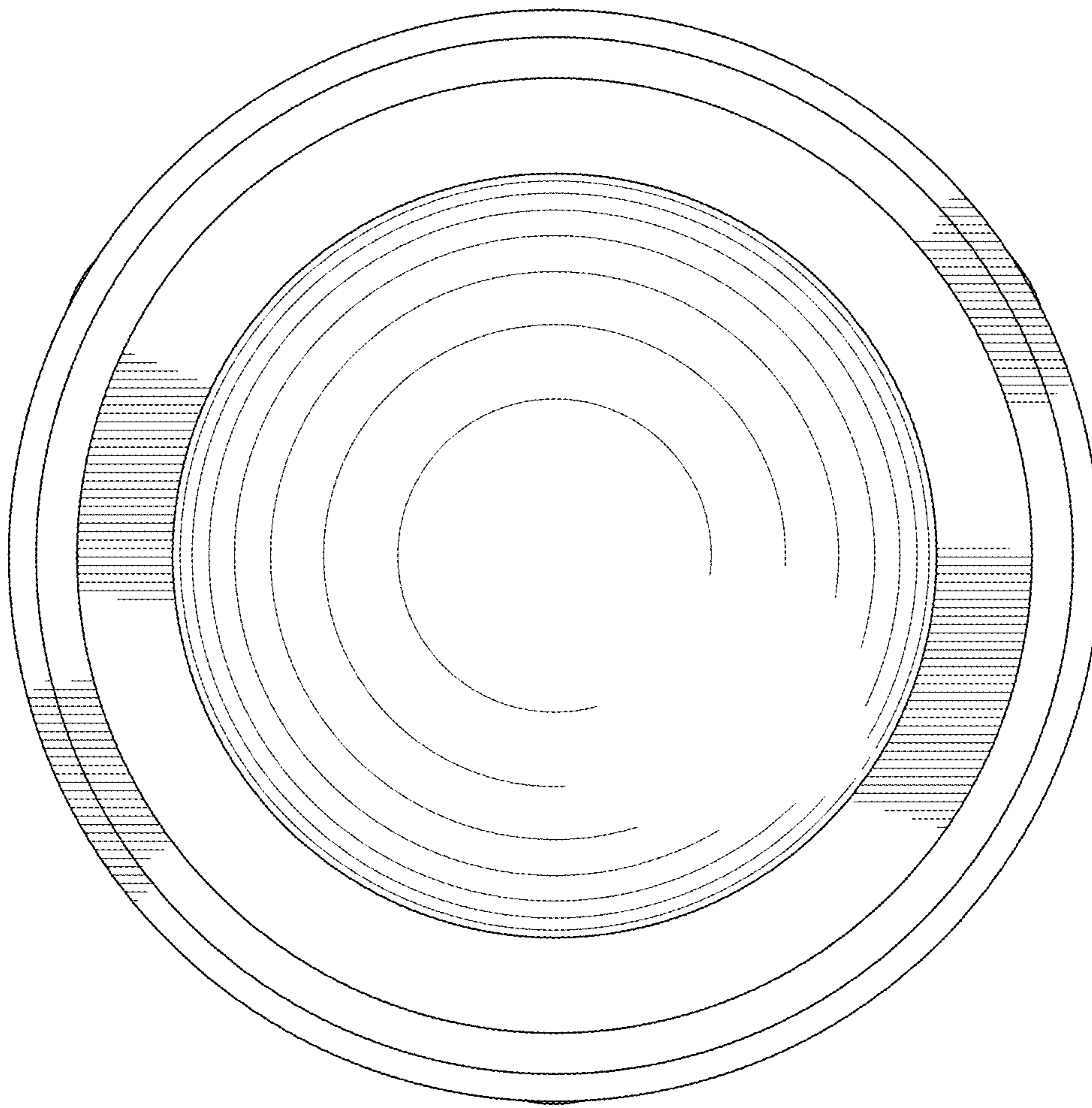


FIG. 6

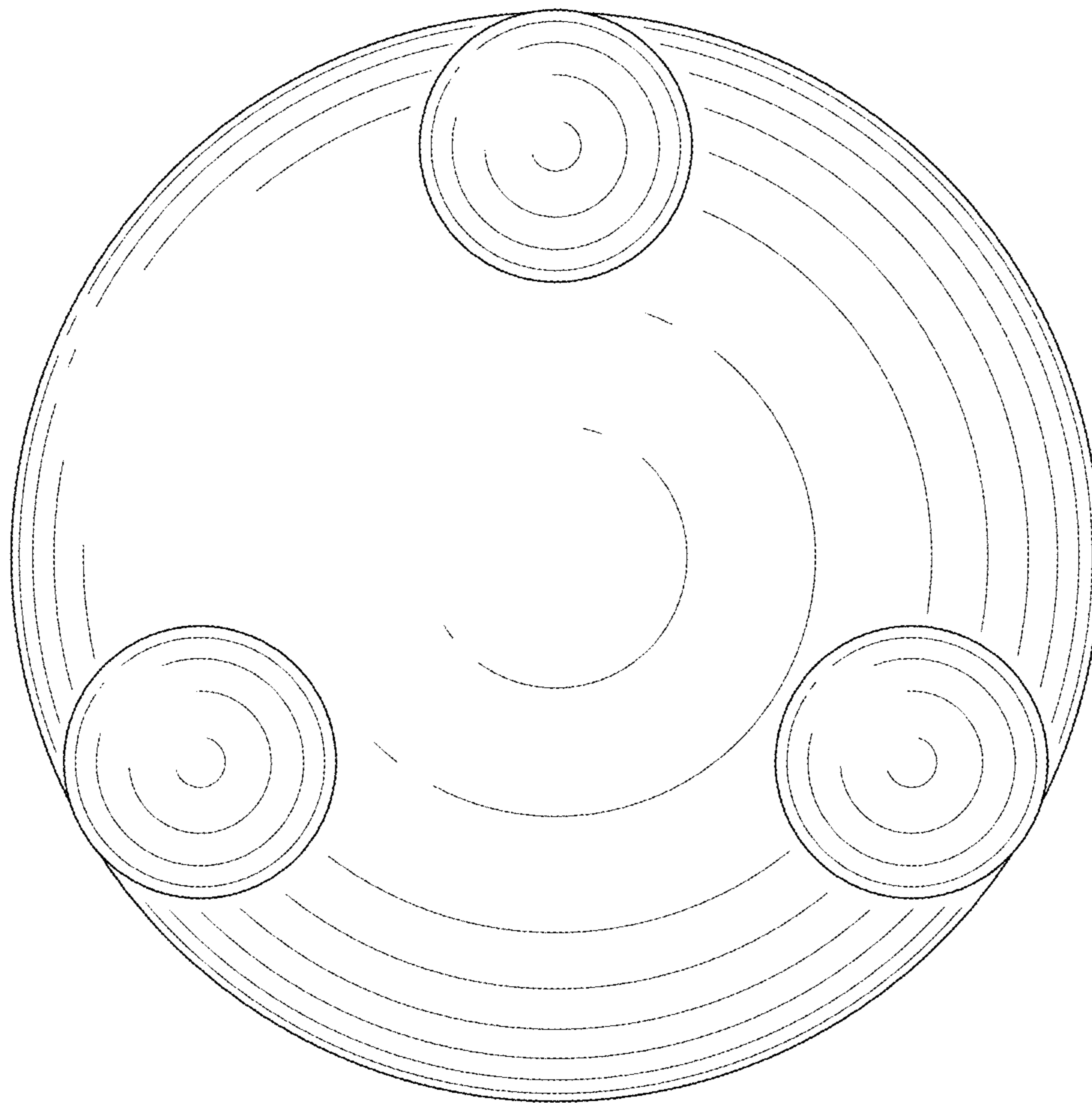


FIG. 7