



US00D884426S

(12) **United States Design Patent** (10) **Patent No.:** **US D884,426 S**
Rupp (45) **Date of Patent:** **** May 19, 2020**

- (54) **CUP**
- (71) Applicant: **Snowie LLC**, Salt Lake City, UT (US)
- (72) Inventor: **Carl A. Rupp**, Salt Lake City, UT (US)
- (73) Assignee: **Snowie LLC**, Salt Lake City, UT (US)
- (**) Term: **15 Years**
- (21) Appl. No.: **29/633,867**
- (22) Filed: **Jan. 16, 2018**

Related U.S. Application Data

- (63) Continuation of application No. 29/581,459, filed on Oct. 19, 2016, now Pat. No. Des. 807,703.
- (51) **LOC (12) Cl.** **07-01**
- (52) **U.S. Cl.**
USPC **D7/523; D7/543**
- (58) **Field of Classification Search**
USPC D7/507, 509, 510, 511, 529, 530, 531, D7/532, 523, 534, 536, 608, 392.1, 396.2, D7/387, 396.3, 400, 631, 632, 633, 396.6, D7/403, 213, 397, 398, 680, 624.1, 624.2, D7/602, 603, 607, 642, 654, 656, 556, D7/535, 569, 571, 577, 564, 584; D9/500, 501, 502, 503, 504, 434, 435, D9/565, 711, 713, 505, 700, 701, 726, D9/727, 750; 220/200, 592.16, 592.17, 220/495.03; D30/129, 121, 132
CPC A47G 19/22; A47G 19/2288; A47G 19/2205; A47G 19/2222; A47G 19/2233; A47G 19/2266; A47G 19/2211; A47G 19/2216; B65D 47/066; B65D 1/265; B65D 3/06; A45F 3/20

See application file for complete search history.

(56) **References Cited**

U.S. PATENT DOCUMENTS

D49,189 S *	6/1916	Leachman	D7/536
1,365,362 A *	1/1921	Williams	F01P 11/0214
				220/86.2
2,012,113 A *	8/1935	Thompson	A47G 19/2205
				215/363
D135,454 S *	4/1943	Norris	D9/505
2,877,117 A *	3/1959	Heyman	B65D 1/265
				426/139
2,895,452 A *	7/1959	Angeloff	B43L 23/006
				30/455
2,980,280 A *	4/1961	Herlow	A47J 27/122
				220/23.83
3,028,035 A *	4/1962	Leong	A47G 19/2227
				40/324
3,205,677 A *	9/1965	Stoner	F25D 3/08
				62/457.3

(Continued)

Primary Examiner — Jae Liang

(74) *Attorney, Agent, or Firm* — Terrence J. Edwards; TechLaw Ventures, PLLC

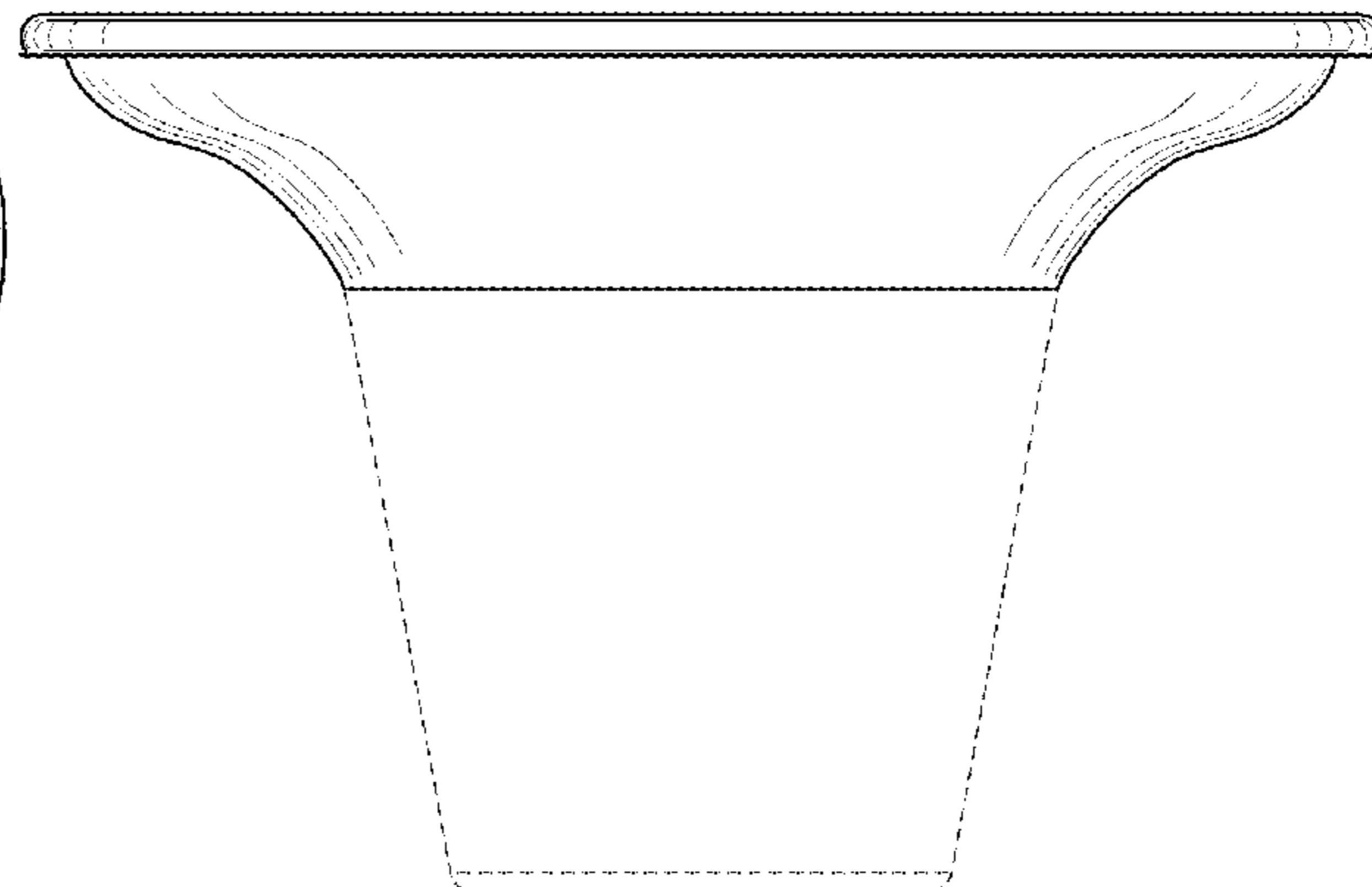
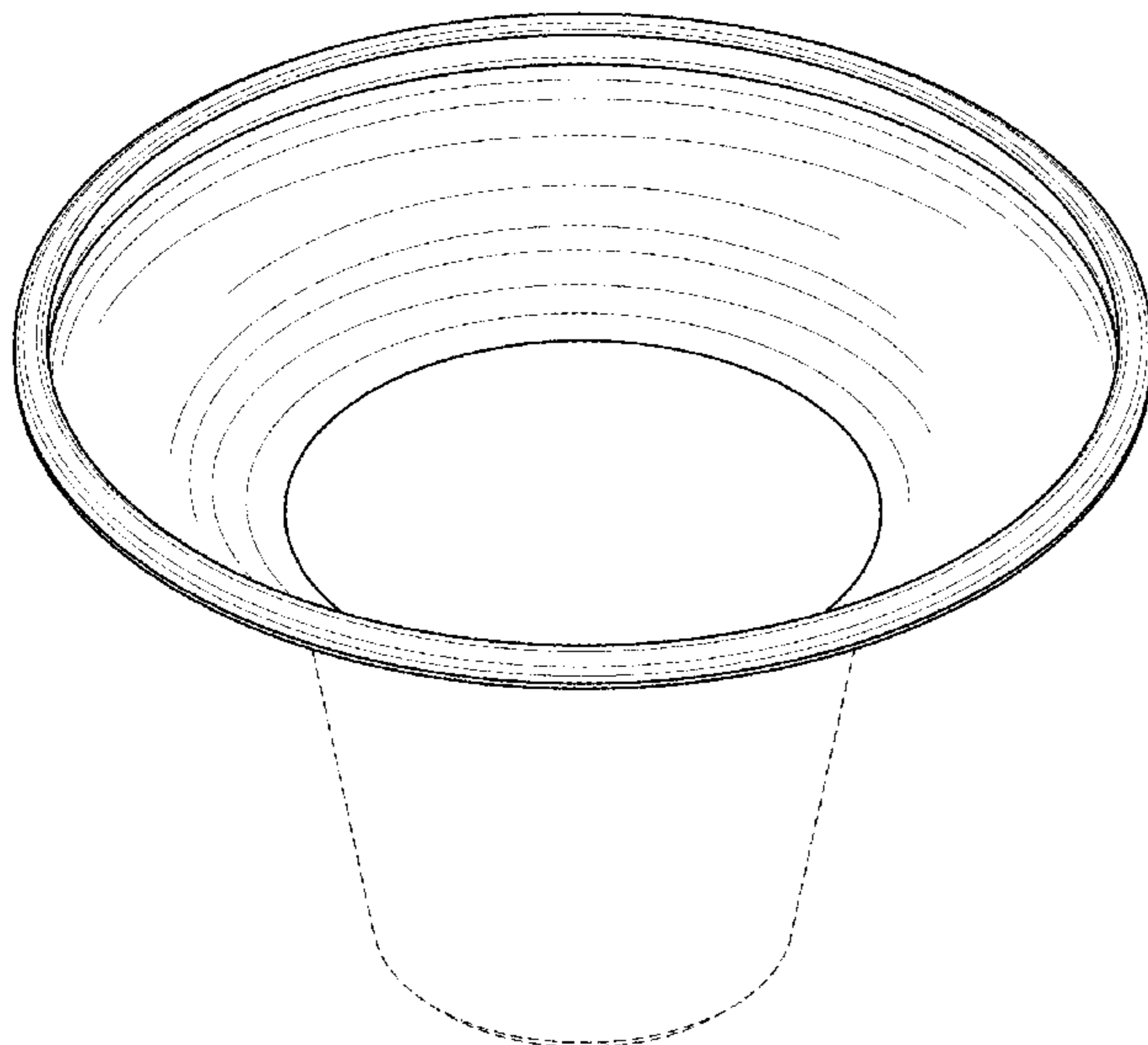
(57) **CLAIM**

I claim the ornamental design for a cup, as shown and described.

DESCRIPTION

FIG. 1 is a top perspective view of a cup showing my new design;
 FIG. 2 is a front view thereof;
 FIG. 3 is a rear view thereof;
 FIG. 4 is a first side view thereof;
 FIG. 5 is a second side view thereof;
 FIG. 6 is a top view thereof;
 FIG. 7 is a bottom view thereof; and,
 FIG. 8 is a bottom perspective view thereof.
 The broken lines in the drawing views represent unclaimed portions of a cup, which are included for the purpose of illustrating unclaimed environment only, and forms no part of the claimed design.

1 Claim, 6 Drawing Sheets



(56)

References Cited

U.S. PATENT DOCUMENTS

3,804,281	A *	4/1974	Eckdahl	A47G 19/2261	215/12.1
3,810,557	A *	5/1974	Cline	A47G 19/2288	215/12.1
D288,891	S *	3/1987	Saito	D7/391	
5,271,244	A *	12/1993	Staggs	A47G 19/2288	62/457.3
D345,716	S *	4/1994	Kwiatkowski	D11/131.1	
D360,558	S *	7/1995	Appleman	D7/300.2	
D395,195	S *	6/1998	Heiberg	D7/387	
D416,444	S *	11/1999	Jørgensen	D7/533	
5,979,695	A *	11/1999	Valls	B65D 85/78	220/666
D428,771	S *	8/2000	Novi	D7/523	
D452,761	S *	1/2002	Swift	D1/105	
D527,954	S *	9/2006	Roth	D7/557	
D533,394	S *	12/2006	Chiang	D7/368	
D548,017	S *	8/2007	Chiang	D7/629	
D557,072	S *	12/2007	Lim	D7/505	
D569,176	S *	5/2008	Bodum	D7/387	
D606,373	S *	12/2009	McCaffery	D7/700	
D612,564	S *	3/2010	Comley	D34/35	
D622,108	S *	8/2010	McKnight	D7/619.1	
D640,095	S *	6/2011	Dettloff	D7/396.2	
D664,810	S *	8/2012	Borrello	D7/515	
D693,628	S *	11/2013	Tavener	D7/392.1	
D705,064	S *	5/2014	Sy	D11/154	
D709,559	S *	7/2014	Baumann	D21/398	
8,857,653	B2 *	10/2014	Dawson	A47G 19/06	206/217
D718,488	S *	11/2014	Hildebrandt	D26/118	
D727,090	S *	4/2015	St. Jacques	D7/387	
D727,117	S *	4/2015	Moreau	B25B 7/00	D8/14
D730,607	S *	5/2015	Compton	D34/2	
D739,295	S *	9/2015	Thuma	D11/152	
D749,904	S *	2/2016	Campbell	D7/407	
D760,537	S *	7/2016	Hertaus	D7/400	
D764,864	S *	8/2016	Hertaus	D7/400	
D764,866	S *	8/2016	Hertaus	D7/400	
D772,025	S *	11/2016	Salzl	D7/700	
D782,249	S *	3/2017	McClinton	D7/543	
D807,703	S *	1/2018	Rupp	D7/523	
D814,581	S *	4/2018	Norcross	D21/715	
D817,762	S *	5/2018	French	D9/456	
D837,910	S *	1/2019	Norcross	D21/715	
2002/0166865	A1 *	11/2002	Miorelli	A23G 9/045	220/719
2006/0273087	A1 *	12/2006	Crawford	A47G 19/2227	220/212
2010/0051107	A1 *	3/2010	Crawford	A01G 25/14	137/1
2013/0098923	A1 *	4/2013	Sandoval	A47G 19/06	220/574
2013/0233870	A1 *	9/2013	Miller	A47G 19/22	220/719
2014/0097105	A1 *	4/2014	Mansoorian	A47G 19/2205	206/217
2015/0291322	A1 *	10/2015	Tavener	A47G 19/12	222/572
2019/0099031	A1 *	4/2019	Ohana	A47G 19/2255	

* cited by examiner

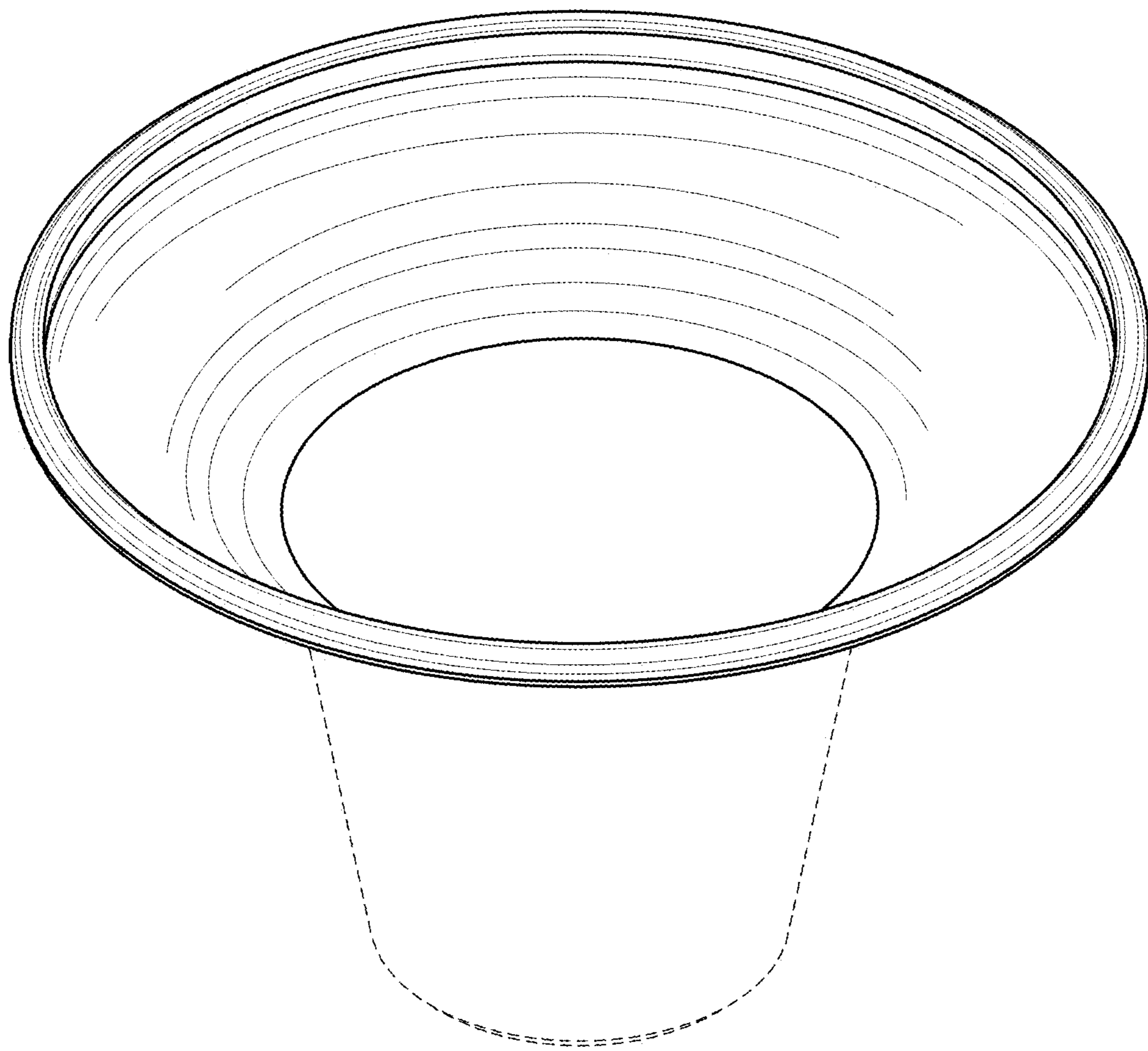


FIG. 1

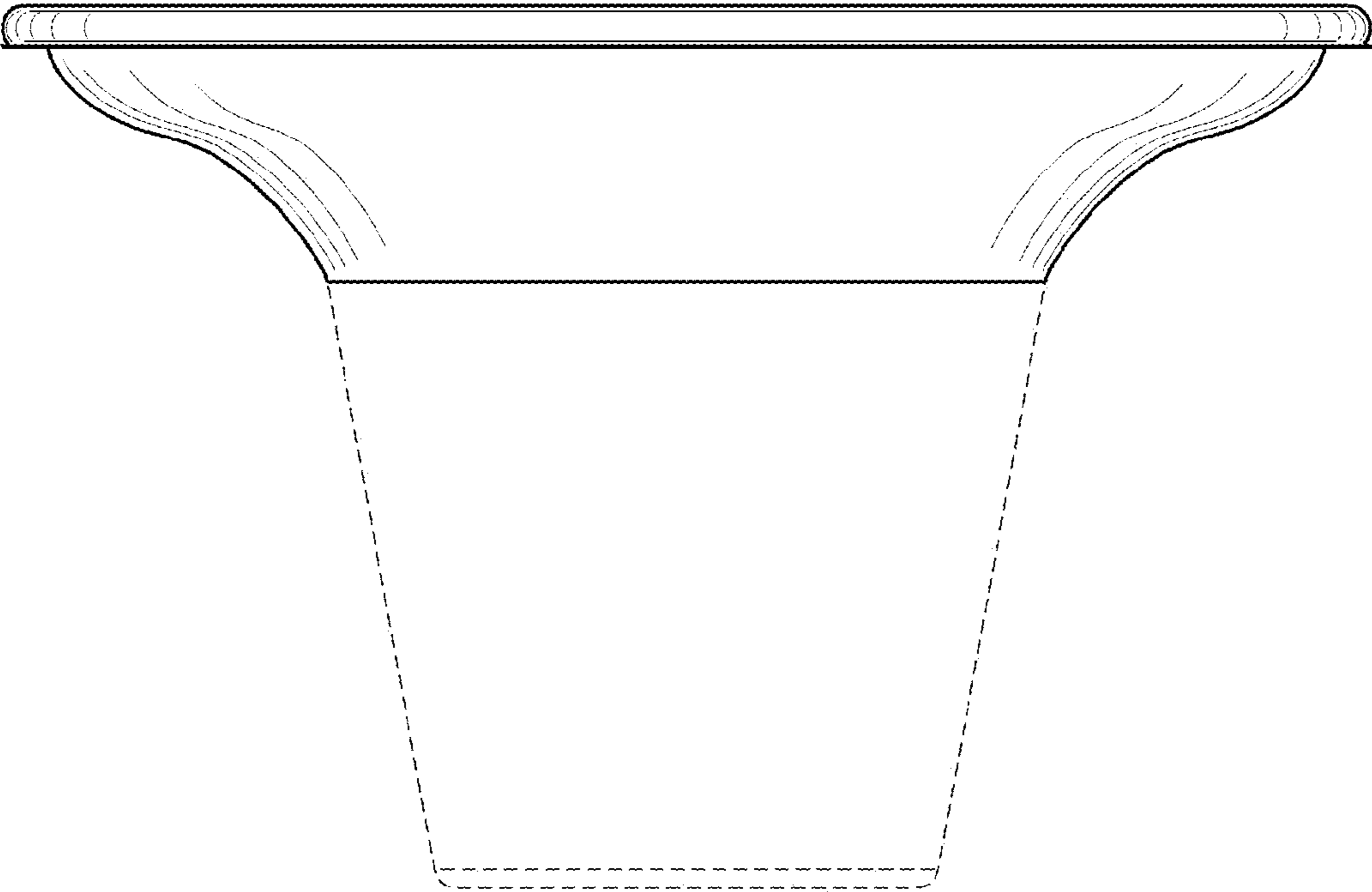


FIG. 2

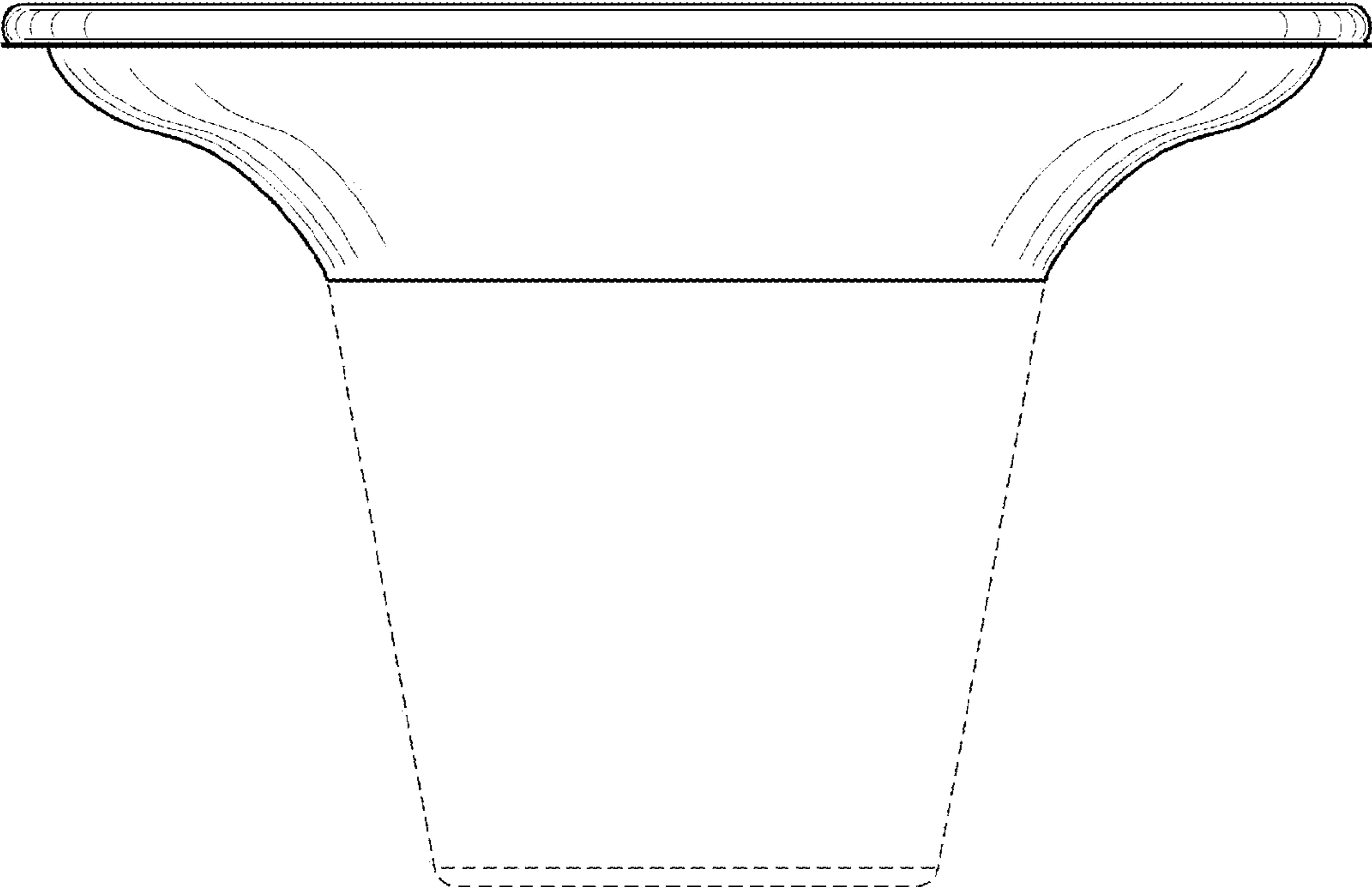


FIG. 3

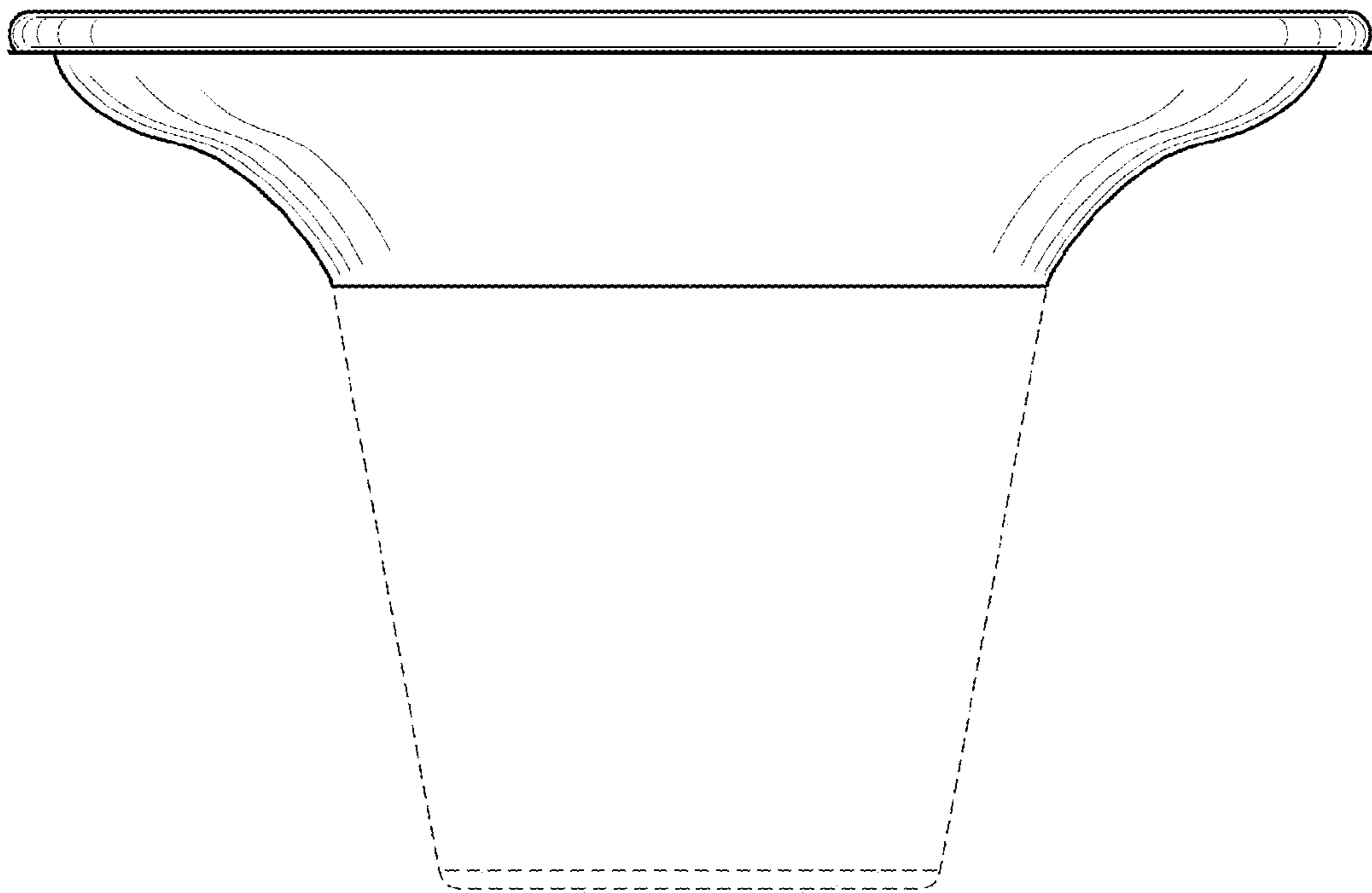


FIG. 4

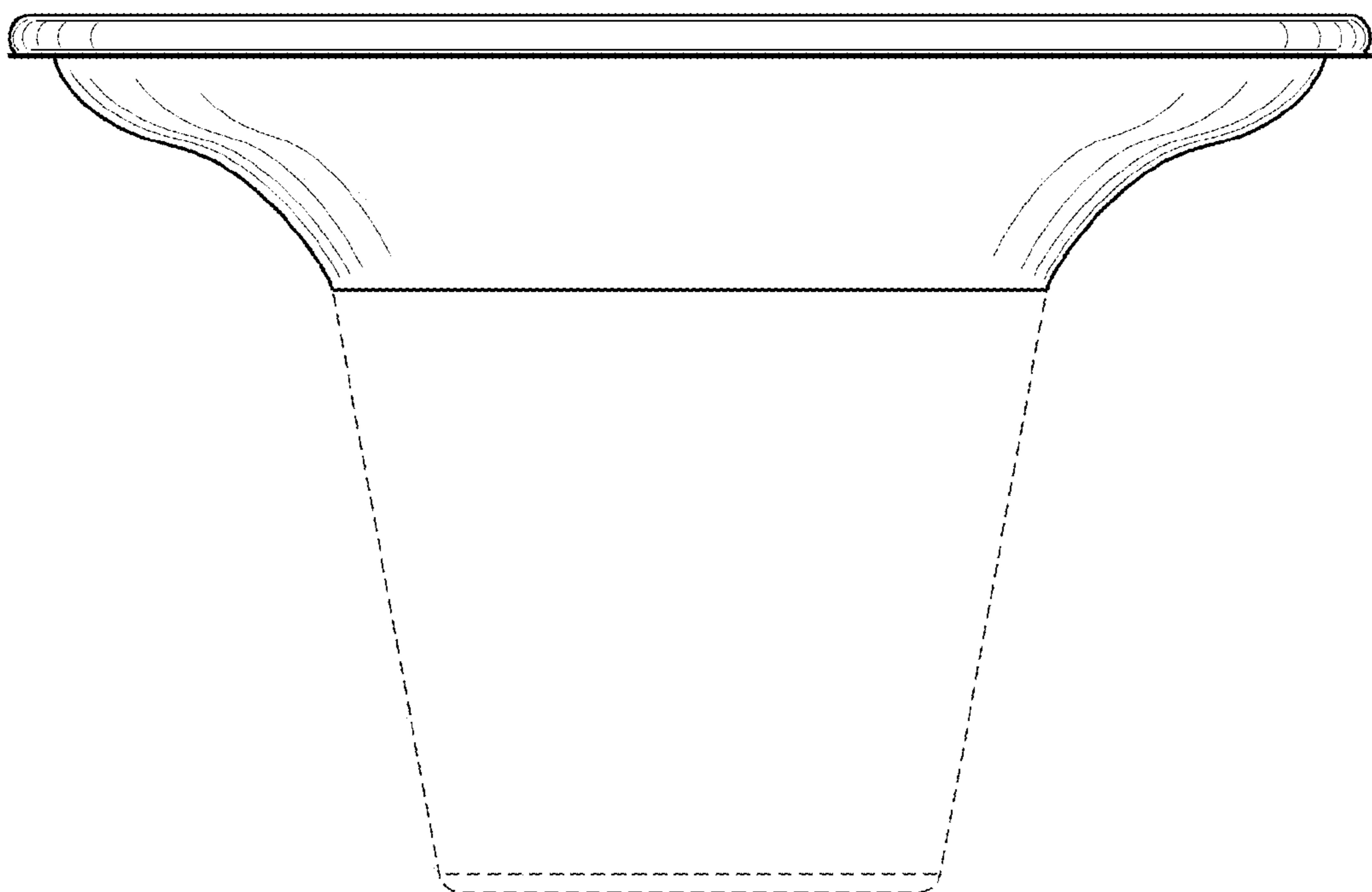


FIG. 5

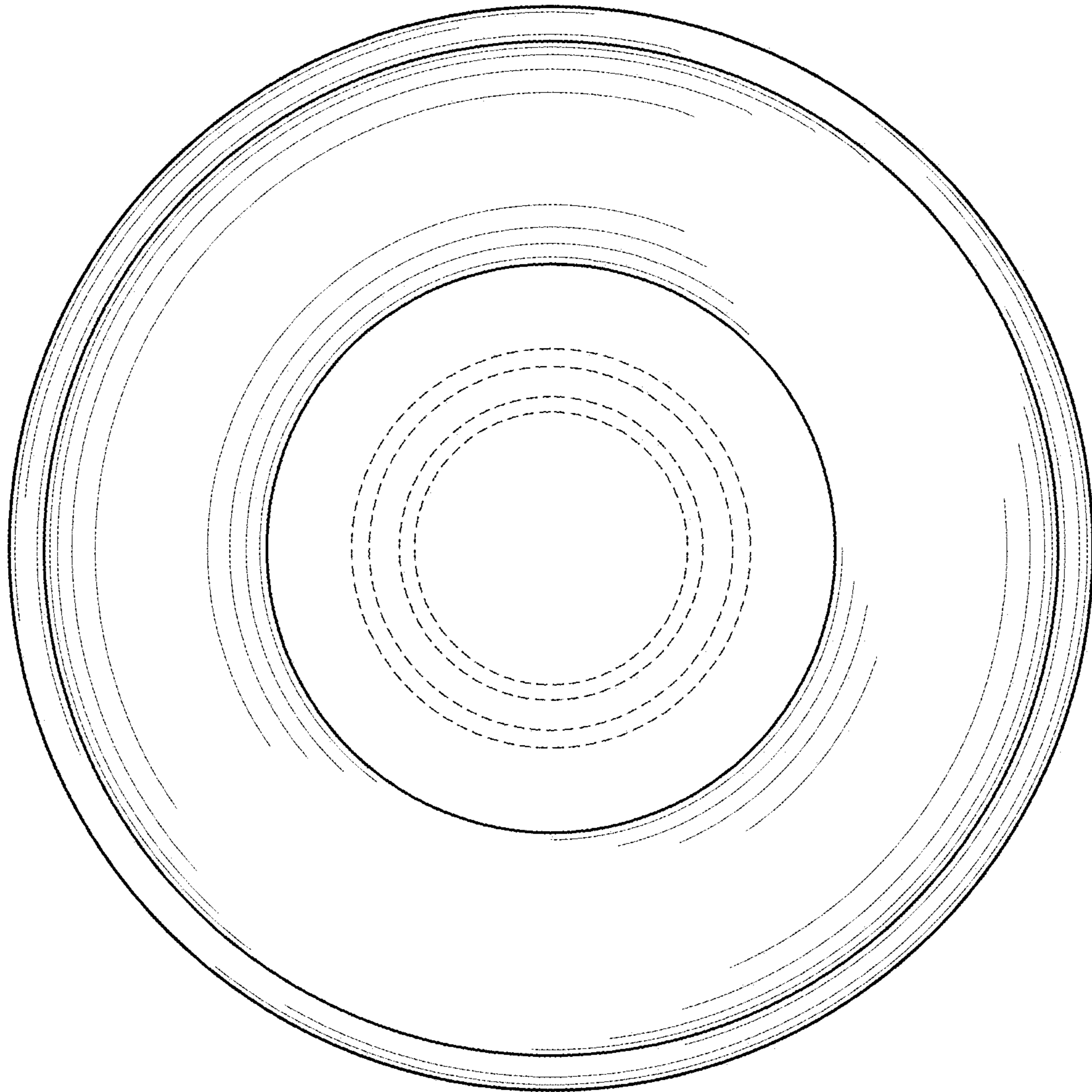


FIG. 6

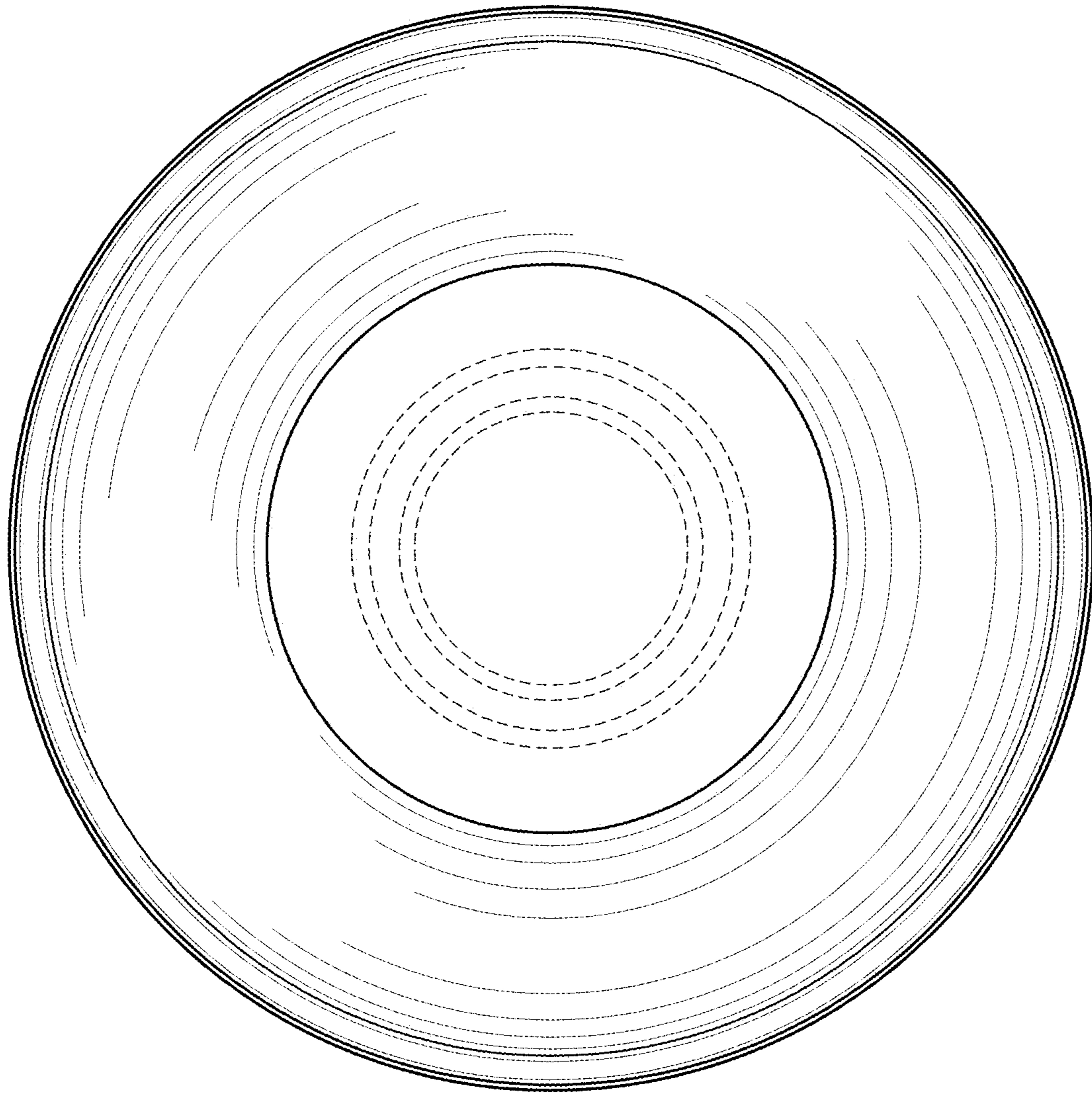


FIG. 7

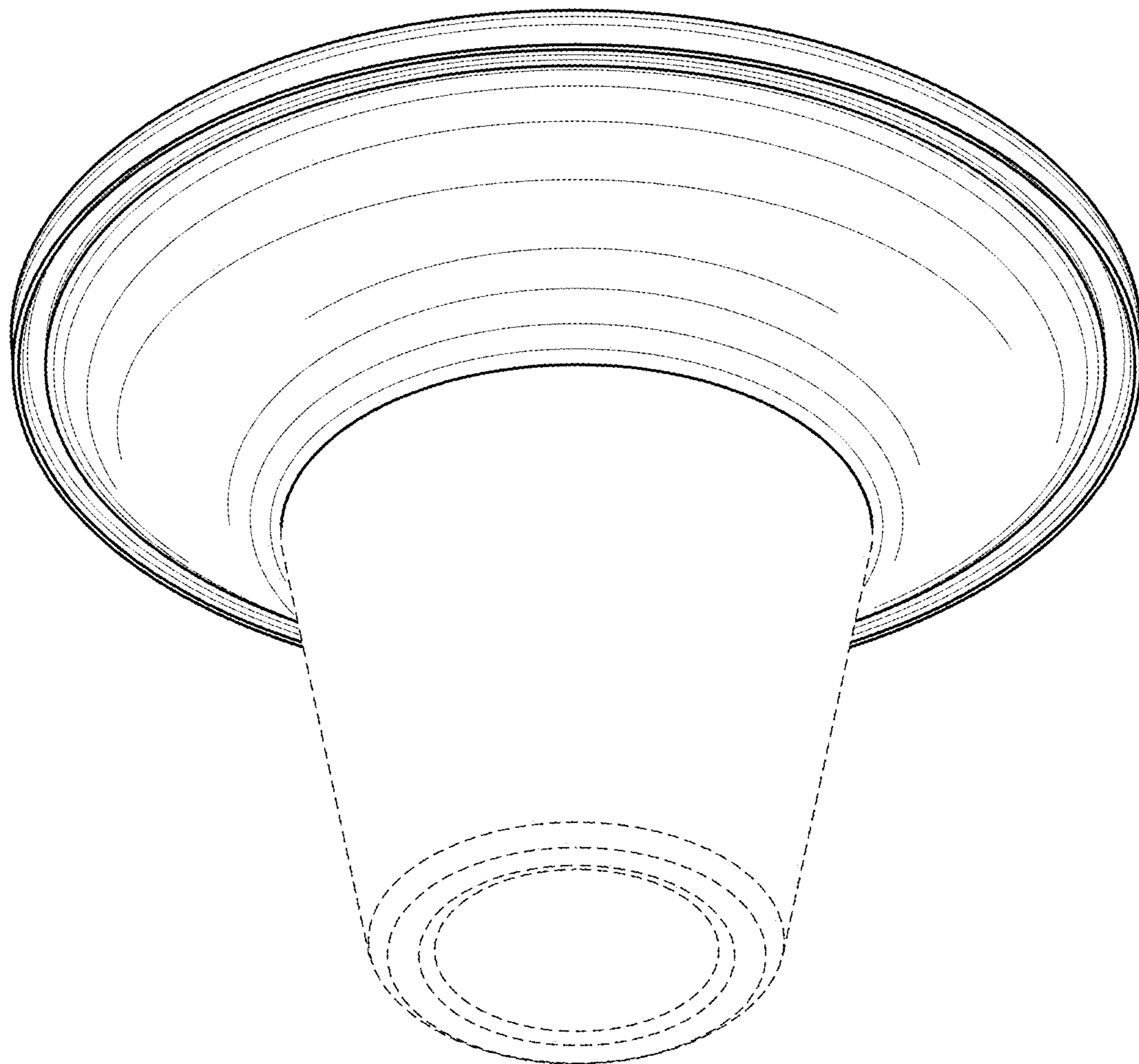


FIG. 8