



US00D884425S

(12) **United States Design Patent** (10) **Patent No.:** **US D884,425 S**  
**Burns et al.** (45) **Date of Patent:** **\*\* May 19, 2020**

(54) **TRAVEL MUG**

OTHER PUBLICATIONS

(71) Applicant: **Can't Live Without It, LLC**, New York, NY (US)

Bottle "A" identified prior to Nov. 18, 2016.

(Continued)

(72) Inventors: **Clay Burns**, New York, NY (US);  
**Michael Circosta**, Brooklyn, NY (US);  
**Mario Quintana Serrahima**, Brooklyn, NY (US)

*Primary Examiner* — Jae Liang

(74) *Attorney, Agent, or Firm* — Kilpatrick Townsend & Stockton LLP

(73) Assignee: **CAN'T LIVE WITHOUT IT, LLC**, New York, NY (US)

(57) **CLAIM**

The ornamental design for a travel mug, as shown and described.

(\*\*) Term: **15 Years**

(21) Appl. No.: **29/689,988**

(22) Filed: **May 3, 2019**

**DESCRIPTION**

**Related U.S. Application Data**

(63) Continuation of application No. 29/637,880, filed on Feb. 22, 2018, now Pat. No. Des. 851,458, which is (Continued)

(51) **LOC (12) Cl.** ..... **07-01**

(52) **U.S. Cl.**  
USPC ..... **D7/510; D7/511; D7/523**

(58) **Field of Classification Search**  
USPC ..... D7/392.1, 396.2, 396.3, 396.6, 397, 398, D7/399, 400, 402, 387, 213, 388, 510, D7/511, 507, 624.1, 624.2, 506, 505, 406, D7/708.1, 619.1, 622, 633, 635, 523, 532; D9/435, 436, 440, 453, 455, 499, 454, (Continued)

FIG. 1 is a front perspective view of a travel mug with a cap; FIG. 2 is a front elevational view of the travel mug with the cap; FIG. 3 is a rear elevational view of the travel mug with the cap; FIG. 4 is a right-side elevational view of the travel mug with the cap; FIG. 5 is a left-side elevational view of the travel mug with the cap; FIG. 6 is a top view of the travel mug with the cap; FIG. 7 is a bottom view of the travel mug with the cap; FIG. 8 is a rear perspective view of the travel mug with the cap; FIG. 9 is a front perspective view of the travel mug with the cap; and, FIG. 10 is a rear perspective view of the travel mug with the cap.

(56) **References Cited**

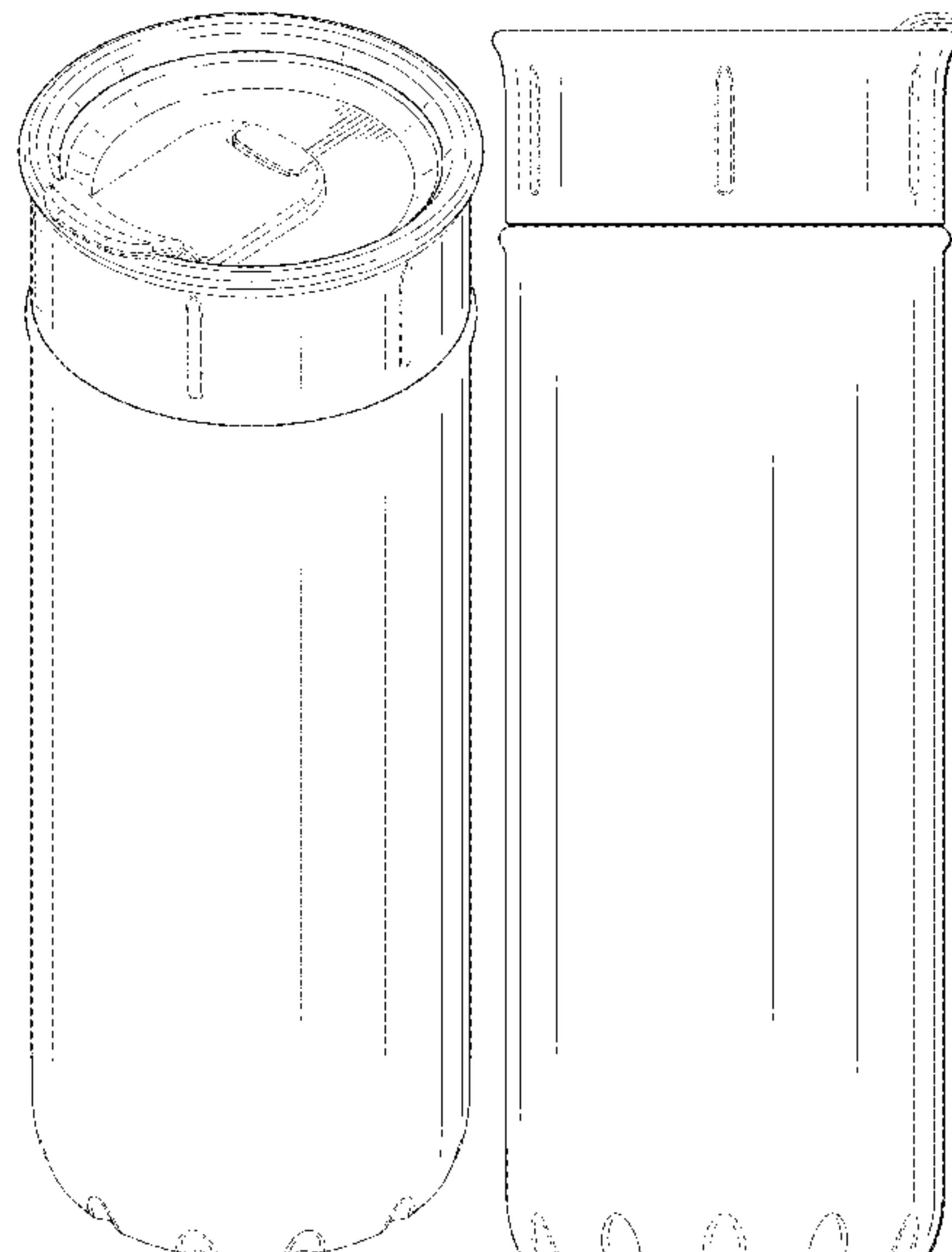
U.S. PATENT DOCUMENTS

D261,230 S \* 10/1981 Bird ..... D9/529  
4,949,865 A \* 8/1990 Turner ..... B65D 47/0847  
220/254.3

The evenly-dotted broken lines in the drawings represent parts of the article that form no part of the claimed design. The dash-dot-dash broken lines in the drawings represent boundaries of unclaimed portions of the article that form no part of the claimed design.

(Continued)

**1 Claim, 9 Drawing Sheets**



**Related U.S. Application Data**

a continuation of application No. 29/608,704, filed on Jun. 23, 2017, now Pat. No. Des. 816,399.

(58) **Field of Classification Search**

USPC ..... D9/415, 434, 520, 450; 220/200, 703, 220/592.16, 592.17; D20/22, 23, 24, 26, D20/27, 28, 29, 43, 32, 19, 10, 4  
CPC .... B65D 41/04; B65D 41/0414; B65D 43/02; B65D 41/56; Y10S 330/903; A47G 19/2288; A47G 2019/2277; A47G 19/2227; G09F 3/00

See application file for complete search history.

(56) **References Cited**

U.S. PATENT DOCUMENTS

D416,755 S	11/1999	Trombly	
D476,857 S *	7/2003	Holsinger	D7/523
D556,581 S	12/2007	Yamada	
D560,435 S *	1/2008	Meehan	D7/507
D586,182 S *	2/2009	Trombly	D7/509
D587,069 S *	2/2009	Bodum	D7/510
D606,364 S *	12/2009	Gilbert	D7/510
D615,358 S *	5/2010	Wahl	D7/510
D617,204 S	6/2010	Lauret	
D641,591 S *	7/2011	Tsukida	D7/608
D641,640 S *	7/2011	Kraff	D9/680
D644,060 S *	8/2011	Komeiji	D7/392.1
D648,984 S *	11/2011	Gullickson	D7/510
D651,045 S *	12/2011	Eyal	D7/510
D675,058 S	1/2013	Lee et al.	
D691,416 S *	10/2013	Eyal	D7/396.2
D696,551 S	12/2013	Meyers et al.	
D698,657 S	2/2014	Bernstein et al.	
D715,100 S *	10/2014	Eyal	D7/510
D717,115 S *	11/2014	Lane	D7/511
D732,892 S	6/2015	Keys	
D736,563 S *	8/2015	George	D7/510
D743,742 S *	11/2015	Rummel	D7/511
D744,781 S *	12/2015	Rummel	D7/511
D750,966 S	3/2016	Zhou	
D760,542 S *	7/2016	Vu	D7/510
D761,618 S *	7/2016	Lapsker	D7/392.1
D761,619 S *	7/2016	Seiders	D7/392.1
D761,624 S	7/2016	Mclean et al.	
D765,836 S *	9/2016	Kammer	D24/121
D775,897 S *	1/2017	Knox	D7/509
D782,317 S	3/2017	Zhou	
D790,913 S	7/2017	Stover et al.	
D792,155 S *	7/2017	Stover	D7/510
D798,665 S *	10/2017	Rummel	D7/510
D799,899 S *	10/2017	Rummel	D7/510
D803,005 S *	11/2017	Lane	D7/608
D803,287 S *	11/2017	Whetsel	D16/135
D816,399 S *	5/2018	Burns	D7/392.1
D851,458 S *	6/2019	Burns	D7/510

D858,199 S *	9/2019	Burns	D7/511
2010/0032454 A1 *	2/2010	Moribata	A45D 40/0075 222/494
2019/0110627 A1 *	4/2019	Biesinger	A47J 19/023

OTHER PUBLICATIONS

Bottle "B" identified prior to Nov. 18, 2016.  
 "18oz O Wide Mouth Flip Lid Fifty Fifty Bottle," uoduckstore.com, 1 page.  
 "Aladdin Photo," 1 page.  
 "Aladdin Tea Photo," 1 page.  
 "Alibaba Flip Caps," Available on Internet at: Alibaba Flip Caps.  
 "Bodum Travel Mug," 1 page.  
 "Double-Wall Stainless Steel Sports Bottle," DIY Trade, Yongkang Merle Industry & Trade Co., Ltd, Available online at: [http://www.diytrade.com/china/pd/7276391/double\\_wall\\_Stainless\\_Steel\\_Sports\\_Bottle.html](http://www.diytrade.com/china/pd/7276391/double_wall_Stainless_Steel_Sports_Bottle.html), Dec. 2010.  
 "Explore Water Bottles, Flip, and More!," Pinterest.com, Tritan 750 mi. (25 oz.) Water bottle, 2017, 2 pages.  
 "Generic Flip Cap Pattern," 1 page.  
 "Good Life Bottles," Available online at: <http://www.goodlifebottles.com/>, Feb. 2, 2017, 1 page.  
 "Hydro Flask Double Wall Vacuum Insulated Stainless Steel Water Bottle," Amazon.com, Jun. 20, 2017, 7 pages.  
 "Hydro Flip," 1 page.  
 "Longplay Series," 1 page.  
 "Mira Photo," 1 page.  
 "Mizu Flip Cap," 1 page.  
 "Ombre Double Walled Stainless Steel Water Bottle," Caribou Coffee, Available on internet at: <https://web.archive.org/web/20100923223026/https://cariboucoffee.com/asp/shop/det/ail.asp?c=4&p=777>, Sep. 23, 2010.  
 "Personalized Stainless Steel Water Bottles," Eco promotions online, Sep. 7, 2016.  
 "Probott Stainless Steel Vacuum Sports Bottle Pb354," Rediff.com, 2017, 2 pages.  
 "Rove-flip Walgreens," 1 page.  
 "Spill Splash Proof Top Cap Cover Lid," aliexpress.com, 3 pages.  
 "Starbucks Flip Cap," 1 page.  
 "Starbucks Flip Generic," 1 page.  
 "Tiger photo," 1 page.  
 "Zojirushi Line Up," 1 page.  
 U.S. Appl. No. 29/608,704 "Notice of Allowance," dated Nov. 3, 2017, 7 pages.  
 U.S. Appl. No. 29/608,704 "Response to Restriction Requirement," dated Sep. 14, 2018, 1 page.  
 U.S. Appl. No. 29/608,704 "Restriction Requirement," dated Aug. 22, 2017 (6 pages).  
 U.S. Appl. No. 29/637,880 "Notice of Allowance," dated Jan. 22, 2019, 10 pages.  
 Aquaflask Available online at: <http://www.theaquaflask.com/shop-2/aquaflask-insulated-double-wall-stainess-steel-water-bottle-with-handle-27-ounce-glossy-stainless-steel>, Sep. 7, 2016, 5 pages.

\* cited by examiner

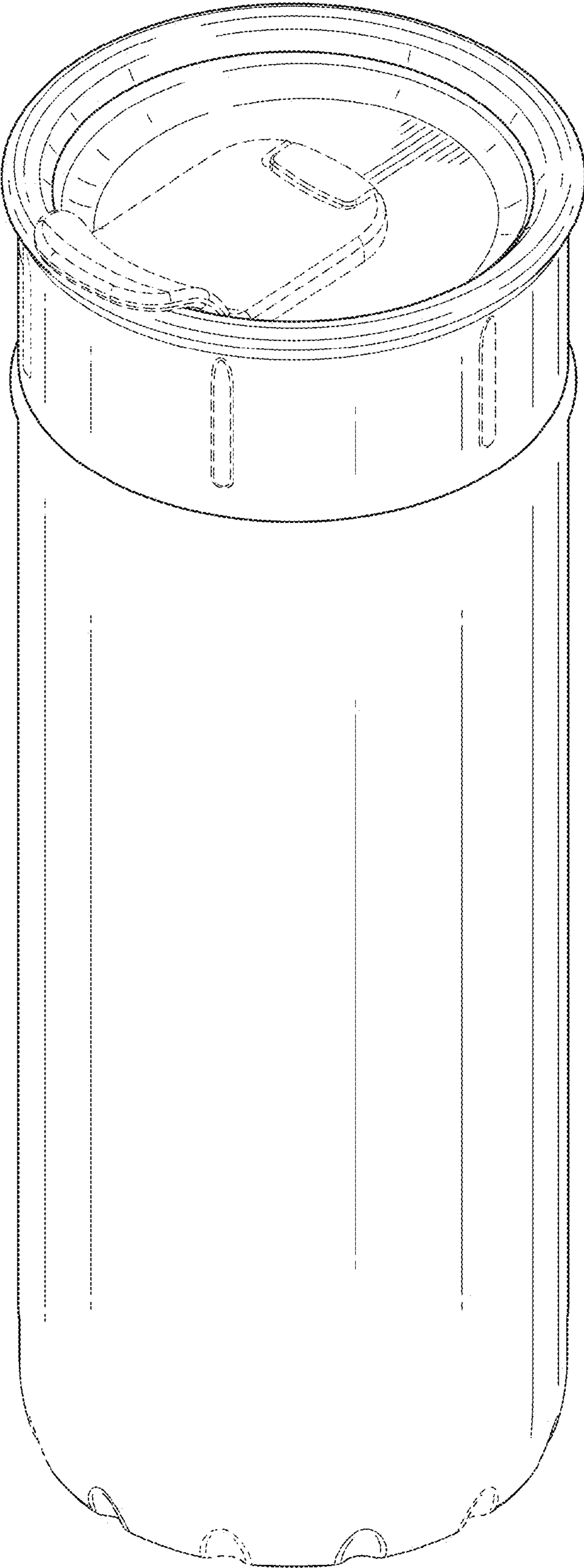


FIG. 1



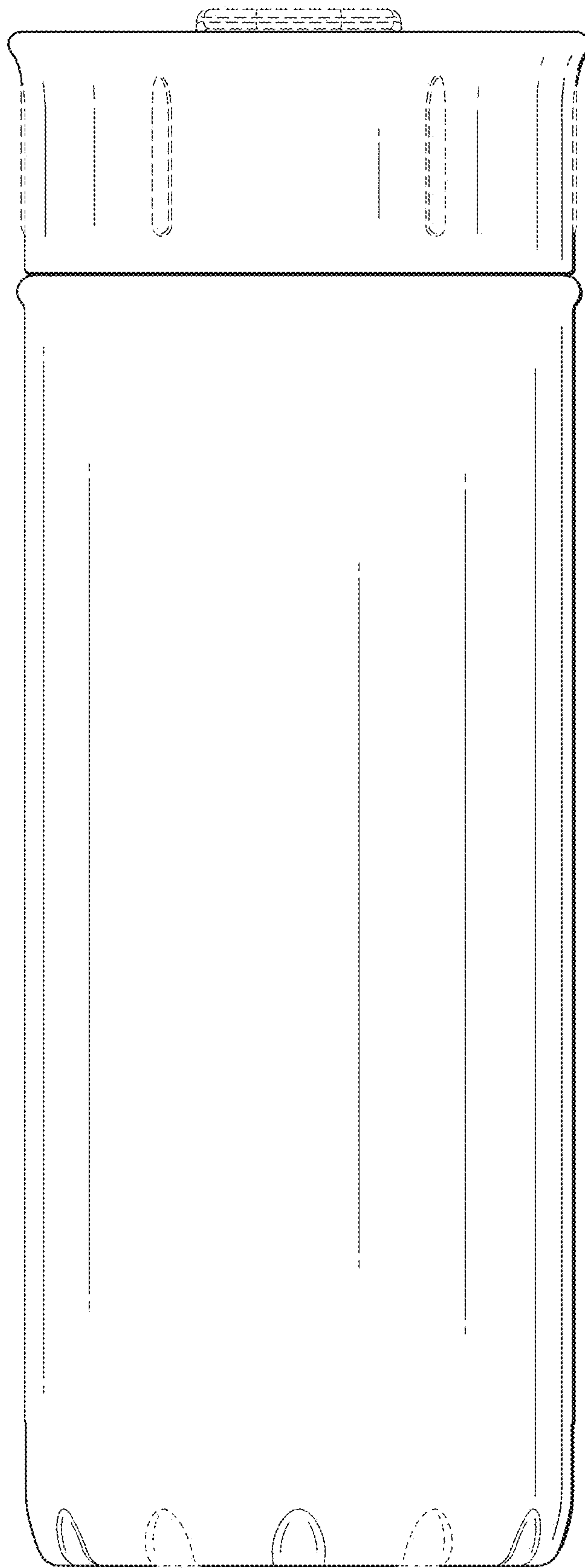


FIG. 2

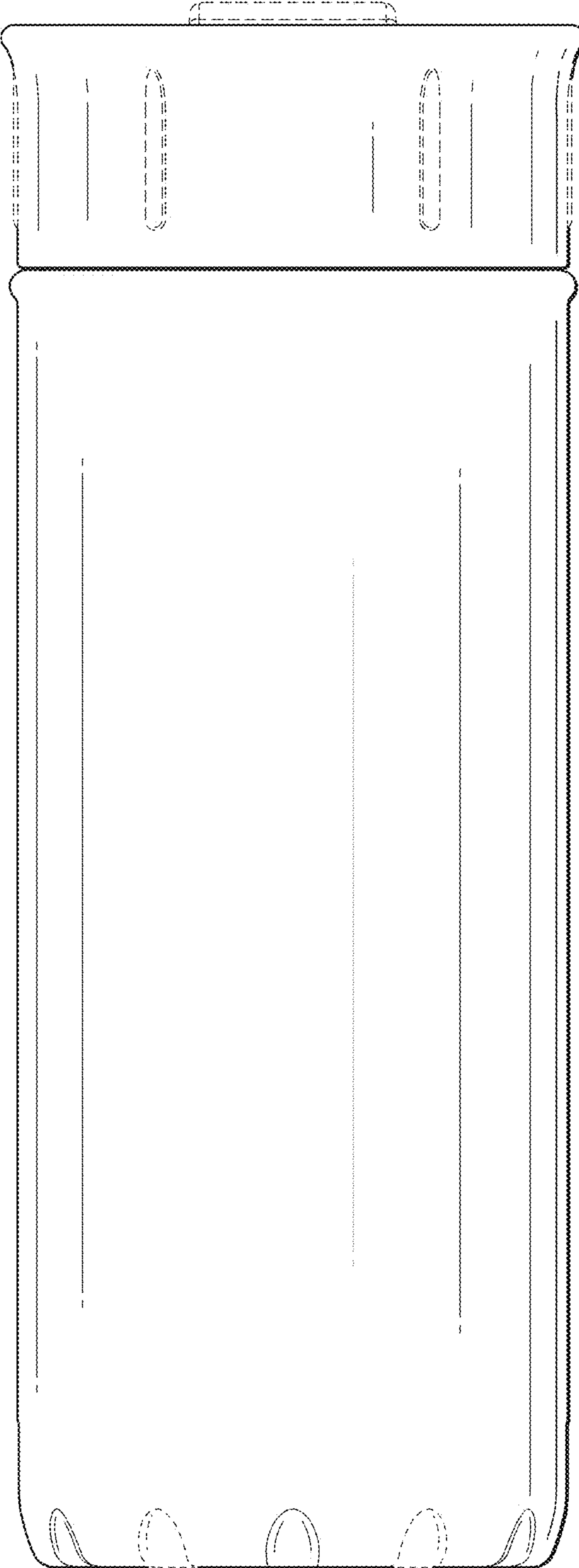


FIG. 3

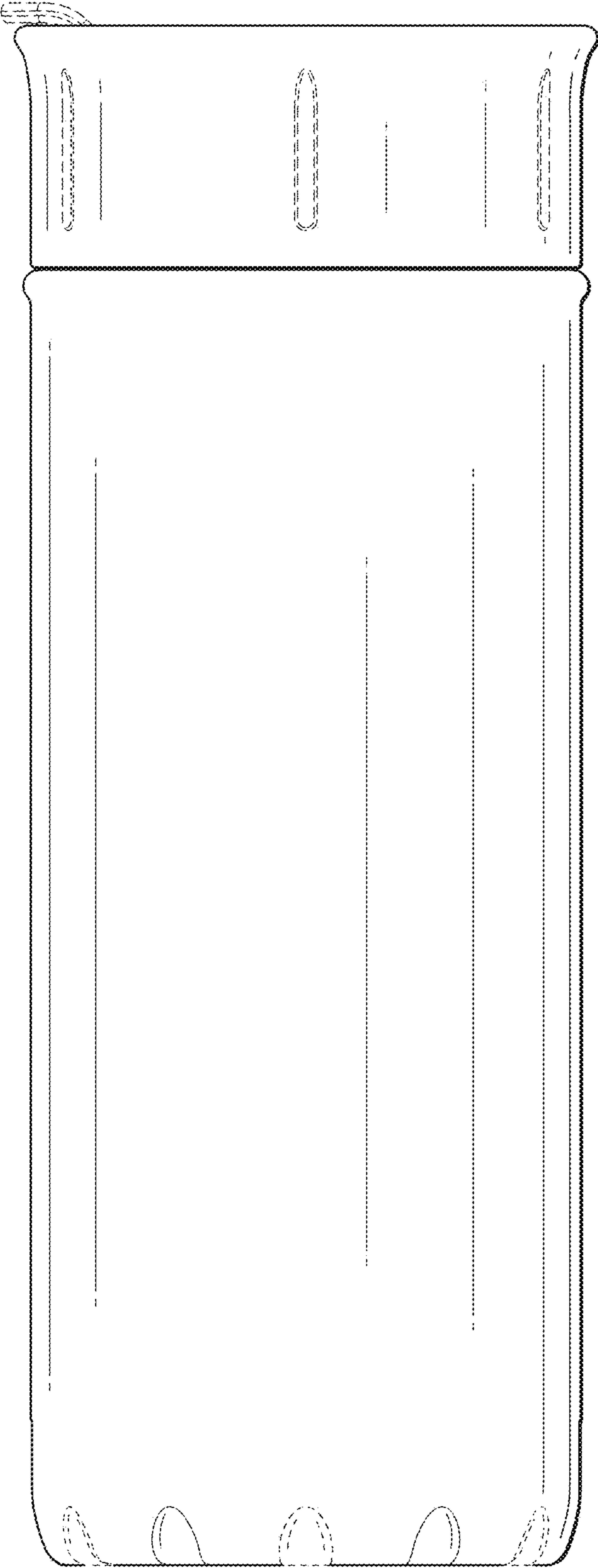


FIG. 4

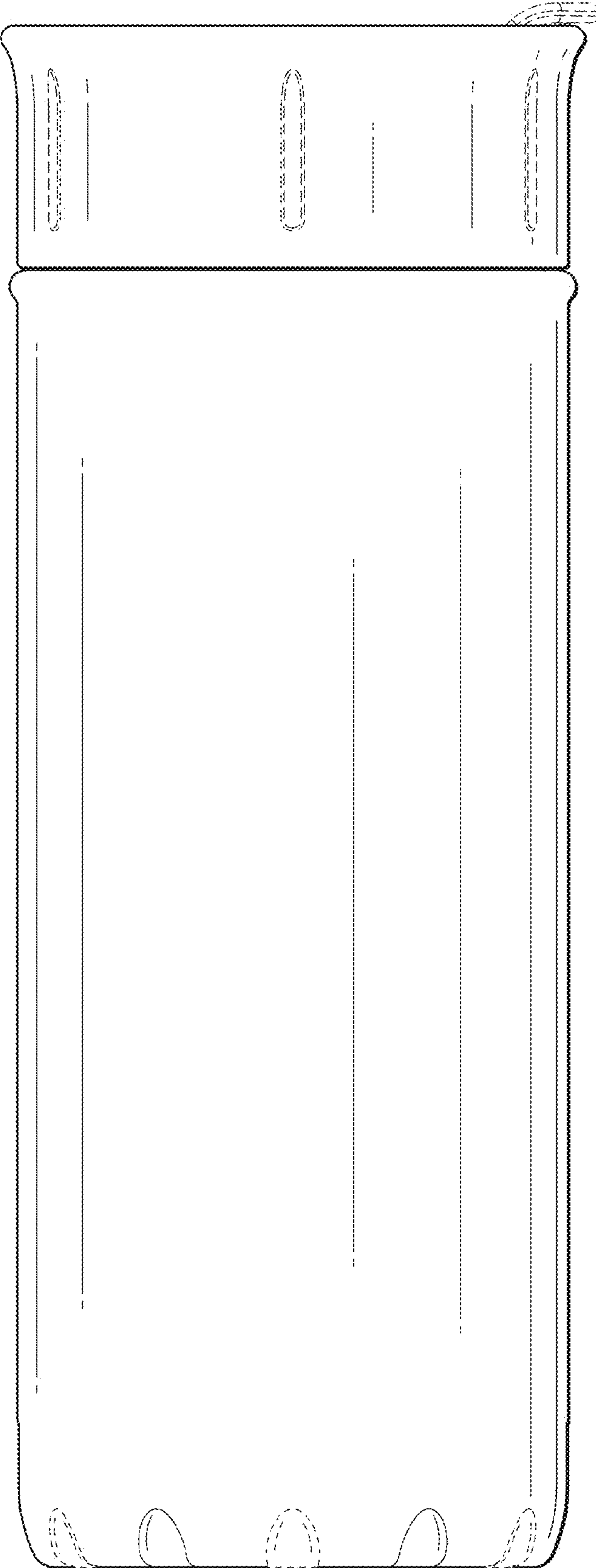


FIG. 5

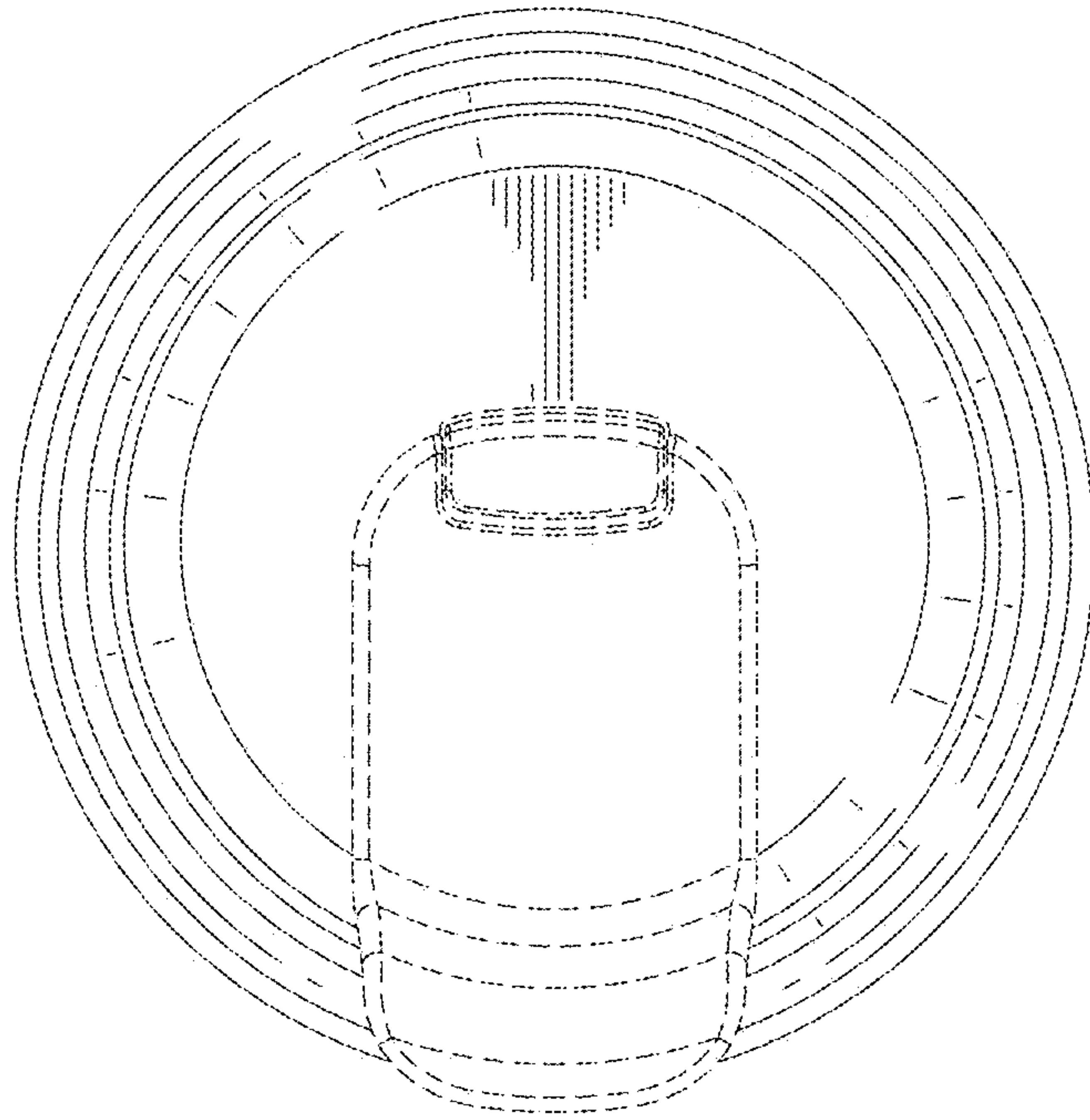


FIG. 6

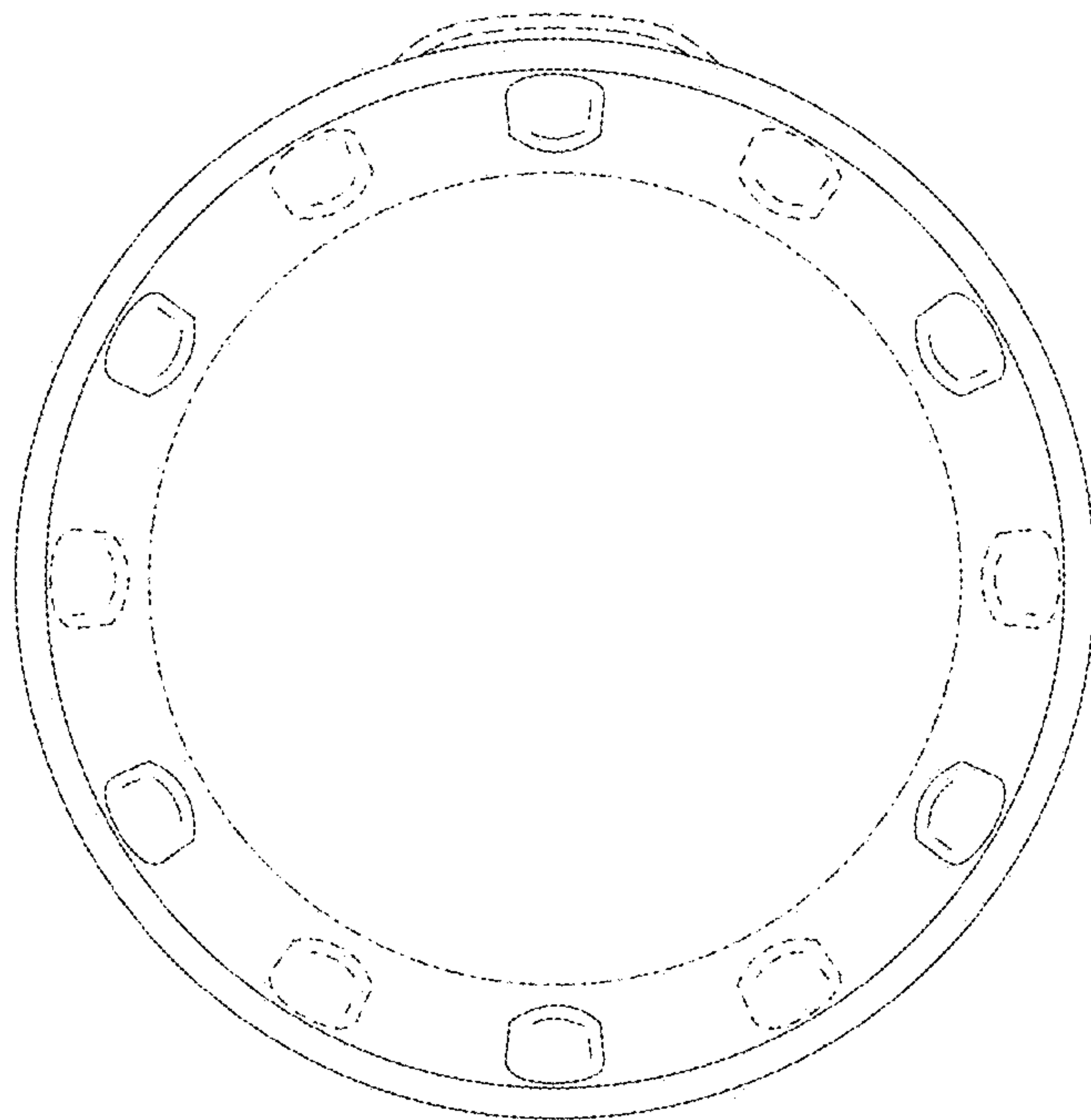


FIG. 7



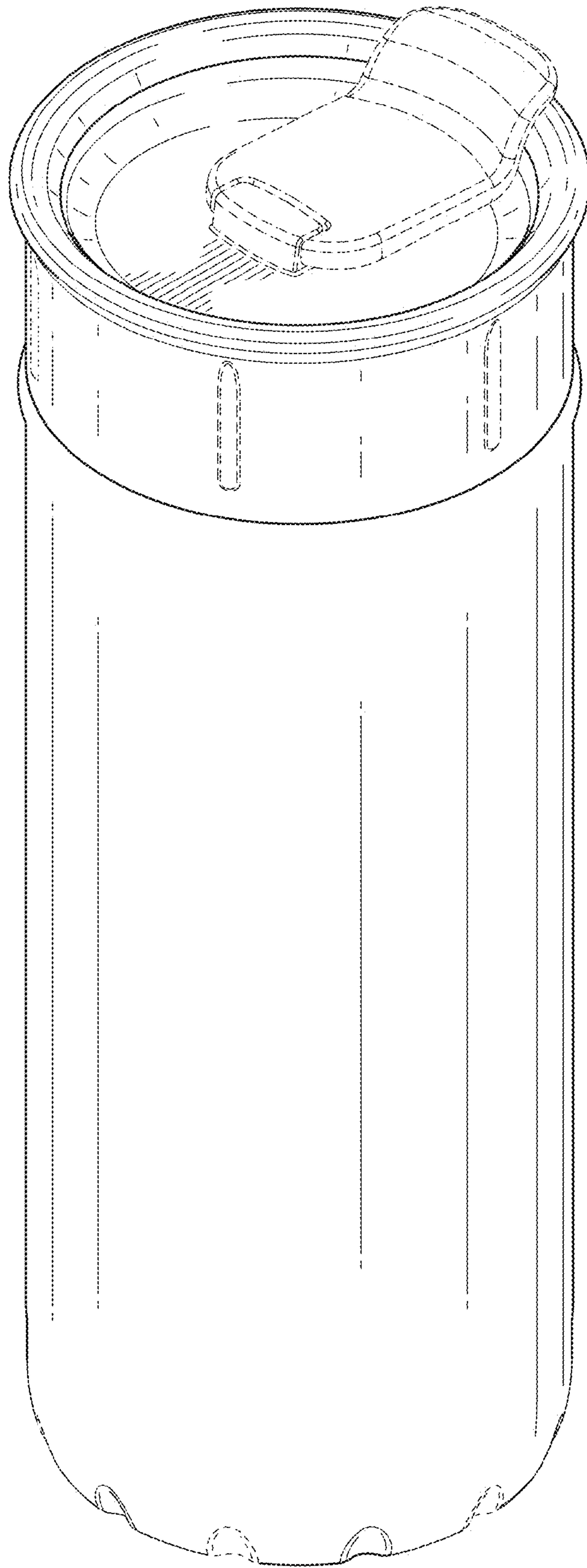


FIG. 8

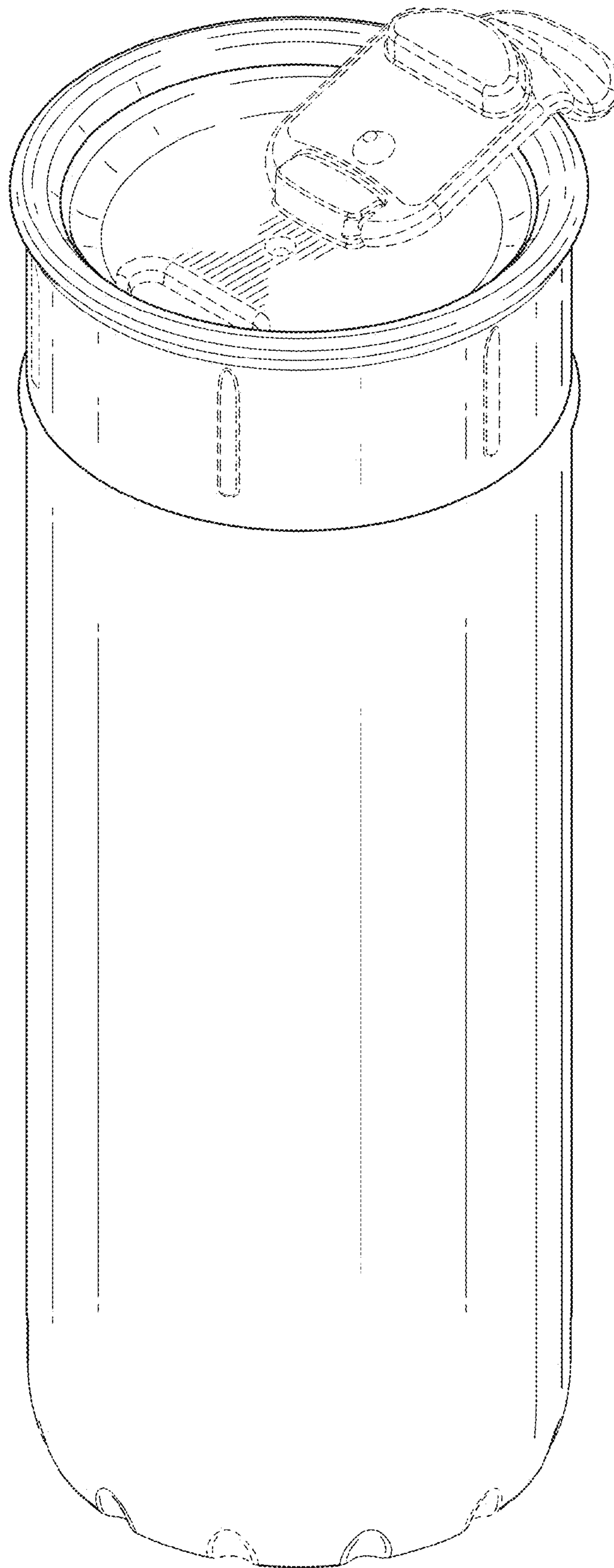


FIG. 9

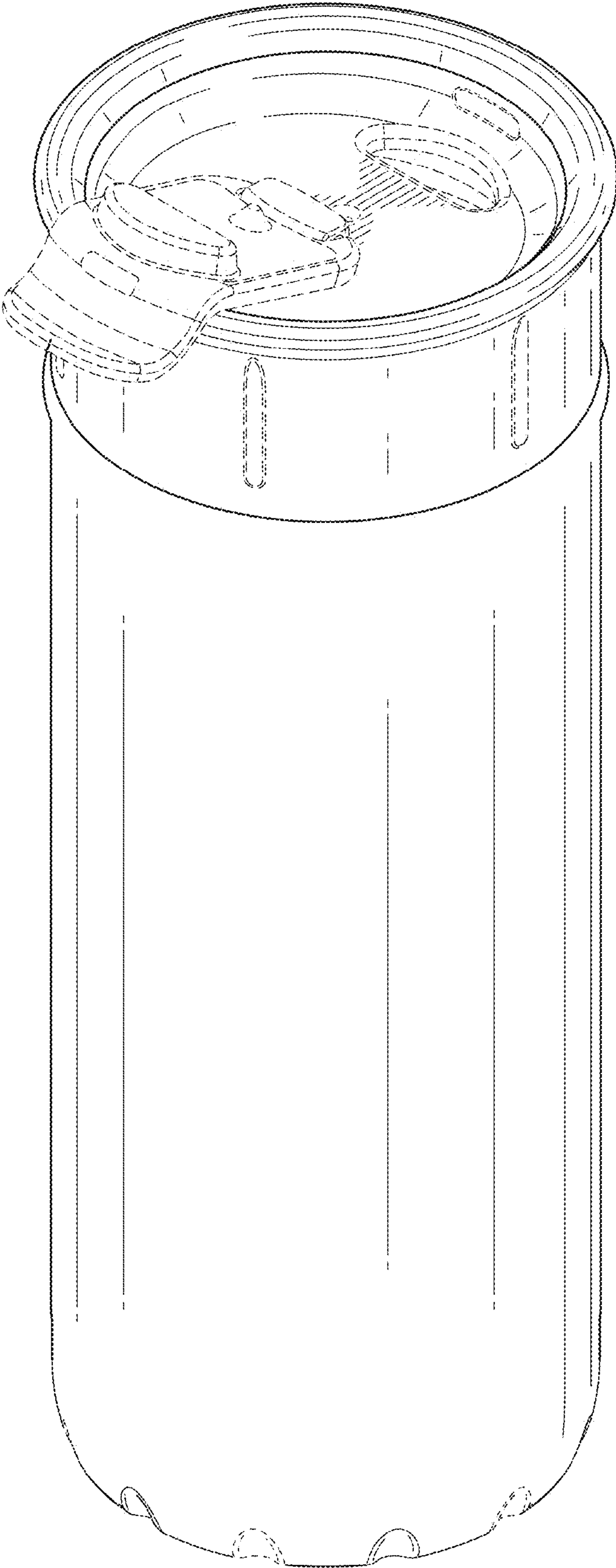


FIG. 10