



US00D884422S

(12) **United States Design Patent**
Zhong

(10) **Patent No.:** **US D884,422 S**
(45) **Date of Patent:** **** May 19, 2020**

- (54) **MULTI-FUNCTION COOKING BASKET**
- (71) Applicant: **Ruiping Zhong**, Jiangxi (CN)
- (72) Inventor: **Ruiping Zhong**, Jiangxi (CN)
- (**) Term: **15 Years**
- (21) Appl. No.: **29/721,711**
- (22) Filed: **Jan. 22, 2020**
- (51) **LOC (12) Cl.** **07-02**
- (52) **U.S. Cl.**
USPC **D7/409; D7/354; D7/356; D7/360**
- (58) **Field of Classification Search**
USPC **D7/323, 332, 335-337, 354-355, D7/359-364, 387-388, 402, 407-409**
CPC **A21B 2/00; A21B 3/00; A21B 3/13; A21B 3/15; A21B 5/00; A21B 5/02; A23N 12/06; A23N 12/08; A23N 12/10; A47J 27/04; A47J 27/08; A47J 27/60; A47J 36/08; A47J 36/20; A47J 37/00; A47J 37/04; A47J 37/041; A47J 37/042; A47J 37/06; A47J 37/0688; A47J 37/0694; A47J 37/07; A47J 37/0704; A47J 37/10; A47J 37/1219; A47J 45/10; A47J 47/10; A47J 47/20; A47J 2037/00; A47J 2037/06; A47J 2037/0611; A47J 2037/07; A47J 2037/0786; A47J 2037/0795; F24C 15/10; F24C 15/12; F24C 15/14; F24C 15/16; F24C 15/164; F24C 15/18**
See application file for complete search history.

- 2,588,614 A * 3/1952 Capra A47J 36/20 99/410
 - 4,401,017 A * 8/1983 Feld A47J 36/20 126/369
 - 4,626,352 A * 12/1986 Massey A47J 36/08 210/469
 - D296,287 S * 6/1988 Mueller D7/356
 - 5,918,535 A * 7/1999 Moreau A47J 45/10 294/26
 - 5,988,050 A * 11/1999 Foster, Jr. A47J 47/10 210/241
 - 6,103,291 A * 8/2000 Fernandez Tapia A47J 27/04 426/523
 - 6,269,737 B1 * 8/2001 Rigney A47J 27/04 126/369
 - 6,711,992 B1 3/2004 McLemore
 - 6,941,857 B2 9/2005 McLemore
- (Continued)

OTHER PUBLICATIONS

<https://www.restaurantsupply.com/winco-alsb-60-60-qt-aluminum-steamer-basket> Winco ALSB-60 60 qt. Aluminum Steamer Basket, www.restaurantsupply.com Submitted 2 years ago (Year: 2018).
(Continued)

Primary Examiner — Ricky Pham

(57) **CLAIM**

The ornamental design for a multi-function cooking basket, as shown and described.

DESCRIPTION

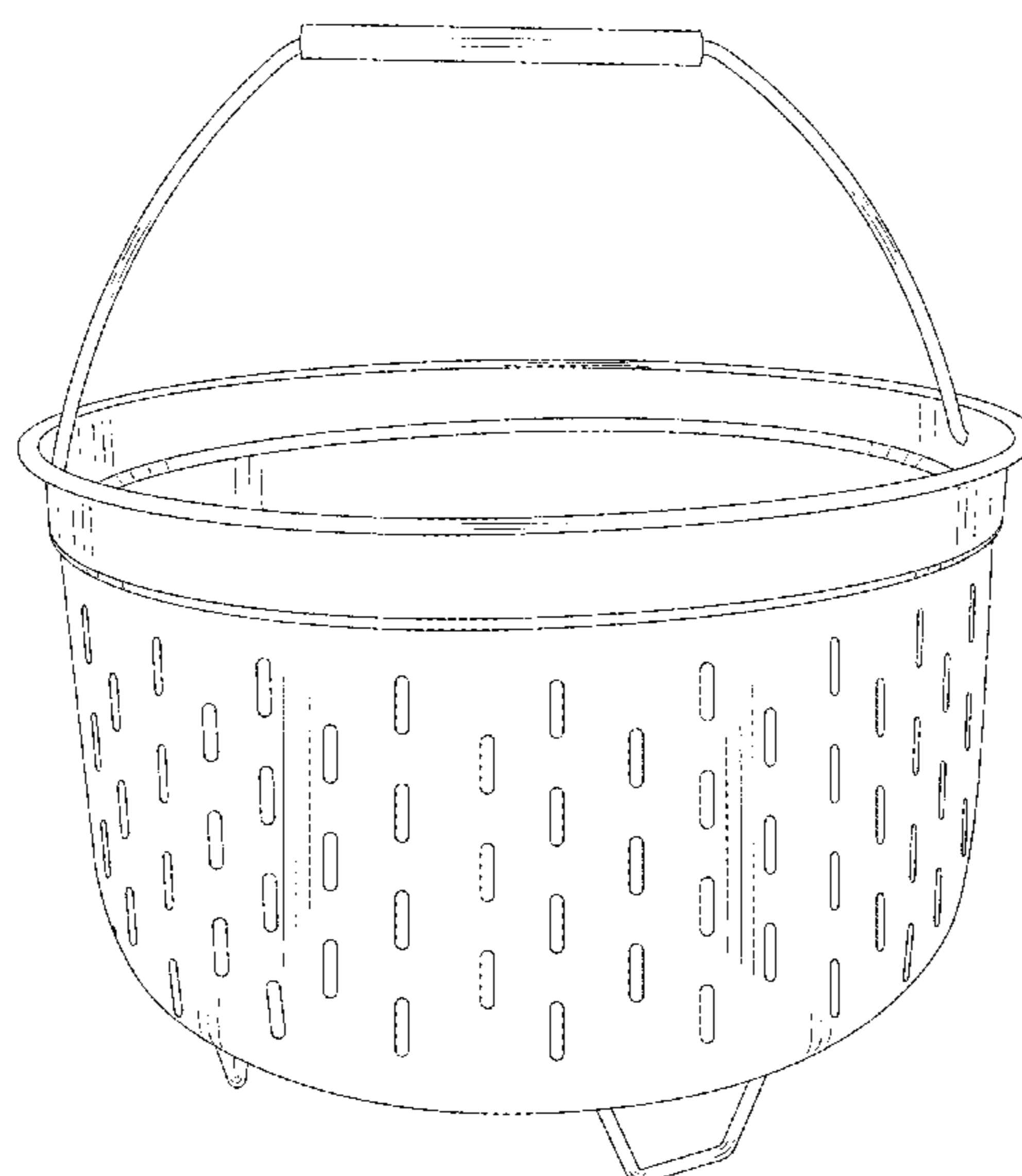
FIG. 1 is a perspective view of a multi-function cooking basket showing my new design;
FIG. 2 is a front elevational view thereof;
FIG. 3 is a right side elevational view thereof;
FIG. 4 is a left side elevational view thereof;
FIG. 5 is a rear elevational view thereof;
FIG. 6 is a top plan view thereof; and,
FIG. 7 is a bottom plan view thereof.

1 Claim, 7 Drawing Sheets

(56) **References Cited**

U.S. PATENT DOCUMENTS

- 217,378 A * 7/1879 Hodges A47J 37/1219 99/414
- 1,272,222 A * 7/1918 Clayton A47J 27/60 99/418
- 1,394,612 A * 10/1921 Dernell A47J 37/1219 99/414



(56)

References Cited

U.S. PATENT DOCUMENTS

D536,928 S 2/2007 Kearney et al.
D611,300 S 3/2010 Chen et al.
D771,997 S 11/2016 Affatato et al.
D850,200 S 6/2019 Jiang
D865,445 S * 11/2019 Lin D7/409
D869,903 S 12/2019 Zhong
2005/0092762 A1 * 5/2005 Murat A47J 27/08
220/759

OTHER PUBLICATIONS

https://www.amazon.co.uk/Stainless-Vegetable-Steamer-Pressure-Vegetables/dp/B07DFGZ4K4?ref=fsclp_pl_dp_12 Steamer Basket, Instant Pot 304 Stainless Steel Rice Cooker Pressure Cooker for Cooking Vegetables and Food, www.amazon.co.uk Date First Available May 30, 2018 (Year: 2018).

* cited by examiner

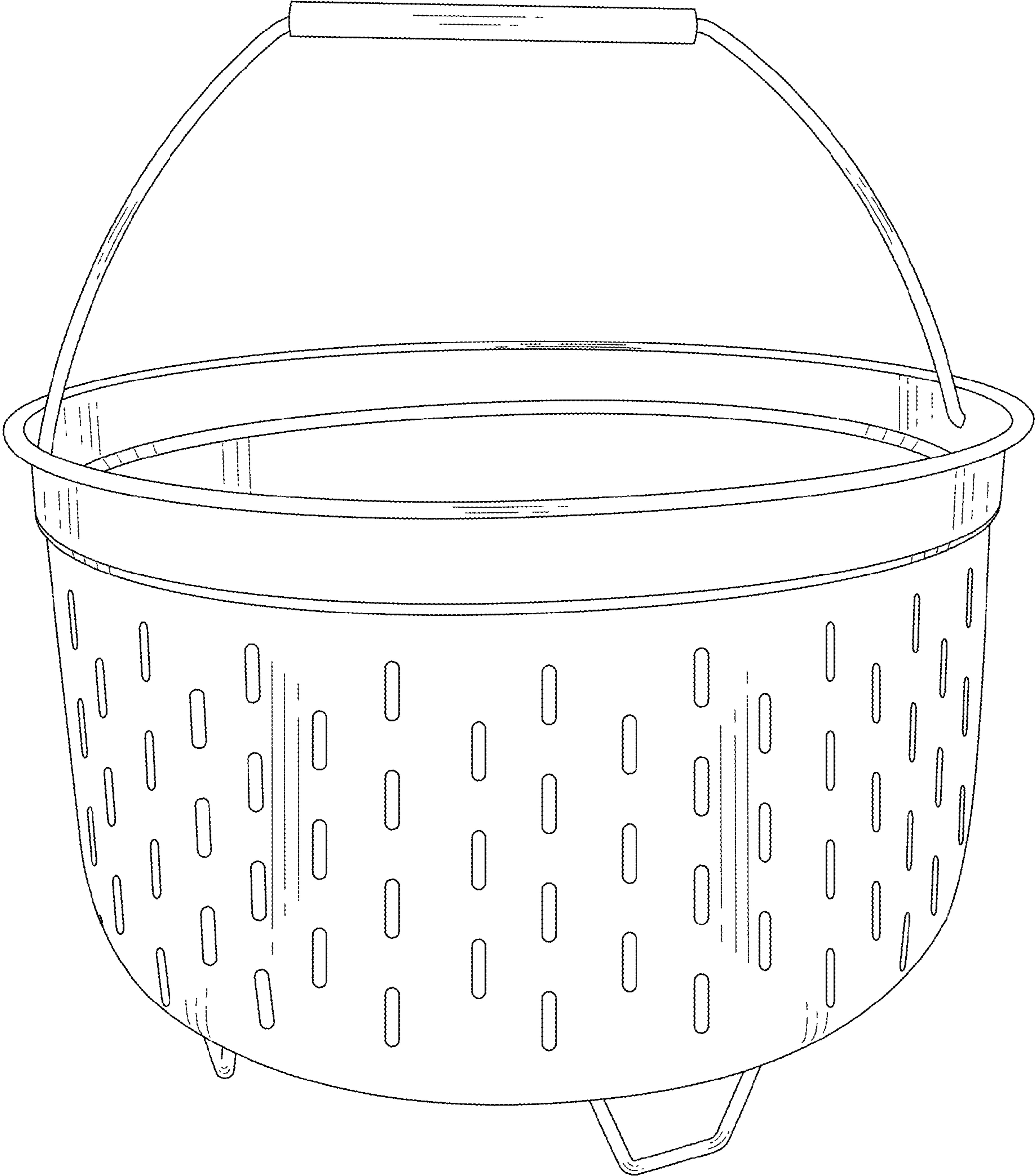


FIG.1

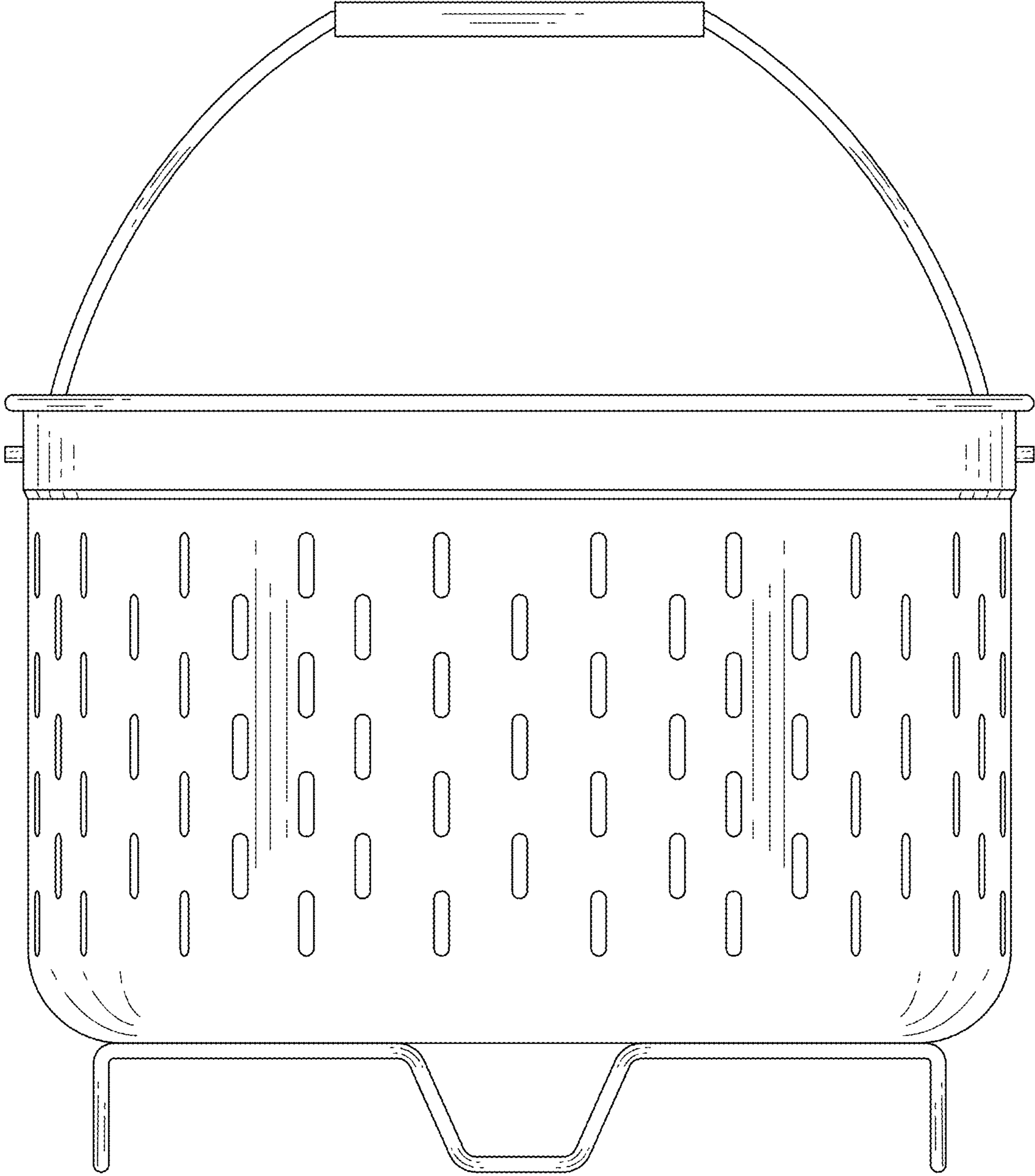


FIG.2

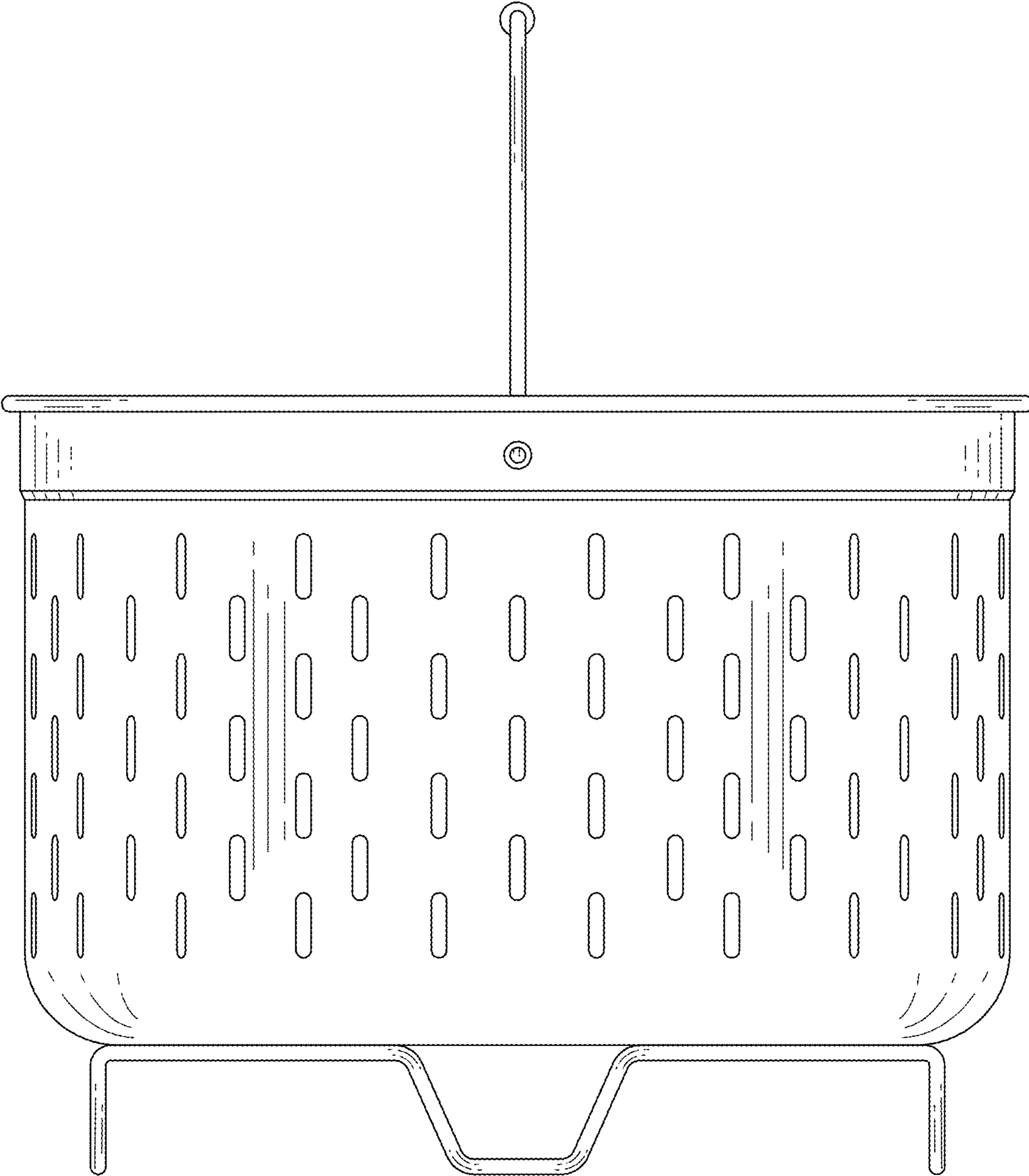


FIG.3

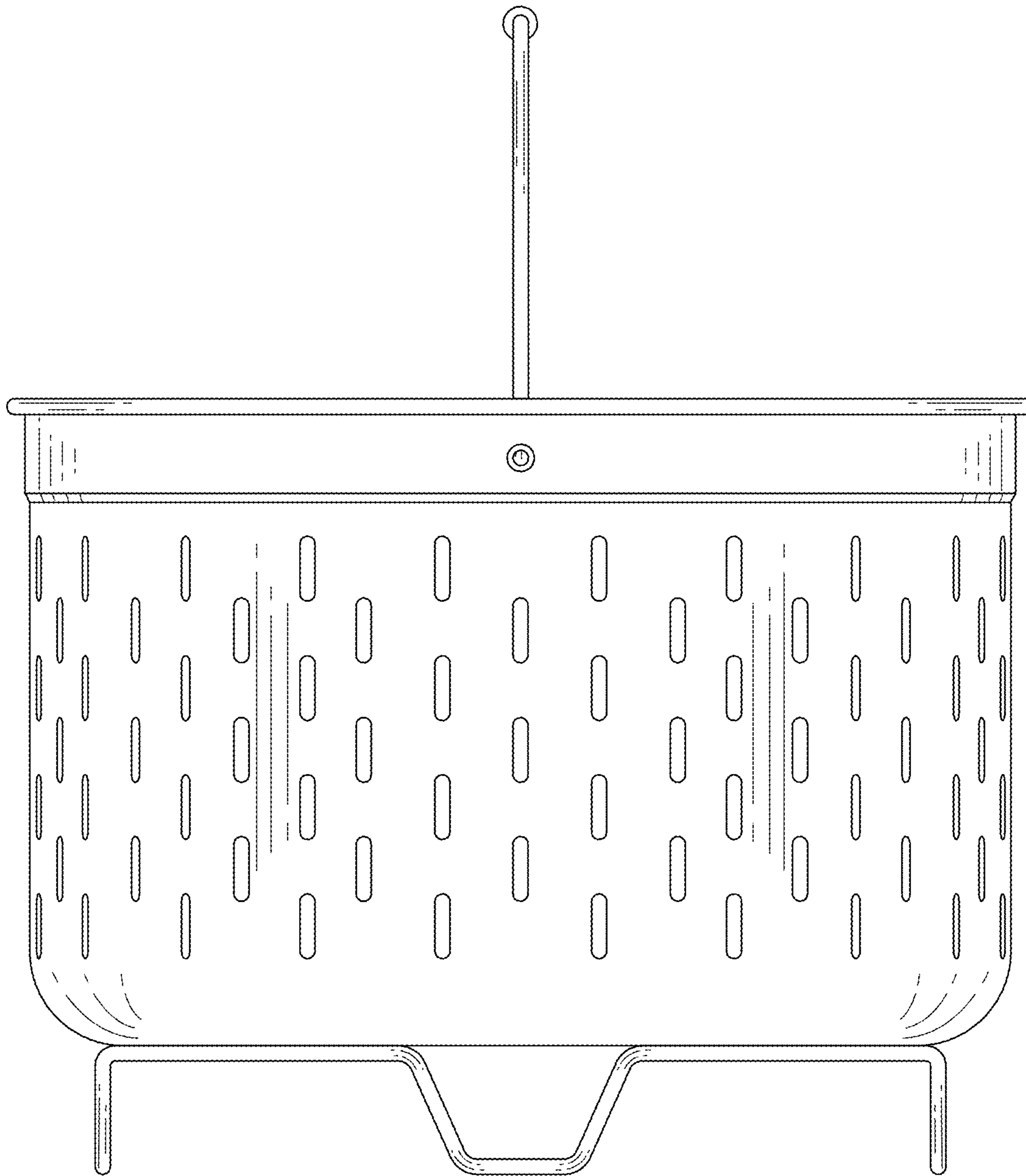


FIG.4

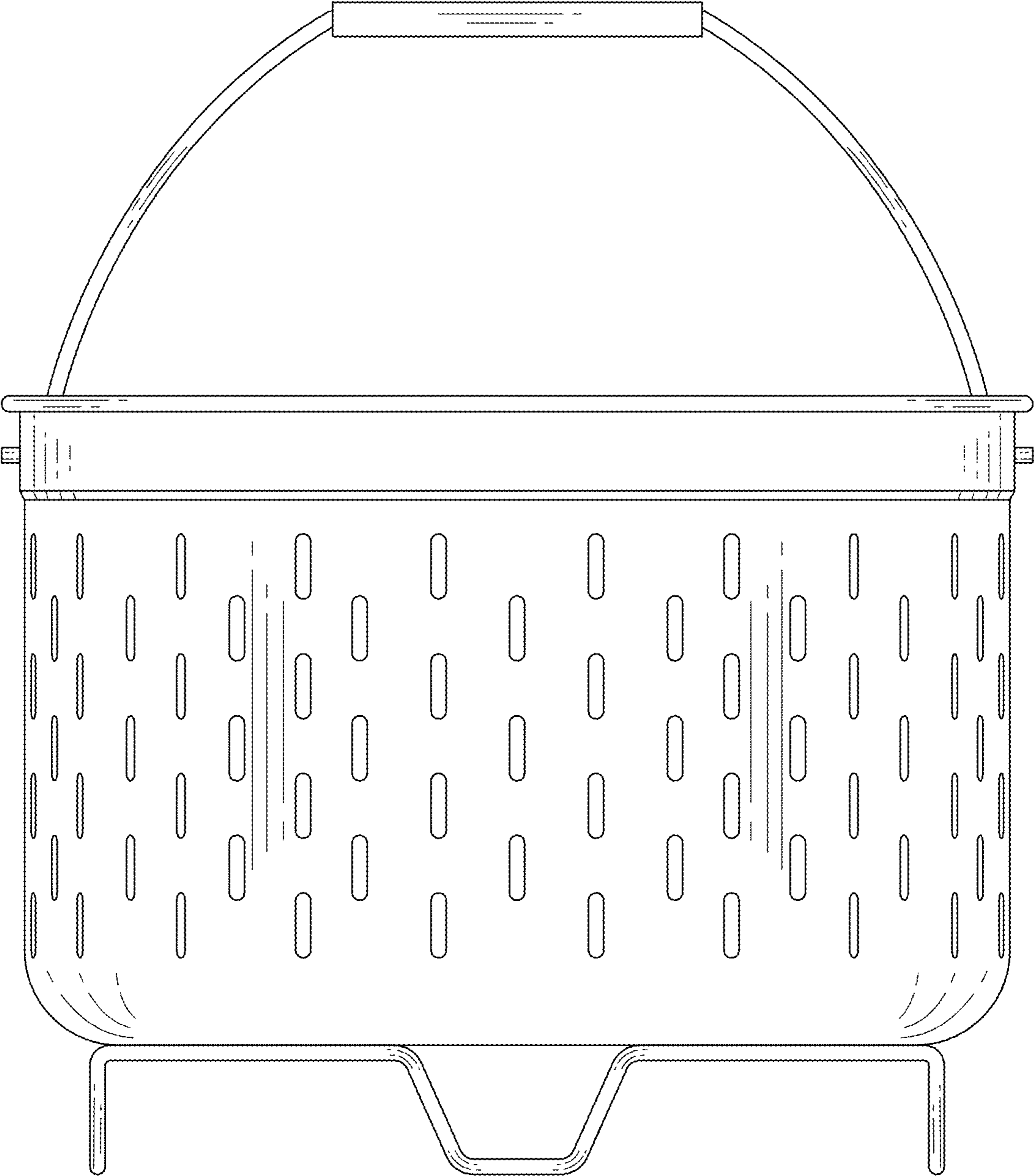


FIG.5

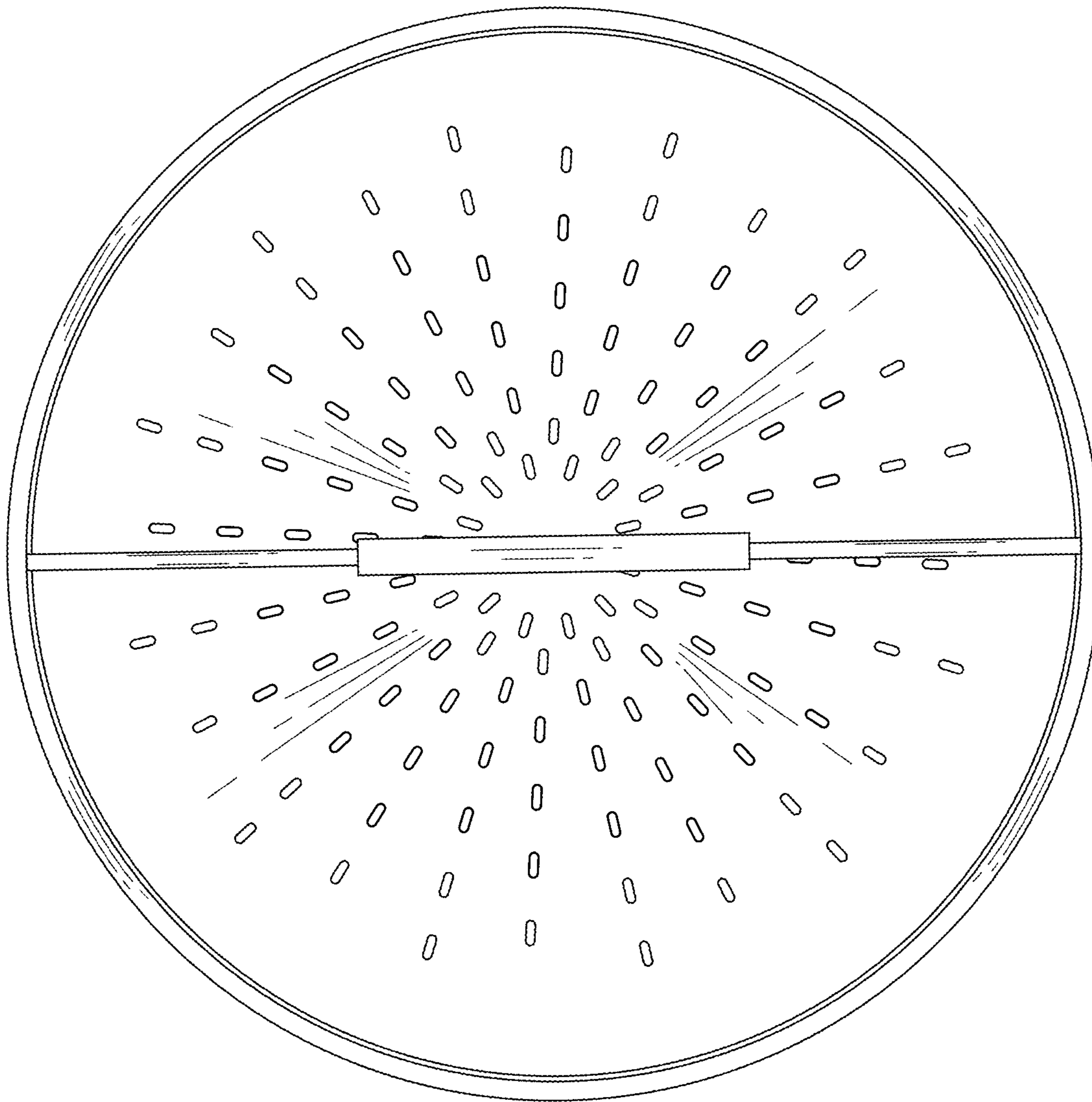


FIG.6

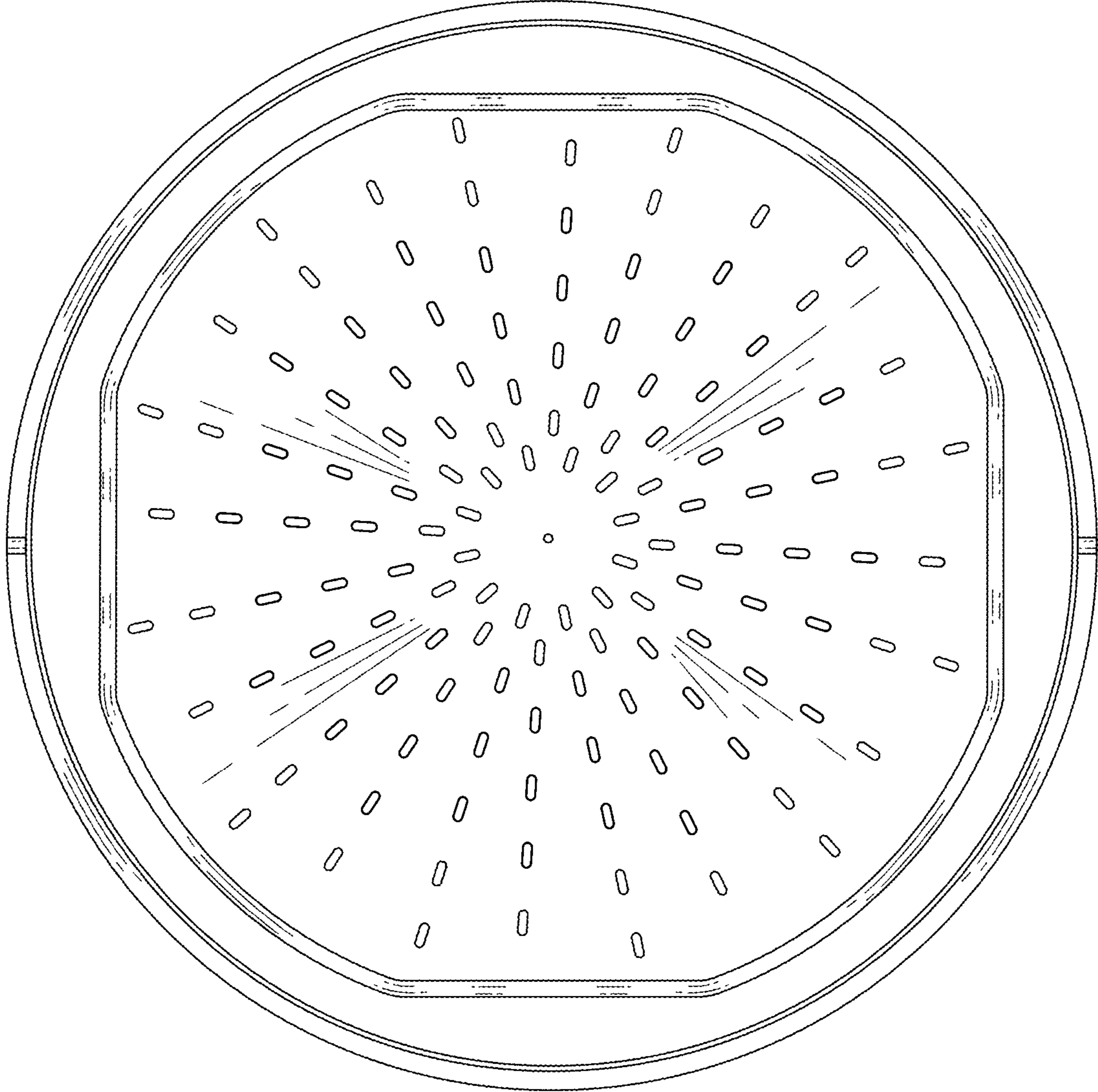


FIG.7