



US00D884420S

(12) **United States Design Patent** (10) **Patent No.:** **US D884,420 S**
McLean et al. (45) **Date of Patent:** **** May 19, 2020**

(54) **BREWING APPARATUS** 8,973,776 B1 * 3/2015 Buck A47G 19/2272
220/521
(71) Applicant: **ESPRO, Inc.**, Vancouver (CA) D740,067 S * 10/2015 Katz D7/399
D741,025 S * 10/2015 Ross D30/121
(72) Inventors: **Christopher R. McLean**, Vancouver D750,935 S * 3/2016 Cook D7/399
(CA); **Bruce A. Constantine**, North 9,320,386 B2 * 4/2016 Hulett A23F 5/262
Attleboro, MA (US) D761,624 S * 7/2016 McLean D7/507
D797,503 S * 9/2017 Robotti D7/400
D815,925 S * 4/2018 Rapparini D9/500
(73) Assignee: **Espro, Inc.**, Vancouver, BC (CA) D823,033 S * 7/2018 Cailleton D7/300
D823,049 S * 7/2018 Neace, Jr. D7/399
D823,050 S * 7/2018 Neace, Jr. D7/399
(**) Term: **15 Years** (Continued)

(21) Appl. No.: **29/663,014** *Primary Examiner* — Marianne N Pandozzi
(22) Filed: **Sep. 11, 2018** (74) *Attorney, Agent, or Firm* — Winthrop & Weinstine, P.A.

Related U.S. Application Data

(63) Continuation-in-part of application No. 29/639,985, filed on Mar. 9, 2018.
(51) **LOC (12) Cl.** **07-99**
(52) **U.S. Cl.**
USPC **D7/400; D7/397**
(58) **Field of Classification Search**
USPC D7/397, 399, 400, 507, 505; D9/429
CPC A47J 36/027; A47J 31/0621; A47J 31/02
See application file for complete search history.

References Cited

U.S. PATENT DOCUMENTS

(56) 4,697,503 A * 10/1987 Okabe A47J 31/02
426/82
5,010,221 A * 4/1991 Grossman A47J 36/027
219/689
D332,891 S * 2/1993 Cumberland D12/419
5,249,509 A * 10/1993 English A47J 31/0621
99/285
D345,880 S * 4/1994 Classen D7/305
D397,911 S * 9/1998 Waldmann D7/347
8,596,491 B2 * 12/2013 Buck A47G 19/2205
206/815
D700,475 S * 3/2014 Avigdor D7/400

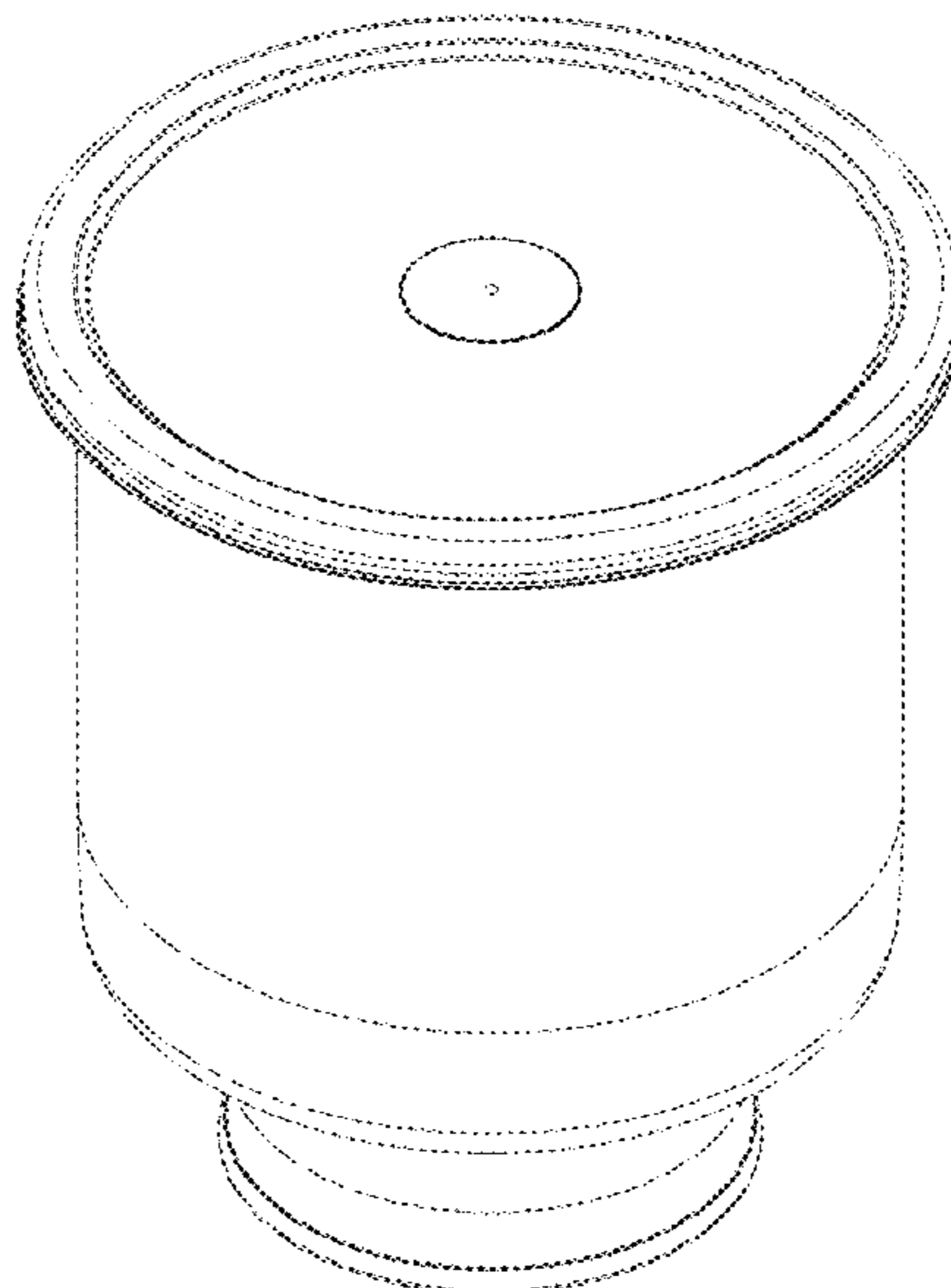
(57) **CLAIM**

The ornamental design for a brewing apparatus, as shown and described.

DESCRIPTION

FIG. 1 is a front view of a brewing apparatus showing our new design;
FIG. 2 is a left side view thereof;
FIG. 3 is a right side view thereof;
FIG. 4 is a rear view thereof;
FIG. 5 is a top plan view thereof;
FIG. 6 is a bottom plan view thereof;
FIG. 7 is a top, front perspective view thereof;
FIG. 8 is a top rear perspective view thereof;
FIG. 9 is a top right side perspective view thereof;
FIG. 10 is a top left side perspective view thereof;
FIG. 11 is another top front perspective view thereof front a second angle;
FIG. 12 is another top rear perspective view thereof front a second angle;
FIG. 13 is a bottom front perspective view thereof; and,
FIG. 14 is a bottom rear perspective view thereof.

1 Claim, 12 Drawing Sheets



(56)

References Cited

U.S. PATENT DOCUMENTS

D823,051 S * 7/2018 Sharma D9/503
D831,396 S * 10/2018 Yoon D7/300
D841,395 S * 2/2019 Adams, Jr. D7/400
D845,705 S * 4/2019 Simonazzi D7/400
D856,730 S * 8/2019 Pisarevsky D7/300
D858,196 S * 9/2019 Graham D7/507
D861,430 S * 10/2019 Yueh D7/507
2010/0263548 A1 * 10/2010 Kokatsu A47J 31/02
99/306
2011/0020497 A1 * 1/2011 Steven A23L 2/395
426/61
2016/0360918 A1 * 12/2016 Chen A23F 3/18
2017/0231418 A1 * 8/2017 Bebo A47J 31/06
99/323
2019/0208949 A1 * 7/2019 Tsigounis A47J 31/005
2019/0239676 A1 * 8/2019 Kirkham A47J 31/02

* cited by examiner

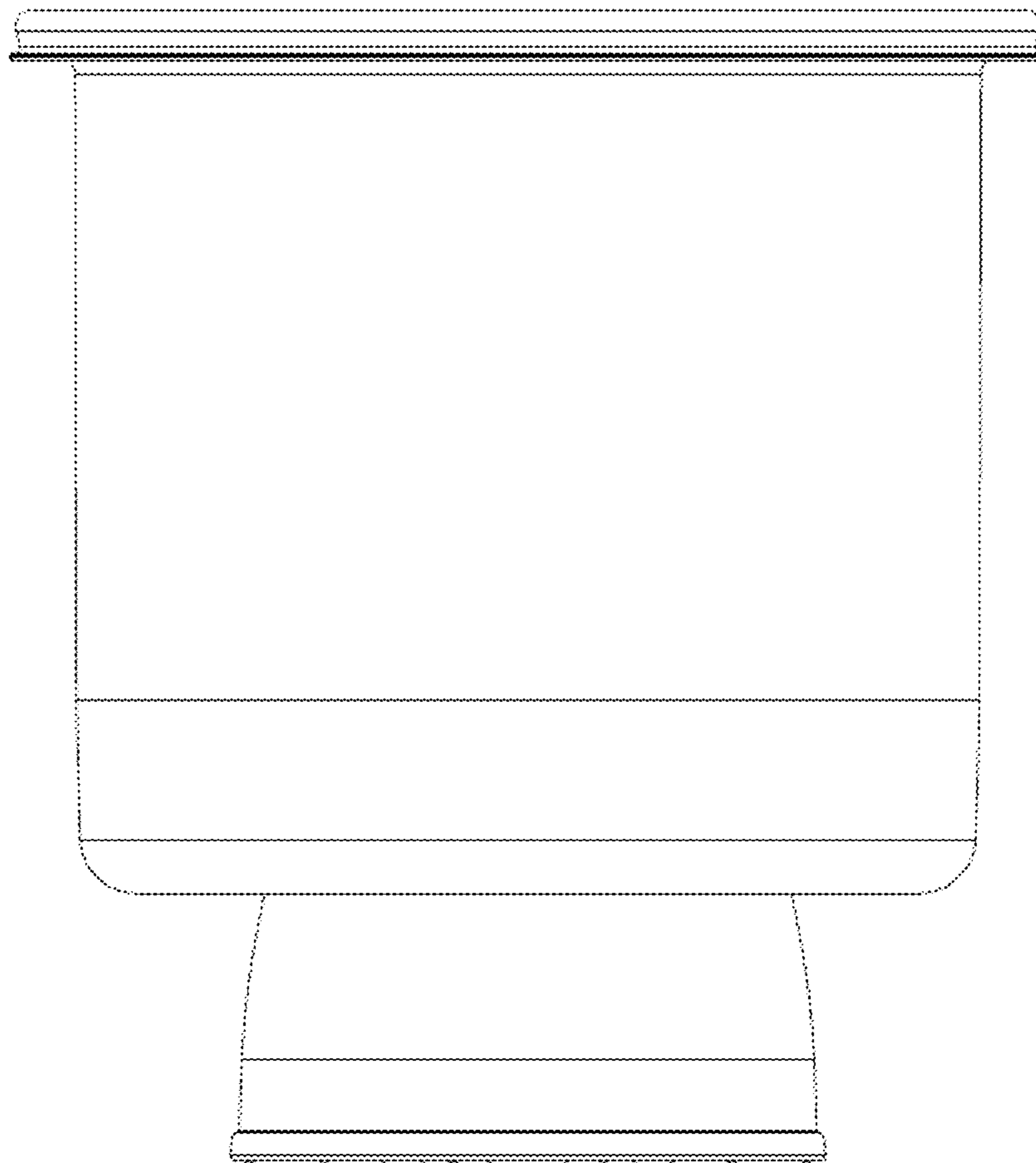


FIG. 1

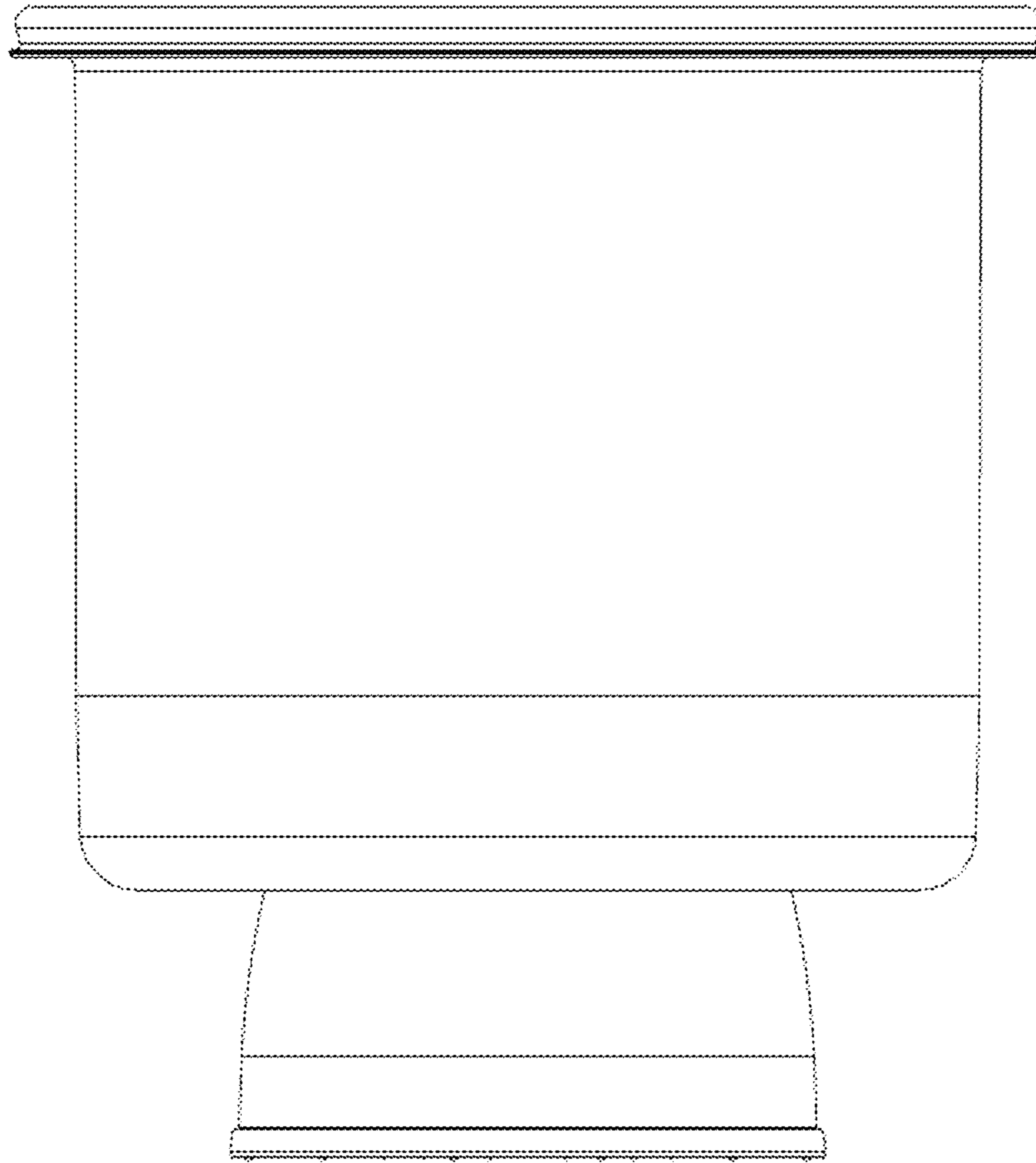


FIG. 2

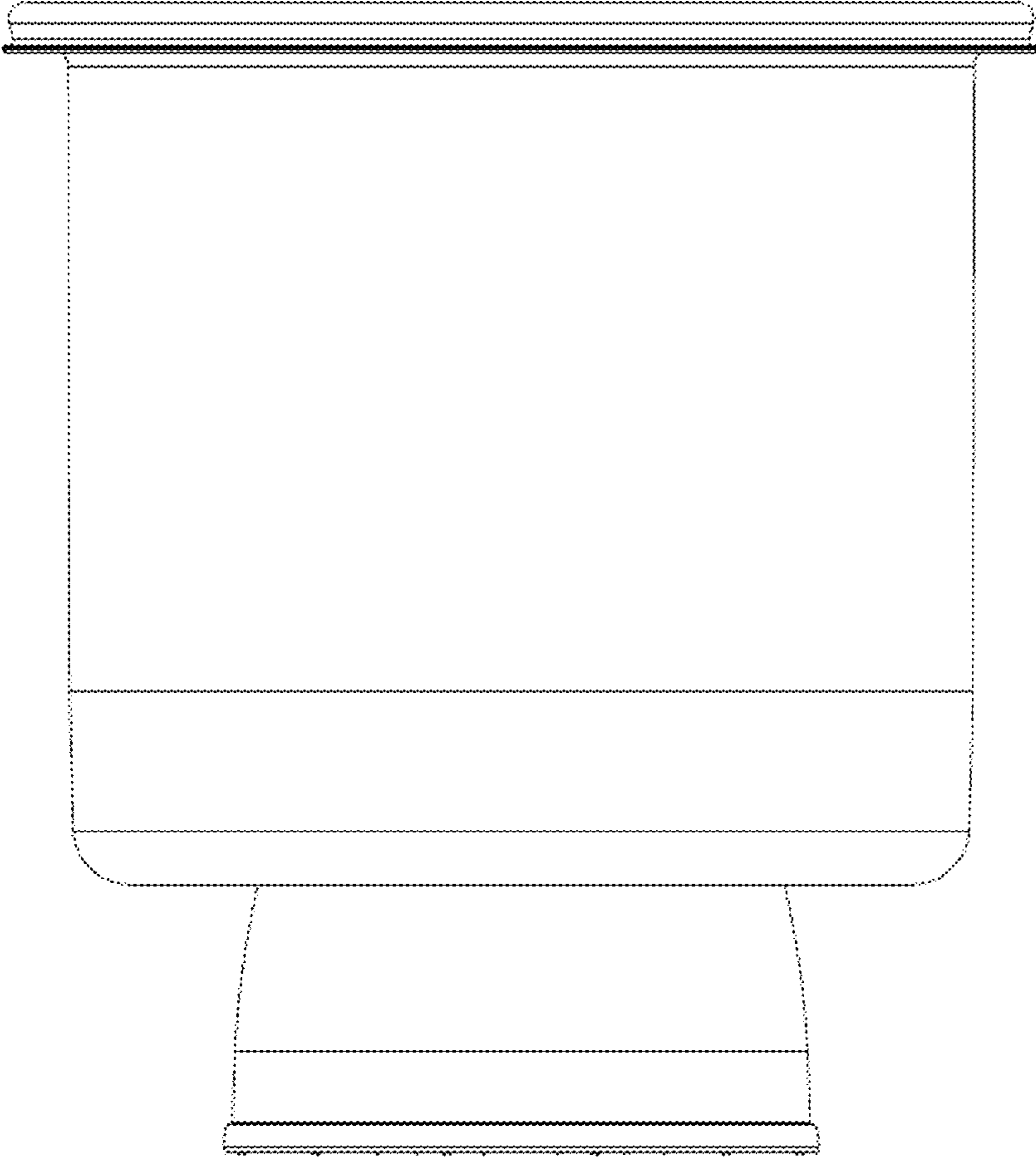


FIG. 3

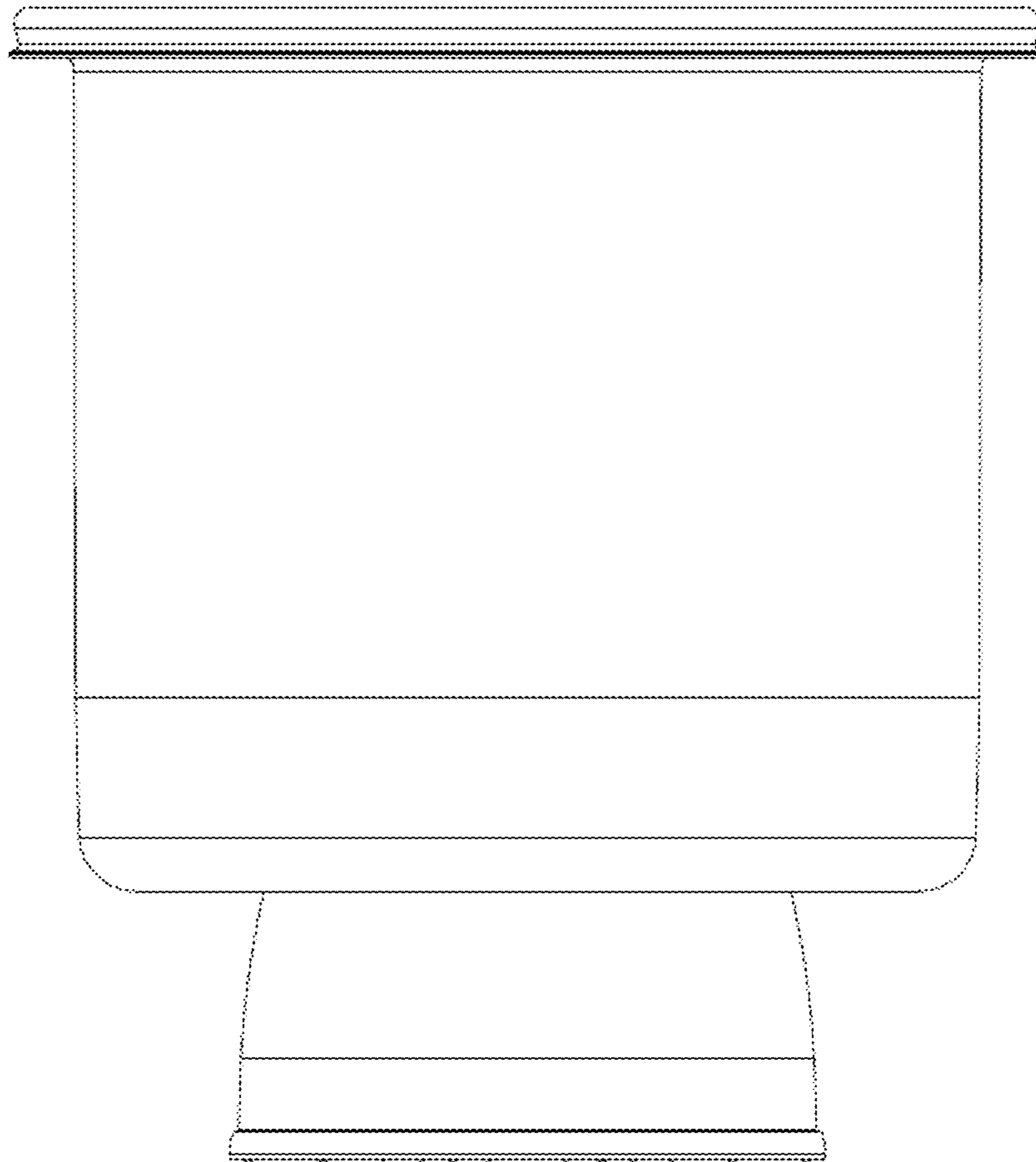


FIG. 4

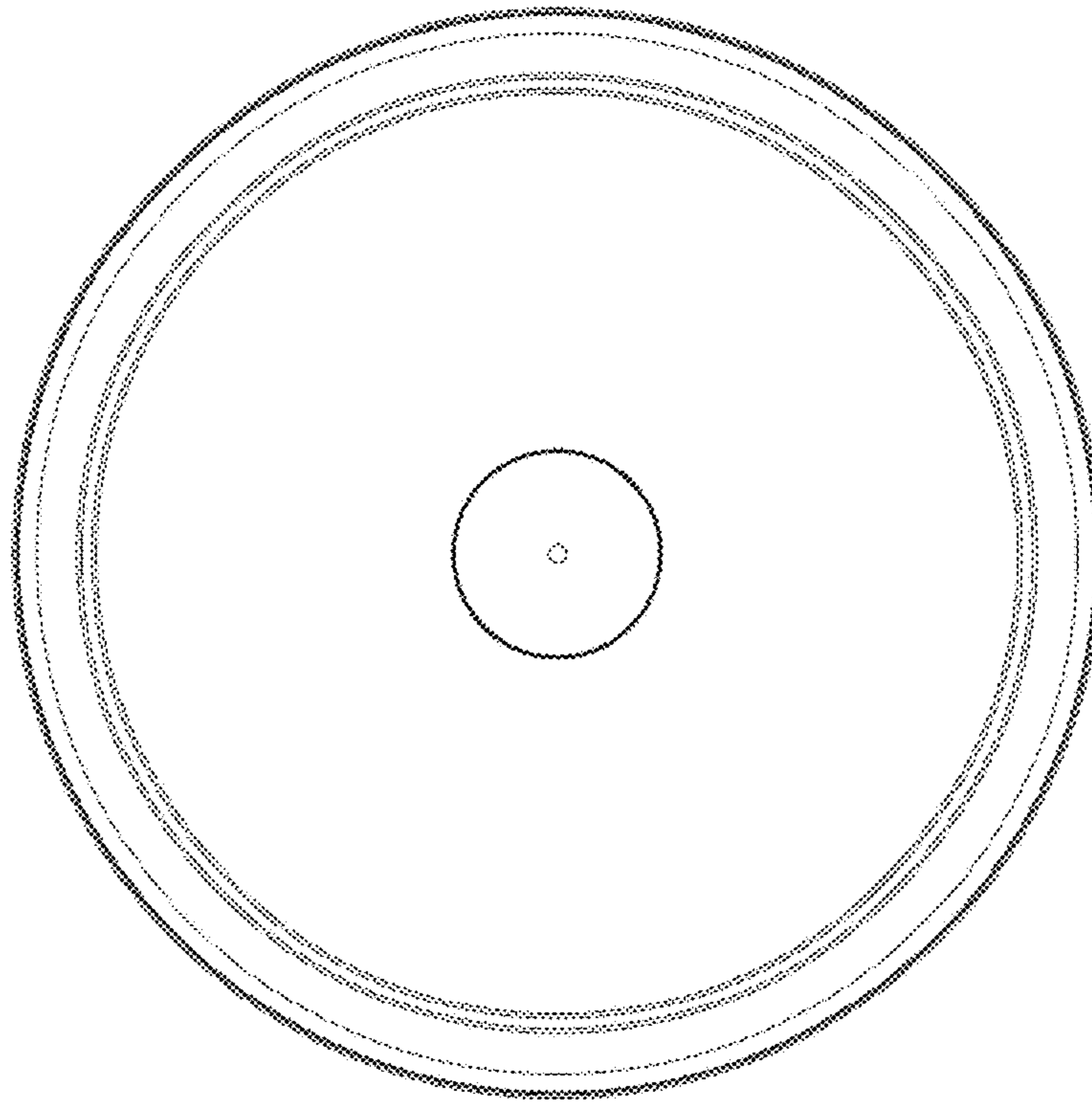


FIG. 5

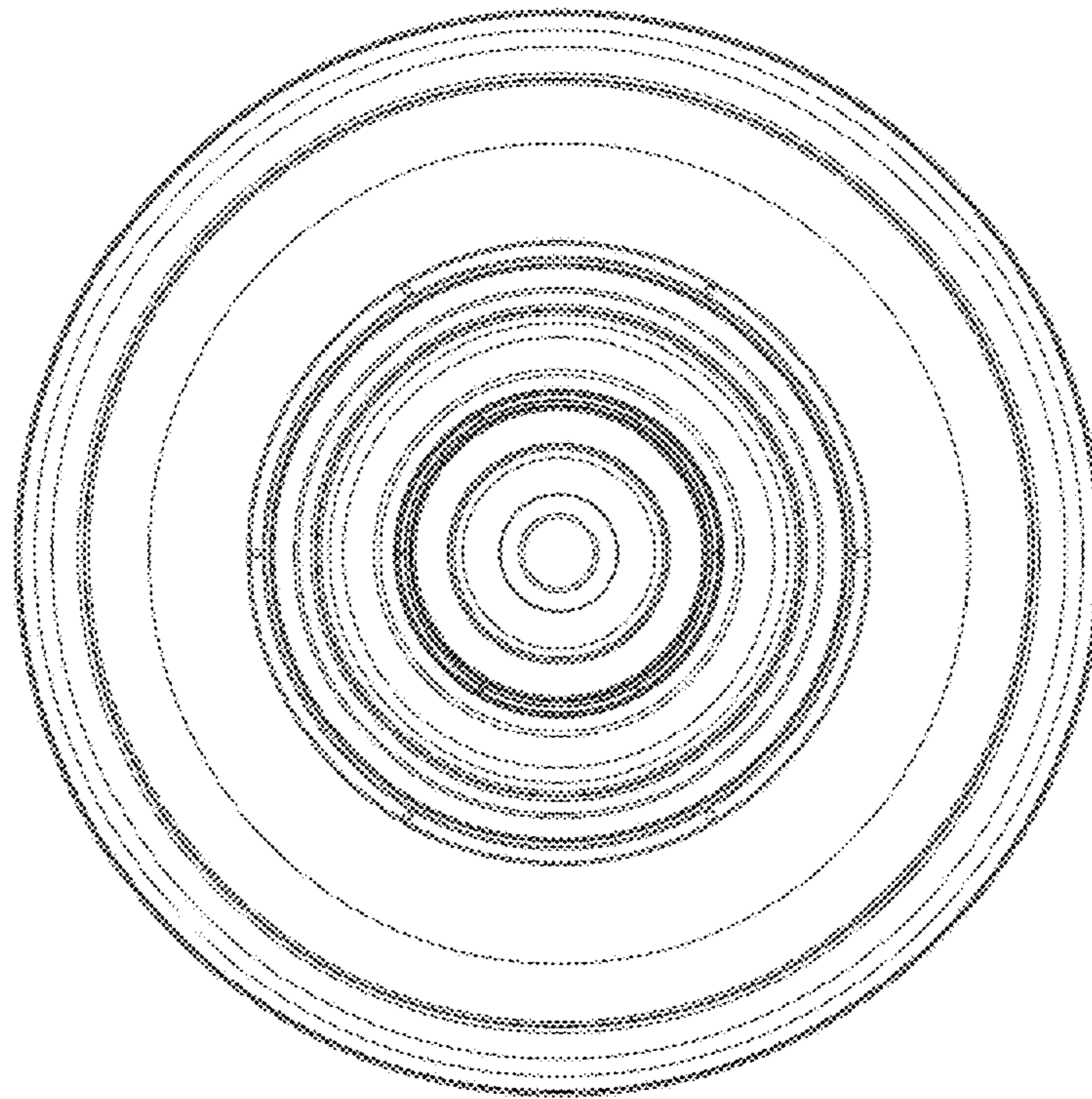


FIG. 6

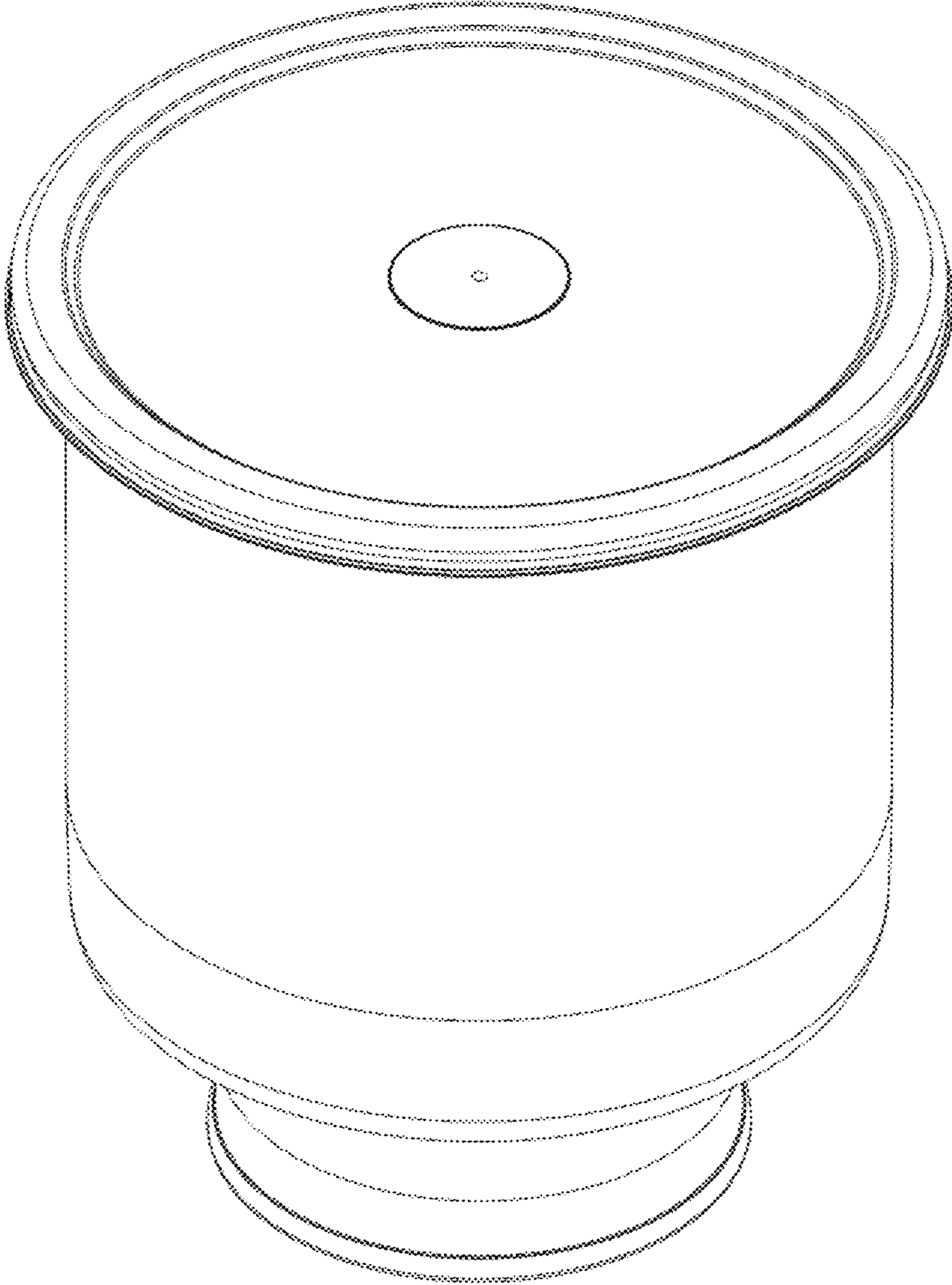


FIG. 7

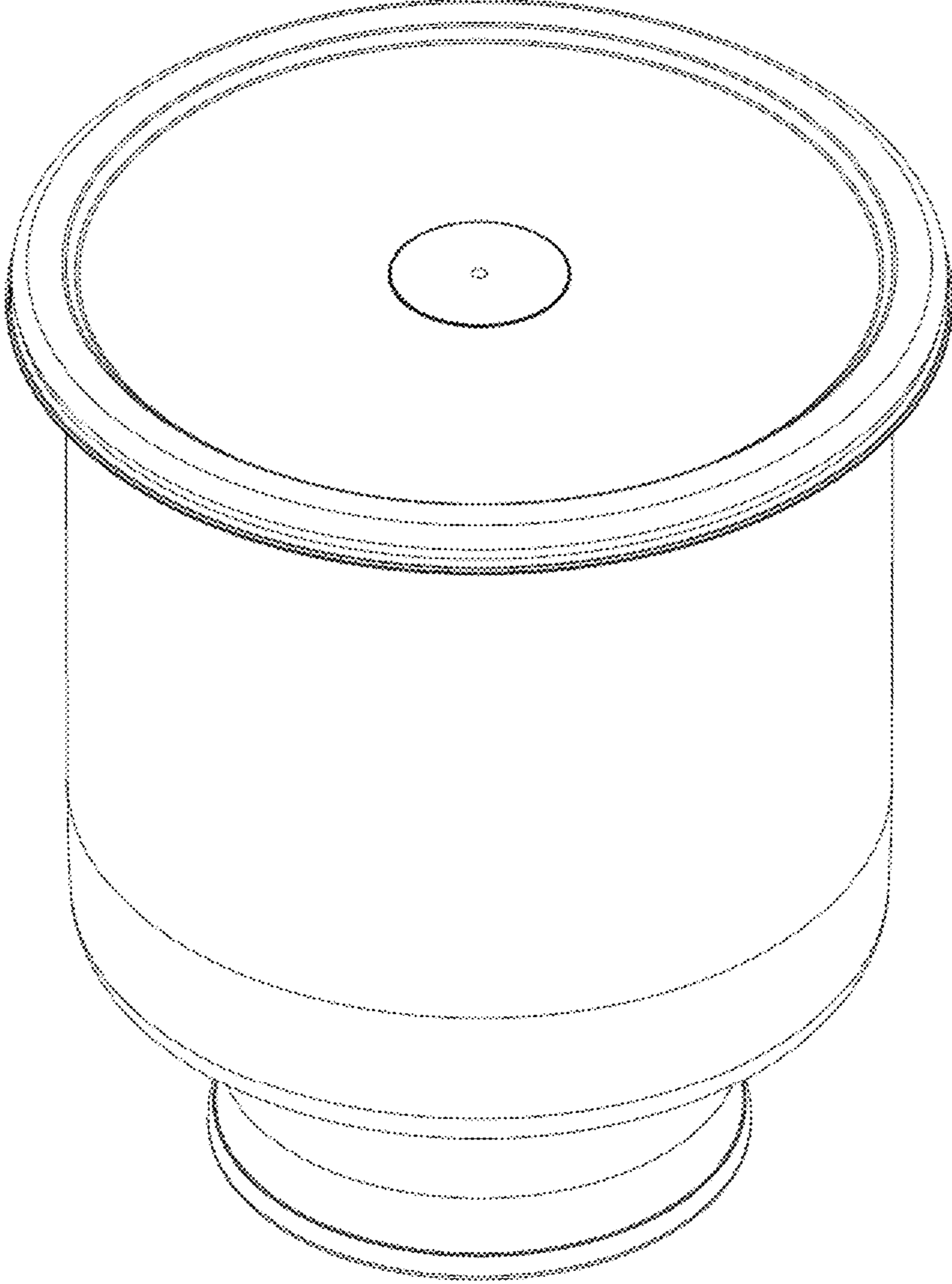


FIG. 8

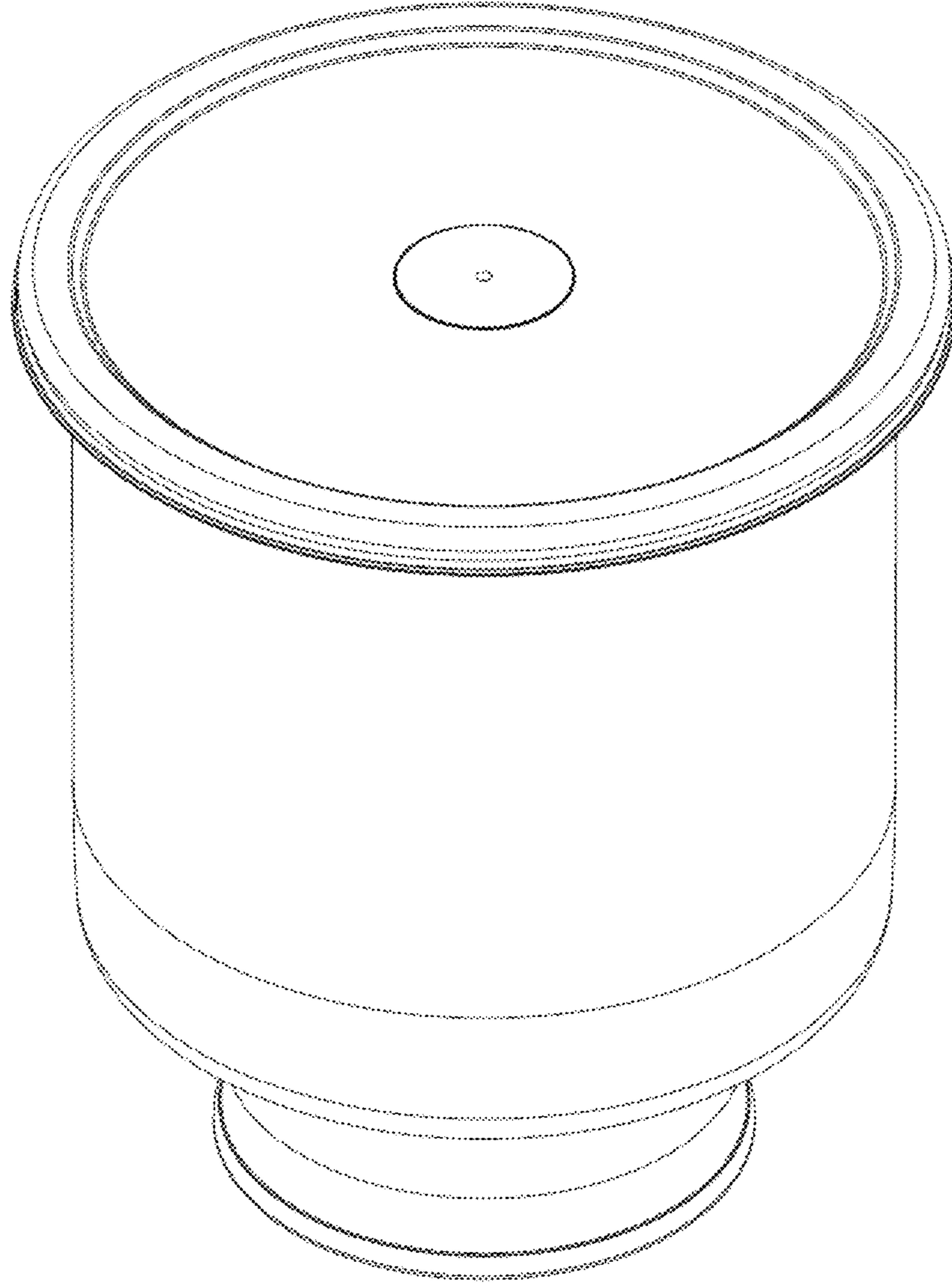


FIG. 9

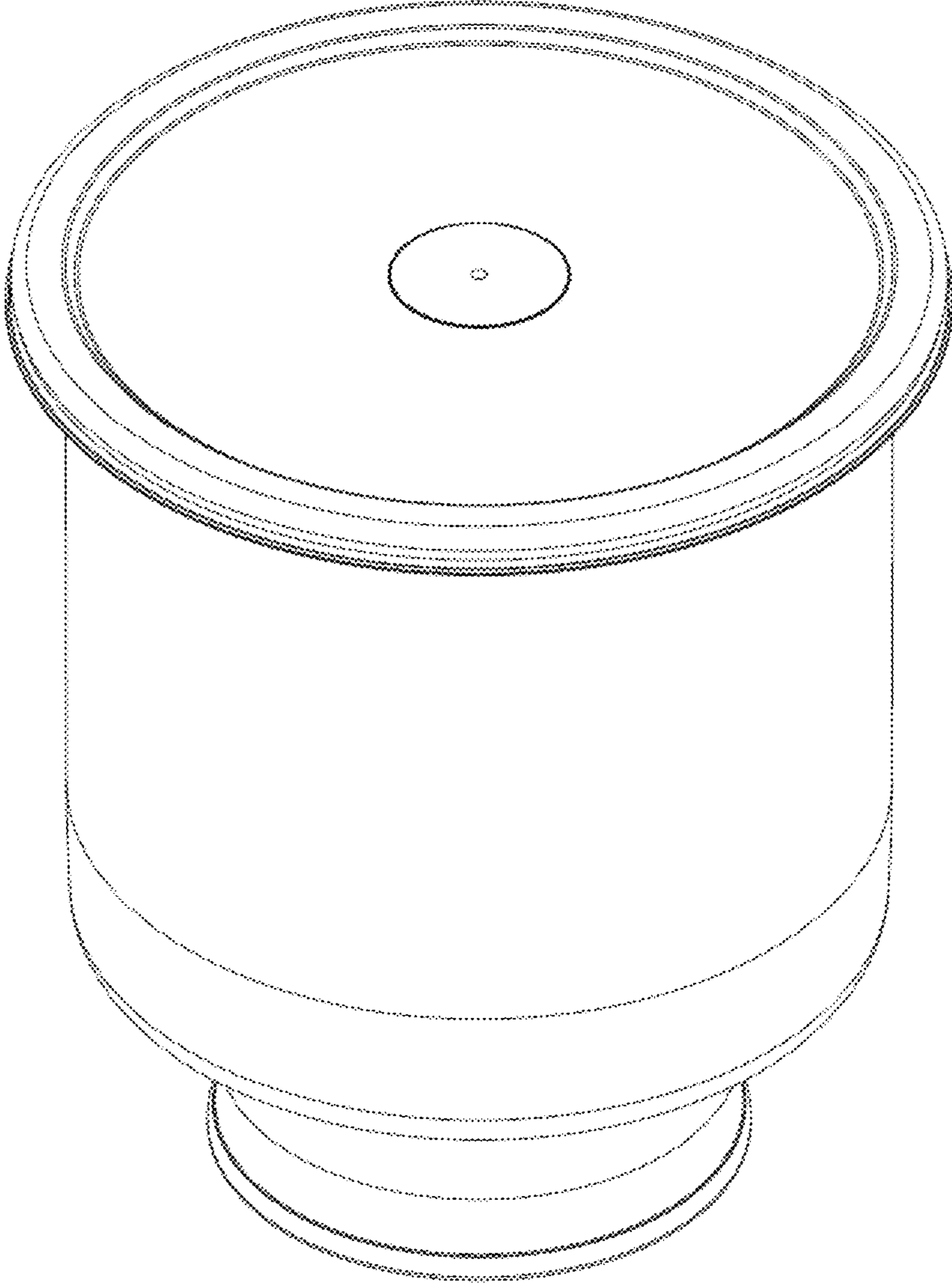


FIG.10

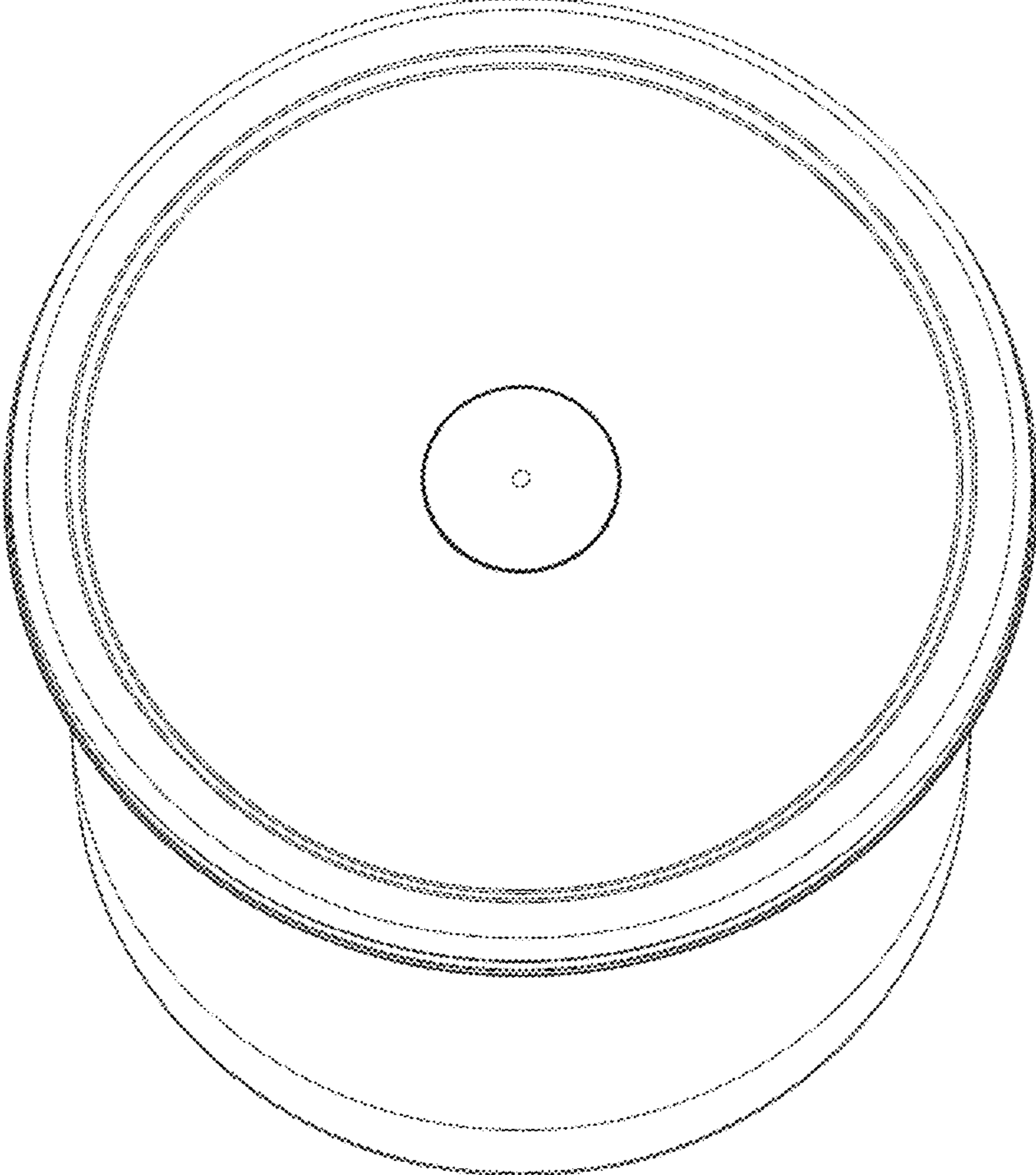


FIG.11

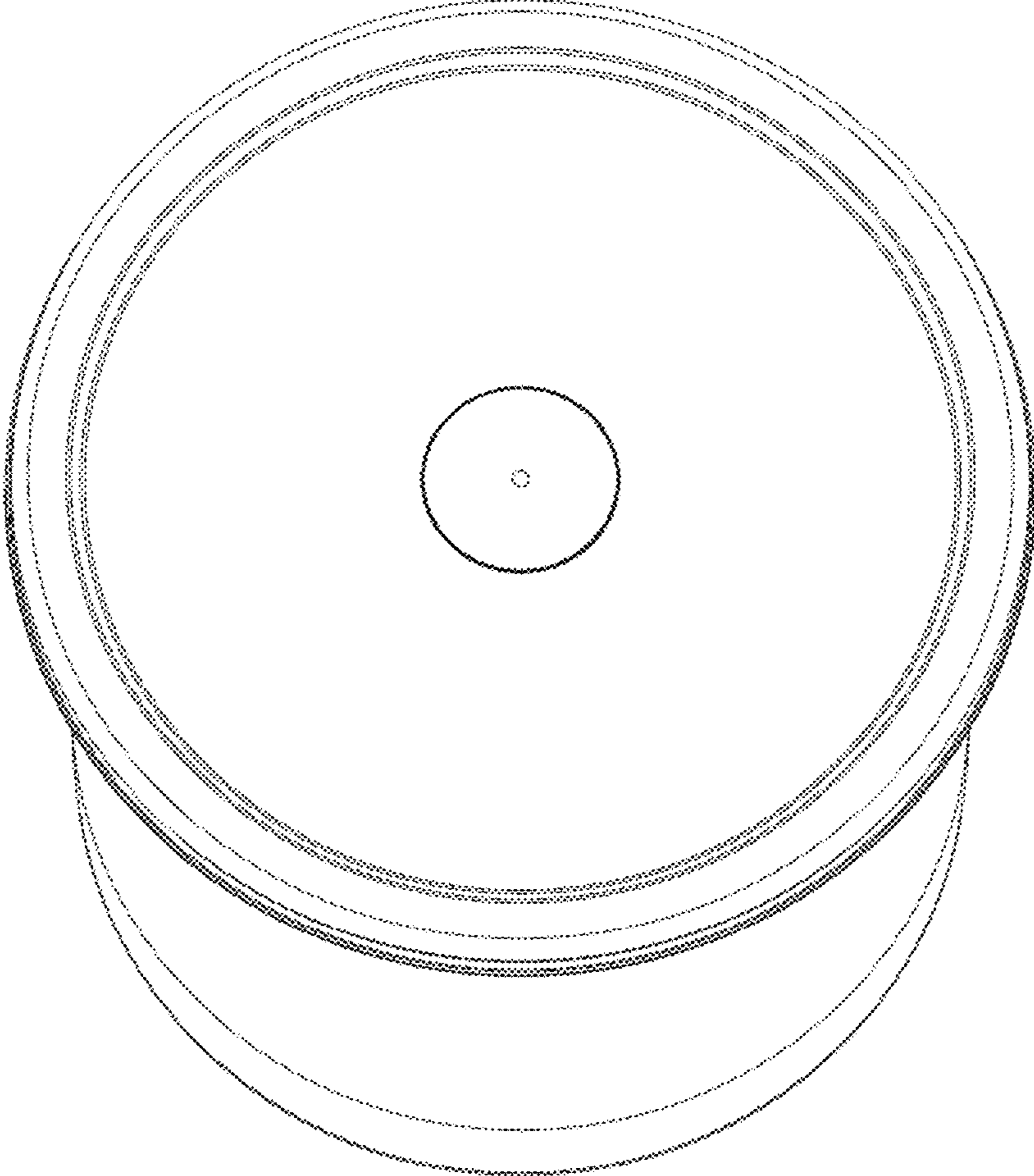


FIG.12

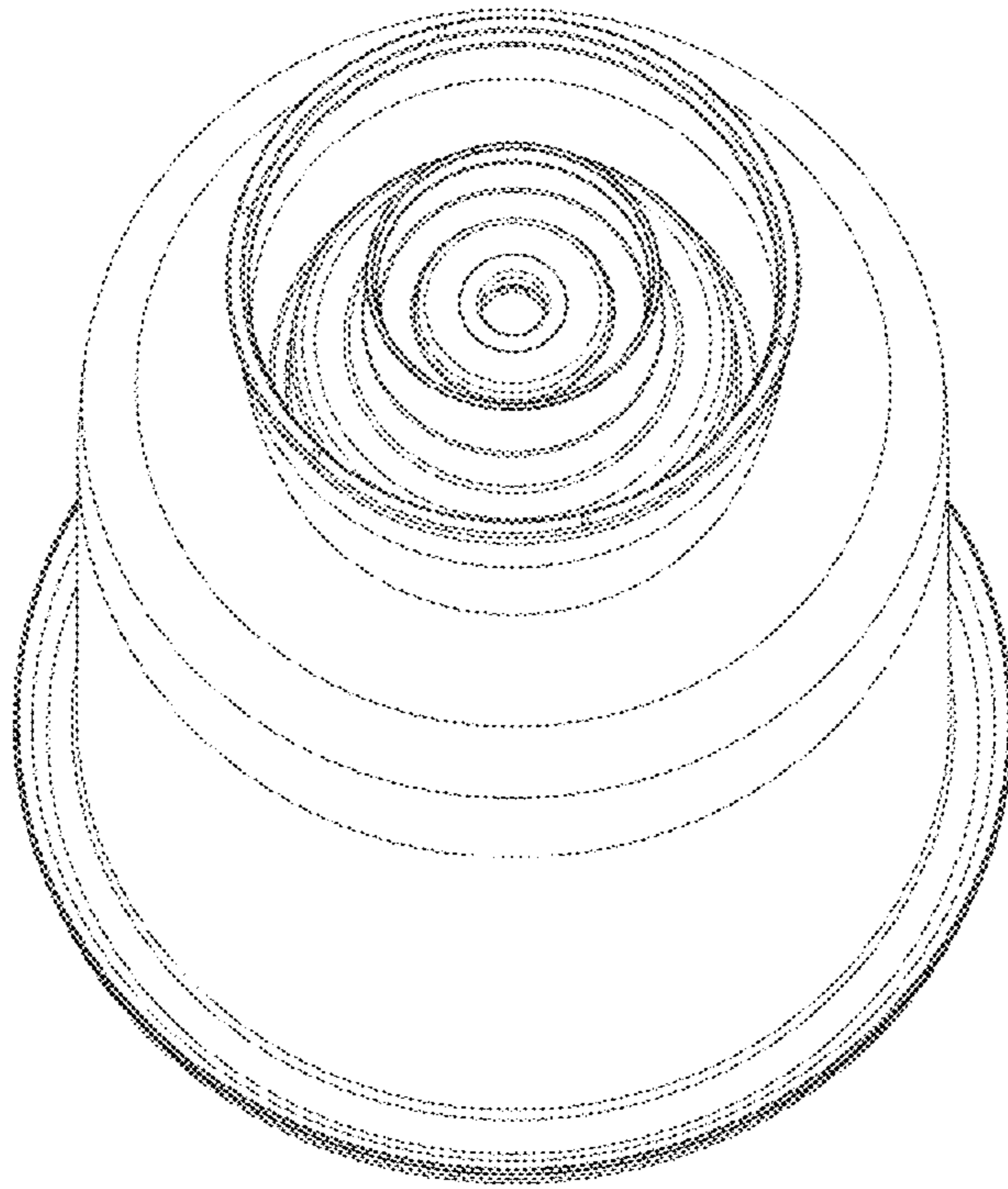


FIG.13

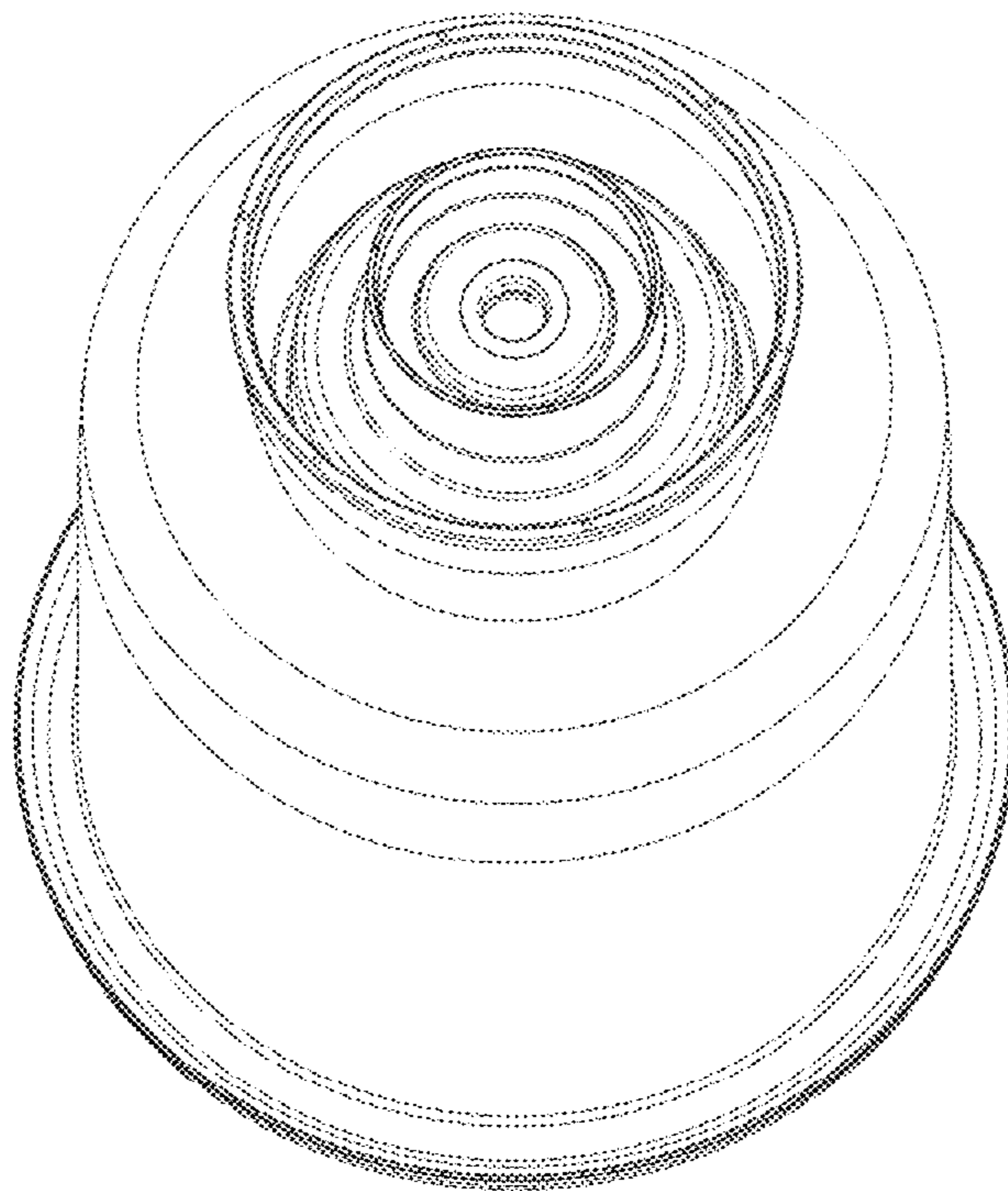


FIG.14