



US00D884418S

(12) **United States Design Patent**  
**Wang**

(10) **Patent No.:** **US D884,418 S**

(45) **Date of Patent:** **\*\* May 19, 2020**

(54) **WATER BOTTLE CAP**

81/38; A45D 2040/0043; A45D  
2040/0062; A45D 40/04; A45D 34/04;  
A45D 33/04

(71) Applicant: **Shen Zhen Xin Yue Tang Plastic &  
Hardware Co., Ltd**, Shenzhen (CN)

See application file for complete search history.

(72) Inventor: **Chunlei Wang**, Shenzhen (CN)

(56) **References Cited**

(73) Assignee: **SHEN ZHEN XIN YUE TANG  
PLASTIC & HARDWARE CO., LTD**,  
Shenzhen (CN)

U.S. PATENT DOCUMENTS

(\*\*) Term: **15 Years**

D116,676 S *	9/1939	Harnange	.....	D7/392
D378,273 S *	3/1997	Robbins, III	.....	D9/449
D379,434 S *	5/1997	Robbins, III	.....	D9/449
D543,454 S *	5/2007	Leoncavallo	.....	D9/449
D671,357 S *	11/2012	Trombly	.....	D7/392.1

(Continued)

(21) Appl. No.: **29/673,980**

(22) Filed: **Dec. 19, 2018**

OTHER PUBLICATIONS

(51) **LOC (12) Cl.** ..... **07-99**

Drinking Bottle: Site Visited [Jan. 4, 2020]. Available from Internet  
URL:[https://bottlefactory.en.alibaba.com/product/62395570070-804609695/1000ml\\_IL\\_1\\_Litre\\_33oz\\_Personalised\\_Large\\_Capacity\\_Clear\\_Tritan\\_Plastic\\_Drinking\\_Sports\\_Water\\_Bottles\\_With\\_Drinking\\_Spout.html?spm=a2700.icbuShop.41413.35.6b204534AU2ReG.\\*](https://bottlefactory.en.alibaba.com/product/62395570070-804609695/1000ml_IL_1_Litre_33oz_Personalised_Large_Capacity_Clear_Tritan_Plastic_Drinking_Sports_Water_Bottles_With_Drinking_Spout.html?spm=a2700.icbuShop.41413.35.6b204534AU2ReG.*)

(52) **U.S. Cl.**

USPC ..... **D7/396.2**

(58) **Field of Classification Search**

USPC ..... D3/10, 13, 17; D6/672, 677; D7/300,  
D7/317, 321, 387, 388.391, 392, 396.1,  
D7/396.6, 397, 398, 401.1, 403, 509, 538,  
D7/610, 619.1, 629, 672, 677, 601, 602,  
D7/624.1, 705, 708; D9/434, 435, 436,  
D9/438, 439, 440, 441, 442, 446, 447,  
D9/449, 451, 452, 453, 454, 455, 550,  
D9/560, 566, 516, 544, 573, 614, 618,  
D9/623, 686, 705, 708, 715-720, 730,  
D9/750, 751; D20/21, 31, 41, 42;  
D21/3, 621; D23/206, 259, 260;  
D24/121, 127, 199, 224; D28/4, 5, 73,  
D28/76, 91.1

CPC ..... B65D 83/06; B65D 2501/00; B65D  
2501/0009; B65D 1/00; B65D 1/02;  
B65D 1/0223; B65D 23/00; B65D  
50/041; B65D 53/02; B65D 41/34; B65D  
21/0223; B65D 47/265; B65D 2525/283;  
B65D 2251/0087; B65D 2251/0018;  
B65D 2251/0028; B65D 2251/009; B65D  
43/0225; B65D 25/28; B65D 51/18;  
B65D 2203/00; B65D 83/0038; B65D  
43/02; B65D 85/36; B65D 81/18; B65D

*Primary Examiner* — Catherine S Posthauer  
(74) *Attorney, Agent, or Firm* — Bayramoglu Law Offices  
LLC

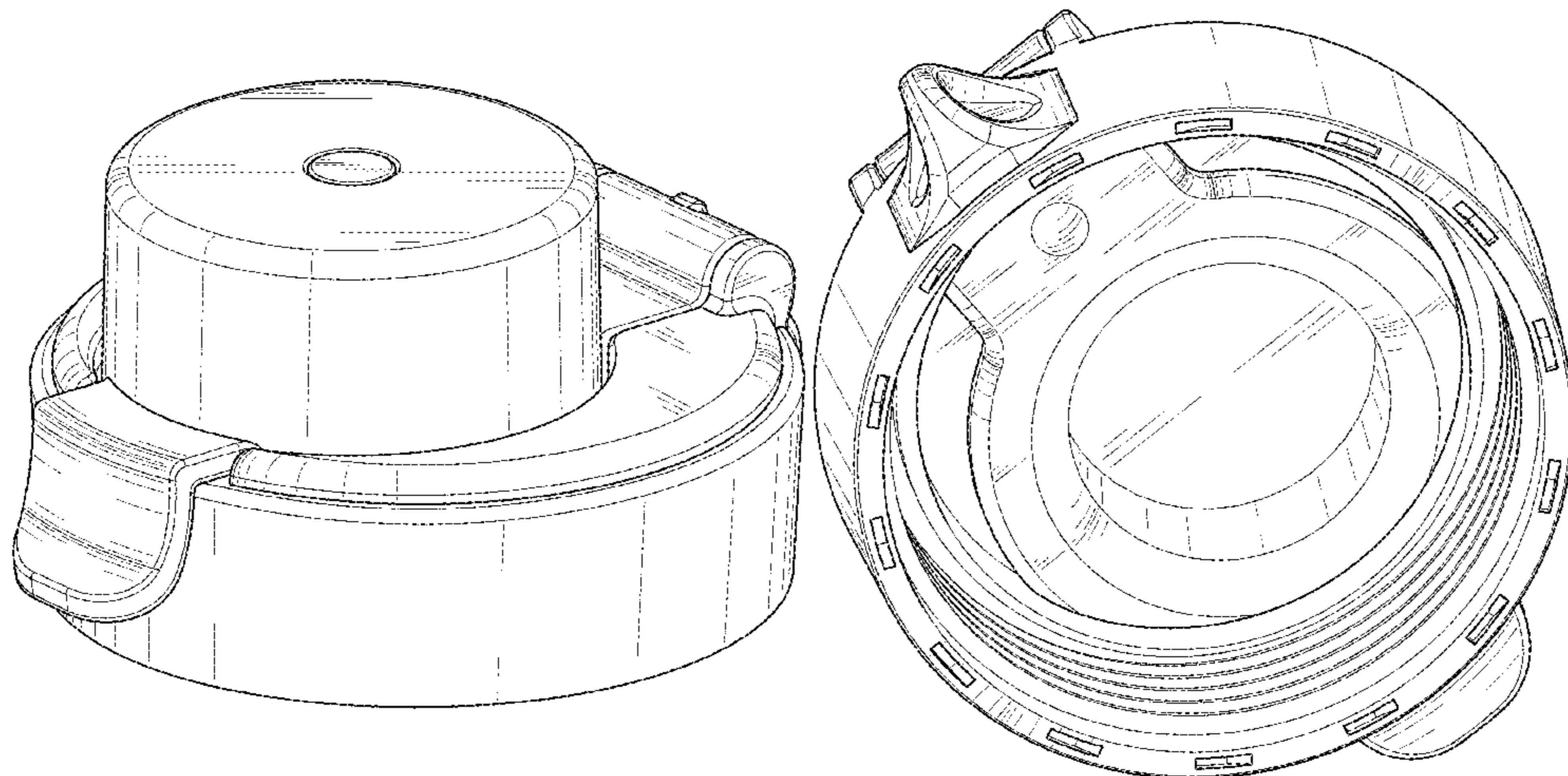
(57) **CLAIM**

The ornamental design for a water bottle cap, as shown and  
described.

**DESCRIPTION**

FIG. 1 is a top-down perspective view of a water bottle cap  
showing my new design;  
FIG. 2 is a front elevation view thereof;  
FIG. 3 is a rear elevation view thereof;  
FIG. 4 is a left elevation view thereof;  
FIG. 5 is a right elevation view thereof;  
FIG. 6 is a top plan view thereof;  
FIG. 7 is a bottom plan view thereof; and,  
FIG. 8 is a bottom-up perspective view thereof.

(Continued)



The broken lines are shown for the purpose of illustrating portions of the water bottle cap that form no part of the claimed design.

**1 Claim, 8 Drawing Sheets**

(56) **References Cited**

U.S. PATENT DOCUMENTS

D714,584 S \* 10/2014 Boroski ..... D7/392  
D723,328 S \* 3/2015 Steel ..... D7/396.2  
D741,642 S \* 10/2015 Yessin ..... D7/392  
D763,076 S \* 8/2016 Lane ..... D9/446  
D767,390 S \* 9/2016 Miksovsky ..... D7/392.1  
D770,222 S \* 11/2016 Boroski ..... D7/392.1  
D807,110 S \* 1/2018 Lown ..... D7/391  
D813,593 S \* 3/2018 Cornu ..... D7/392  
D820,635 S \* 6/2018 Hammer ..... D7/392.1  
D836,386 S \* 12/2018 Ayriss ..... B65D 47/0857  
D7/392  
D843,778 S \* 3/2019 Yao ..... D7/392.1  
D862,977 S \* 10/2019 Bohman ..... D7/392  
D867,811 S \* 11/2019 Lane ..... D7/392  
D869,230 S \* 12/2019 Hao ..... D7/392.1  
D870,509 S \* 12/2019 Bo ..... D7/392.1  
2007/0175931 A1 \* 8/2007 Leoncavallo ..... B65D 47/0895  
222/556  
2019/0233184 A1 \* 8/2019 Arminak ..... B65D 50/041

\* cited by examiner

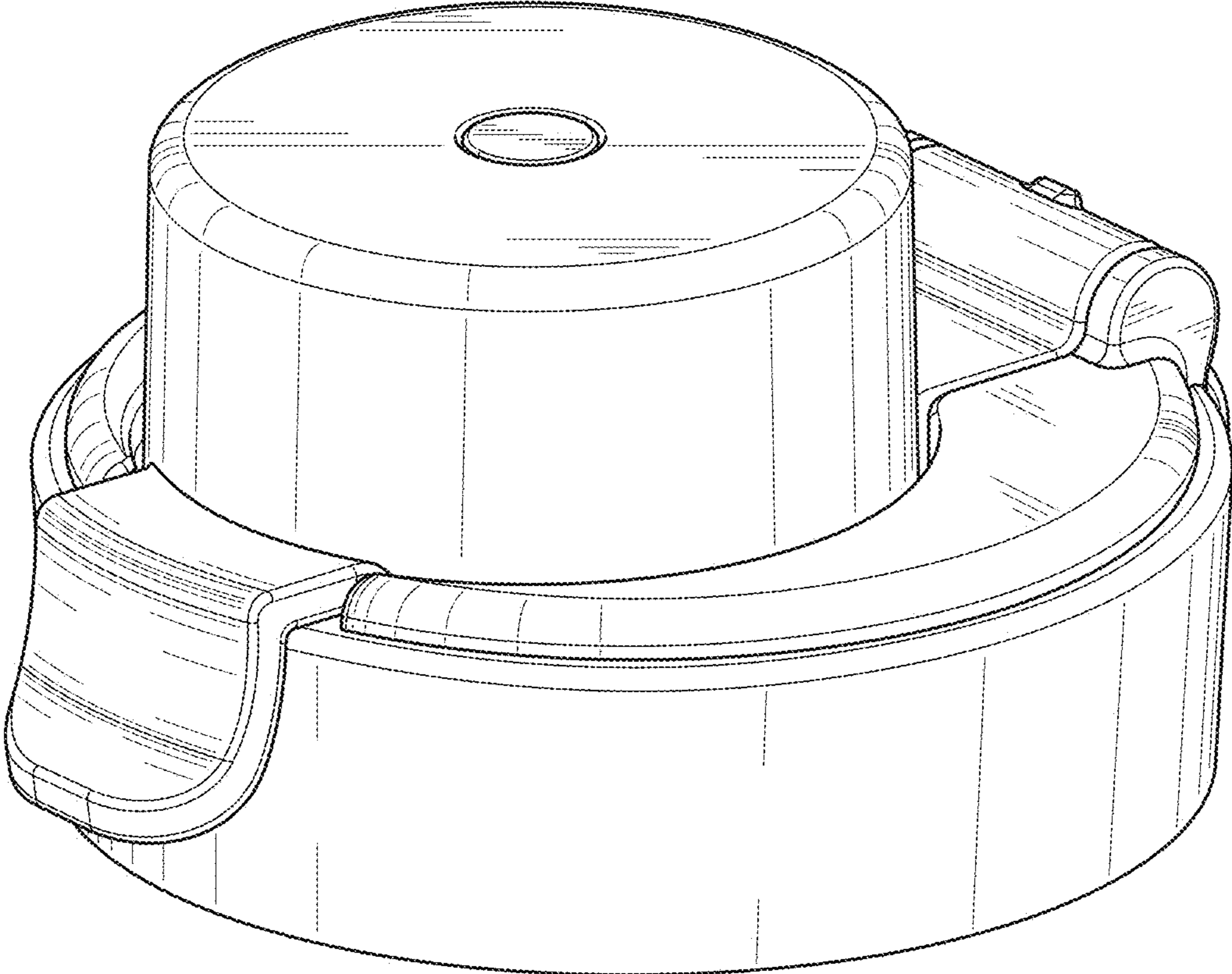


Fig. 1

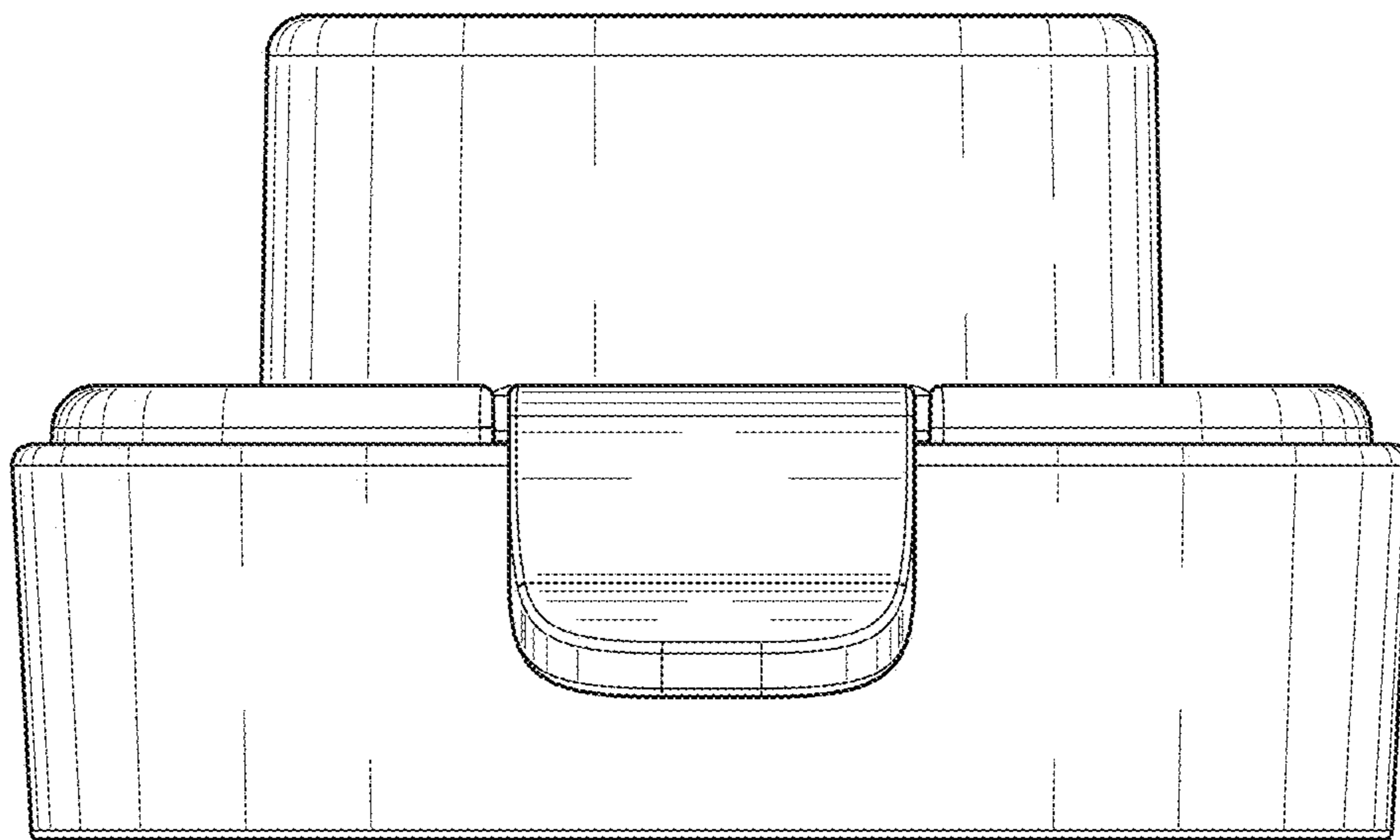


Fig. 2

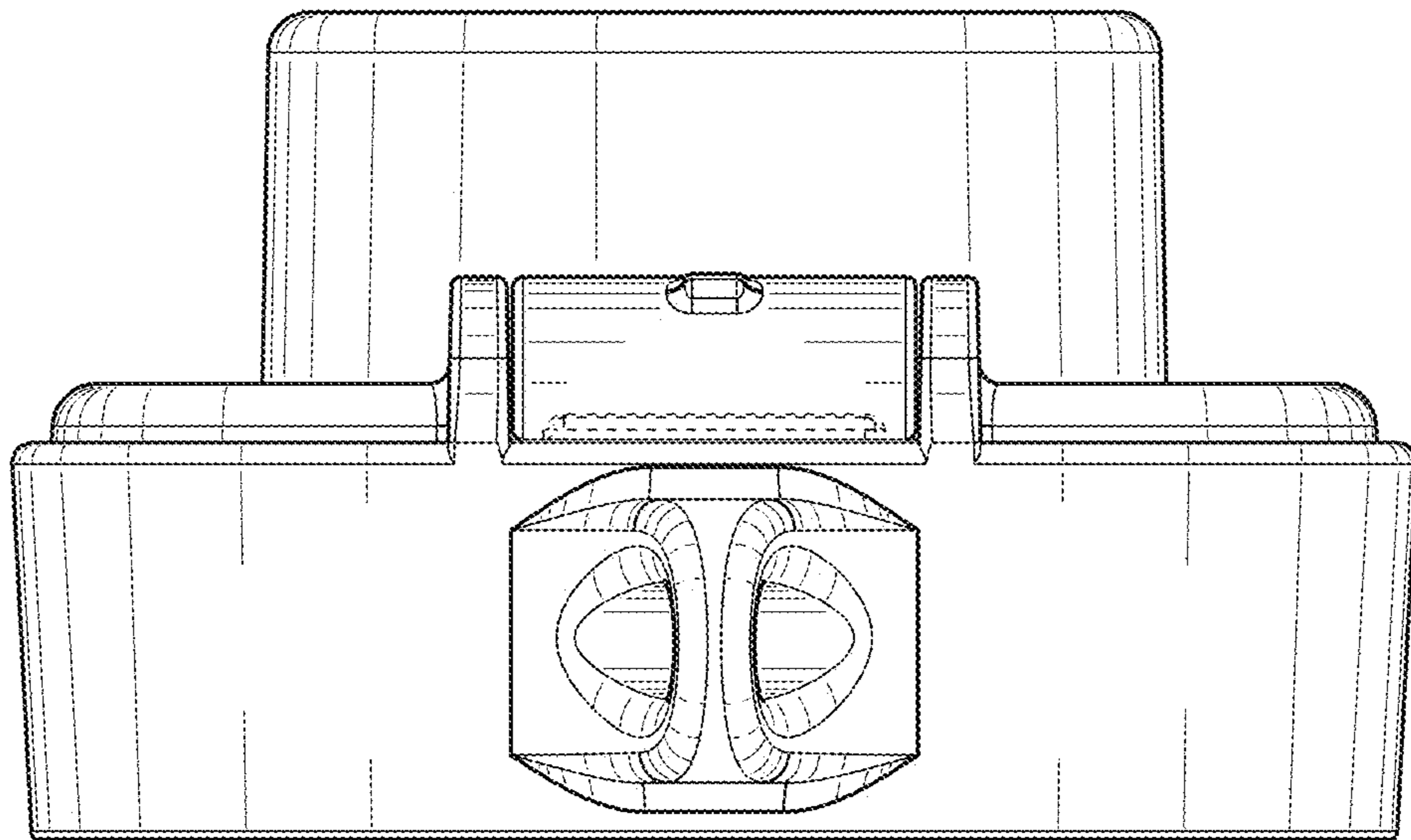


Fig. 3

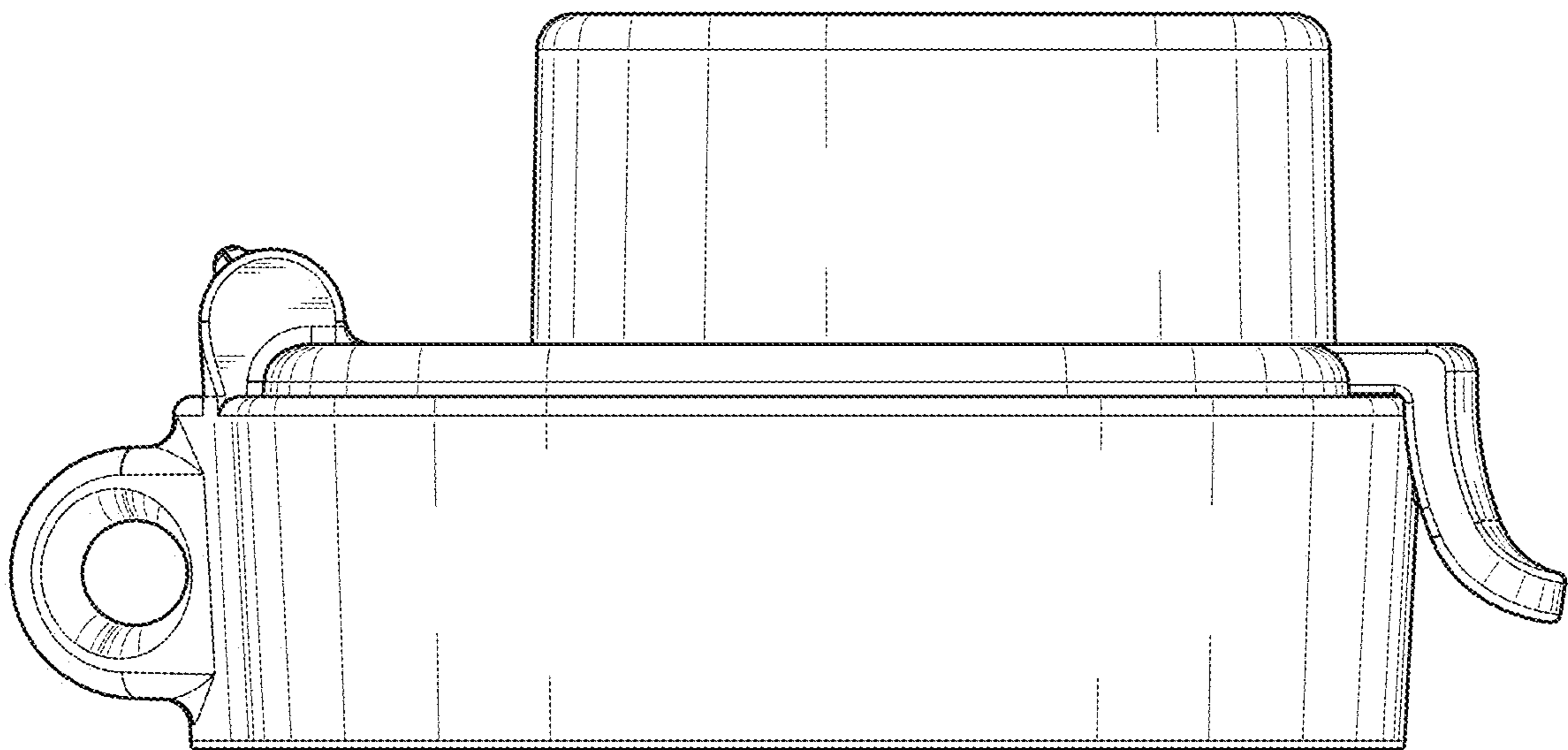


Fig. 4

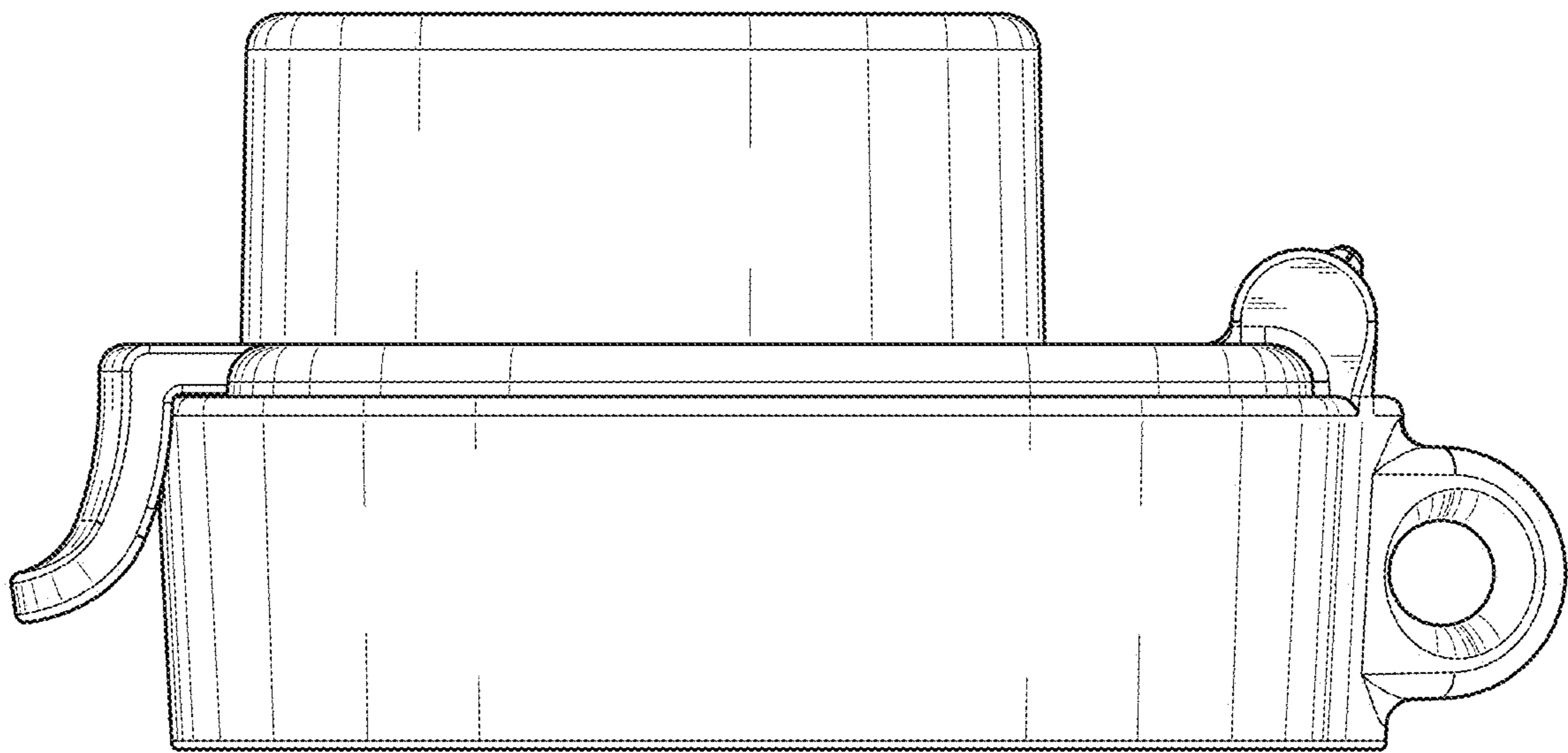


Fig. 5

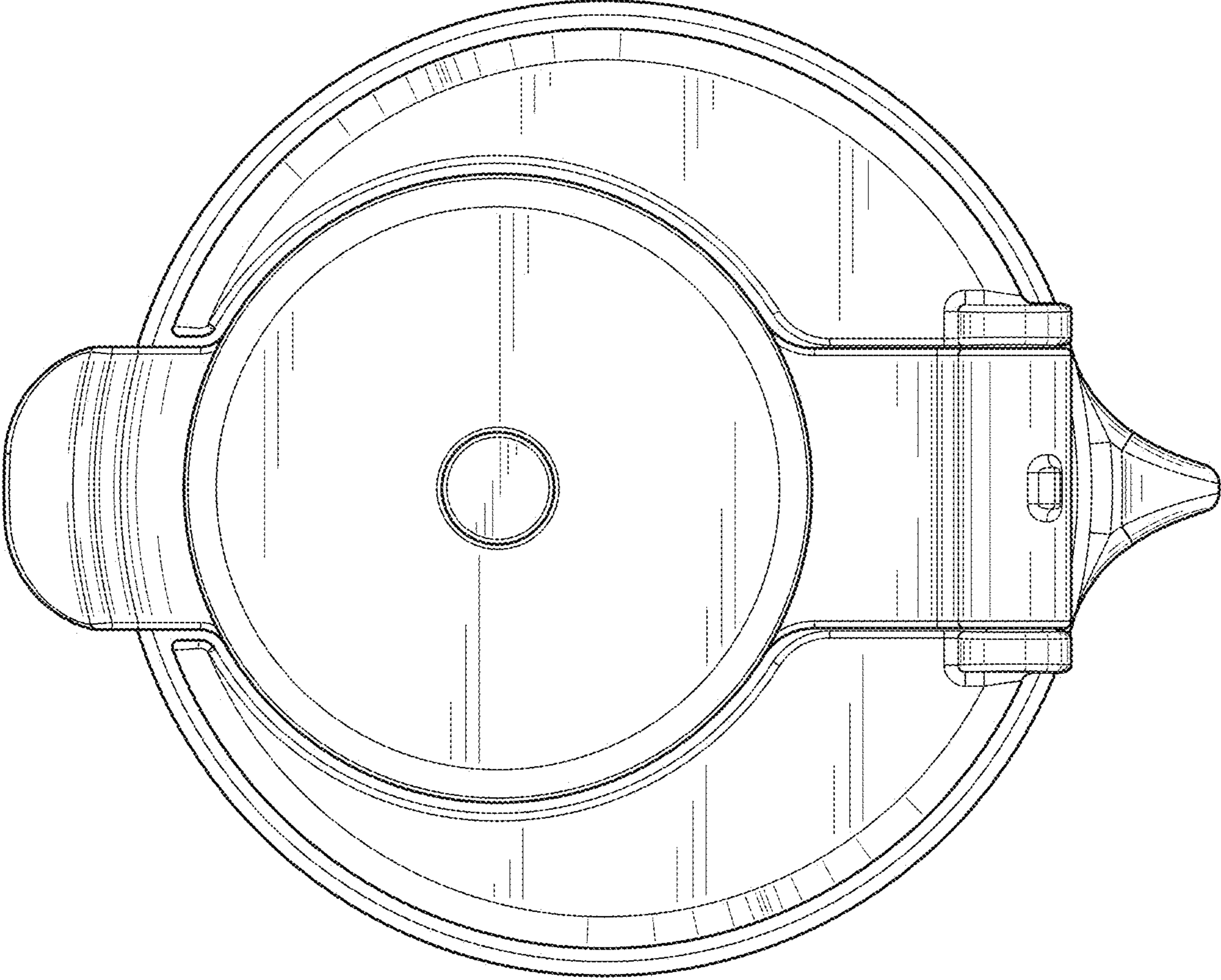


Fig. 6



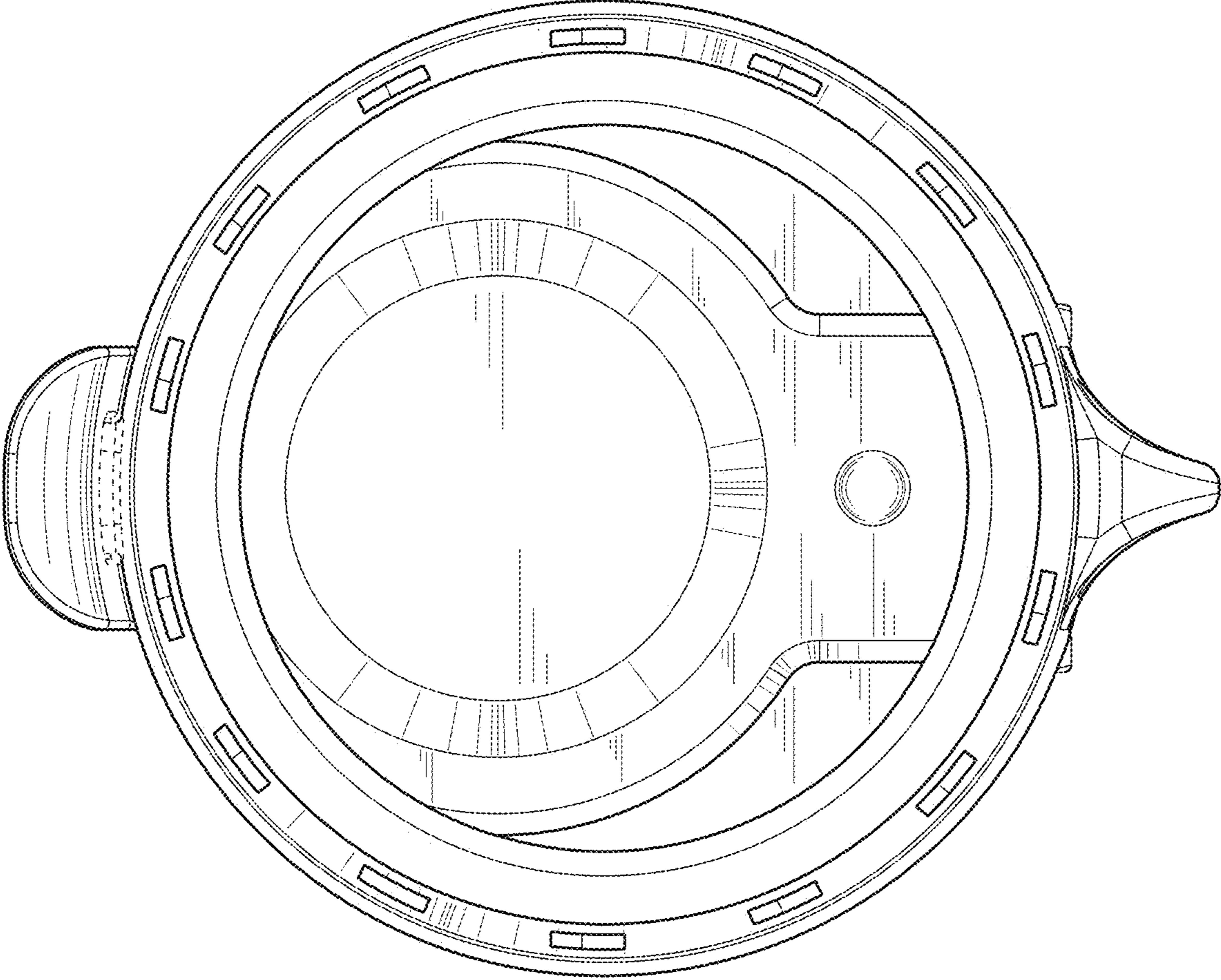


Fig. 7

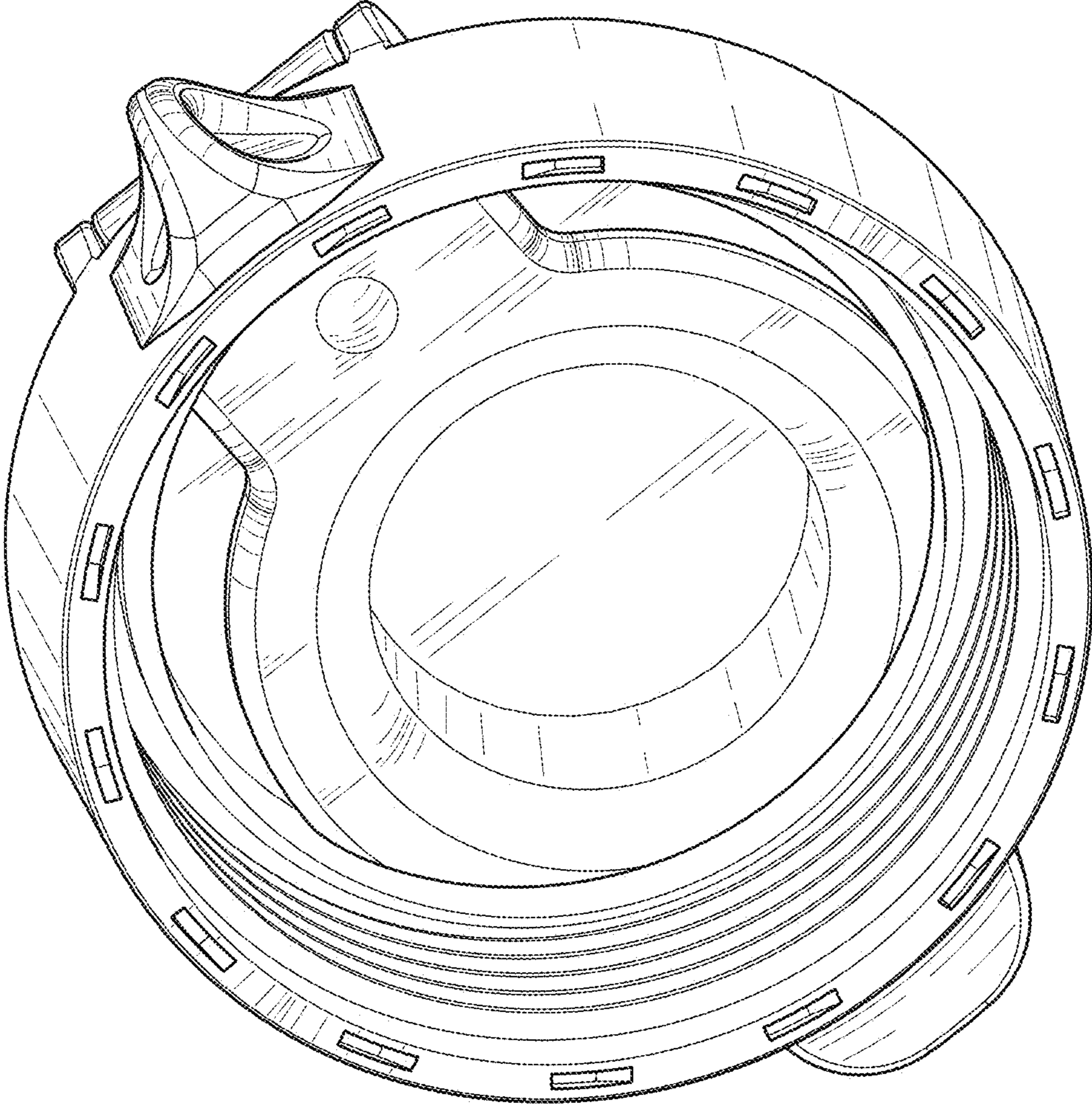


Fig. 8