



US00D884417S

(12) **United States Design Patent**
Edlund Tjernberg et al.

(10) **Patent No.:** **US D884,417 S**

(45) **Date of Patent:** **** May 19, 2020**

(54) **LID FOR CUP**

(71) Applicant: **b.box for kids developments Pty Ltd,**
Mulgrave, Victoria (AU)

(72) Inventors: **Lisa Edlund Tjernberg,** Mulgrave
(AU); **Miroslav Egorov,** Mulgrave
(AU)

(73) Assignee: **B.BOX FOR KIDS**
DEVELOPMENTS PTY LTD.,
Mulgrave, Victoria (AU)

(**) Term: **15 Years**

(21) Appl. No.: **29/654,034**

(22) Filed: **Jun. 20, 2018**

(51) **LOC (12) Cl.** **07-99**

(52) **U.S. Cl.**
USPC **D7/392; D7/392.1**

(58) **Field of Classification Search**
USPC D7/300, 300.2, 301, 392, 392.1, 424,
D7/430, 435, 443, 447, 449, 453, 454,
D7/510, 511, 538, 540, 542, 543, 544,
D7/545, 629, 635, 780; D23/207;
D27/101

CPC A47G 21/18; A61J 7/0038;
B65D 2517/0049

See application file for complete search history.

(56) **References Cited**

U.S. PATENT DOCUMENTS

D515,867 S * 2/2006 Randolph D7/392.1
D579,722 S 11/2008 Sakulsacha et al.
D652,248 S * 1/2012 Valderrama D7/392.1
D695,061 S * 12/2013 Dunn D7/392.1
D699,068 S * 2/2014 Dunn D7/392.1
D713,687 S * 9/2014 Lv D7/510
D717,105 S 11/2014 Aslan
D725,434 S * 3/2015 De Leo D7/392.1
D725,962 S * 4/2015 Marzotto D7/387
D730,697 S * 6/2015 Johnson D7/510

D736,035 S * 8/2015 Wang D7/510
D747,920 S 1/2016 Hakim
D755,572 S * 5/2016 Parker D7/510
D793,167 S 8/2017 Schlegel et al.
D801,117 S * 10/2017 Valderrama D7/510
D803,683 S 11/2017 Coey et al.

(Continued)

FOREIGN PATENT DOCUMENTS

AU 103752013 7/2014

OTHER PUBLICATIONS

Amazon website, b.box Sippy Cup with Innovative Weighted Straw, Earliest comment date May 17, 2013, [site visited Jul. 1, 2019], Available on the Internet URL <https://www.amazon.com/b-box-Innovative-Weighted-Easy-Grip-Handles/dp/B01AW1AFYC?th=1> (Year: 2013).*

(Continued)

Primary Examiner — Karen S Acker

Assistant Examiner — Steven B Reinholdt, Jr.

(74) *Attorney, Agent, or Firm* — Brooks Kushman P.C.

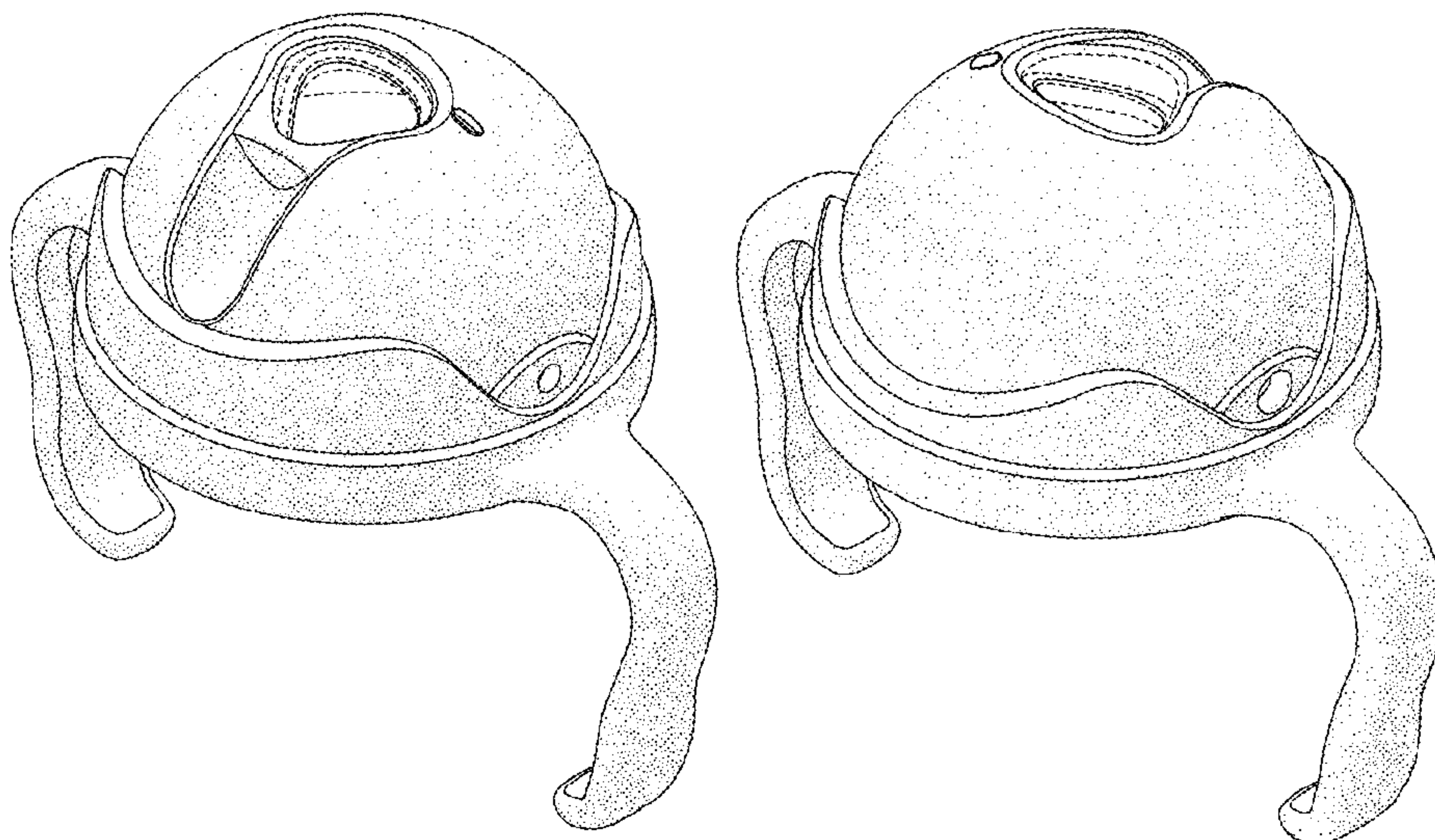
(57) **CLAIM**

The ornamental design for a lid for cup, as shown and described.

DESCRIPTION

FIG. 1 is front perspective view of the lid for cup;
FIG. 2 is a rear perspective view of FIG. 1;
FIG. 3 is a front side view of FIG. 1;
FIG. 4 is a rear side view of FIG. 1;
FIG. 5 is a right side view of FIG. 1;
FIG. 6 is a left side view of FIG. 1;
FIG. 7 is a top plan view of FIG. 1; and,
FIG. 8 is a bottom plan view of FIG. 1.
The broken lines depict portions of the lid of a cup that form no part of the claimed design.

1 Claim, 4 Drawing Sheets



(56)

References Cited

U.S. PATENT DOCUMENTS

D817,083 S * 5/2018 Magovern, III D7/392.1
D825,271 S * 8/2018 Valderrama D7/534
D829,508 S * 10/2018 Bergstrom D7/534
D836,986 S * 1/2019 Davies D7/510
D840,748 S * 2/2019 Lv D7/392.1
2009/0250478 A1* 10/2009 Roth A47G 19/2266
220/703
2011/0284538 A1* 11/2011 Valderrama A47G 19/2272
220/212.5
2013/0233870 A1* 9/2013 Miller A47G 19/22
220/719
2014/0158699 A1* 6/2014 Kim A47G 19/2272
220/592.17
2016/0120343 A1* 5/2016 Liang A47G 19/2266
220/303
2017/0340148 A1* 11/2017 Chen A47G 19/2272

OTHER PUBLICATIONS

Comparison of Design vs New Sippy Cup Main lid, 3 pages.

* cited by examiner

FIG. 1

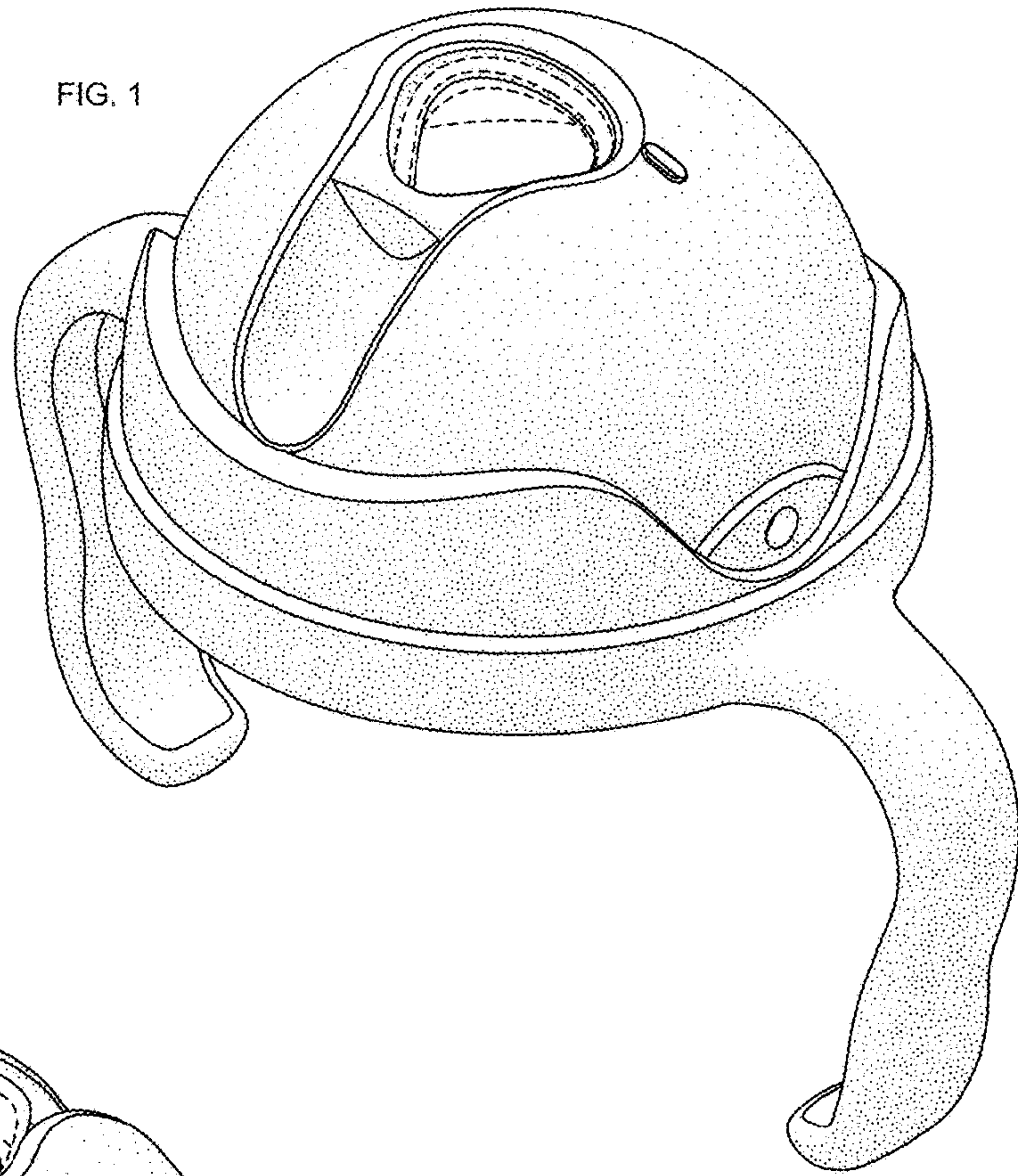


FIG. 2

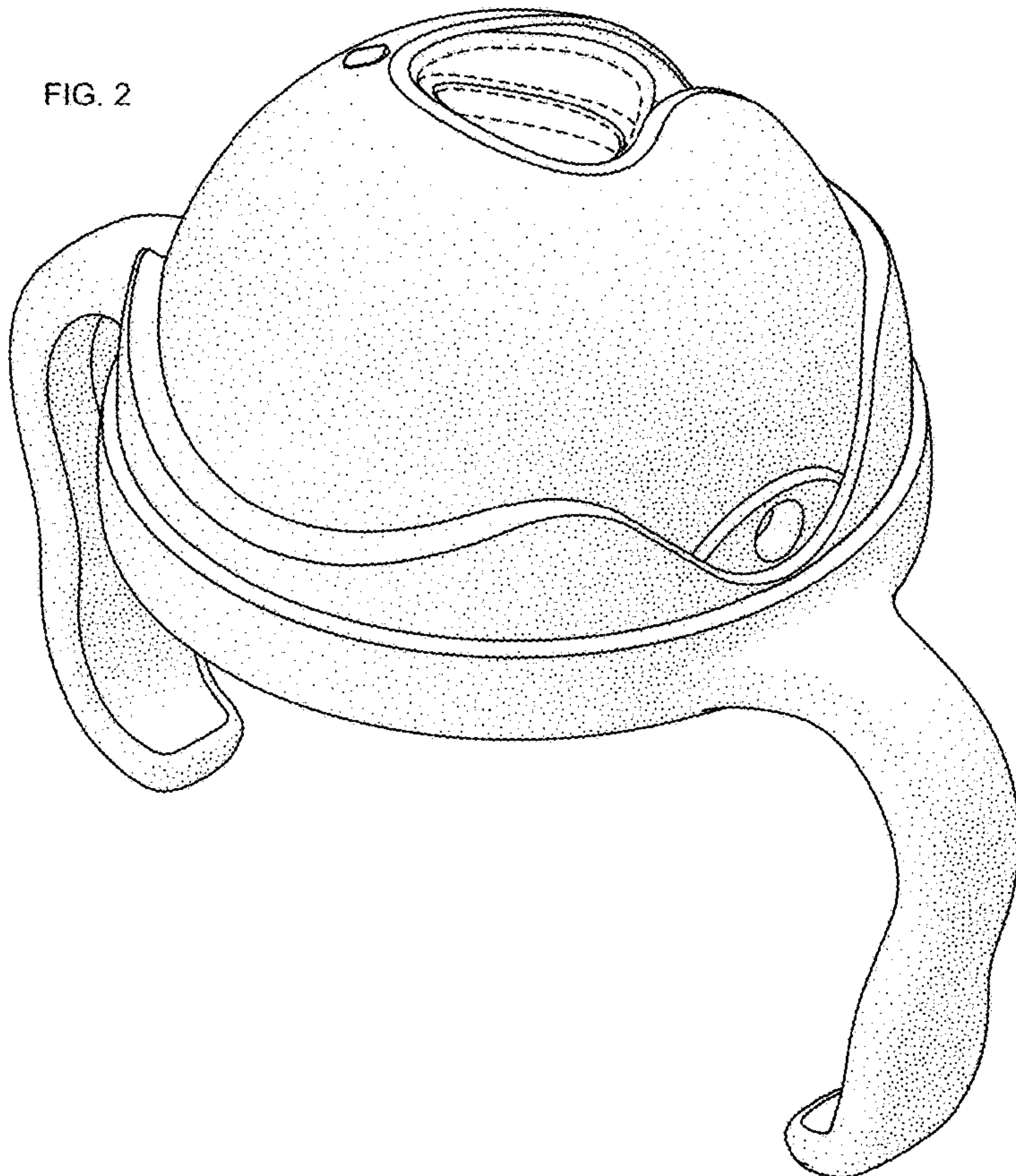


FIG. 3

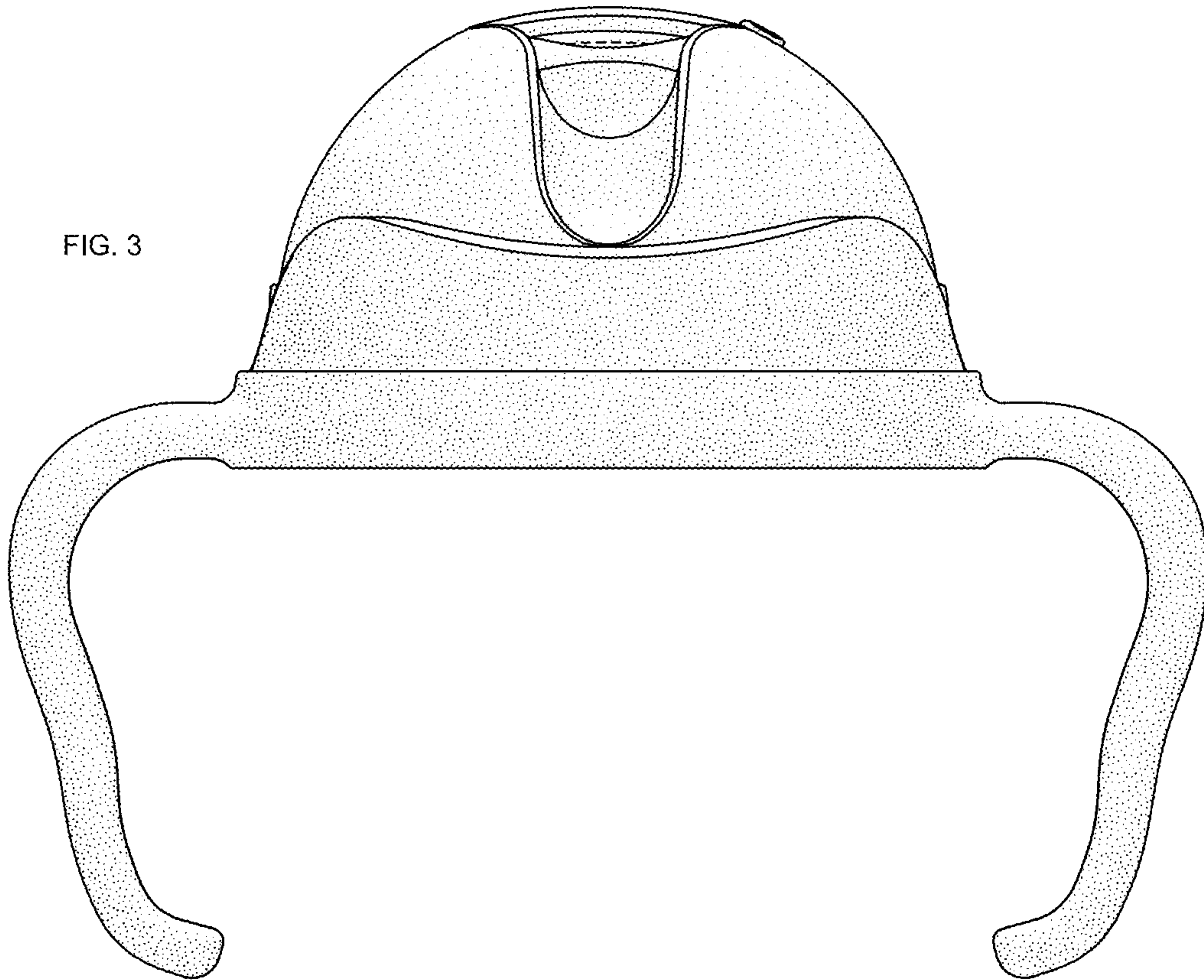
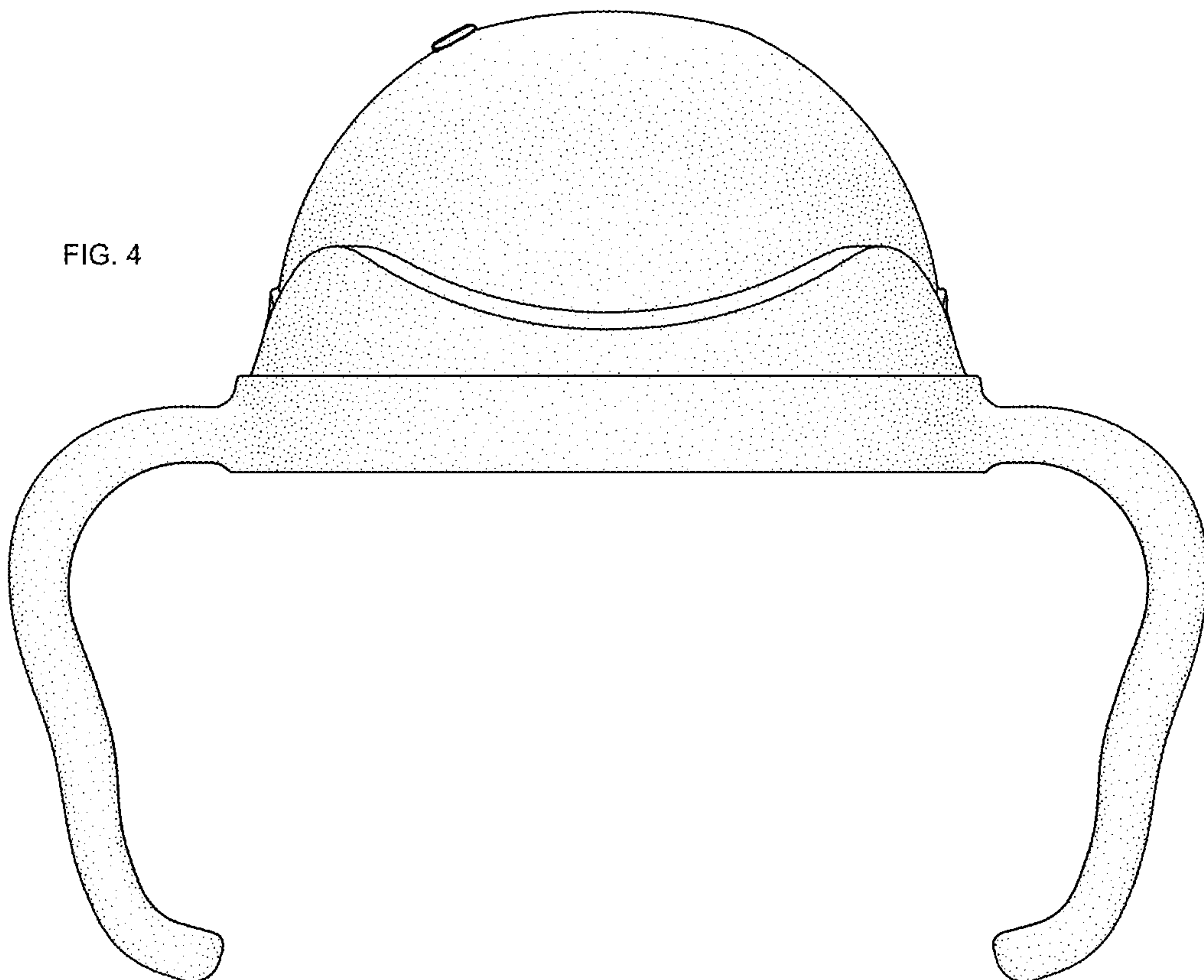


FIG. 4



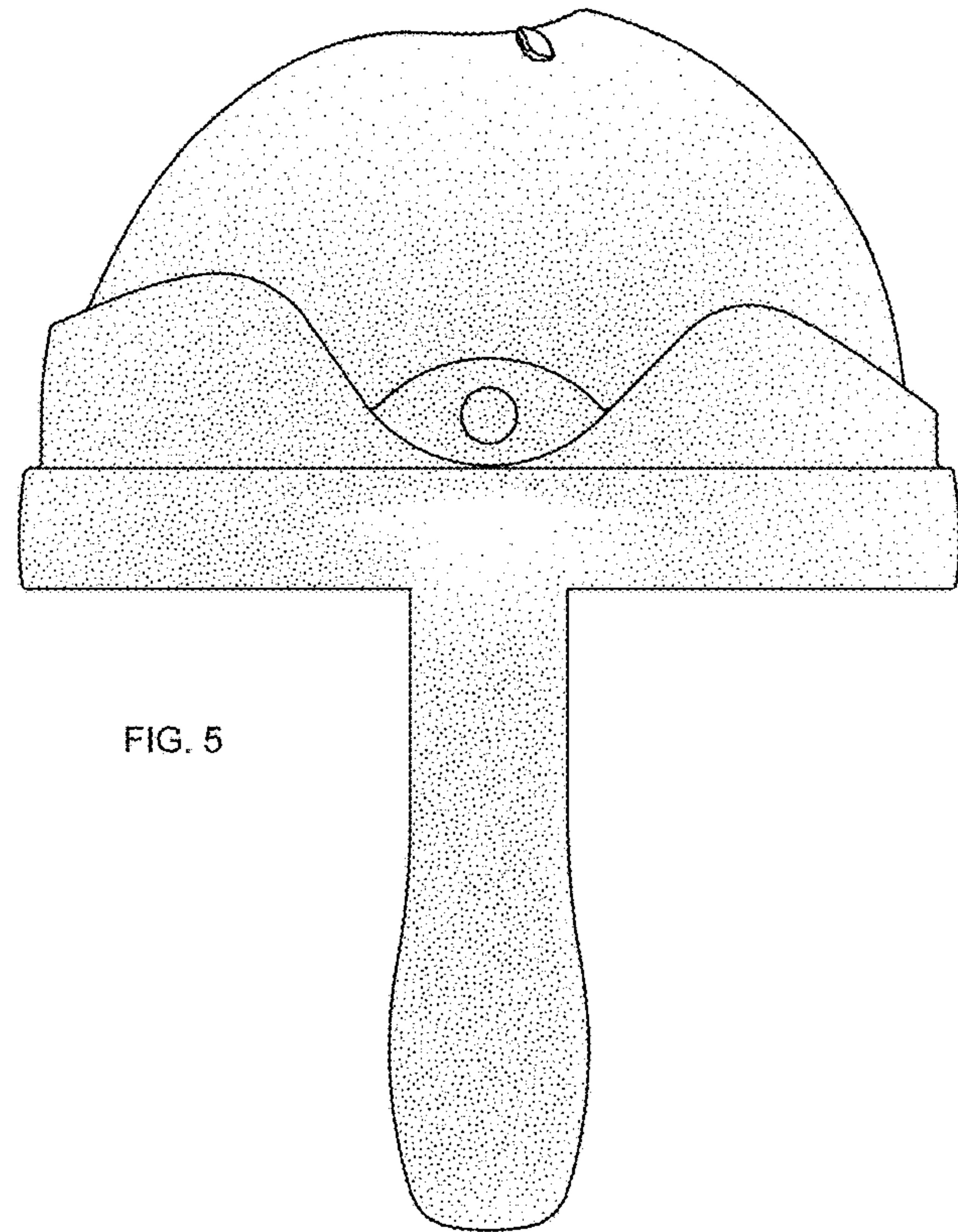


FIG. 5

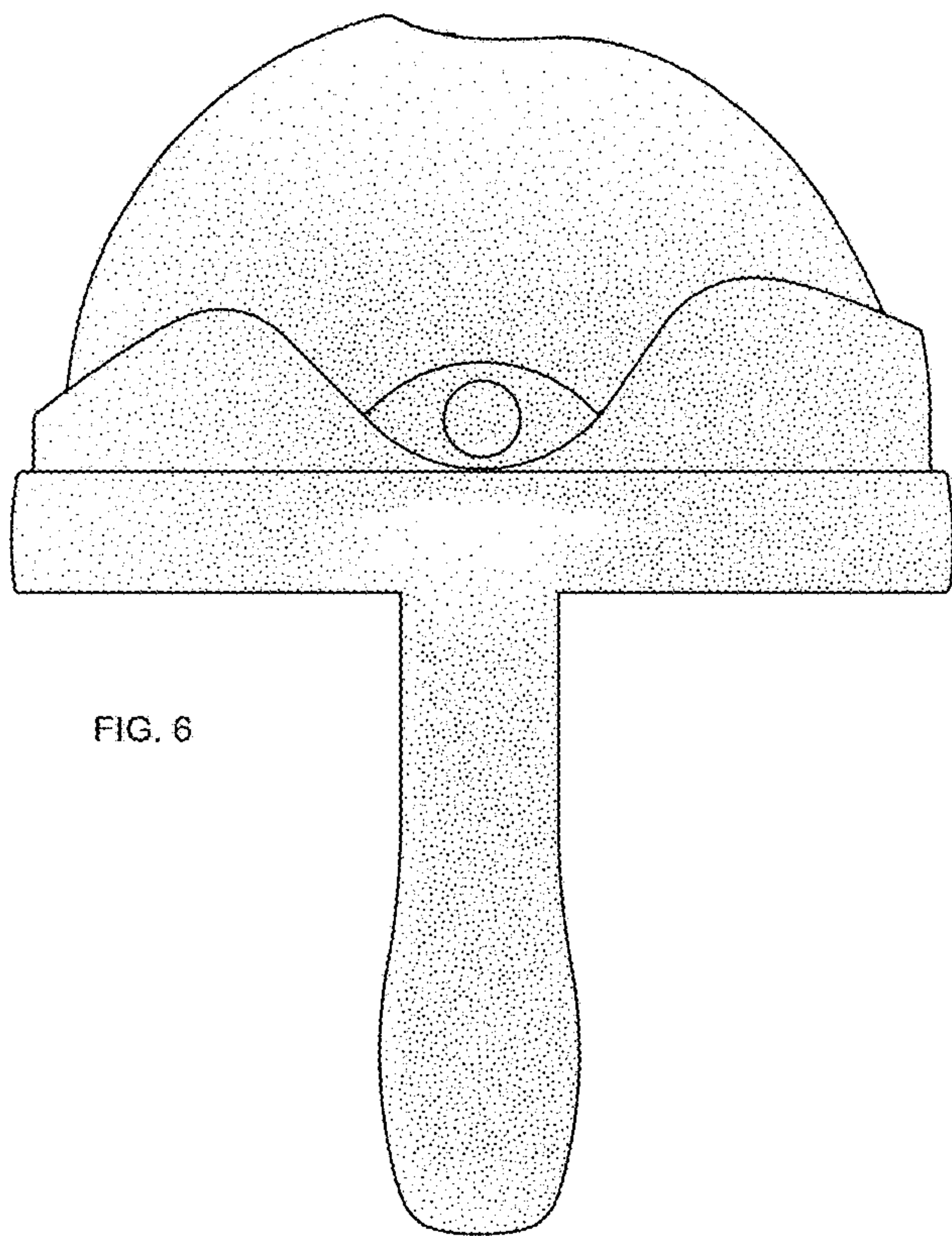


FIG. 6

FIG. 7

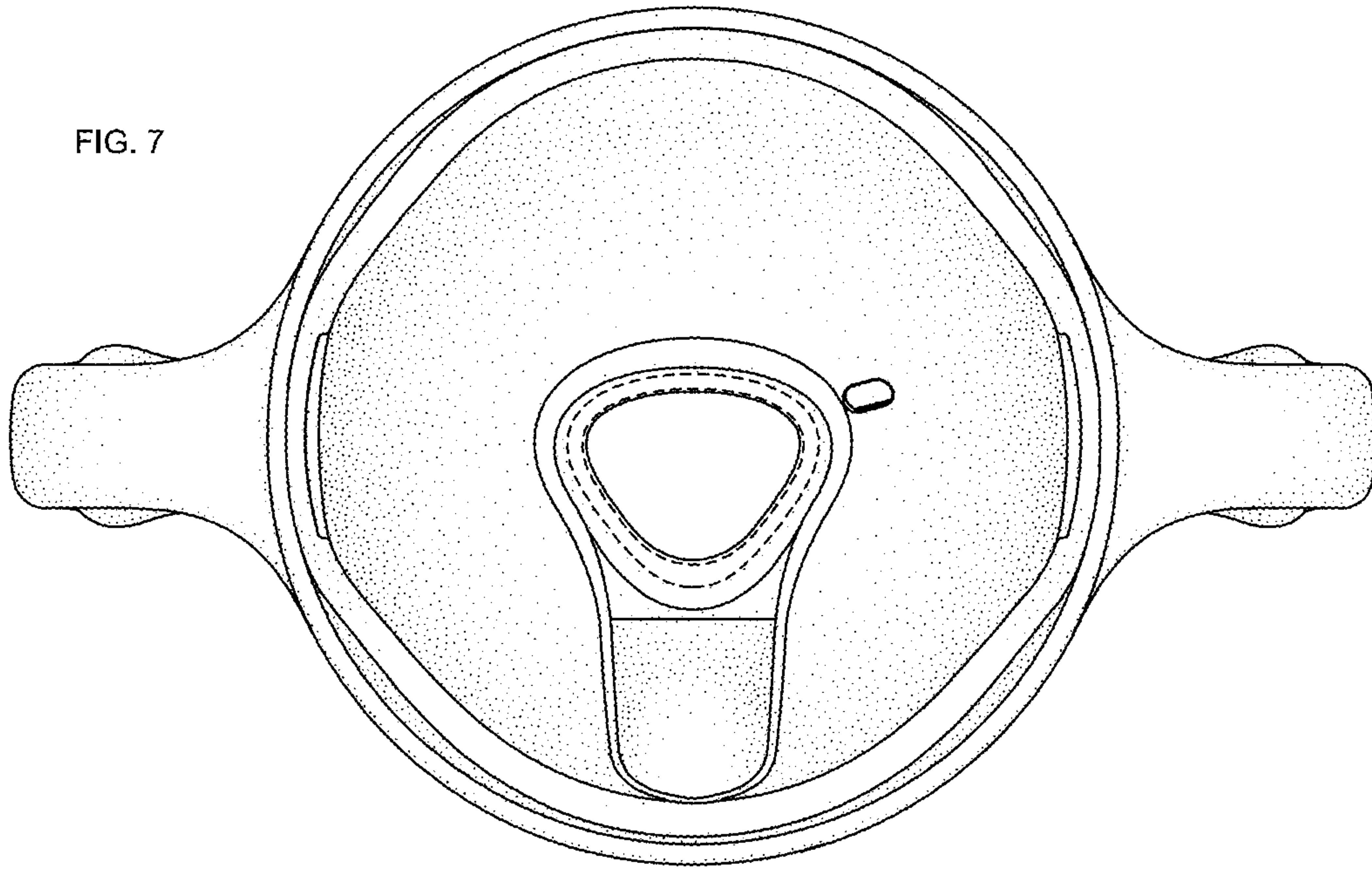


FIG. 8

