



US00D884416S

(12) **United States Design Patent** (10) **Patent No.:** **US D884,416 S**
Meyers et al. (45) **Date of Patent:** **** May 19, 2020**

(54) **LID**
(71) Applicant: **Runway Blue, LLC**, Lehi, UT (US)
(72) Inventors: **David O. Meyers**, East Layton, UT (US); **John R. Omdahl, II**, Lindon, UT (US); **Daniel Kendall Harden**, Palo Alto, CA (US); **Elliot Lucas Ortiz**, San Francisco, CA (US)

D547,607 S 7/2007 Forsman
D562,065 S 2/2008 Smaldone
D586,184 S 2/2009 Miller et al.
D588,915 S 3/2009 Lohrman et al.
D591,595 S 5/2009 Tedford, Jr.
7,717,284 B2 5/2010 Giusti
D626,837 S 11/2010 Meyers et al.
D626,838 S 11/2010 Meyers et al.
D628,887 S 12/2010 Groubert et al.

(Continued)

(73) Assignee: **Runway Blue, LLC**, Alpine, UT (US)

(**) Term: **15 Years**

(21) Appl. No.: **29/602,291**

(22) Filed: **Apr. 28, 2017**

(51) **LOC (12) Cl.** **07-99**

(52) **U.S. Cl.**
USPC **D7/392**; D7/392.1

(58) **Field of Classification Search**
USPC ... D7/509-511, 396.2, 387, 396.1, 397, 608,
D7/300.1, 591, 529, 533-536; D9/434,
D9/435, 443, 447, 452, 503, 504
CPC A47G 19/22; A47G 19/2205; A45F 3/16;
B65D 41/04; B65D 43/02
See application file for complete search history.

(56) **References Cited**

U.S. PATENT DOCUMENTS

2,573,378 A 10/1951 Zurlinden
3,770,160 A 11/1973 Flider
4,948,009 A 8/1990 Sawatani
5,318,203 A 6/1994 Iaia et al.
D436,040 S 1/2001 Warner et al.
D437,223 S 2/2001 Coy et al.
6,367,670 B1 4/2002 Warner et al.
D462,009 S 8/2002 Poisson et al.
D476,892 S 7/2003 Martin et al.
D530,202 S 10/2006 Herald et al.
7,124,917 B2 10/2006 Lee
D547,605 S 7/2007 Edelstein et al.

OTHER PUBLICATIONS

Design U.S. Appl. No. 29/580,621, filed Oct. 11, 2016, titled "Mouthpiece", 18 pages.

(Continued)

Primary Examiner — Derrick E Holland

Assistant Examiner — Andrew Kerr

(74) *Attorney, Agent, or Firm* — Sterne, Kessler, Goldstein & Fox P.L.L.C.

(57) **CLAIM**

The ornamental design for a lid, as shown and described.

DESCRIPTION

FIG. 1 is a top and front perspective view of a lid, showing our new design;

FIG. 2 is a top and rear perspective view thereof;

FIG. 3 is a front view thereof;

FIG. 4 is a rear view thereof;

FIG. 5 is a left side view thereof;

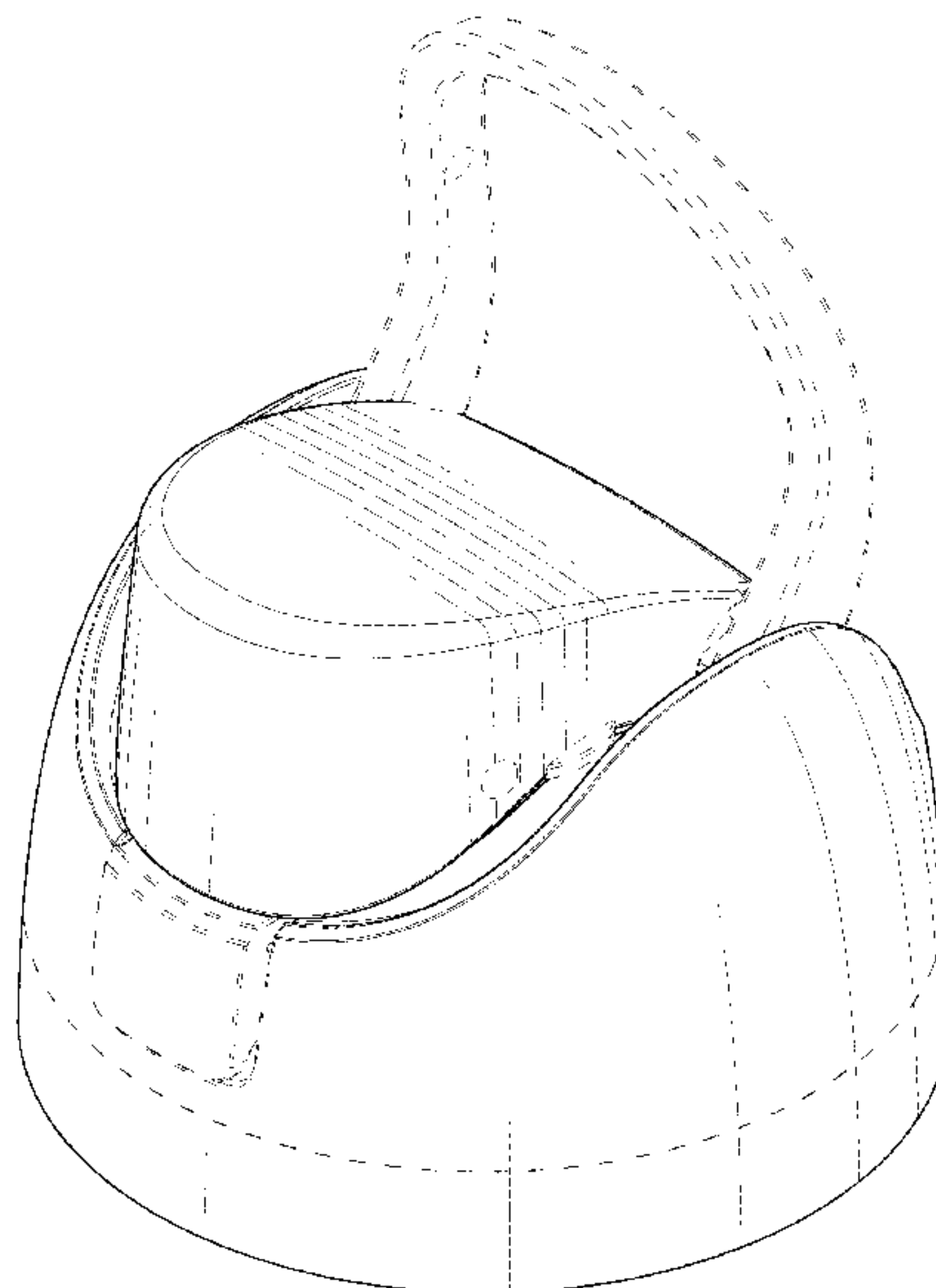
FIG. 6 is a right side view thereof;

FIG. 7 is a top view thereof; and,

FIG. 8 is a bottom view thereof.

The broken seam line going around the body of the lid forms no part of the claimed design. The other broken lines illustrate environmental structure and parts of the article that form no part of the claimed design.

1 Claim, 8 Drawing Sheets



(56)

References Cited

U.S. PATENT DOCUMENTS

D628,890 S 12/2010 Groubert et al.
 D628,893 S 12/2010 Groubert et al.
 D636,672 S 4/2011 Lohrman
 D649,878 S 12/2011 Weiss
 D649,879 S 12/2011 Gullickson et al.
 D652,256 S 1/2012 Eyal
 8,146,770 B2 4/2012 Newman
 D660,696 S 5/2012 Weiss
 D666,490 S 9/2012 Leon
 D677,121 S 3/2013 Meyers et al.
 D679,541 S 4/2013 Samartgis
 D682,034 S 5/2013 El-Saden et al.
 D686,870 S 7/2013 Young
 D696,551 S 12/2013 Meyers et al.
 D696,941 S 1/2014 Kim
 D696,942 S 1/2014 Kim
 D696,943 S 1/2014 Kim
 D704,053 S 5/2014 Kim
 D705,058 S 5/2014 Kim
 D707,124 S * 6/2014 Blain D9/443
 D711,230 S 8/2014 den Boer
 D713,723 S 9/2014 den Boer
 D713,724 S 9/2014 den Boer
 8,833,586 B2 9/2014 Meyers et al.
 D716,141 S 10/2014 Rush
 D716,657 S 11/2014 Caneer
 D719,780 S 12/2014 Sullivan
 D721,276 S 1/2015 Herbst
 D723,328 S 3/2015 Steel
 D723,332 S 3/2015 Steel
 D727,093 S 4/2015 Lapsker
 D729,569 S 5/2015 Herbst et al.
 D730,694 S 6/2015 Elsaden et al.
 D734,152 S 7/2015 Hager et al.
 D737,139 S 8/2015 Sokoly
 D739,183 S * 9/2015 Lane D7/605
 D740,605 S 10/2015 Wodka et al.
 D741,637 S 10/2015 Palermo et al.
 D742,230 S 11/2015 Charles
 D745,827 S * 12/2015 Sorensen D7/392.1
 D747,136 S * 1/2016 Lane D7/396.2
 D750,490 S 3/2016 Moore
 D754,535 S 4/2016 Kim
 D758,127 S 6/2016 Zhao
 9,392,893 B2 7/2016 Sorensen et al.
 D768,491 S * 10/2016 Sorensen D7/392.1

D781,703 S 3/2017 Strachan
 D782,310 S 3/2017 Li
 D793,154 S * 8/2017 Sorensen D7/392.1
 9,790,007 B2 * 10/2017 Sorensen A47G 19/00
 D814,855 S 4/2018 Hammer
 D831,482 S 10/2018 Meyers
 2002/0179604 A1 12/2002 Germain et al.
 2003/0052126 A1 3/2003 Zettle et al.
 2006/0226110 A1 10/2006 Choi et al.
 2008/0099514 A1 5/2008 Carter et al.
 2008/0257899 A1 10/2008 Whitaker et al.
 2010/0224631 A1 9/2010 Roth et al.
 2011/0017760 A1 1/2011 Newman
 2011/0139800 A1 6/2011 Urban
 2011/0253733 A1 10/2011 Meyers et al.
 2012/0055818 A1 3/2012 Zimmern
 2012/0061398 A1 3/2012 Nilsson
 2013/0062304 A1 3/2013 Meyers et al.
 2014/0069918 A1 3/2014 Meyers
 2014/0299614 A1 10/2014 Mithal
 2014/0263324 A1 11/2014 Latham et al.
 2014/0360908 A1 12/2014 Sorensen et al.
 2015/0014322 A1 1/2015 Kim
 2015/0201773 A1 7/2015 Sorensen et al.
 2015/0201774 A1 7/2015 Sorensen et al.
 2015/0201775 A1 7/2015 Sorensen et al.
 2015/0329255 A1 11/2015 Rzepecki
 2016/0007780 A1 1/2016 Dolan et al.
 2018/0050850 A1 * 2/2018 Murosky B65D 51/242

OTHER PUBLICATIONS

Beachbody on Demand. 11 Water Bottles We're Lusting After. Apr. 15, 2016 [earliest online date], [site visited Oct. 11, 2017]. Available from Internet, <URL:https://www.beachbodyondemand.com/blog/11-water-bottles-were-lusting-after>. (Year: 2016).
 Amazon. Duo Classic protein Shaker Bottle. Jul. 30, 2014 [earliest online date], [site visited Oct. 11, 2017]. Available from Internet, <URL:https://www.amazon.com/Duo-Classic-Protein-Shaker-Bottle/dp/B00J9XRIEU?th=1>. (Year: 2014).
 Design U.S. Appl. No. 29/664,154, filed Sep. 21, 2018, titled "Mouthpiece", 11 pages.
 Design U.S. Appl. No. 29/634,621, filed Jan. 23, 2018, titled "Mouthpiece", 11 pages.
 Design U.S. Appl. No. 29/580,624, filed Oct. 11, 2016, titled "Mouthpiece", 20 pages.
 Design U.S. Appl. No. 29/693,888, filed Jun. 5, 2019, titled "Mouthpiece", 11 pages.

* cited by examiner

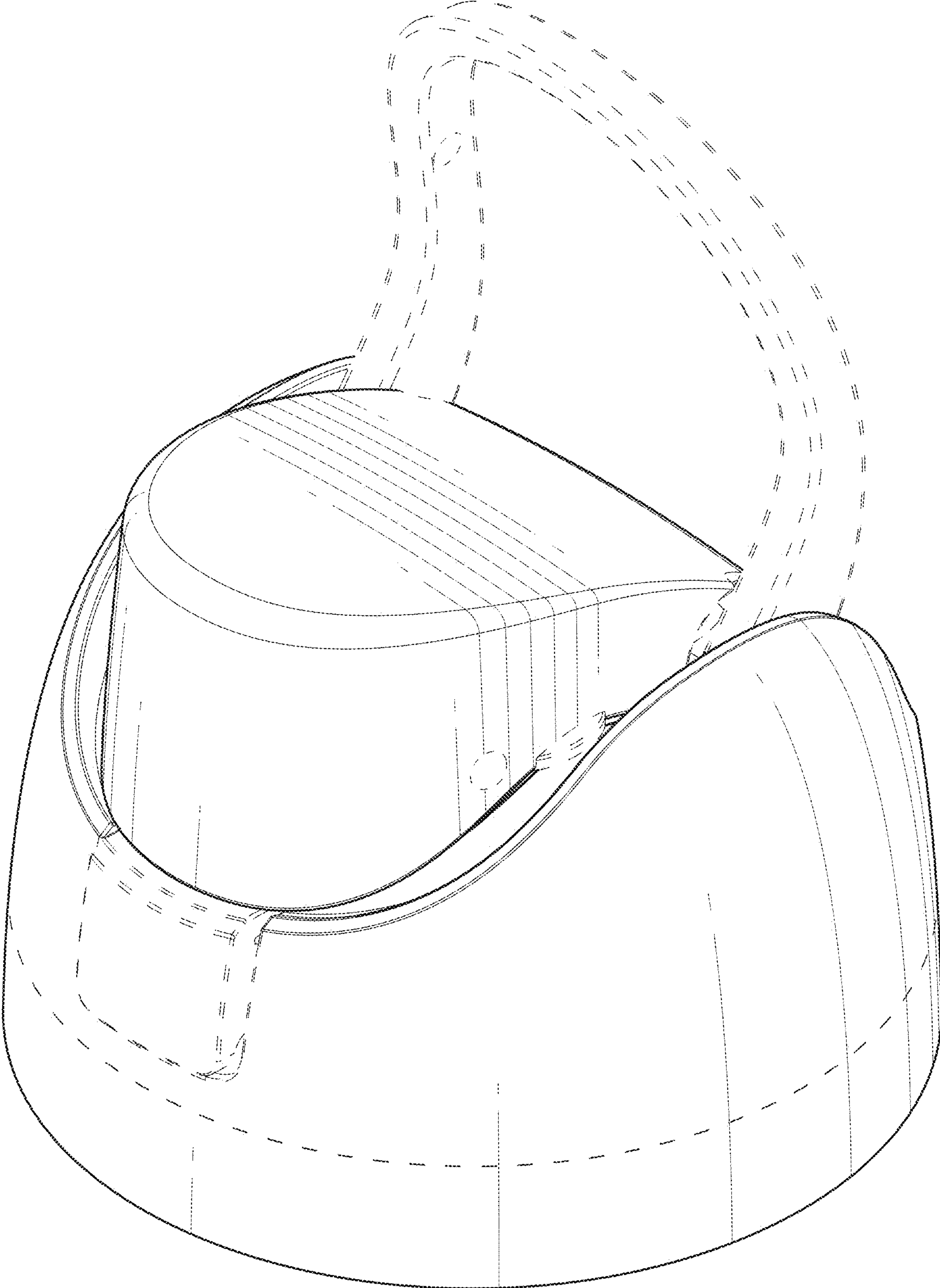


FIG. 1

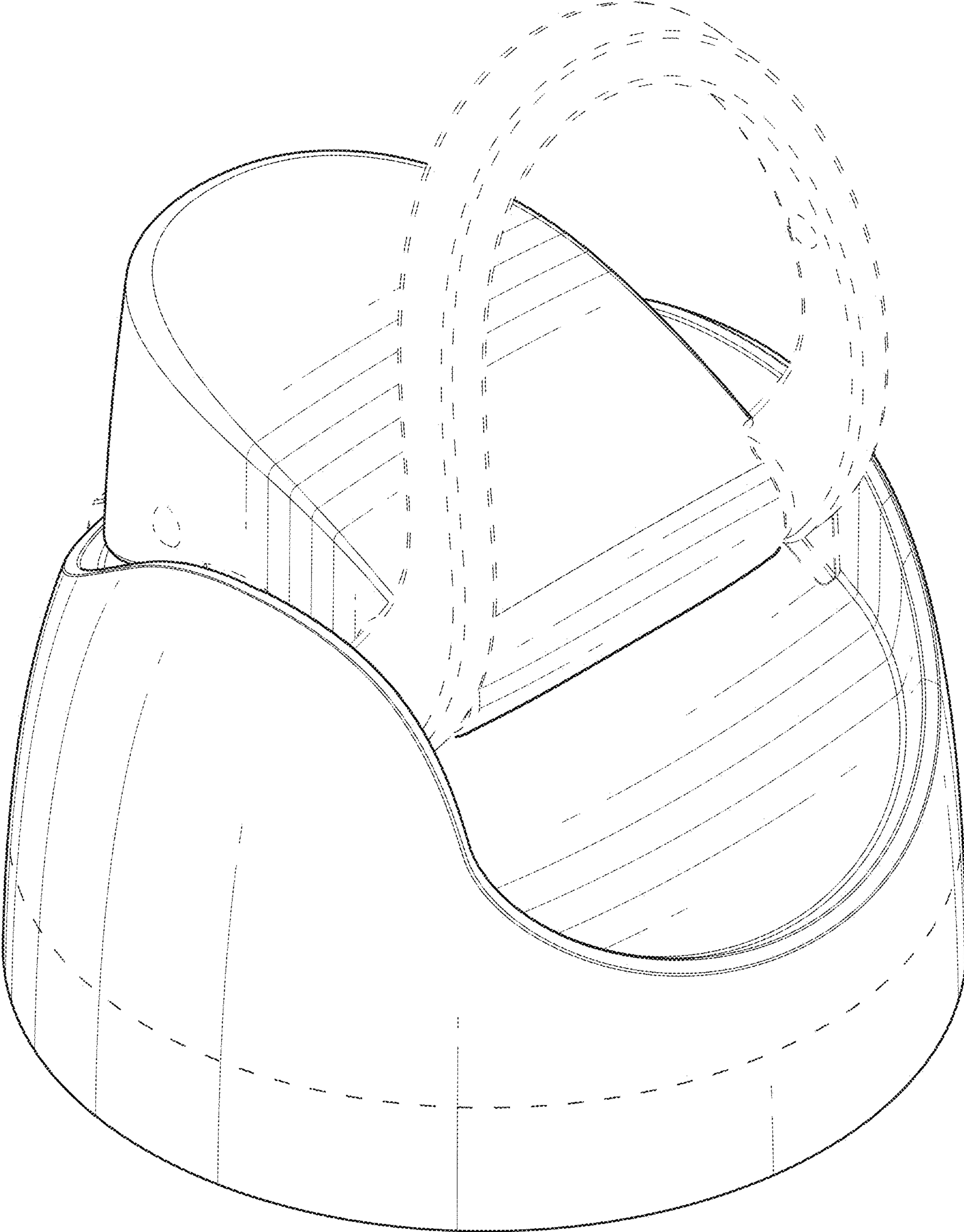


FIG. 2

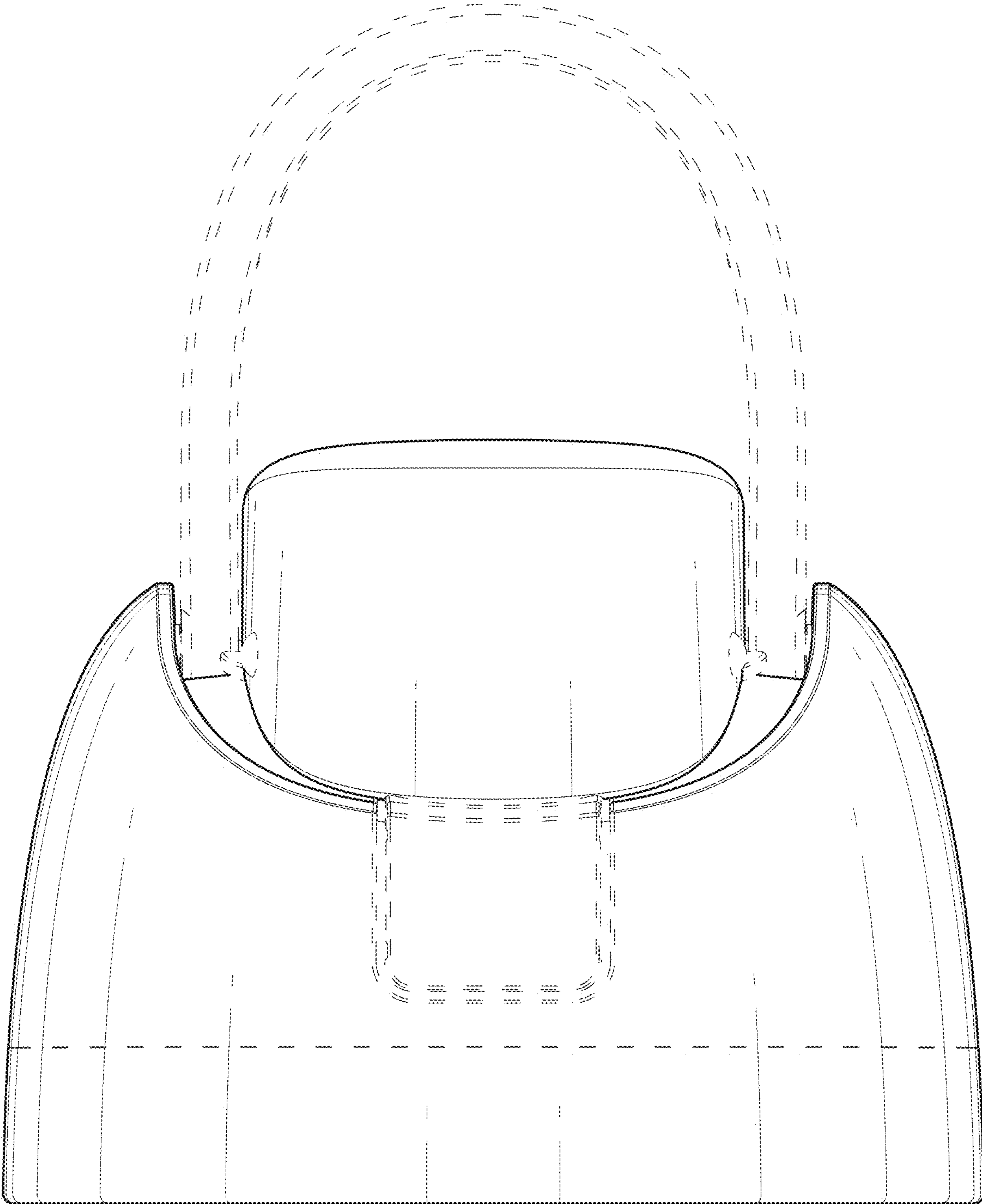


FIG. 3

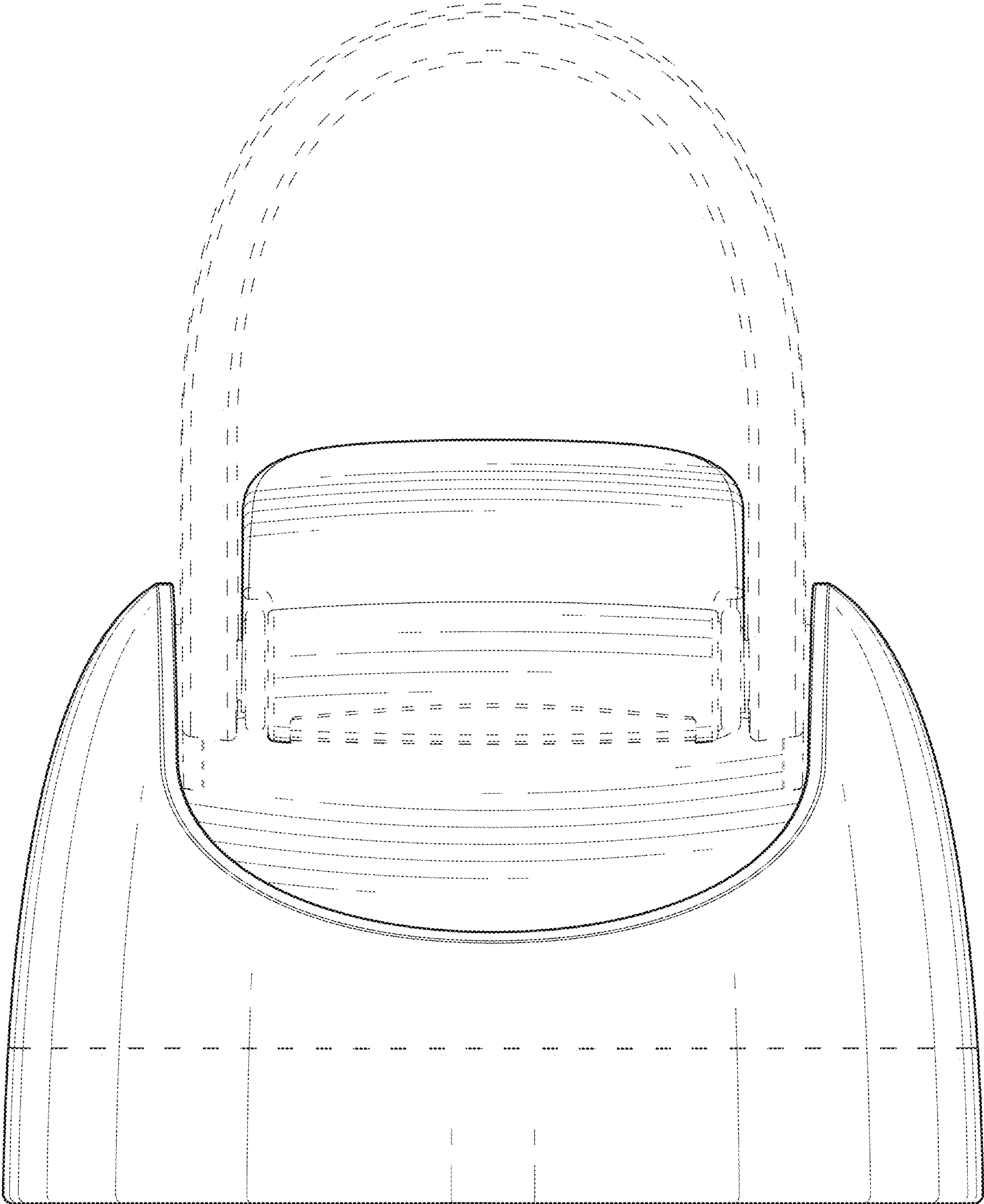


FIG. 4

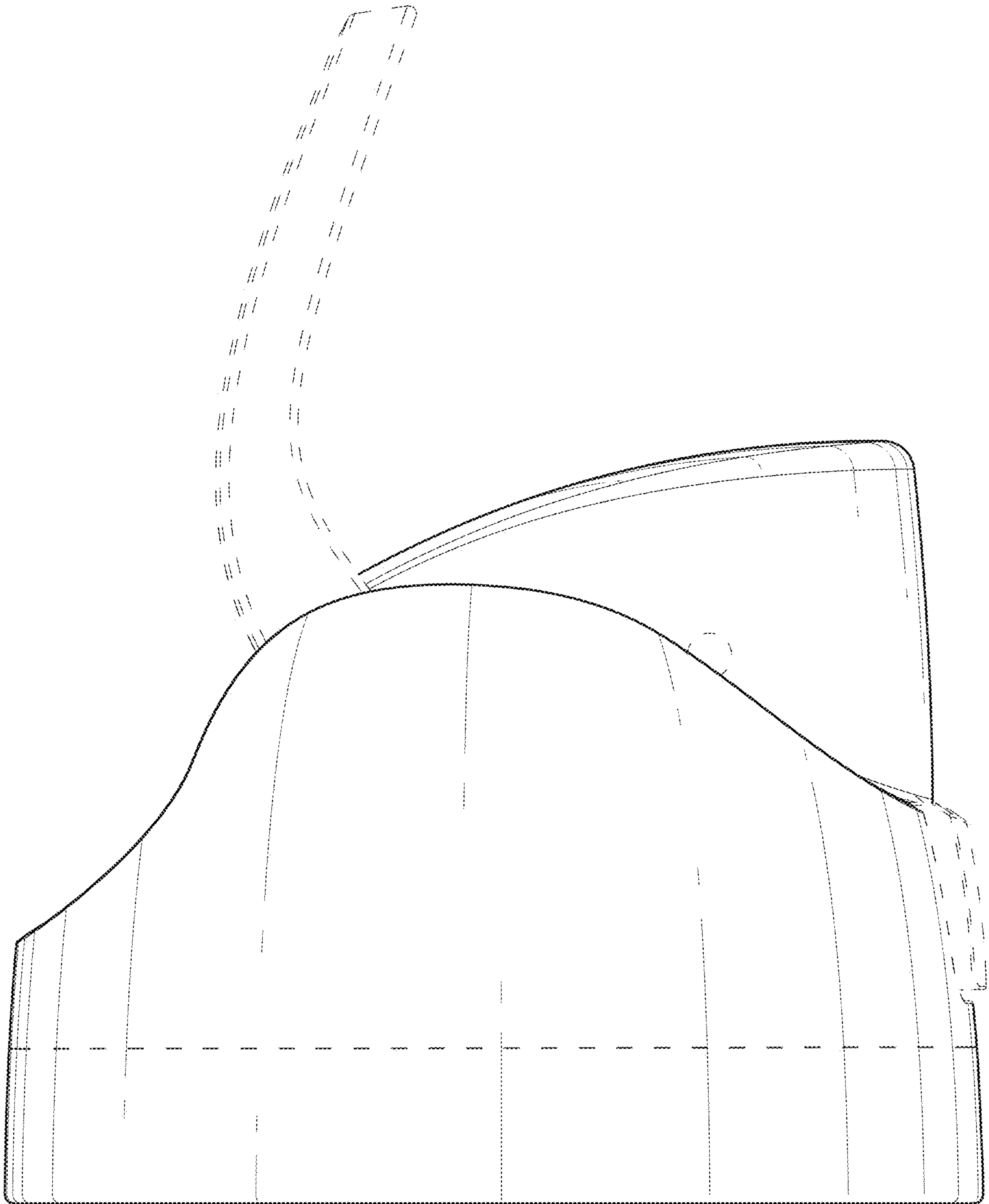


FIG. 5

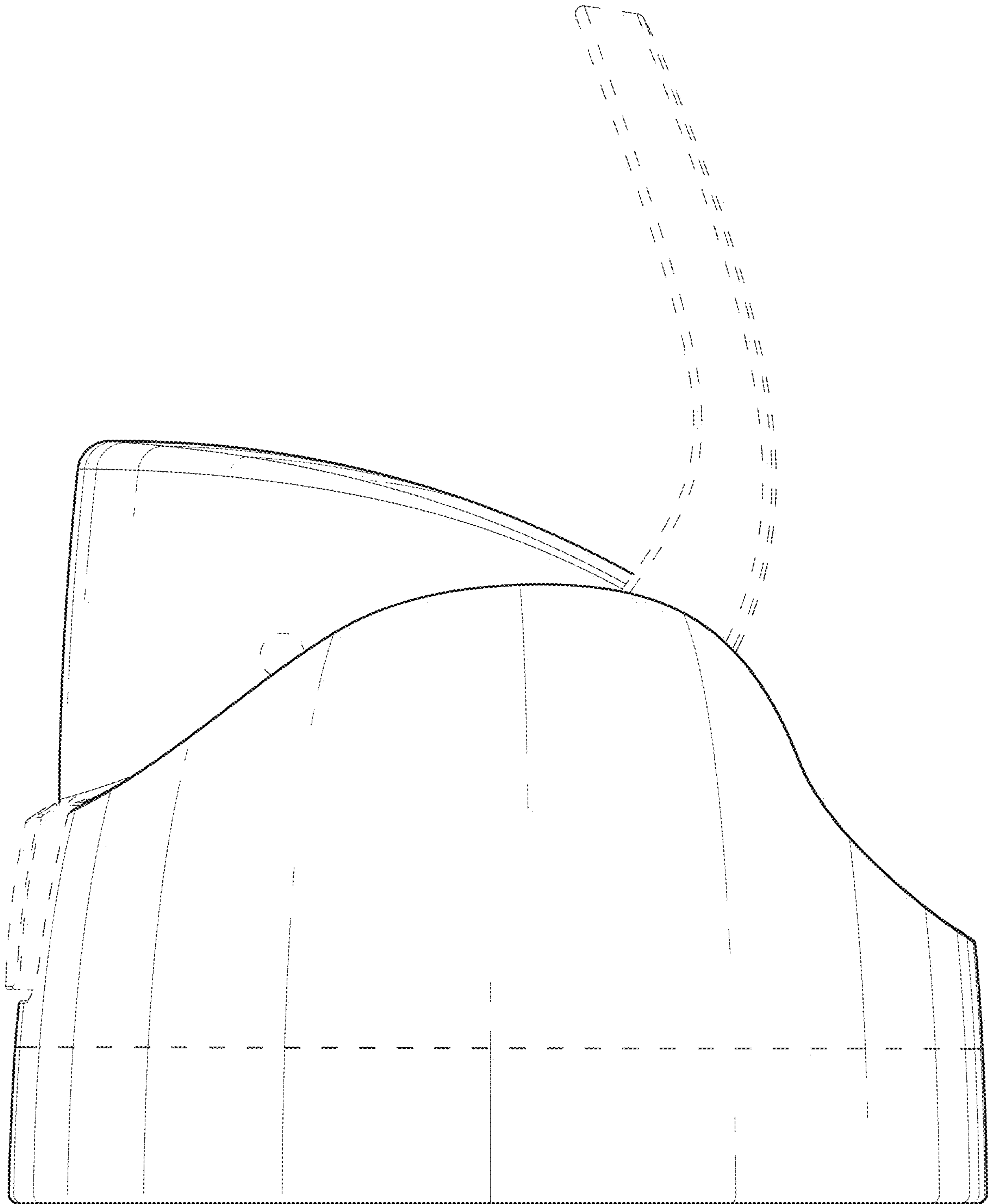


FIG. 6

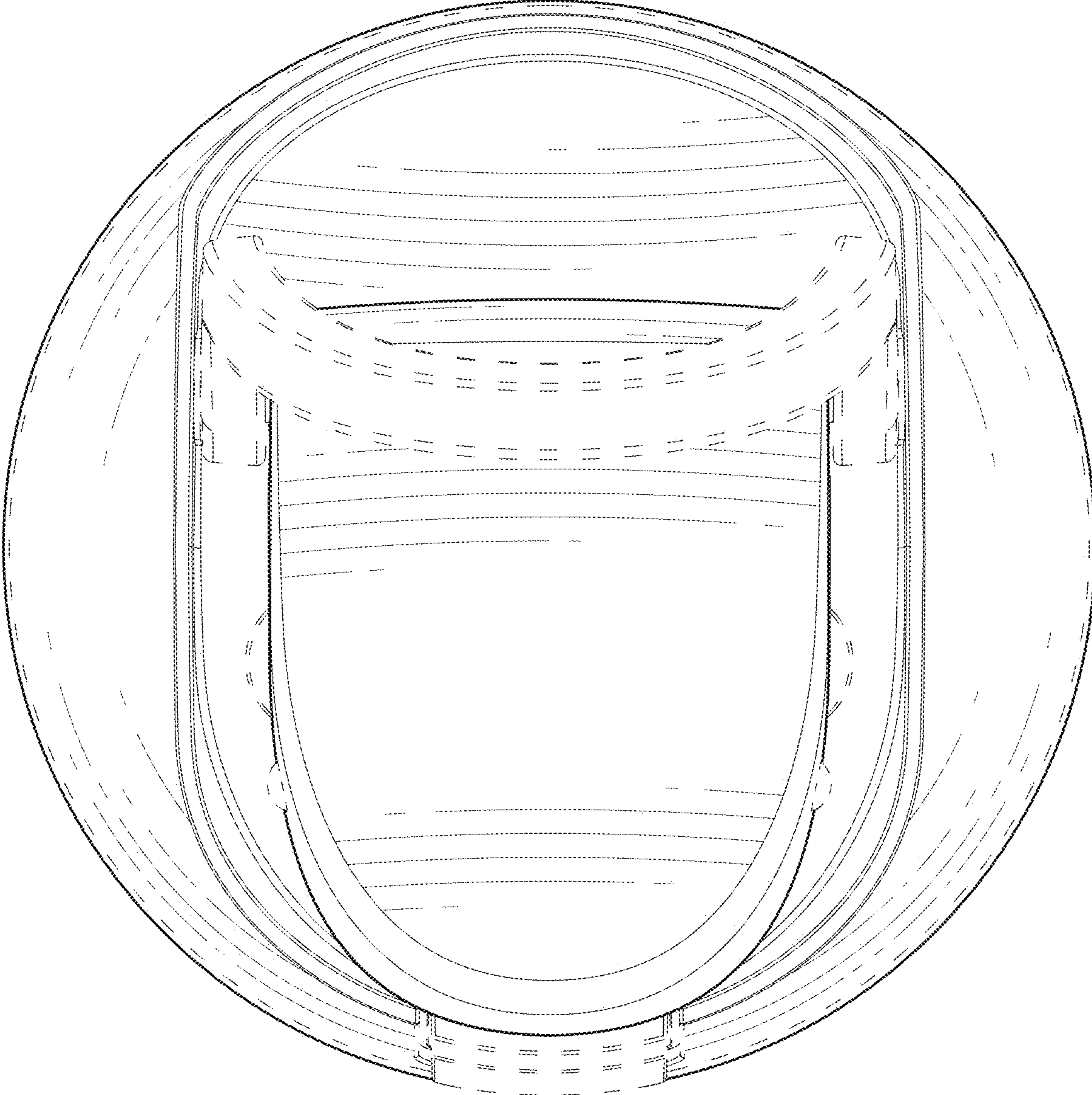


FIG. 7

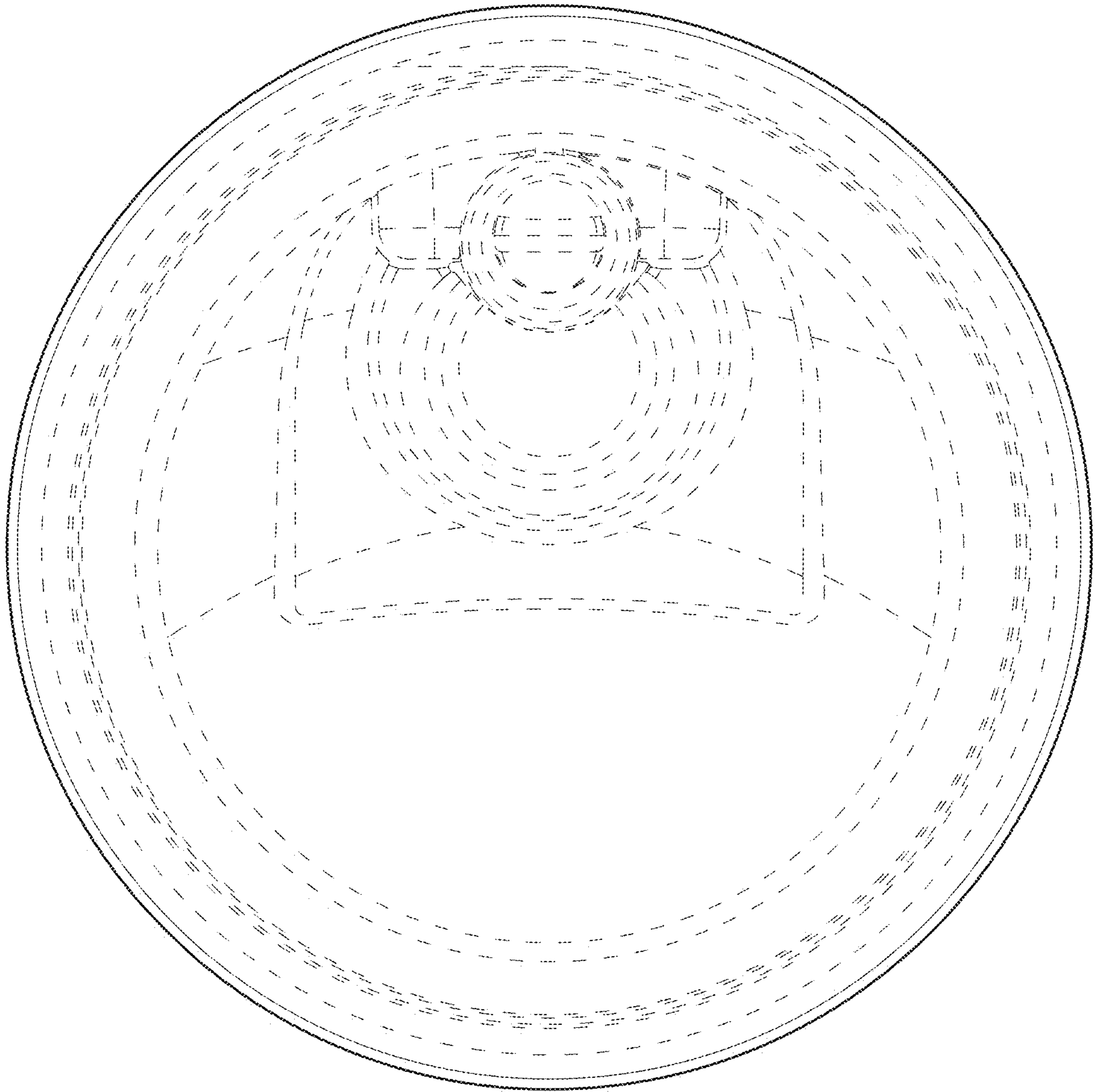


FIG. 8