



US00D884415S

(12) **United States Design Patent** (10) **Patent No.:** **US D884,415 S**
Ludwig et al. (45) **Date of Patent:** **** May 19, 2020**

(54) **PLATE COVERS**

(71) Applicant: **Whirley Industries, Inc.**, Warren, PA (US)

(72) Inventors: **Benjamin L. Ludwig**, Warren, PA (US); **Peter Dorney**, Warren, PA (US); **Matthew Schlotzhauer**, Warren, PA (US)

(73) Assignee: **Whirley Industries, Inc.**, Warren, PA (US)

(**) Term: **15 Years**

(21) Appl. No.: **29/705,125**

(22) Filed: **Sep. 10, 2019**

Related U.S. Application Data

(63) Continuation of application No. 29/686,581, filed on Apr. 5, 2019, and a continuation of application No. 16/376,042, filed on Apr. 5, 2019.

(51) **LOC (12) Cl.** **07-02**

(52) **U.S. Cl.**
USPC **D7/391; D7/354**

(58) **Field of Classification Search**
USPC D7/391, 392, 392.1, 393, 397, 610, 629;
D9/414, 424-432, 435, 447, 451-452,
D9/729

CPC A47G 19/08; A47J 36/027; A47J 36/06;
A47J 37/10; A47J 37/101; B65D
21/0209; B65D 21/0222; B65D 43/00;
B65D 43/02; B65D 43/022; B65D
43/0206; B65D 43/0208; B65D 43/0212;
B65D 43/161; B65D 43/162; B65D
45/00; B65D 45/16; B65D 45/18; B65D
51/16; B65D 51/1683; B65D 51/1688;
B65D 51/1694; B65F 1/1615
See application file for complete search history.

(56) **References Cited**

U.S. PATENT DOCUMENTS

3,375,954 A	4/1968	Honkanen et al.
3,610,458 A	10/1971	Nissley
3,794,090 A	2/1974	Commisso
3,815,736 A	6/1974	Sedlak
4,741,452 A	5/1988	Holz Kopf
5,604,130 A	2/1997	Warner et al.
5,763,831 A	6/1998	Shotey et al.
8,186,533 B1	5/2012	Tseng
D701,421 S *	3/2014	Tai D7/354

(Continued)

Primary Examiner — Ricky Pham

(74) *Attorney, Agent, or Firm* — Buchanan Ingersoll & Rooney PC

(57) **CLAIM**

The ornamental design for a plate cover, as shown and described.

DESCRIPTION

FIG. 1 is a perspective view of a first embodiment of a plate cover;

FIG. 2 is a front view of FIG. 1, wherein the rear view is a mirror image of the front view;

FIG. 3 is a left-side view of FIG. 1, wherein the right-side view is a mirror image of the left-side view;

FIG. 4 is a top view of FIG. 1;

FIG. 5 is a bottom view of FIG. 1;

FIG. 6 is a perspective view of a third embodiment of a plate cover;

FIG. 7 is a front view of FIG. 6, wherein the rear view is a mirror image of the front view;

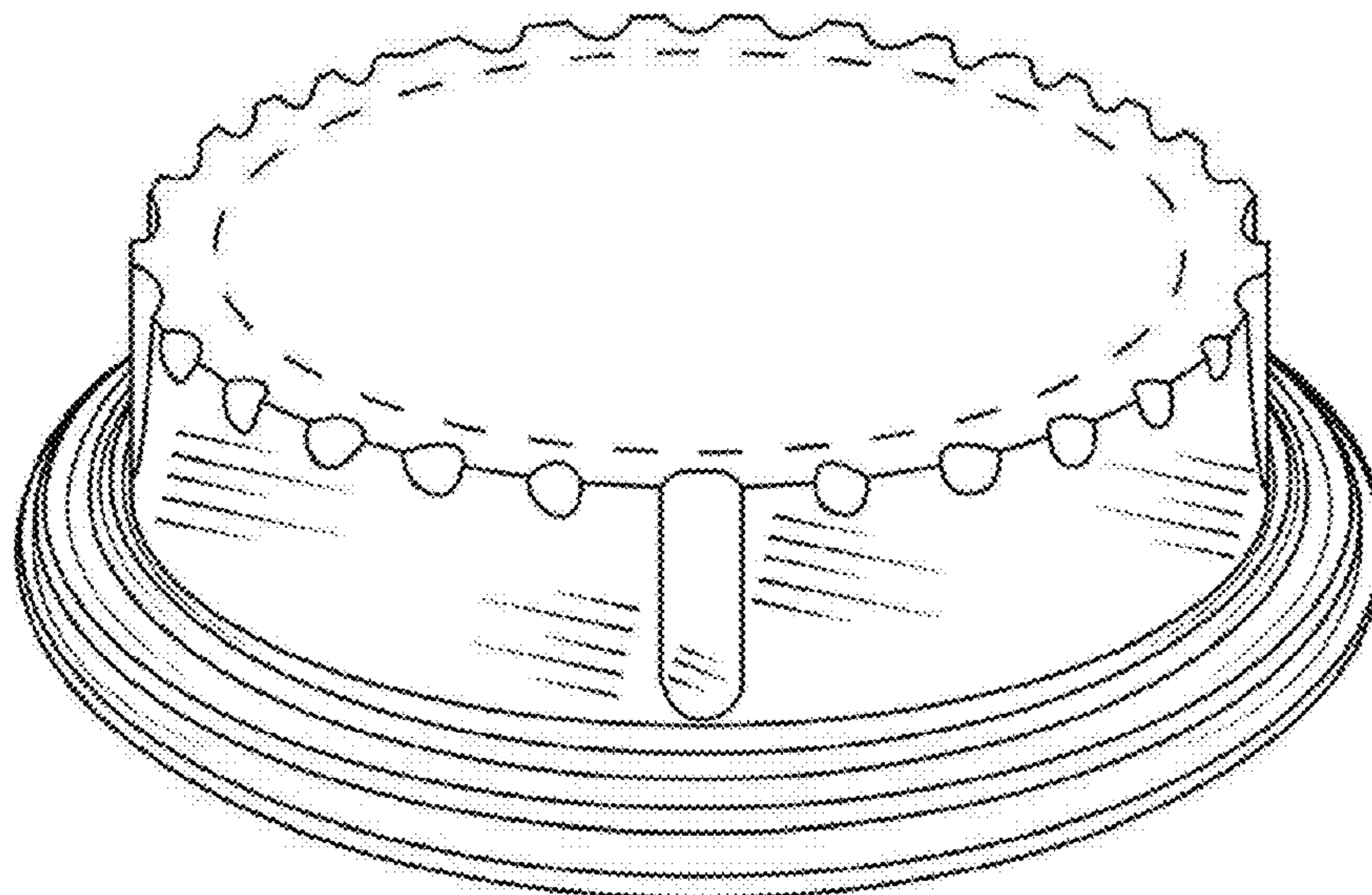
FIG. 8 is a left-side view of FIG. 6, wherein the right-side view is a mirror image of the left-side view;

FIG. 9 is a top view of FIG. 6; and,

FIG. 10 is a bottom view of FIG. 6.

The broken lines in the figures do not form part of the claimed design.

1 Claim, 10 Drawing Sheets



(56)

References Cited

U.S. PATENT DOCUMENTS

D710,157 S * 8/2014 Goodman D7/610
D767,391 S * 9/2016 Buck D9/447
D777,032 S * 1/2017 Buck D9/447
D791,615 S * 7/2017 Stravitz D9/729
D845,062 S * 4/2019 Hunter D7/391
D854,382 S * 7/2019 Bennett D7/610
2008/0105681 A1 * 5/2008 Vovan B65D 21/0222
220/288
2010/0170899 A1 * 7/2010 Mithal B65D 43/0212
220/260
2012/0031901 A1 * 2/2012 Dudson A47G 19/08
220/200
2013/0313257 A1 * 11/2013 Gartz B65D 43/267
220/262
2015/0251818 A1 * 9/2015 Strachan B65D 43/0208
220/254.8
2016/0150899 A1 * 6/2016 Onza B65D 43/0212
220/253

* cited by examiner

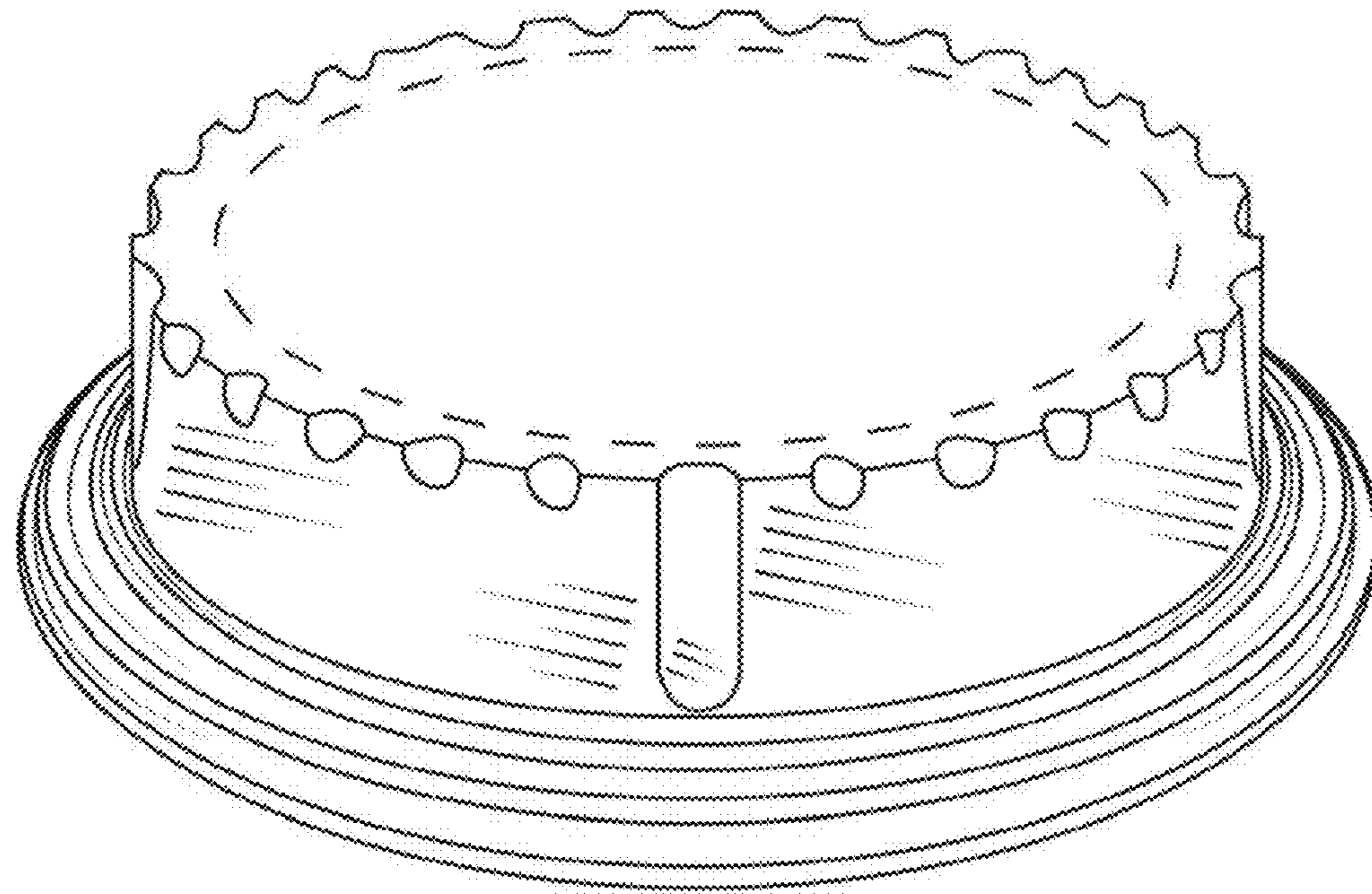


Fig. 1

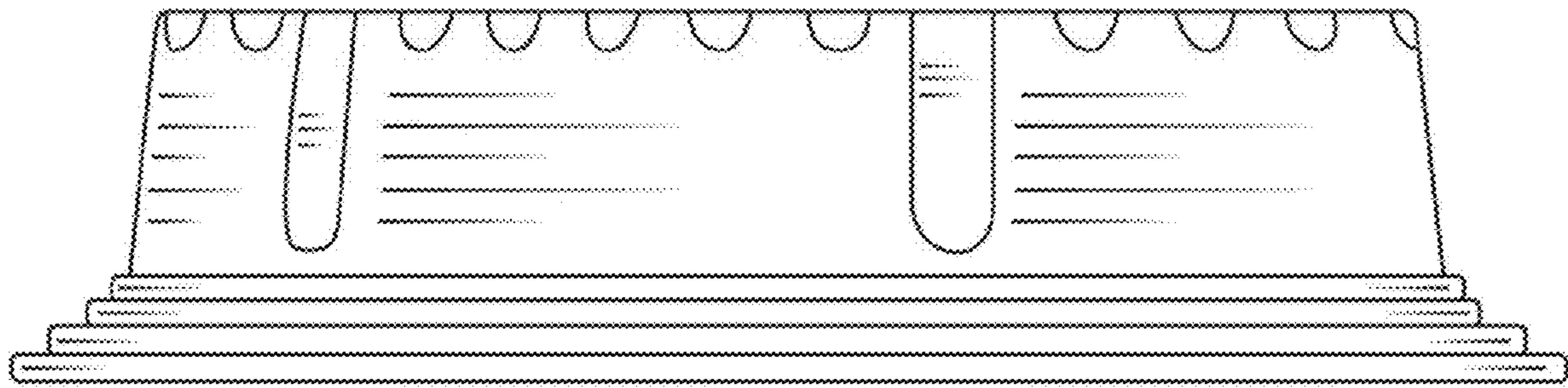


Fig. 2

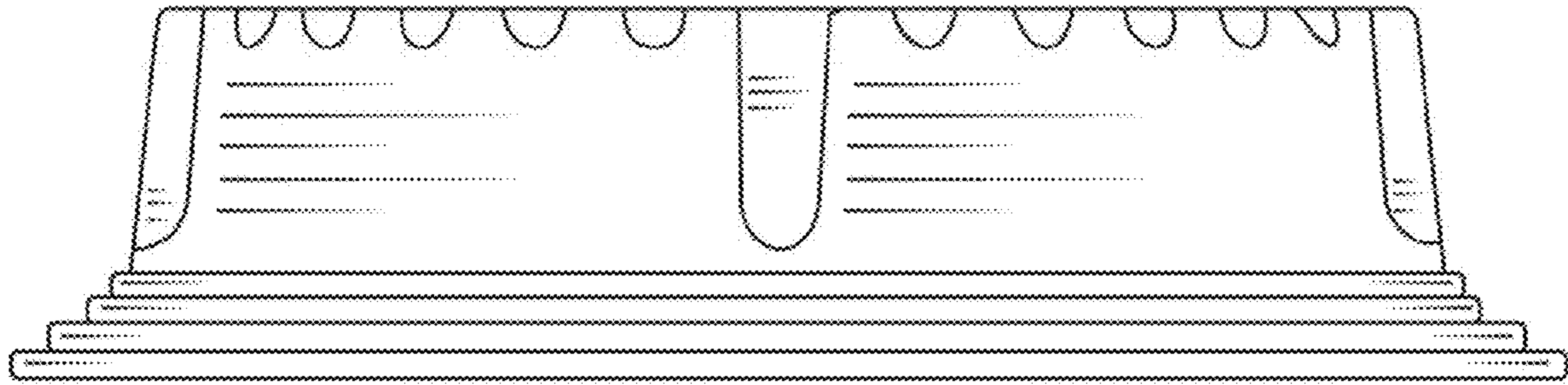


Fig. 3

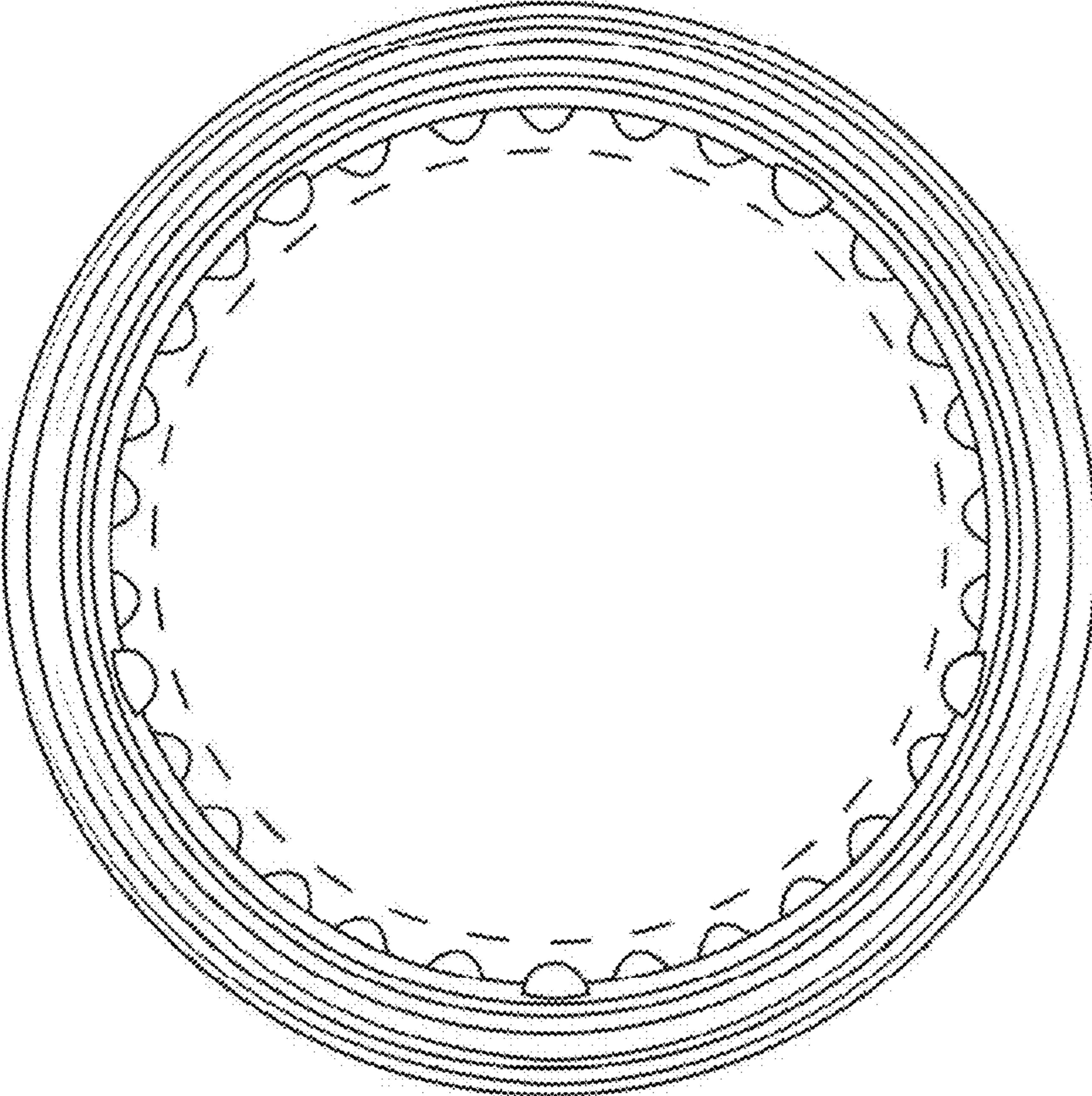


Fig. 4

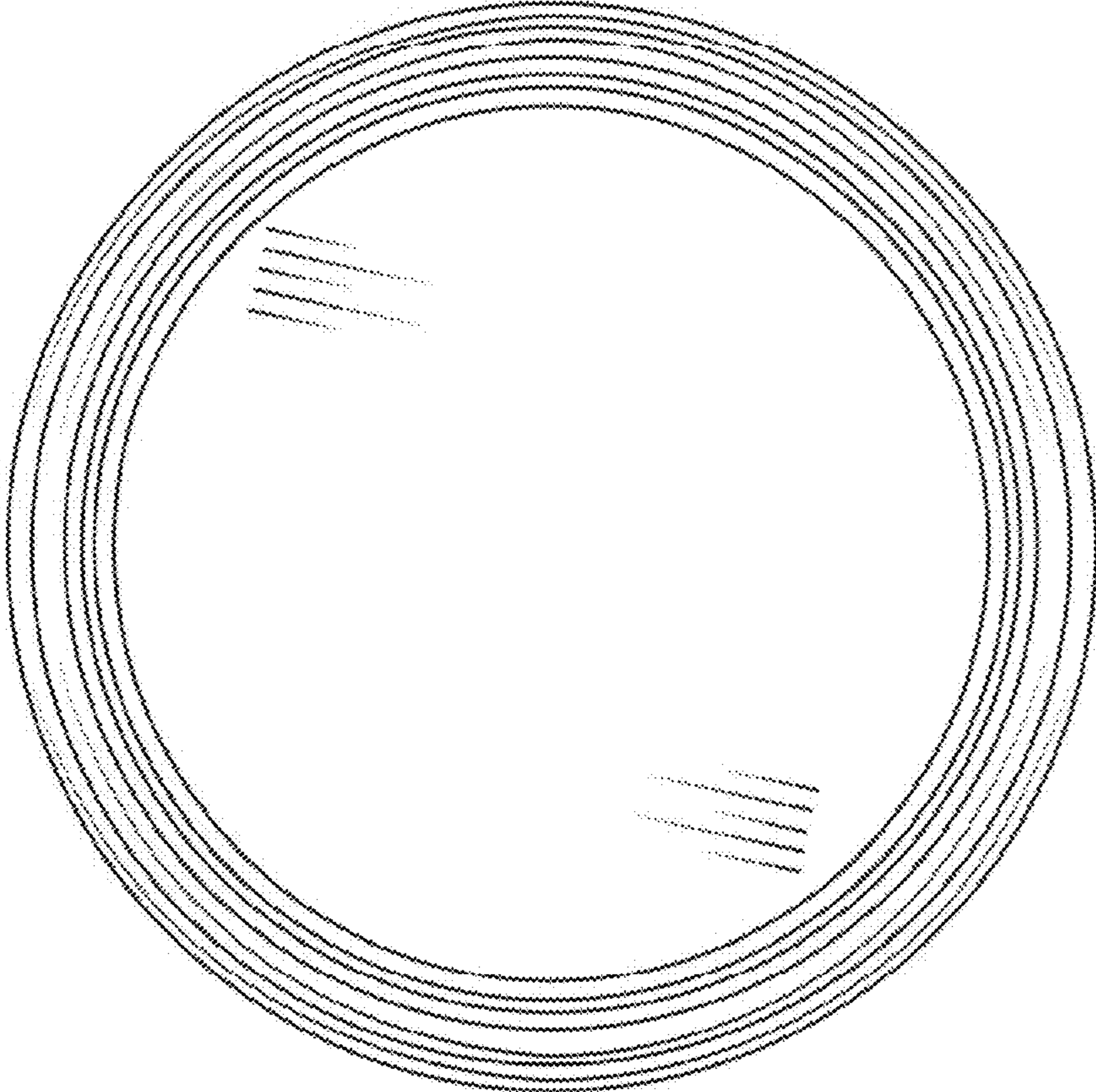


Fig. 5

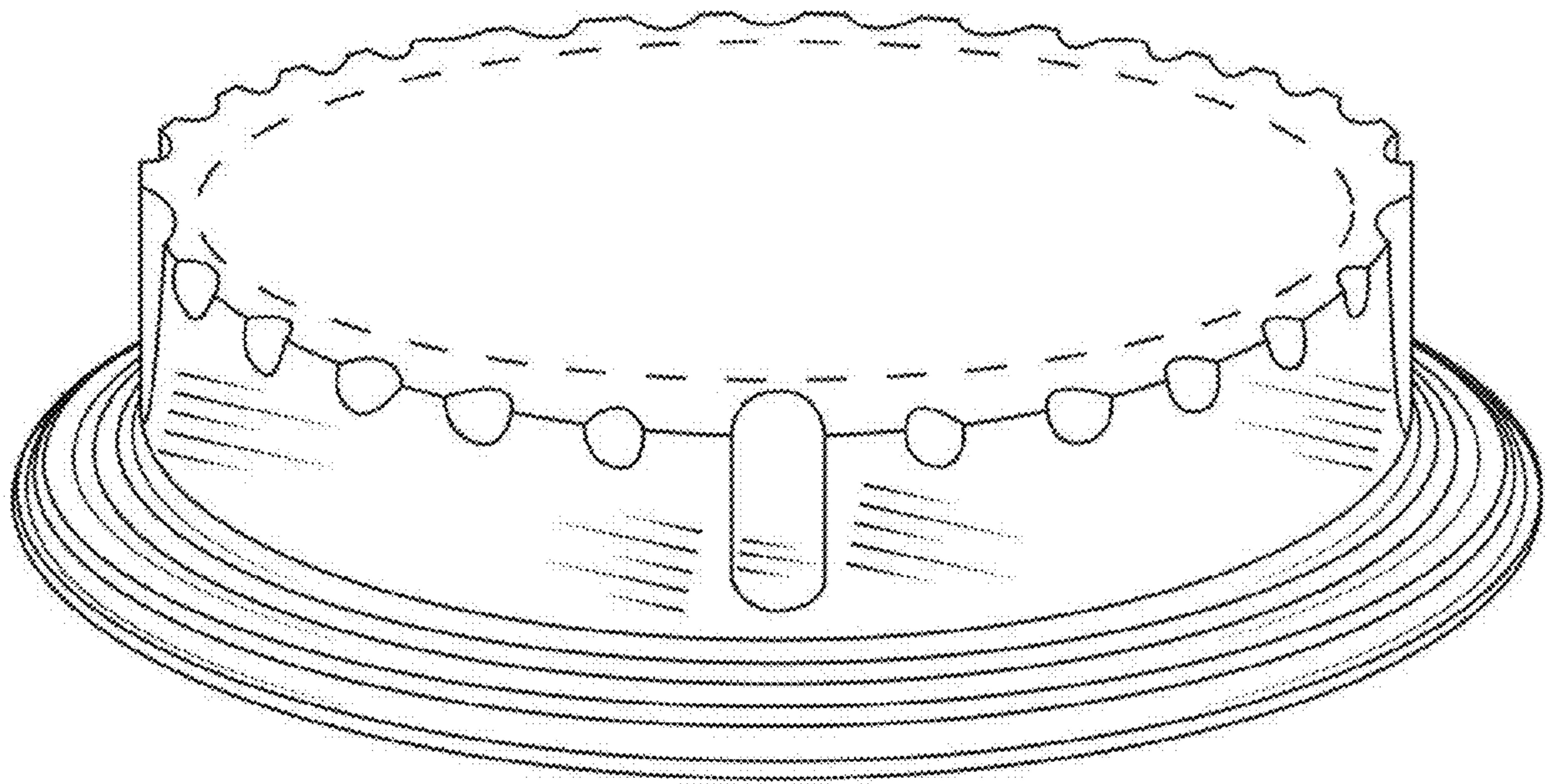


Fig. 6

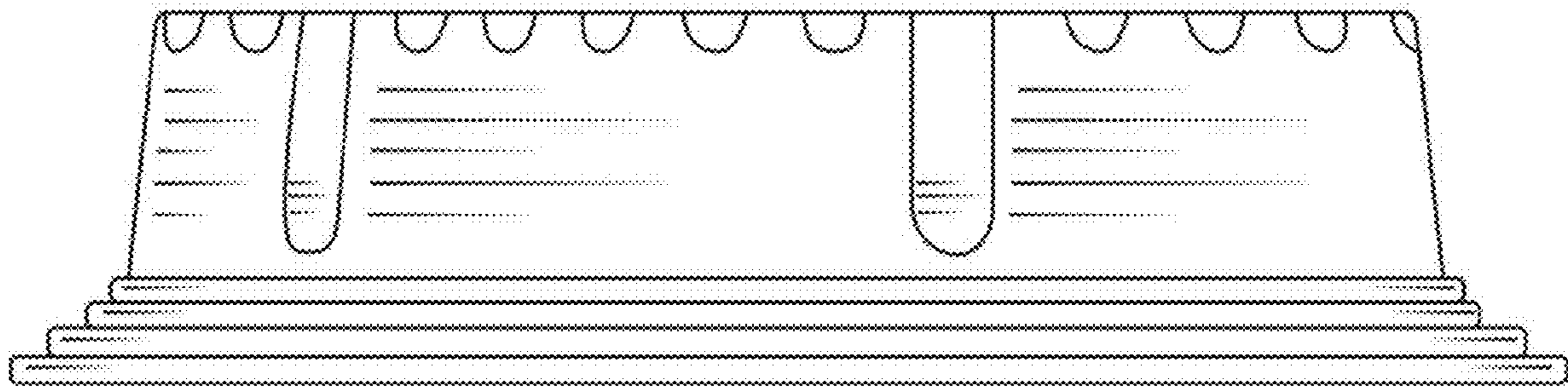


Fig. 7

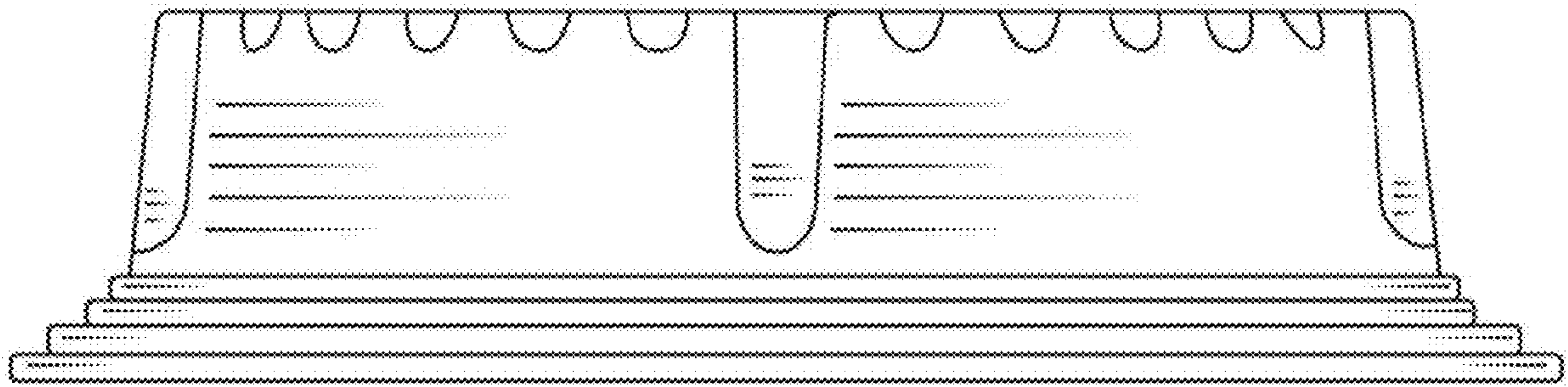


Fig. 8

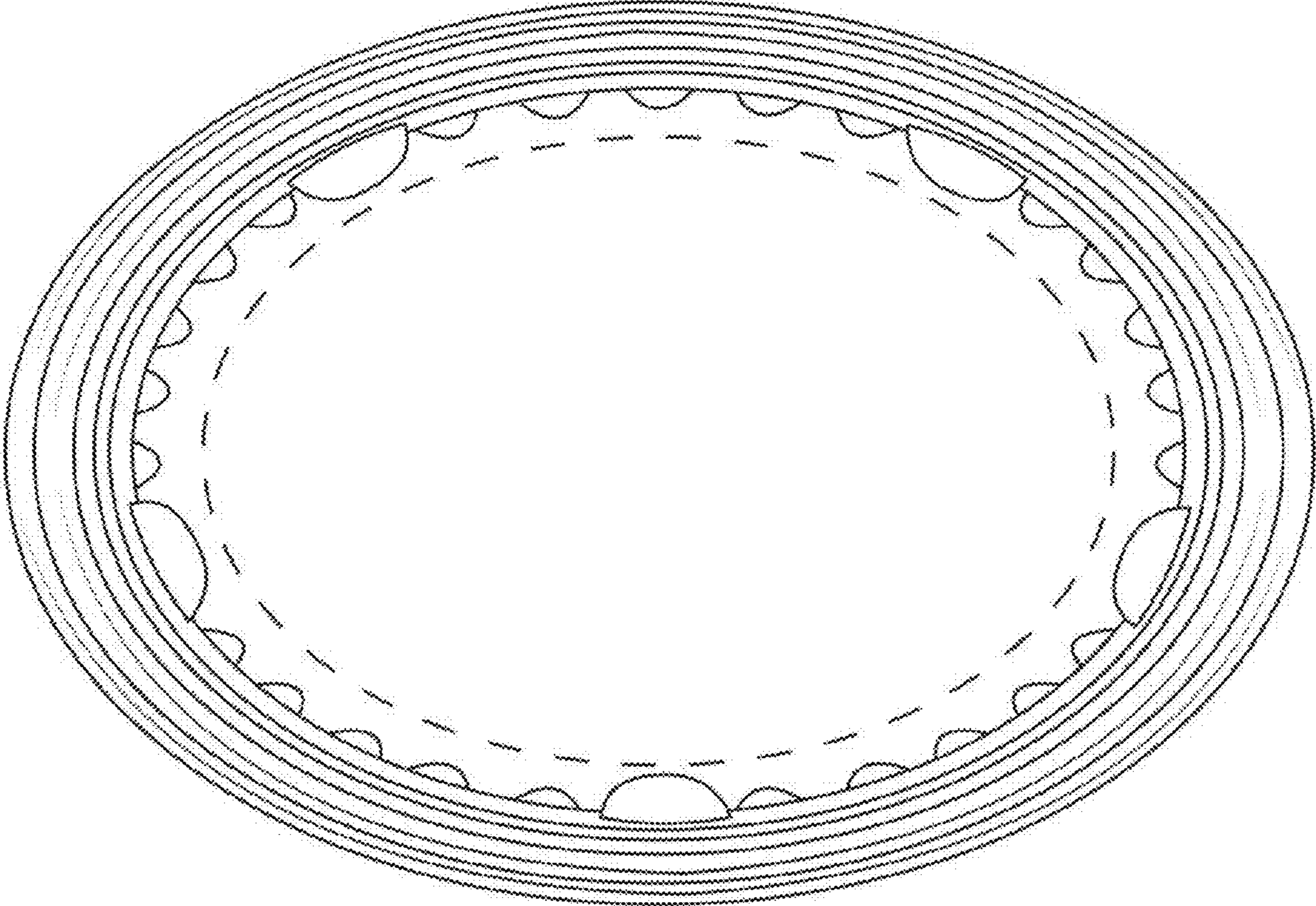


Fig. 9

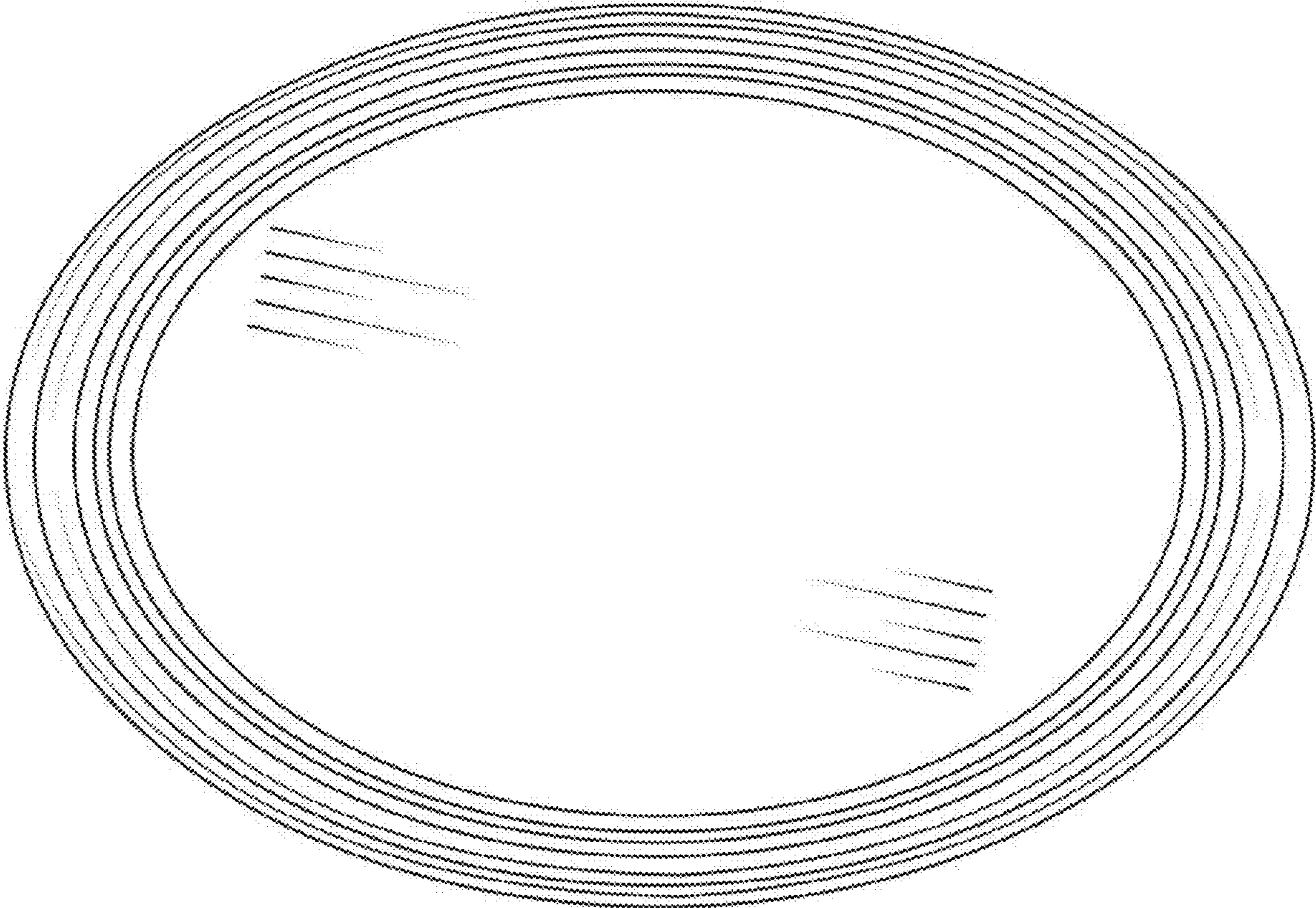


Fig. 10