



US00D884411S

(12) **United States Design Patent**
Dash et al.

(10) **Patent No.:** **US D884,411 S**

(45) **Date of Patent:** **** May 19, 2020**

(54) **EGG COOKER**

(71) Applicant: **StoreBound LLC**, New York, NY (US)

(72) Inventors: **Evan Marc Dash**, New York, NY (US);
YiYang Zhang, Brooklyn, NY (US);
I-Nung Huang, Shenzhen (CN)

(73) Assignee: **STOREBOUND LLC**, New York, NY (US)

(**) Term: **15 Years**

(21) Appl. No.: **29/673,452**

(22) Filed: **Dec. 14, 2018**

(51) **LOC (12) Cl.** **07-02**

(52) **U.S. Cl.**

USPC **D7/357**; D7/354

(58) **Field of Classification Search**

USPC D7/323, 325, 354-361, 500, 503;
D19/85; D28/38

CPC A01K 41/02; A01K 41/023; A01K 41/026;
A01K 41/06; A21B 5/02; A21B 5/026;
A21B 5/04; A23B 5/00; A23B 5/005;
A23B 5/0052; A47J 27/00; A47J 27/004;
A47J 29/00; A47J 29/02; A47J 29/04;
A47J 29/06; A47J 36/025; A47J 36/06;
A47J 36/12; A47J 37/015

See application file for complete search history.

(56) **References Cited**

U.S. PATENT DOCUMENTS

D161,793 S * 1/1951 Sellon, Jr. D7/354
2,807,701 A * 9/1957 Conlin A47J 37/015
99/440
3,166,005 A * 1/1965 Jepson A47J 29/02
99/440
D299,903 S 2/1989 Griitzke
D317,548 S * 6/1991 Yeh D7/354
D335,794 S * 5/1993 Bonano D7/354
D363,140 S * 10/1995 Accumanno D28/38

D436,286 S * 1/2001 Lin D7/354
D545,614 S * 7/2007 Kim D7/357
D569,677 S * 5/2008 Poon D7/357
D609,523 S * 2/2010 Mai D7/354

(Continued)

OTHER PUBLICATIONS

Brentwood TS-1045BK Electric 7 Egg Cooker with Auto Shut Off, Black, Internet site: <https://www.walmart.com/ip/Brentwood-Appliances-Ts-1045bk-Electric-Egg-Cooker-With-Auto-Shutoff-black/122695741>, downloaded Dec. 31, 2019.

(Continued)

Primary Examiner — Ricky Pham

(74) *Attorney, Agent, or Firm* — Belles Katz LLC

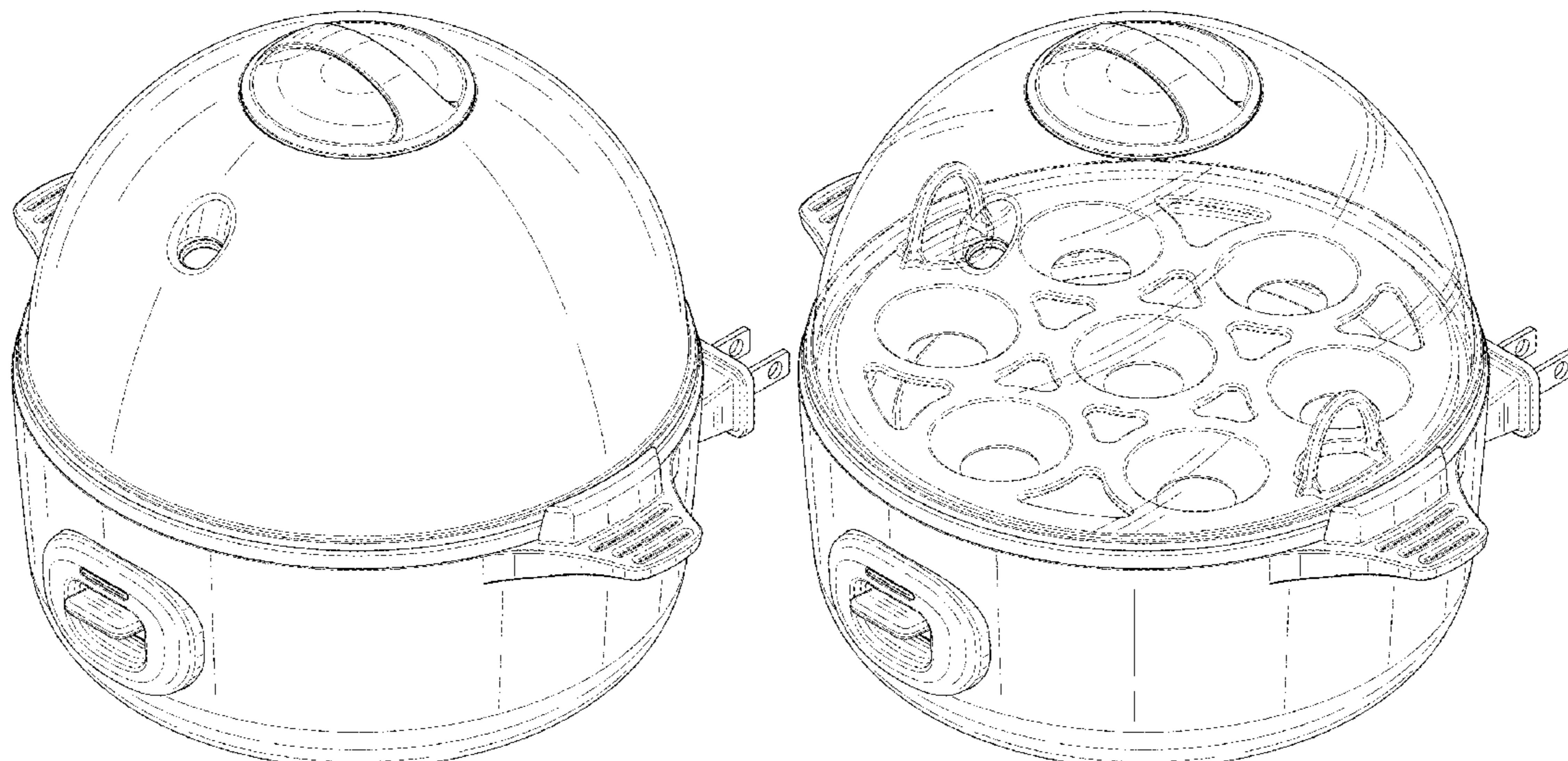
(57) **CLAIM**

The ornamental design for an egg cooker, as shown and described.

DESCRIPTION

FIG. 1 is a front perspective view of an egg cooker according to a first embodiment of the new design;
FIG. 2 is a rear perspective view thereof;
FIG. 3 is a front view thereof;
FIG. 4 is a rear view thereof;
FIG. 5 is a left side view thereof;
FIG. 6 is a right side view thereof;
FIG. 7 is a top view thereof;
FIG. 8 is a bottom view thereof;
FIG. 9 is a front perspective view of an egg cooker according to a second embodiment of the new design;
FIG. 10 is a rear perspective view thereof;
FIG. 11 is a front view thereof;
FIG. 12 is a rear view thereof;
FIG. 13 is a left side view thereof;
FIG. 14 is a right side view thereof;
FIG. 15 is a top view thereof; and,
FIG. 16 is a bottom view thereof.

1 Claim, 16 Drawing Sheets



(56)

References Cited

U.S. PATENT DOCUMENTS

D638,475 S * 5/2011 Hung D19/85
 D640,086 S * 6/2011 Day D7/354
 D812,406 S * 3/2018 Schantz D7/325

OTHER PUBLICATIONS

Central 10-Egg Stainless Steel Egg Cooker by Cuisinart, Internet site: https://www.homedepot.com/pep/Cuisinart-Central-10-Egg-Stainless-Steel-Egg-Cooker-CEC-10/205145177?mtc=Shopping-BA-F_HDH-G-D29B-29_28_SMALL_ELECTRICS-MULTI-NA-Feed-PLA-NA-NA-Cookers&cm_mmc=Shopping-BA-F_HDH-G-D29B-29_28_SMALL_ELECTRICS-MULTI-NA-Feed-PLA-NA-NA-Cookers-71700000048833951-58700005310601548-92700047118403772&gclid=CjwKCAiA9JbwBRAAEiwAnWa4Qy86aLwKrm0Yz8EY6SghW9v0_OnmTQQwOP3w2I0PYoEBfrAAMvfhxBoCrIMQAvD_BwE&gclid=aw.ds, downloaded Dec. 31, 2019.

Chefman—Electric Egg Cooker—Black, Internet site: https://www.google.com/imgres?imgurl=https%3A%2F%2Fpisces.bbystatic.com%2Fimage%2FBestBuy_US%2Fimages%2Fproducts%2F5852%2F5852304_sd.jpg&imgrefurl=https%3A%2F%2Fwww.bestbuy.com%2Fsite%2Fchefman-electric-egg-cooker-black%2F5852304.p%3FskuId%3D5852304&docid=1Fa-eRizyOP7fM&tbnid=_tYV-T46ood2kM%3A&vet=10ahUKEwiE5MDJxDbmAhWETN8KHfKqAAYQMwivAygVMBU..i&w=1000&h=952&bih=680&biw=

1356&q=electric%20egg%20cooker&ved=0ahUKEwiE5MDJxDbmAhWETN8KHfKqAAYQMwivAygVMBU&iact=mr&uact=8, downloaded Dec. 31, 2019.

Dash Rapid Egg Cooker, Internet site: <https://www.bydash.com/product/dash-rapid-egg-cooker/>, downloaded Dec. 31, 2019.

Elite Home, Stainless Steel Easy Egg Cooker, Internet site: https://www.steinmart.com/product/stainless+steel+easy+egg+cooker+64460249.do?pup_e=1&pup_cid=137610&pup_id=64460264&kid=7c04bc8d-ff96-4b6c-a401-9cbf91e527d4&utm_medium=&utm_term=&utm_content=&utm_campaign=&camp=ppc:google:NTZ|PLA|Kitchen&Dining:Non-Brand:SmallElectrics:all\home\kitchen&dining\smallelectrics&crtp=paidsearch&gclid=CjwKCAiA9JbwBRAAEiwAnWa4Q1xf3hmo-OHRf2qdrulxfrJgFWwO_Rm1OpkcSKvN7MQOmSkmHMmD9RoC92MQAvD_BwE, downloaded Dec. 31, 2019.

Hamilton Beach Electric Egg Cooker and Poacher for Soft, Hard Boiled or Poached with Ready Timer, Holds 7, Black (25500), Internet site: [Perfect Poacher™ Electric Egg Cooker, Internet site: <https://www.modernbeyond.com/products/perfect-poacher-electric-egg-cooker>, downloaded Dec. 31, 2019.](https://www.google.com/imgres?imgurl=https%3A%2F%2Fimages-na.ssl-images-amazon.com%2Fimages%2FI%2F7liGbJ31YgL._AC_SY450_.jpg&imgrefurl=https%3A%2F%2Fwww.amazon.com%2FHamilton-Beach-25500-Cooker-Poaching%2Fdp%2FB00_F0R72JU&docid=Oilmxq9ng_VxeM&tbnid=Tpp3kzxHIF8kEM%3A&vet=10ahUKEwiE5MDJxDbmAhWETN8KHfKqAAYQMwisAygUMBQ..i&w=447&h=450&bih=680&biw=1356&q=electric%20egg%20cooker&ved=0ahUKEwiE5MDJxDbmAhWETN8KHfKqAAYQMwisAygUMBQ&iact=mr&uact=8, downloaded Dec. 31, 2019.</p>
</div>
<div data-bbox=)

* cited by examiner

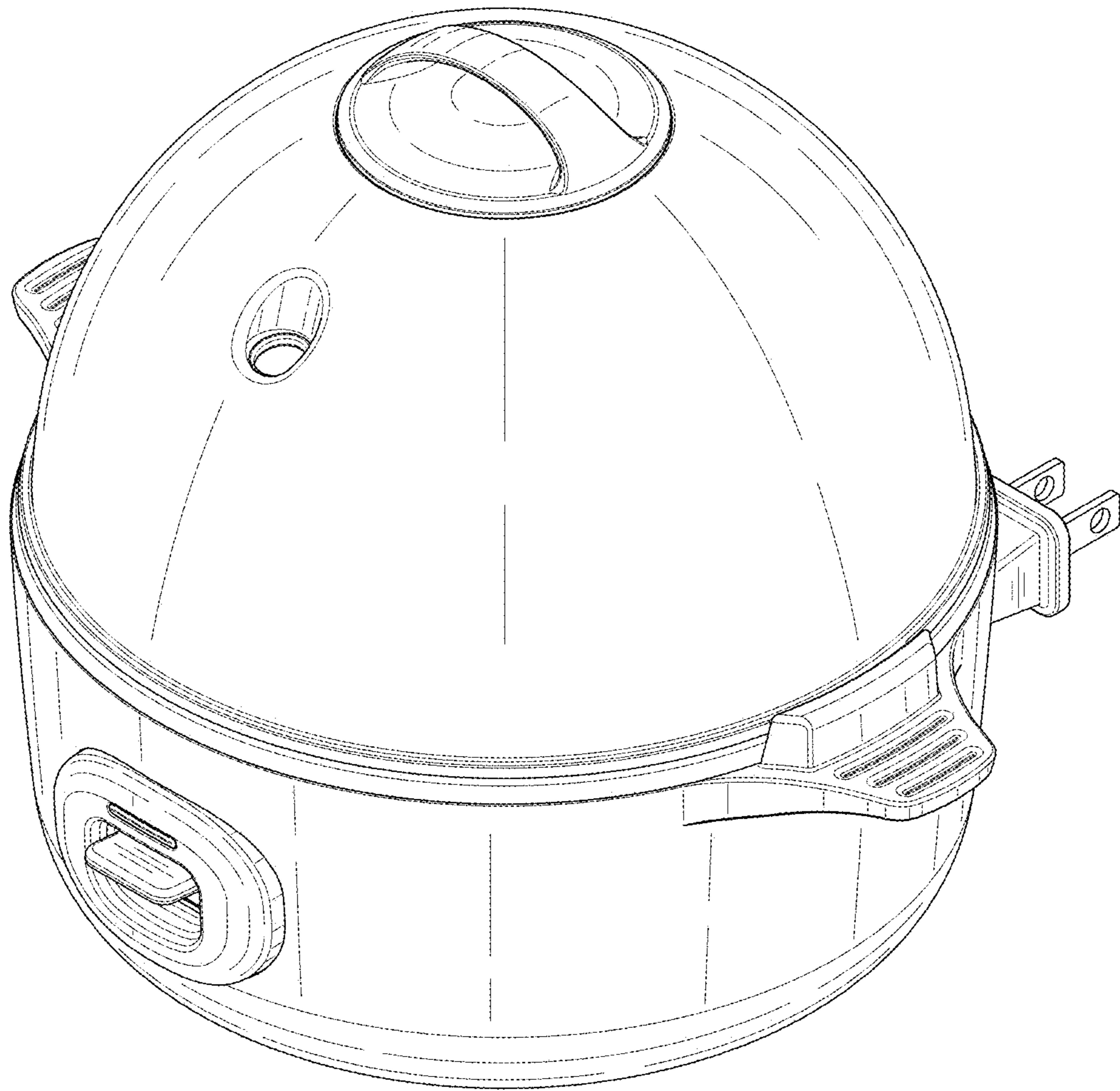


FIG. 1

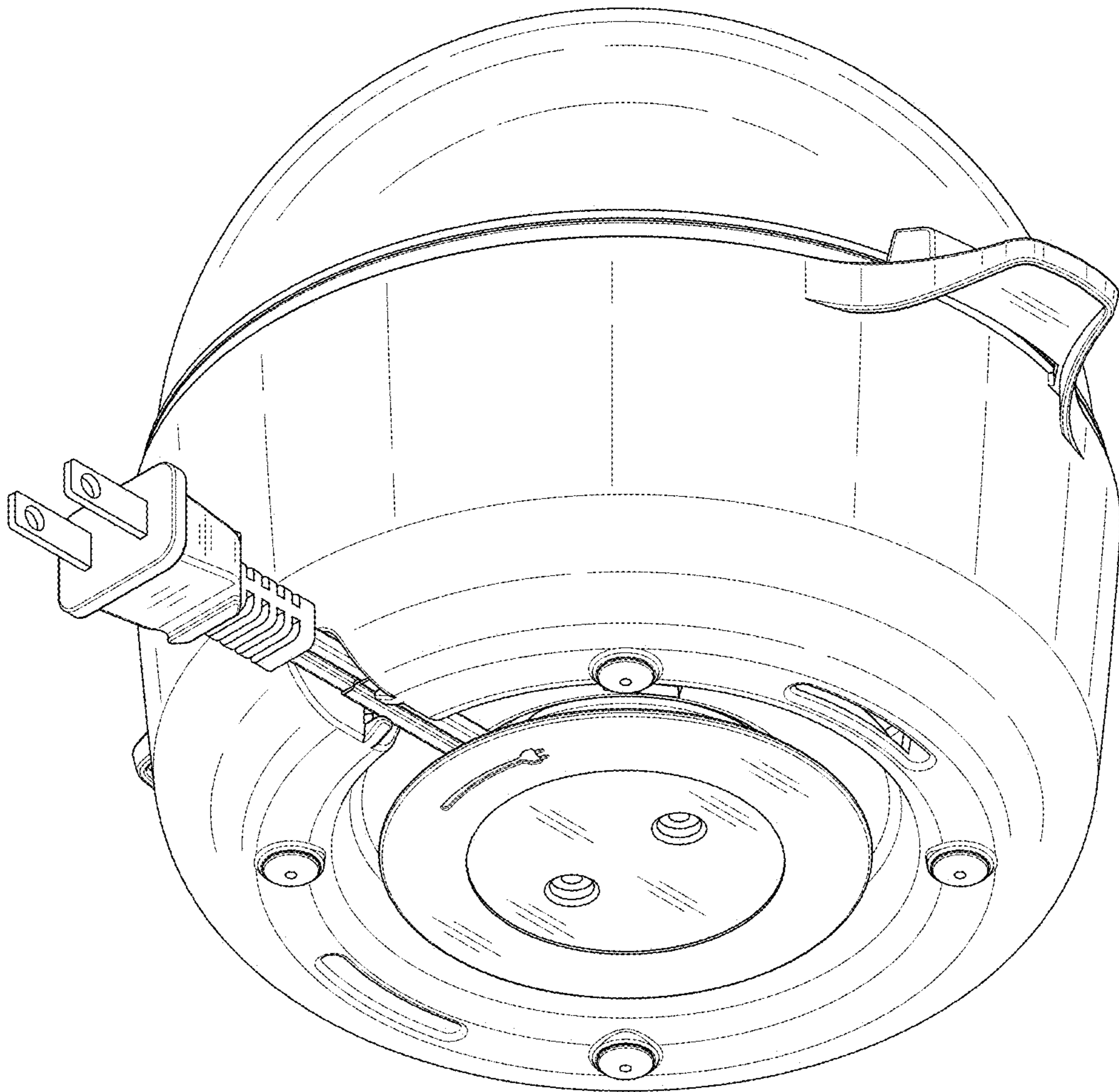


FIG. 2

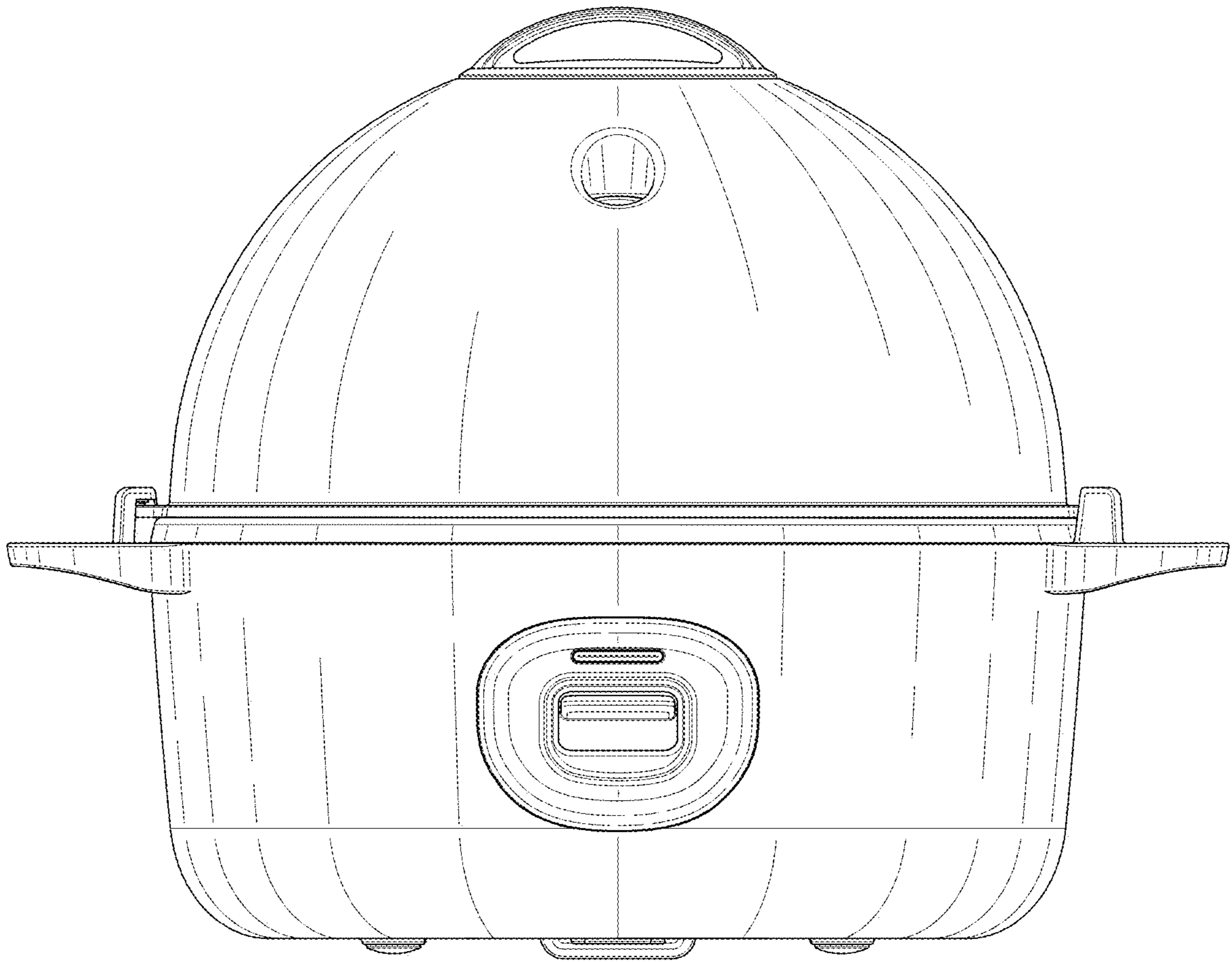


FIG. 3

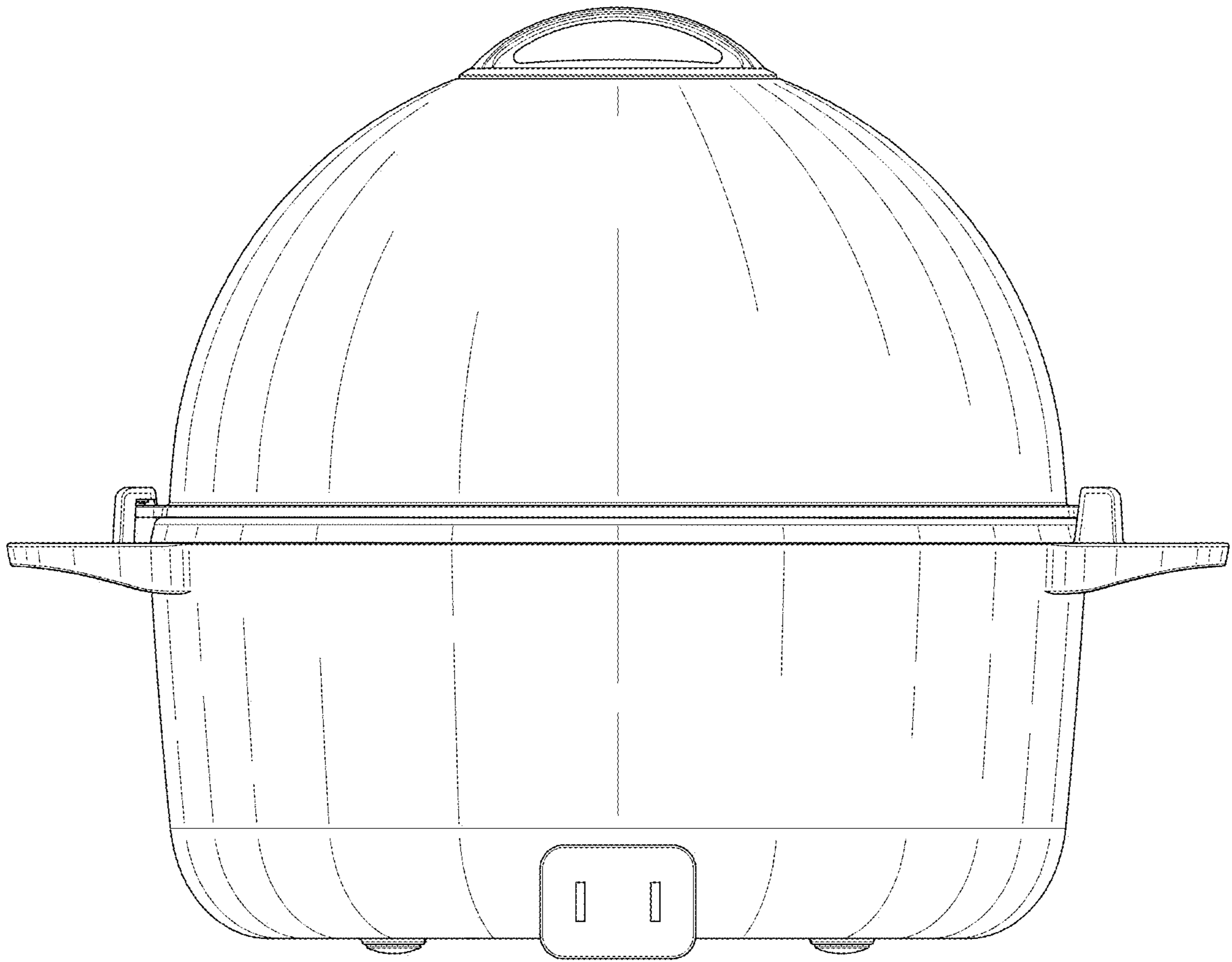


FIG. 4

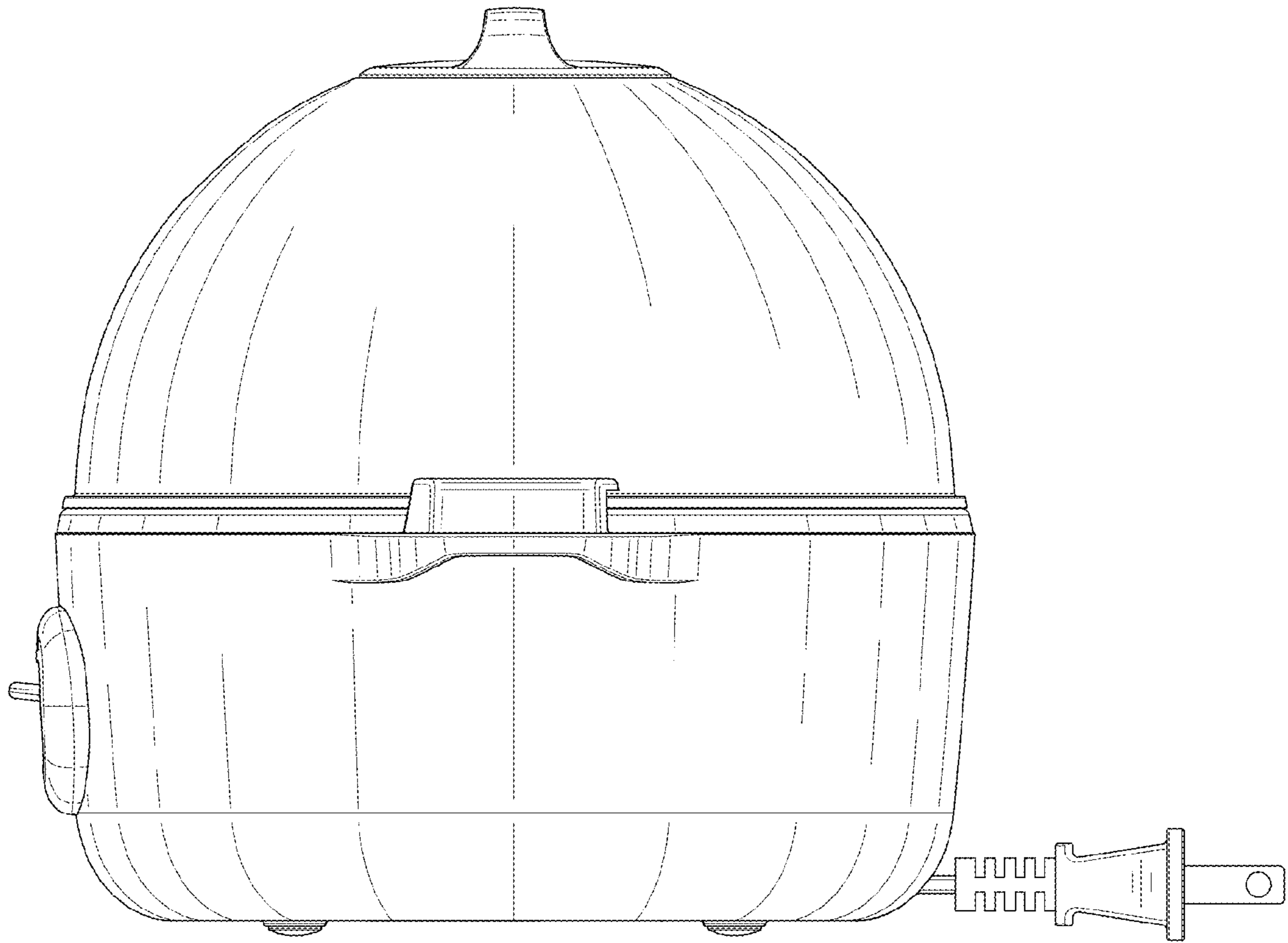


FIG. 5

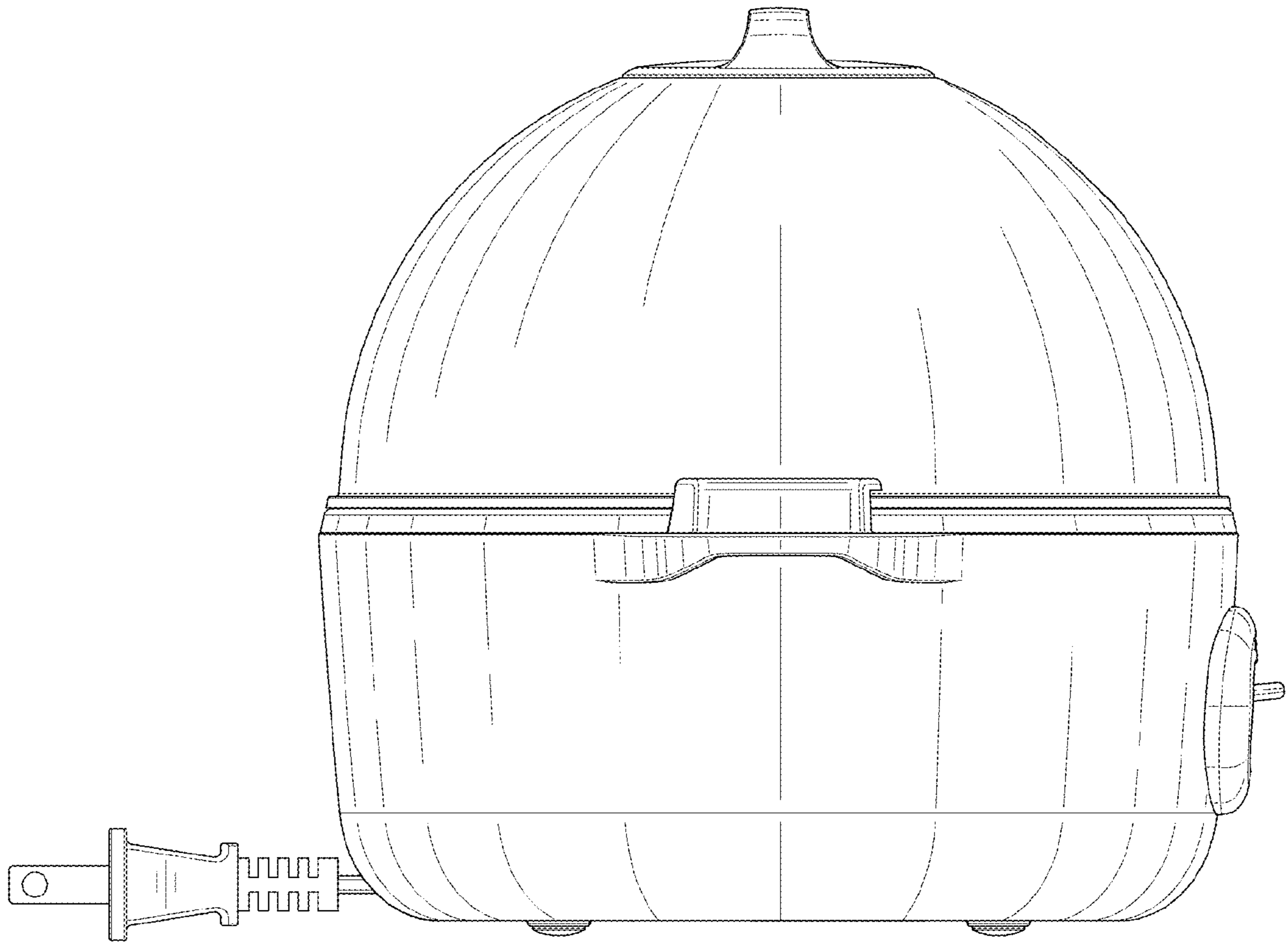


FIG. 6

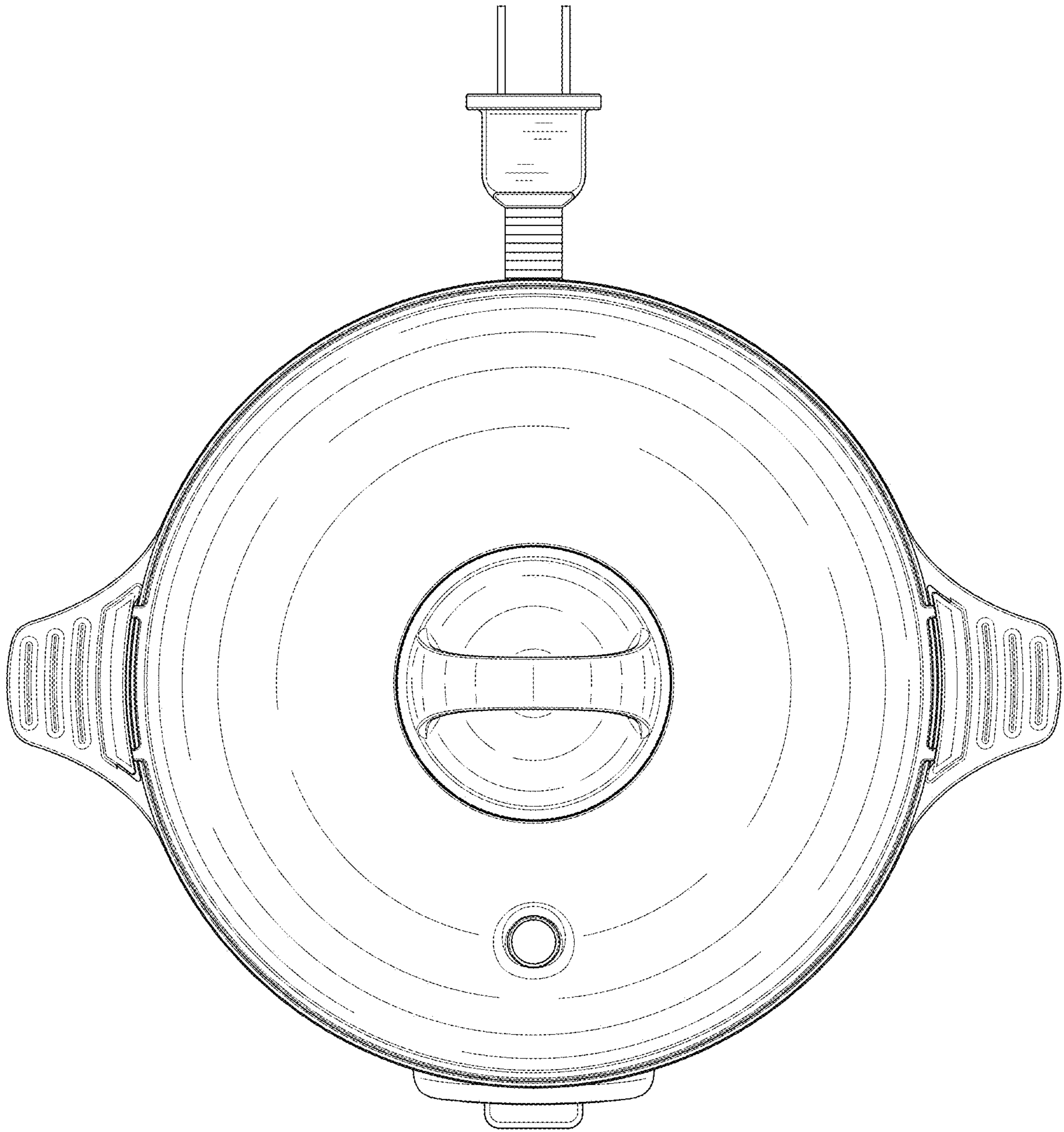


FIG. 7

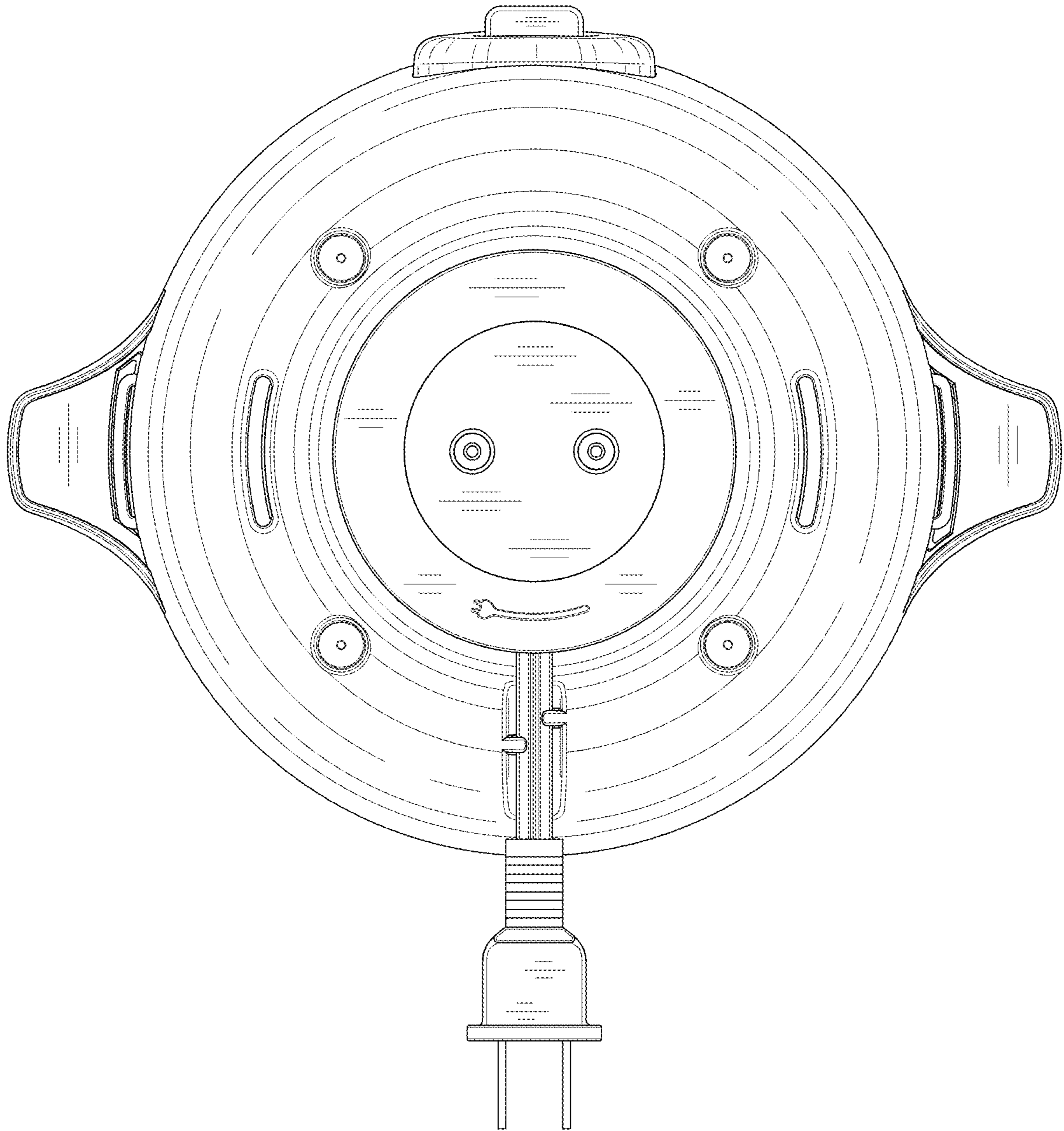


FIG. 8

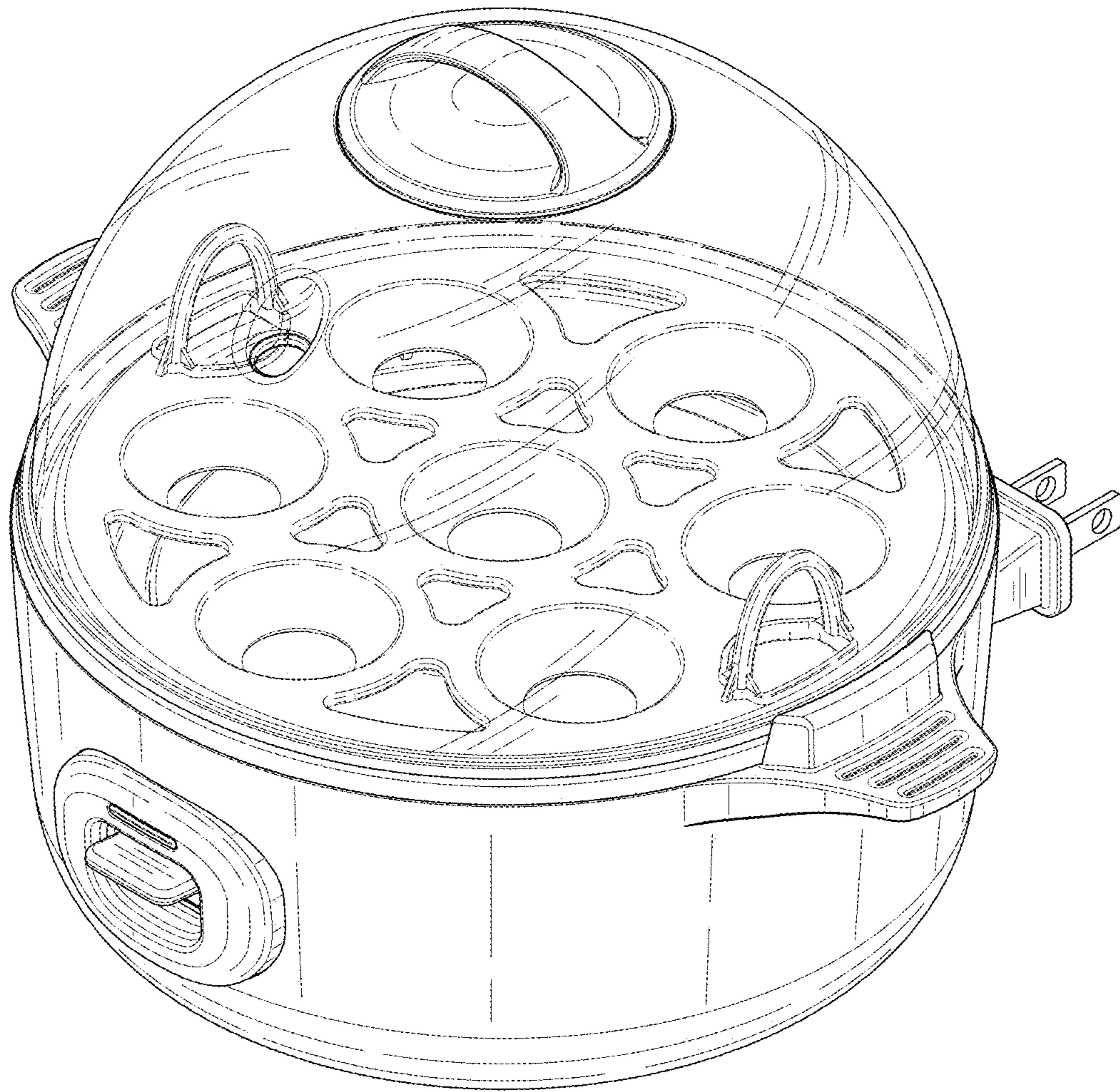


FIG. 9

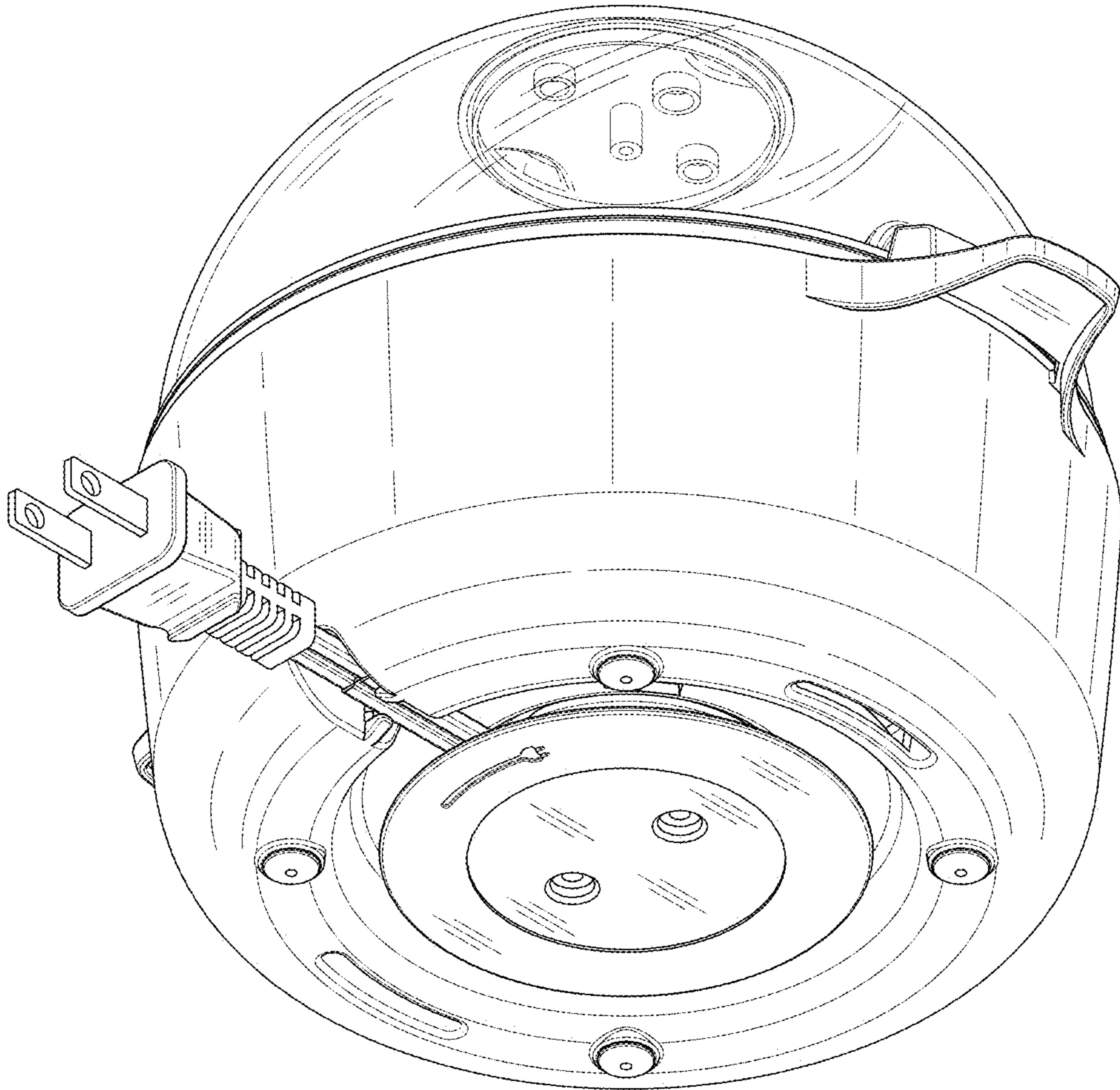


FIG. 10

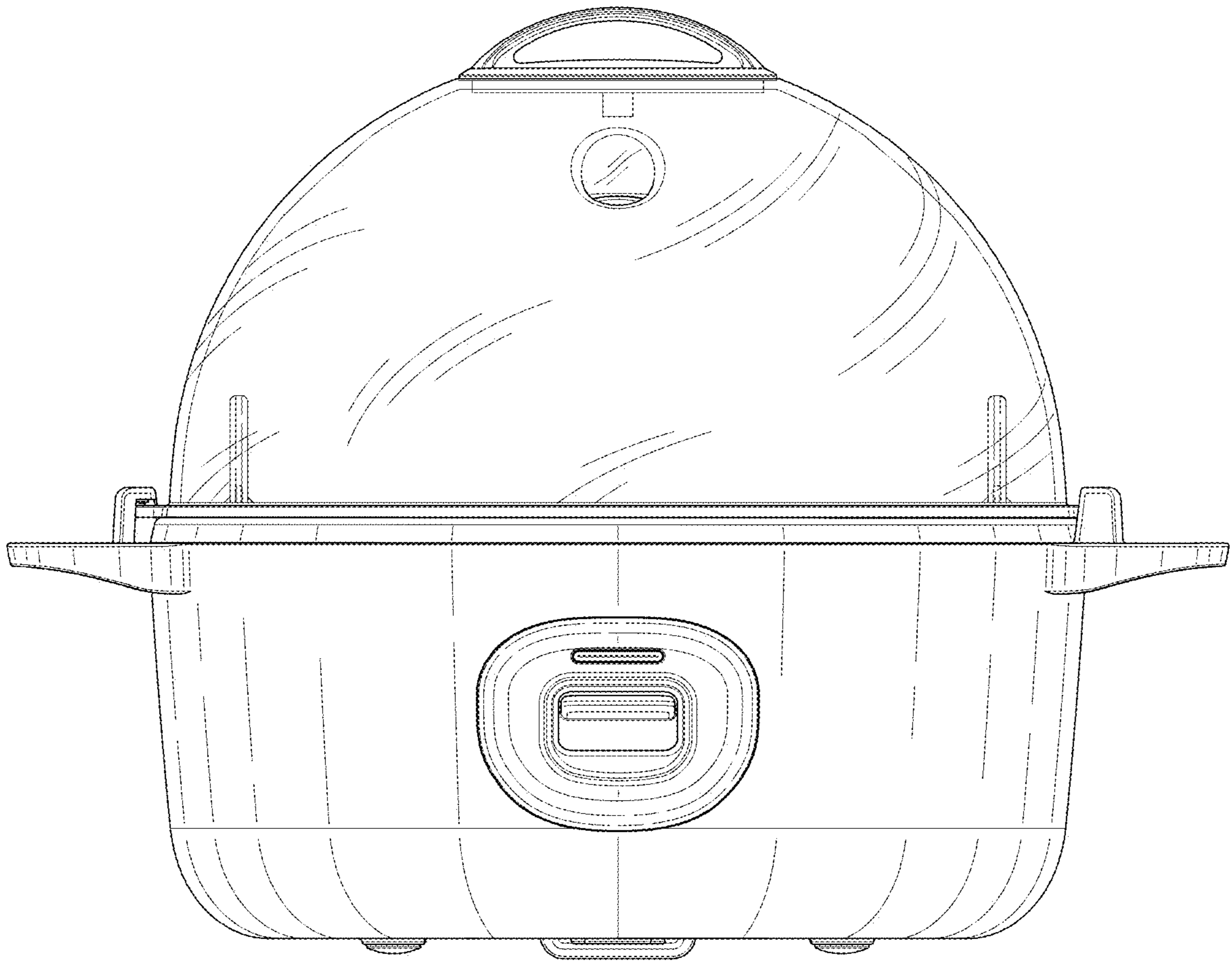


FIG. 11

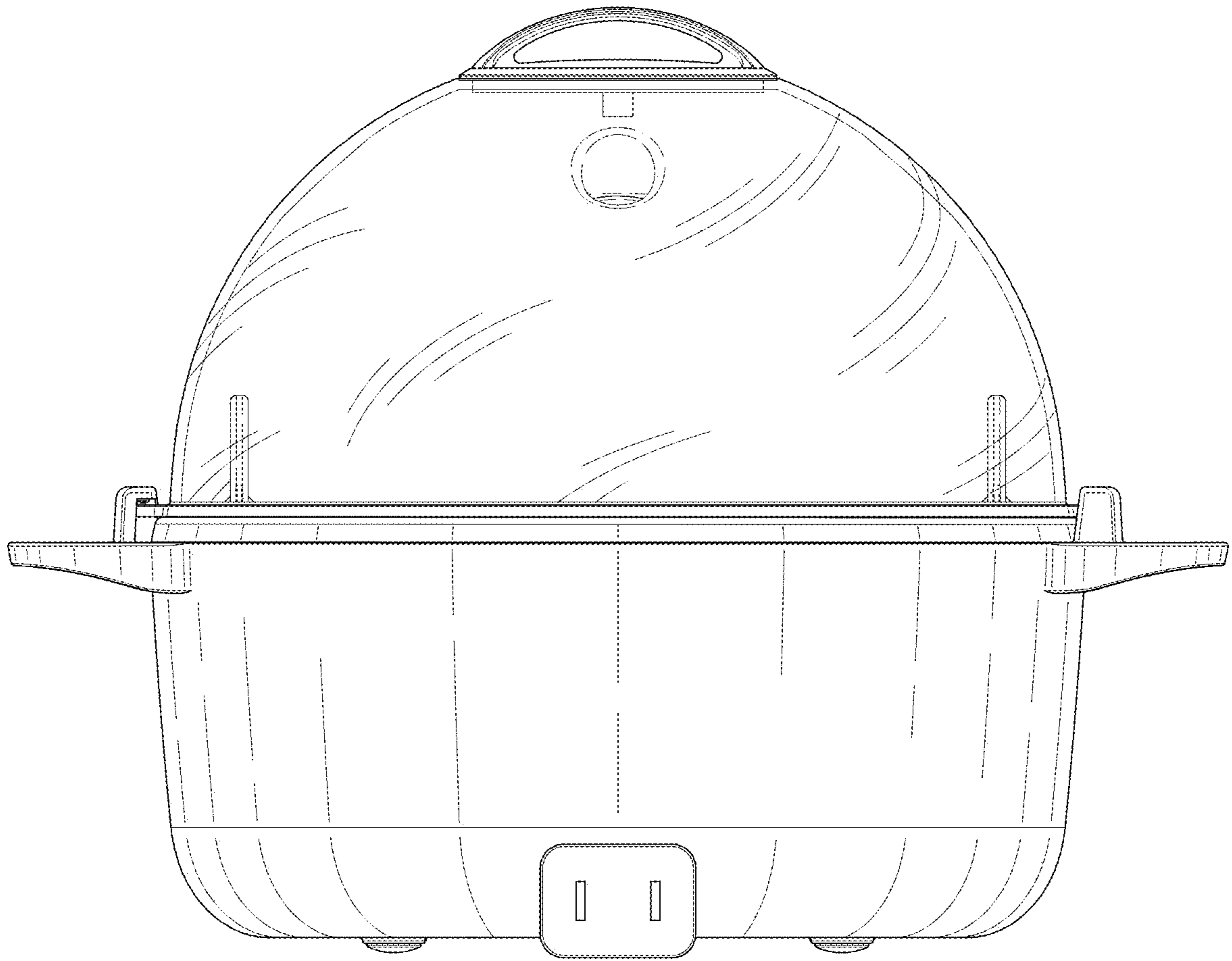


FIG. 12

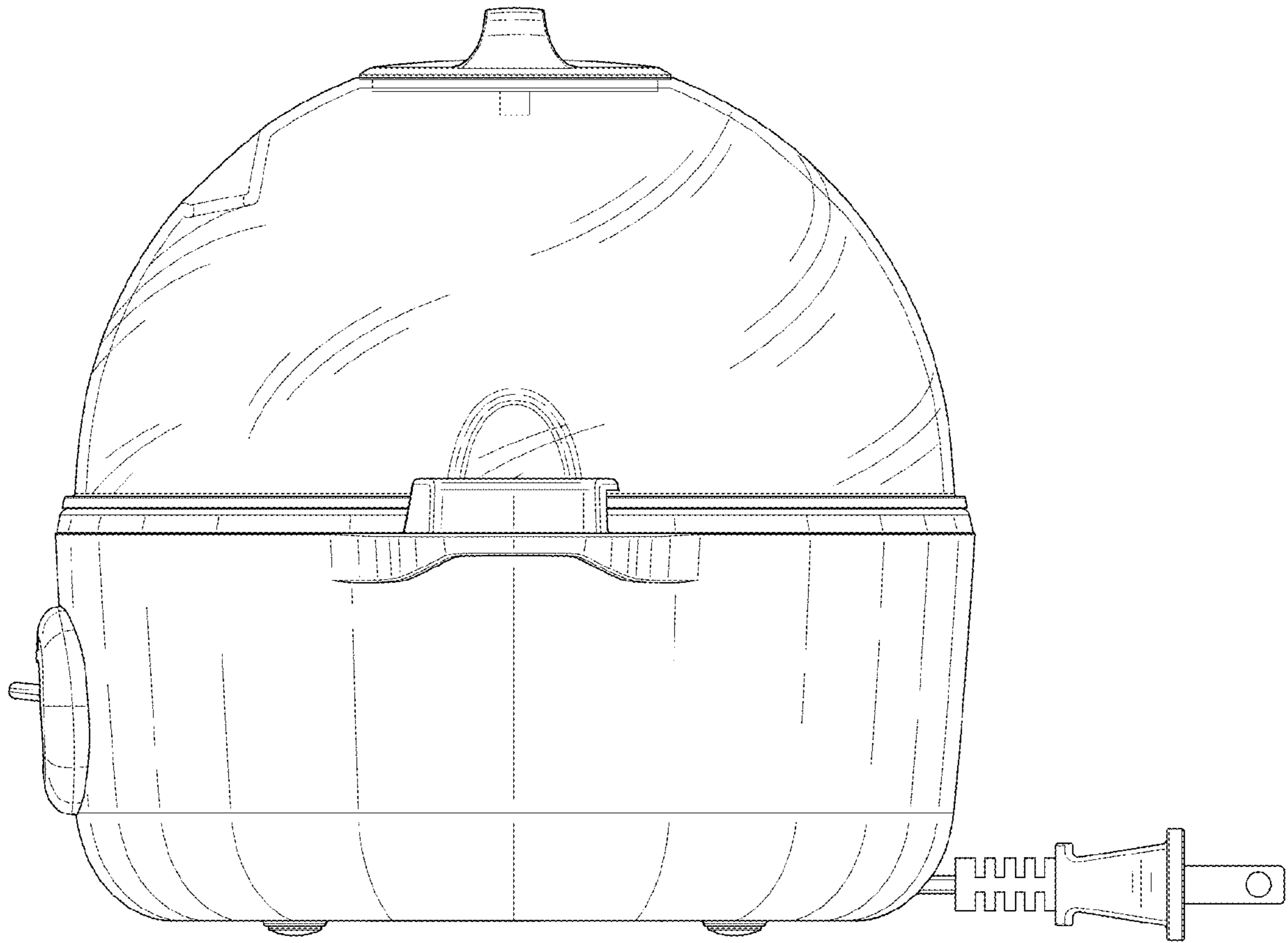


FIG. 13

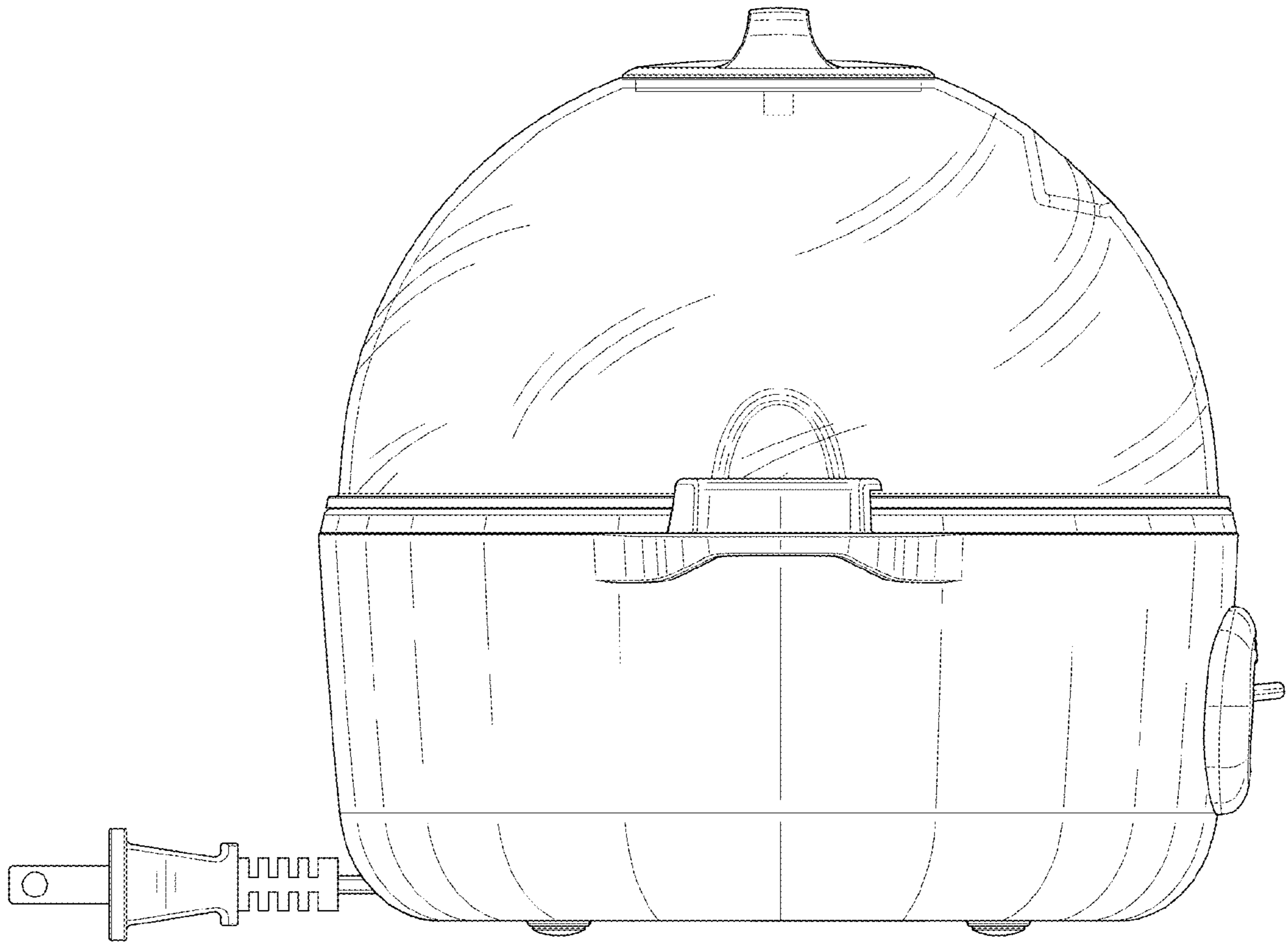


FIG. 14

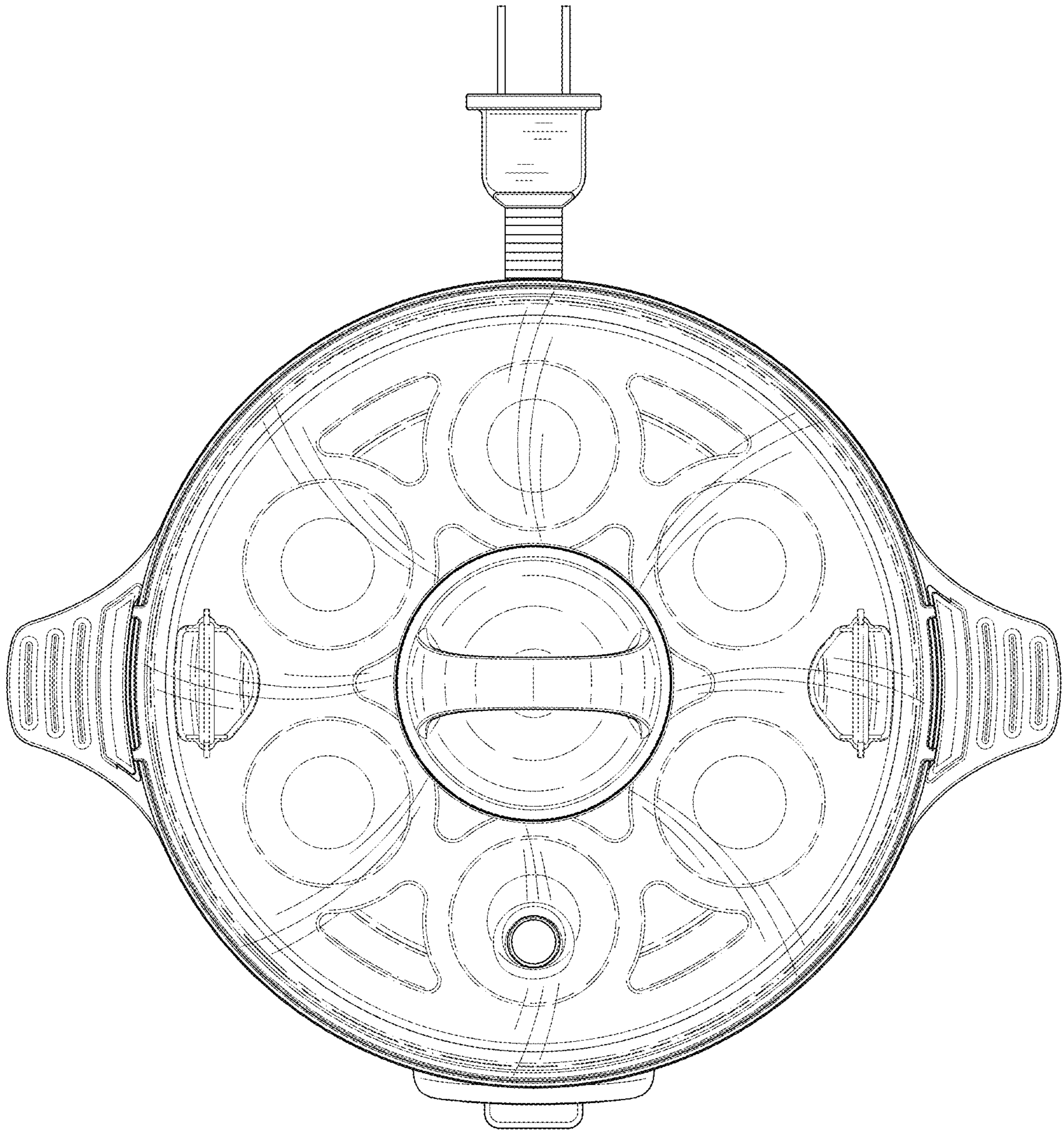


FIG. 15

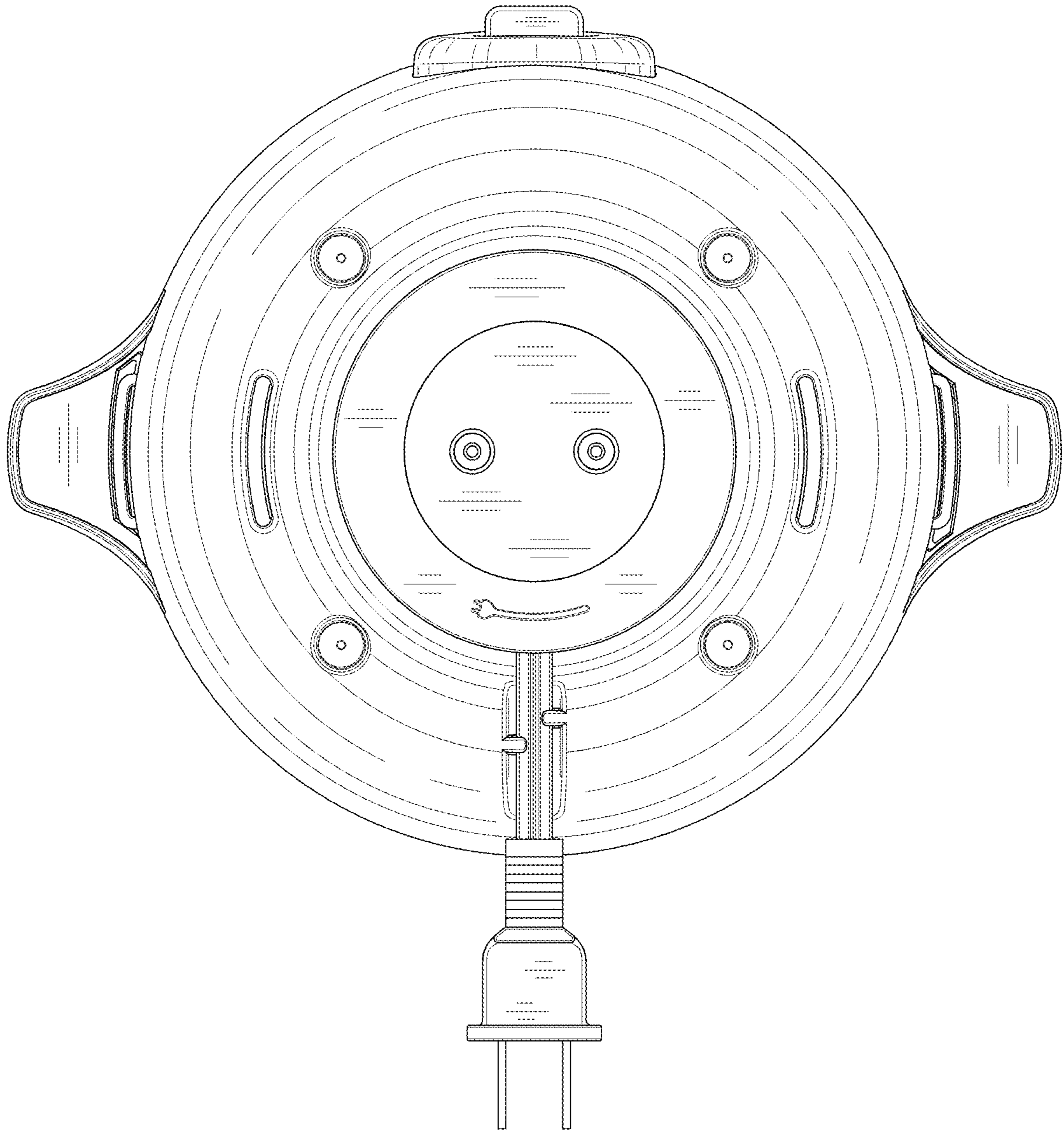


FIG. 16