



US00D884410S

(12) **United States Design Patent** (10) **Patent No.:** **US D884,410 S**
Tan et al. (45) **Date of Patent:** **** May 19, 2020**

(54) **COOKER**

(56) **References Cited**

(71) Applicant: **FOSHAN SHUNDE MIDEA ELECTRICAL HEATING APPLIANCES MANUFACTURING CO., LTD., Foshan (CN)**

U.S. PATENT DOCUMENTS

(72) Inventors: **Mao Tan, Foshan (CN); Haiying Wang, Foshan (CN)**

D502,630 S *	3/2005	Lubowicki	D7/352
D591,550 S *	5/2009	Lam	D7/337
D644,477 S *	9/2011	Burton	D7/352
D715,086 S *	10/2014	Piret	D7/352
D802,984 S *	11/2017	Dutruel	D7/352
D811,155 S *	2/2018	De' Longhi	D7/352
D817,695 S *	5/2018	Liu	D7/352
D824,199 S *	7/2018	Liu	D7/352
D830,760 S *	10/2018	Wessels	D7/352
D831,406 S *	10/2018	Corlay	D7/352
D853,172 S *	7/2019	De' Longhi	D7/352
2009/0308260 A1 *	12/2009	Trost	A47J 37/0611 99/349
2017/0367531 A1 *	12/2017	Yan	A47J 37/0611

(73) Assignee: **FOSHAN SHUNDE MIDEA ELECTRICAL HEATING APPLIANCES MANUFACTURING CO., LTD, Foshan (CN)**

(**) Term: **15 Years**

* cited by examiner

(21) Appl. No.: **29/668,942**

Primary Examiner — Ricky Pham

(22) Filed: **Nov. 2, 2018**

(74) *Attorney, Agent, or Firm* — Morgan, Lewis & Bockius LLP

(30) **Foreign Application Priority Data**

May 3, 2018 (CN) 2018 3 0195585

(51) **LOC (12) Cl.** **07-02**

(52) **U.S. Cl.**
USPC **D7/352**

(58) **Field of Classification Search**
USPC D7/323, 328-330, 337, 347, 352-364,
D7/367, 402, 409-411
CPC . A21B 5/023; A47J 27/60; A47J 27/62; A47J
37/04; A47J 37/06; A47J 37/067; A47J
37/0605; A47J 37/0611; A47J 37/0623;
A47J 37/0629; A47J 37/0676; A47J
2037/06; A47J 2037/0611; F24C 15/10;
F24C 15/102; H05B 6/02; H05B 6/062

See application file for complete search history.

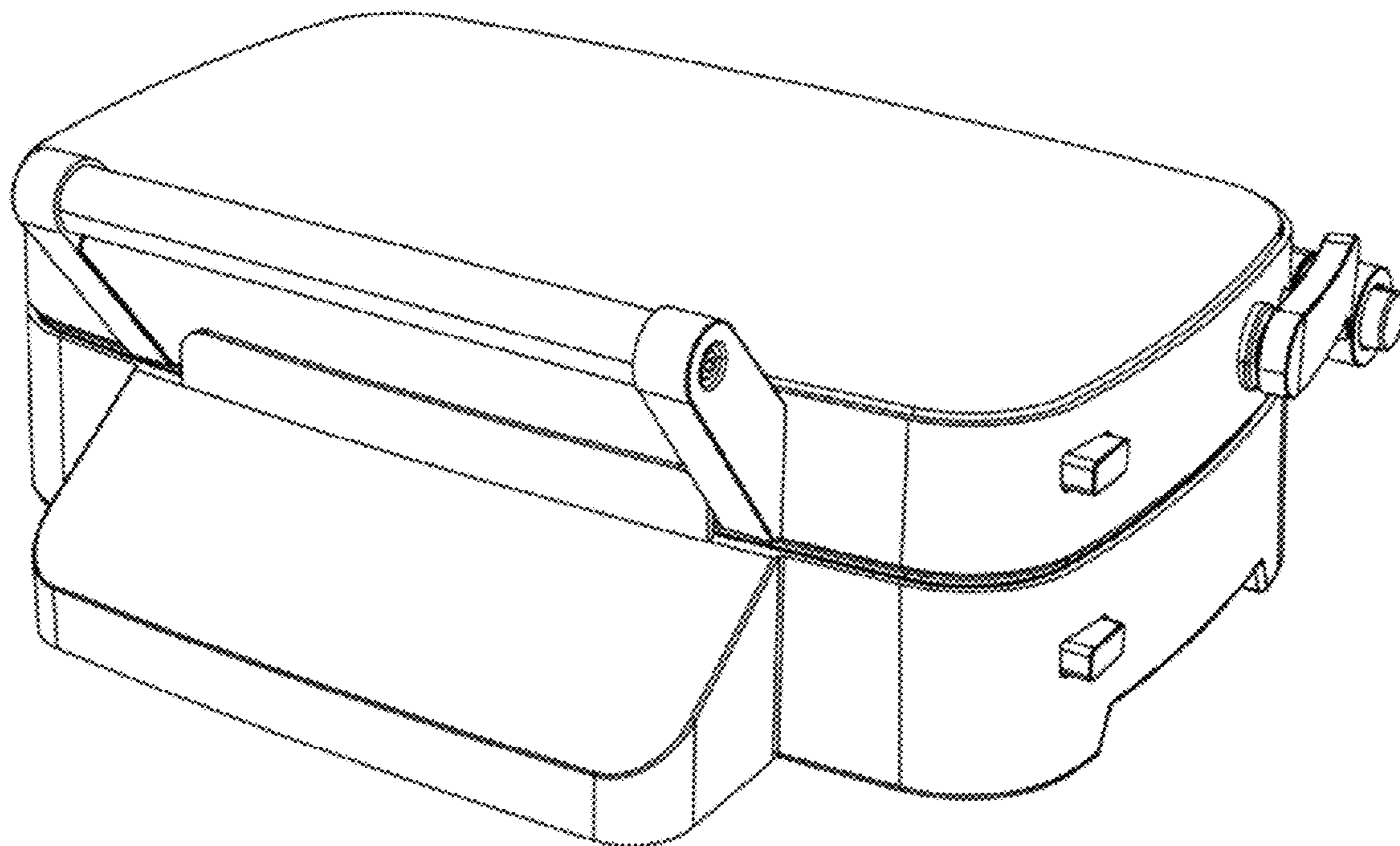
(57) **CLAIM**

The ornamental design for a cooker, as shown and described.

DESCRIPTION

FIG. 1 is a front elevational view of a cooker, showing our new design;
FIG. 2 is a back elevational view thereof;
FIG. 3 is a first side elevational view thereof;
FIG. 4 is a second side elevational view thereof;
FIG. 5 is a top plan view thereof;
FIG. 6 is a bottom plan view thereof; and,
FIG. 7 is a front perspective view thereof.

1 Claim, 7 Drawing Sheets



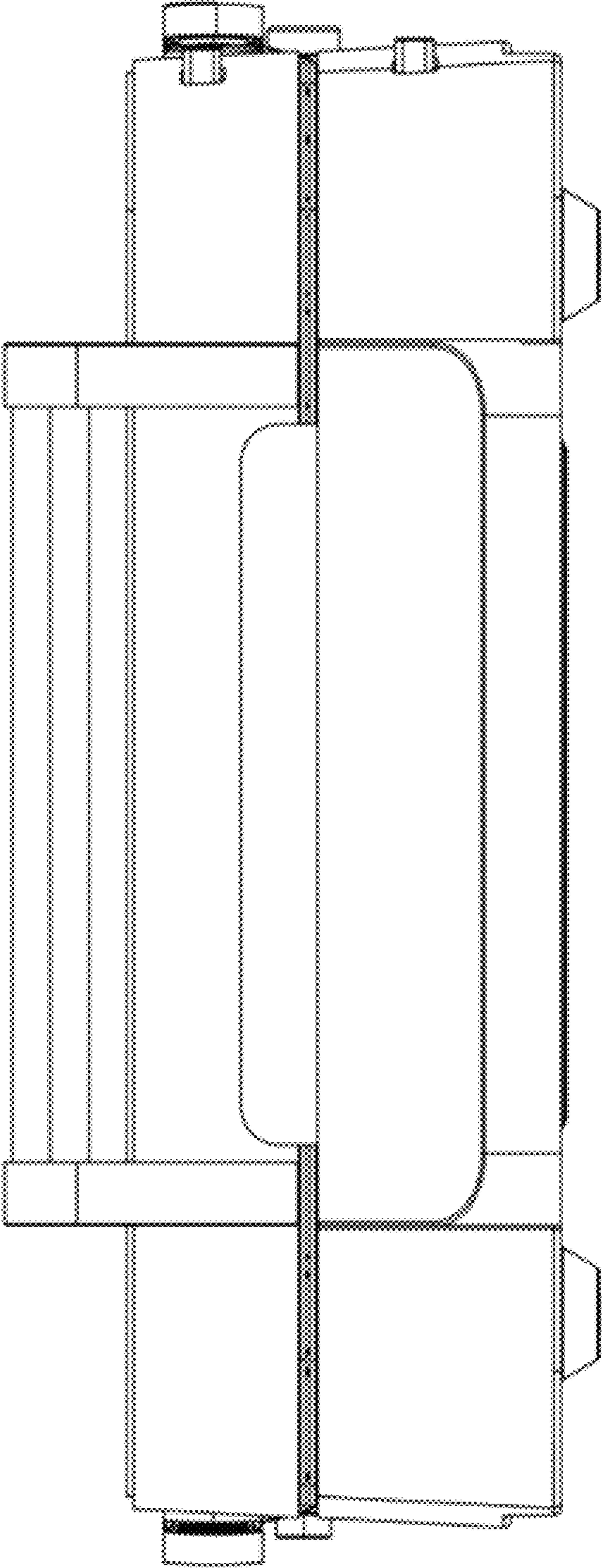


Figure 1

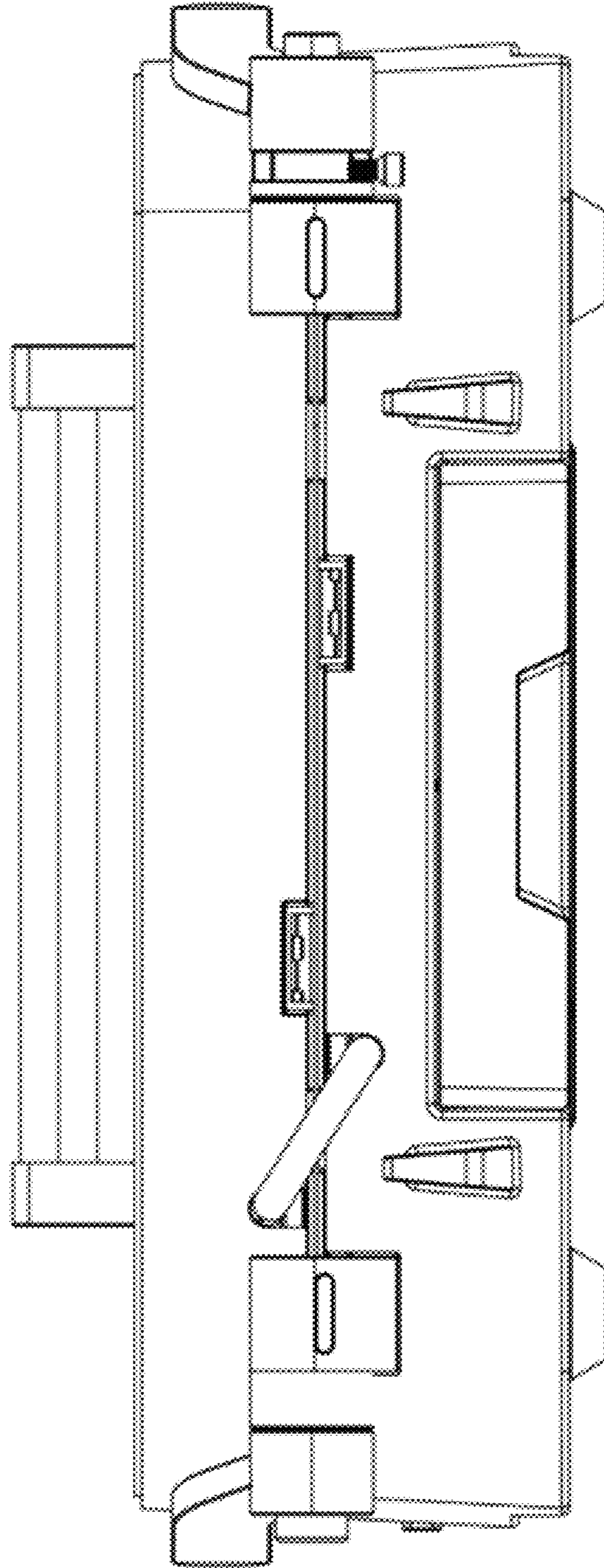


Figure 2

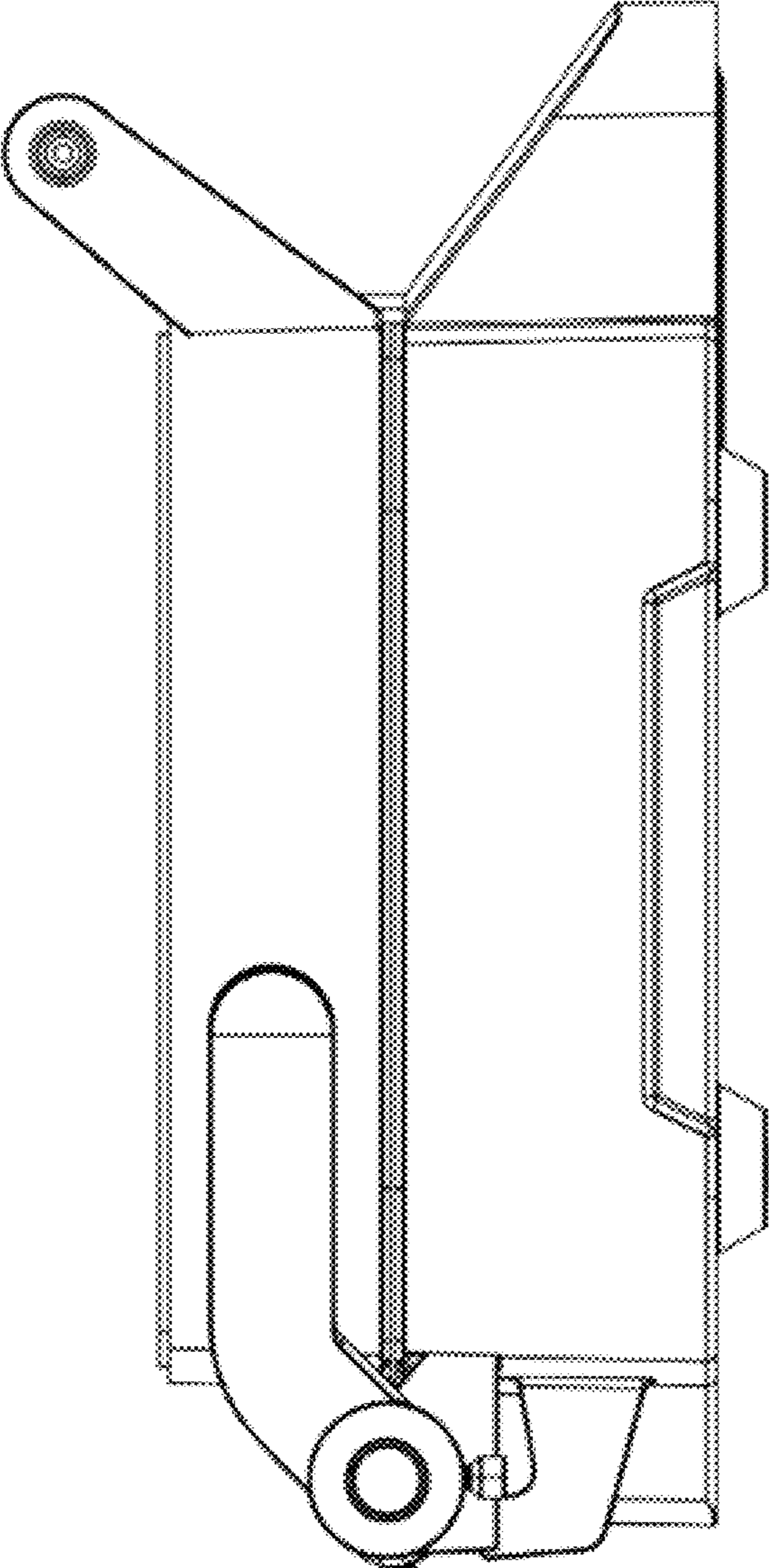


Figure 3

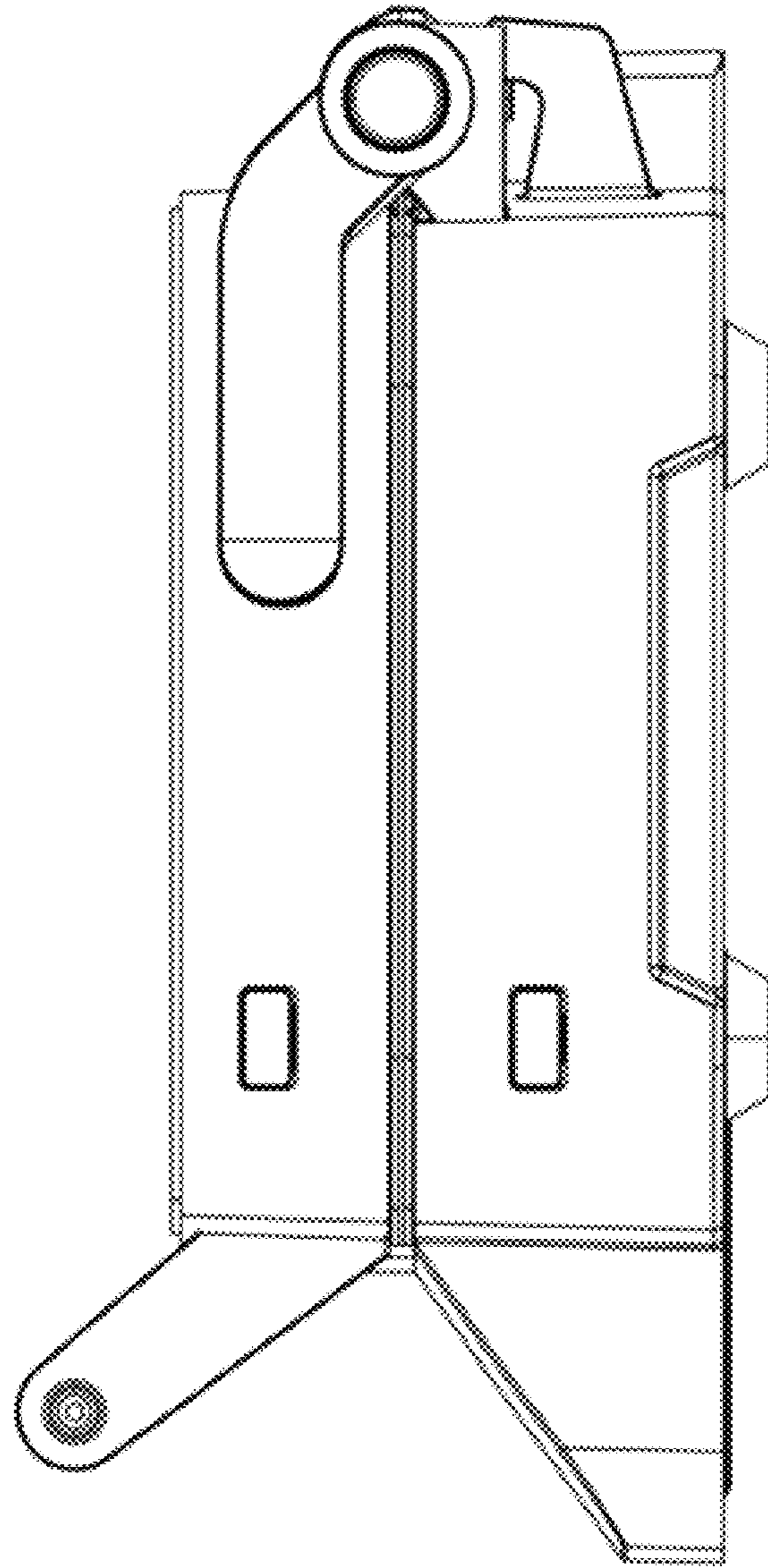


Figure 4

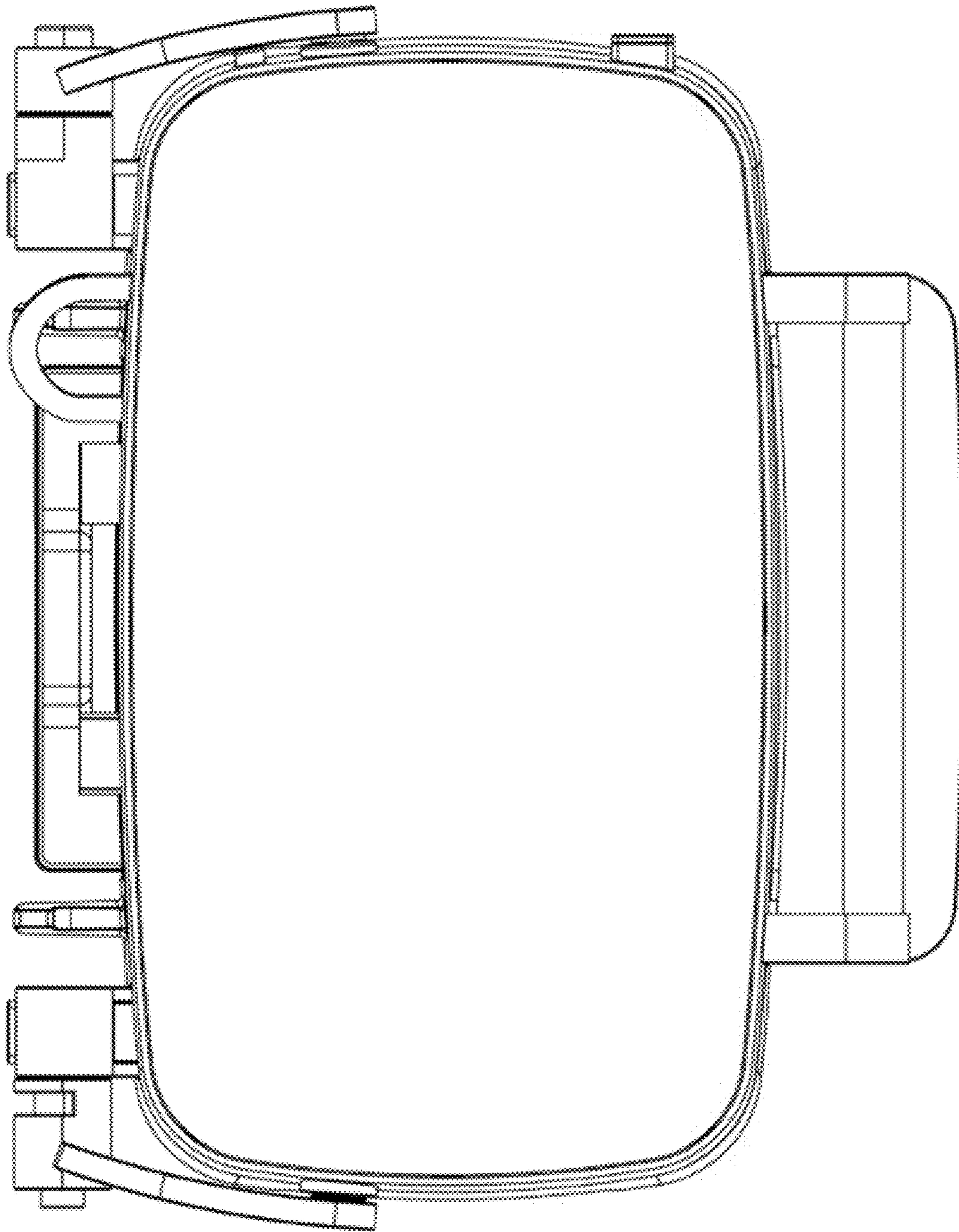


Figure 5

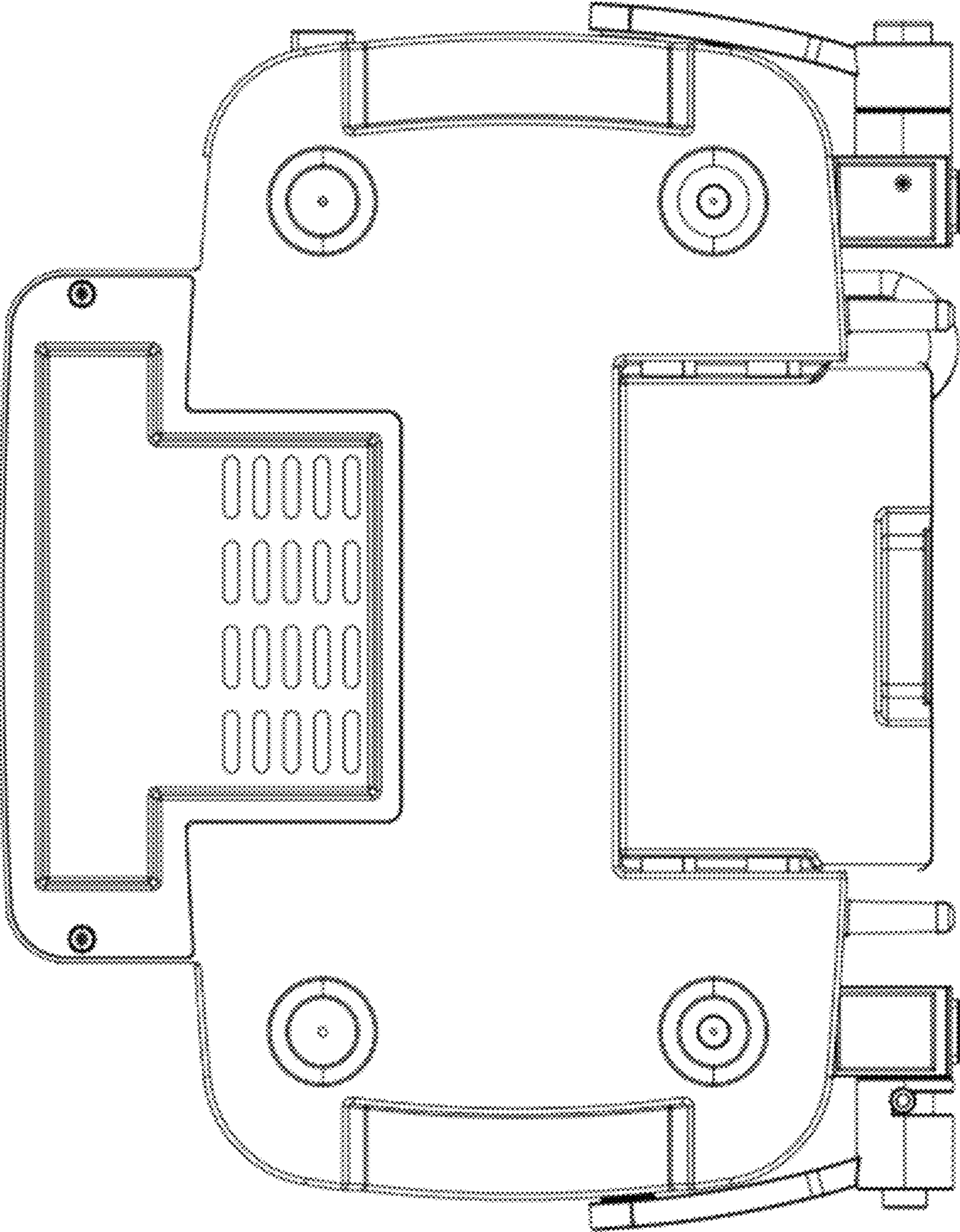


Figure 6

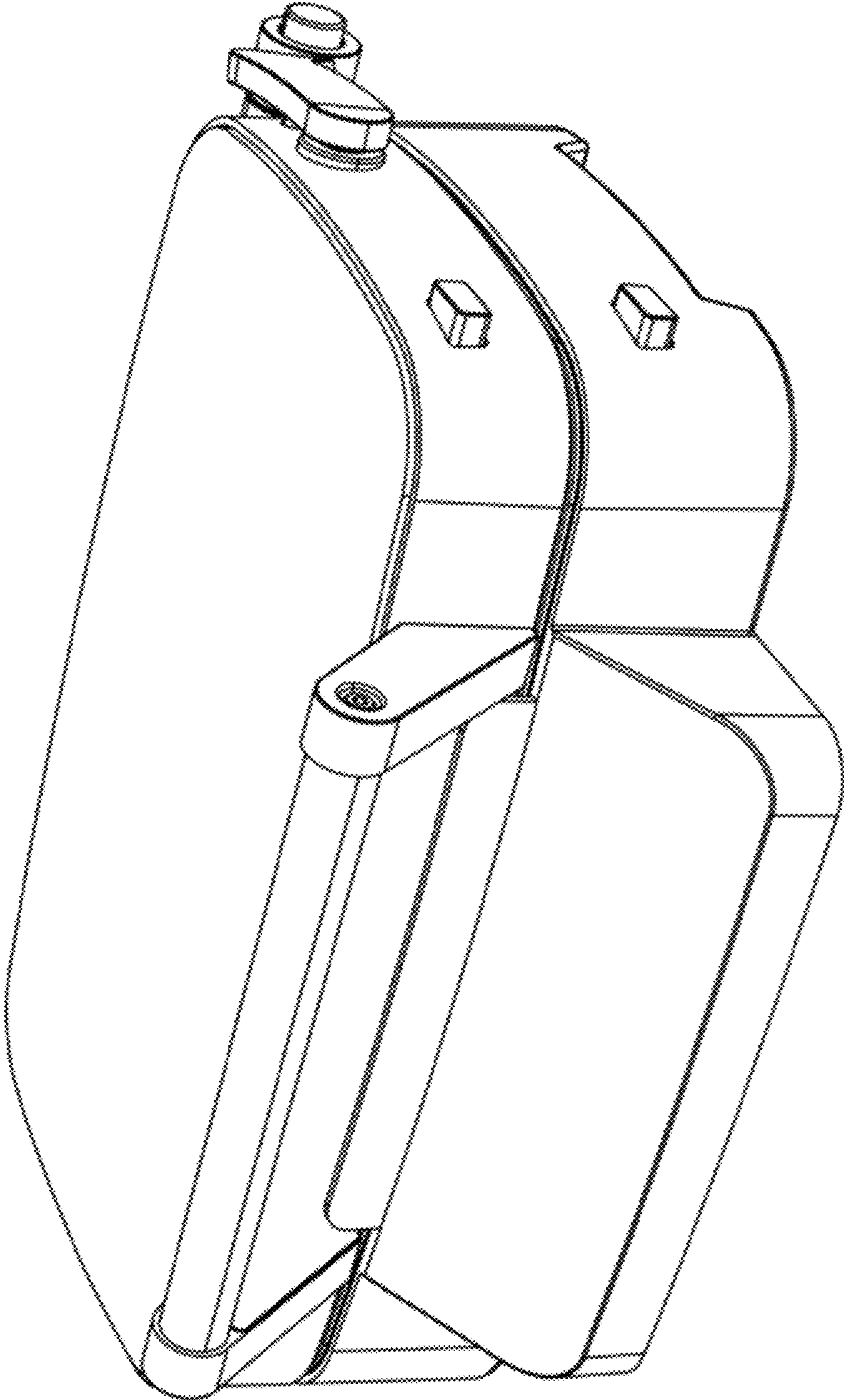


Figure 7