



US00D884409S

(12) **United States Design Patent** (10) **Patent No.:** **US D884,409 S**
Bodum (45) **Date of Patent:** **** May 19, 2020**

(54) **ELECTRIC KETTLE**
(71) Applicant: **PI-Design AG**, Triengen (CH)
(72) Inventor: **Jorgen Bodum**, Meggen (CH)
(73) Assignee: **PI-Design AG**, Triengen (CH)
(**) Term: **15 Years**
(21) Appl. No.: **29/671,244**
(22) Filed: **Nov. 26, 2018**

D497,775 S * 11/2004 Tung D7/318
D501,355 S * 2/2005 Graves D7/321
D669,307 S * 10/2012 Makhanlall D7/316
D796,888 S * 9/2017 Miller D23/212
9,943,185 B2 * 4/2018 Chen A47J 27/21191
D828,070 S * 9/2018 Wastney D7/321
D830,094 S * 10/2018 Barquin D7/318
D833,796 S * 11/2018 Bronwasser D7/321
D834,884 S * 12/2018 McConnell D7/397
D861,408 S * 10/2019 Hagger D7/312
D862,147 S * 10/2019 Hagger D7/312
D862,160 S * 10/2019 McConnell D7/399
D864,648 S * 10/2019 Josancy D7/319
D874,206 S * 2/2020 Shir D7/321
2017/0105568 A1 * 4/2017 Chen A47J 27/21191
2018/0160847 A1 * 6/2018 Miller G05D 23/22

(30) **Foreign Application Priority Data**

May 28, 2018 (WO) DM/101486

(51) **LOC (12) Cl.** **07-01**
(52) **U.S. Cl.**
USPC **D7/321; D7/312**

(58) **Field of Classification Search**
USPC D7/316, 317, 318, 319, 303, 302, 312,
D7/322, 321, 600, 320; D10/46.2;
D9/524, 526, 527; 222/573; D23/212,
D23/211.2
CPC B65D 23/06; B65D 47/06; B67D 1/16;
A47G 19/00
See application file for complete search history.

(56) **References Cited**

U.S. PATENT DOCUMENTS

2,604,233 A * 7/1952 Murphrey A47G 19/14
222/144.5
2,714,476 A * 8/1955 Locke F16N 3/04
222/508
D248,917 S * 8/1978 Kikuchi D7/321
D273,183 S * 3/1984 Shane D11/157
D291,645 S * 9/1987 Bruno D7/321
D320,906 S * 10/1991 Unger D7/321
D325,768 S * 4/1992 Hankammer D23/212
D482,925 S * 12/2003 Yuen D7/317

OTHER PUBLICATIONS

PI-Design AG, U.S. Appl. No. 29/671,242, filed Nov. 26, 2018.

* cited by examiner

Primary Examiner — Marianne N Pandozzi
(74) *Attorney, Agent, or Firm* — McDonnell Boehnen
Hulbert & Berghoff LLP

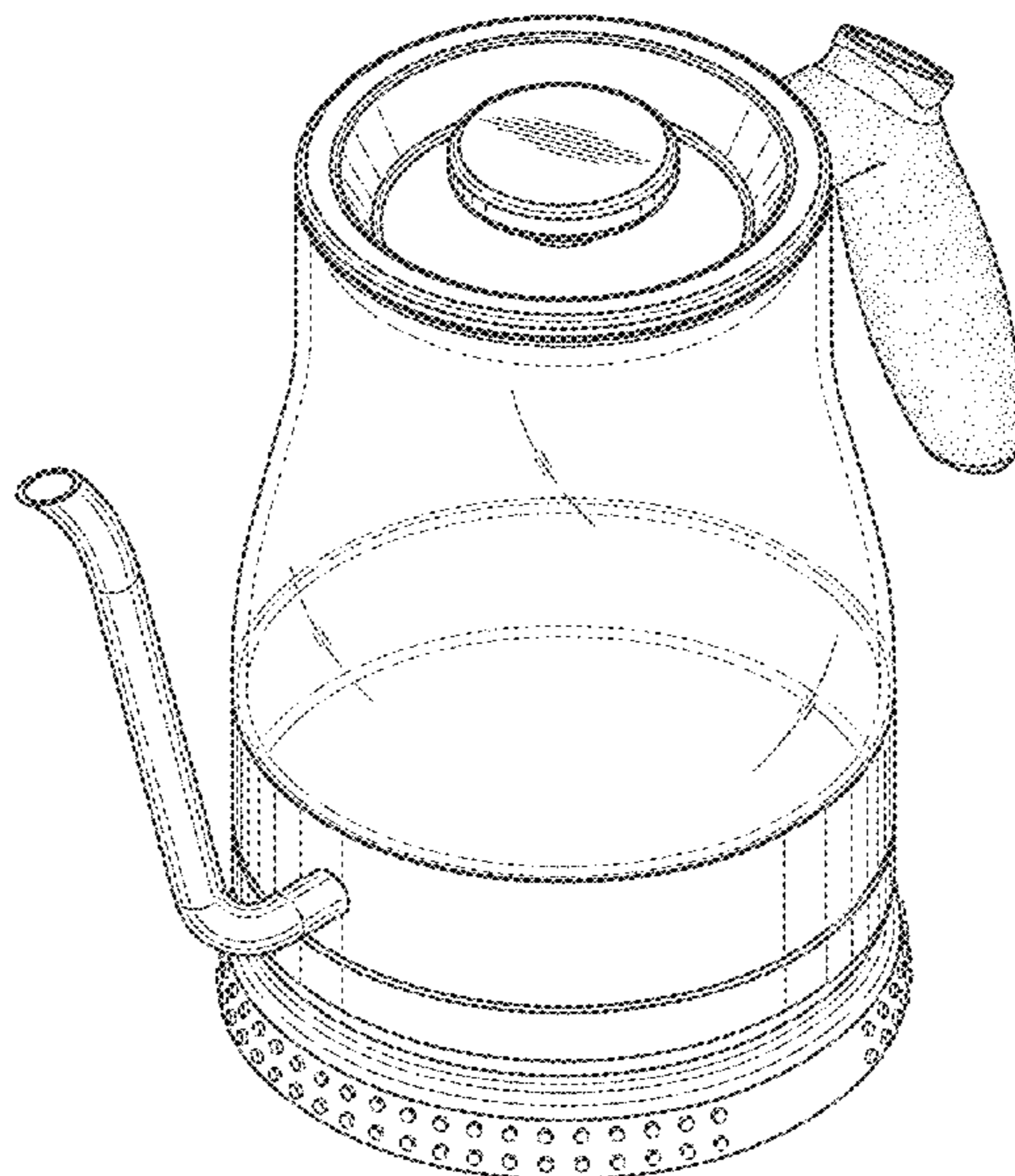
(57) **CLAIM**

The ornamental design for an electric kettle, as shown and described.

DESCRIPTION

FIG. 1 is a perspective view of an electric kettle showing my new design;
FIG. 2 is a front view thereof;
FIG. 3 is a rear view thereof;
FIG. 4 is a left side view thereof;
FIG. 5 is a right side view thereof;
FIG. 6 is a top view thereof; and,
FIG. 7 is a bottom view thereof.

1 Claim, 7 Drawing Sheets



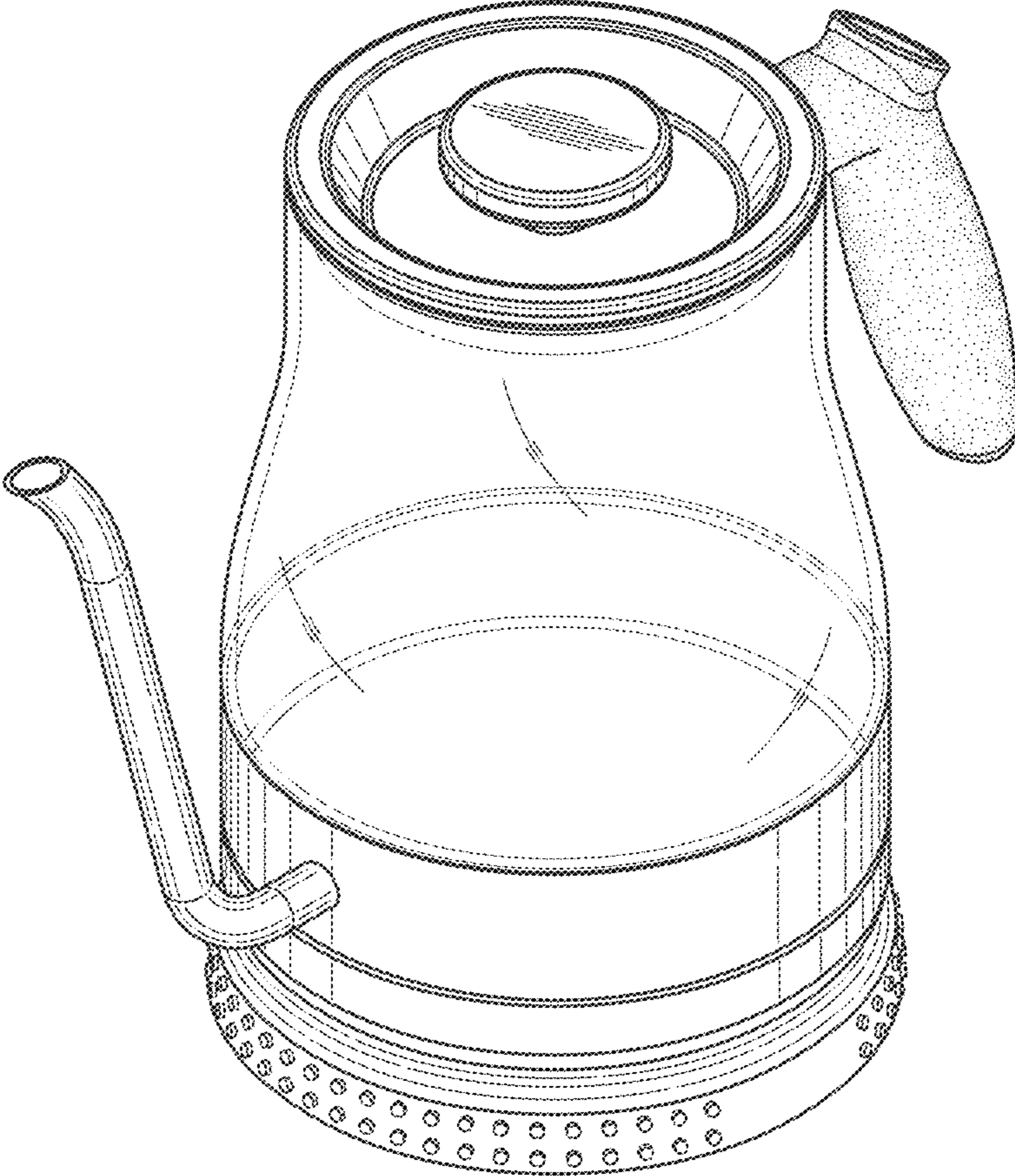


FIG. 1

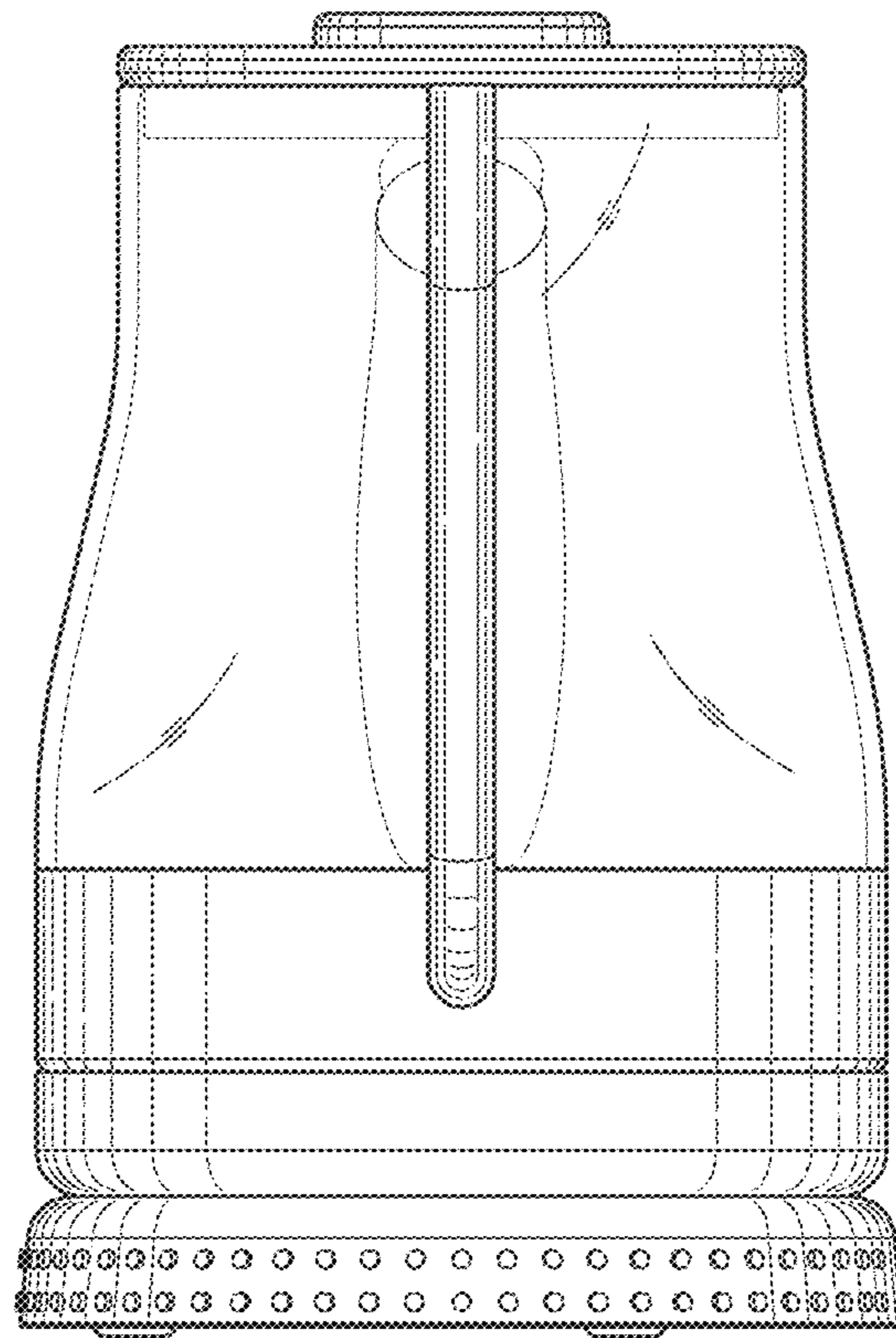


FIG. 2

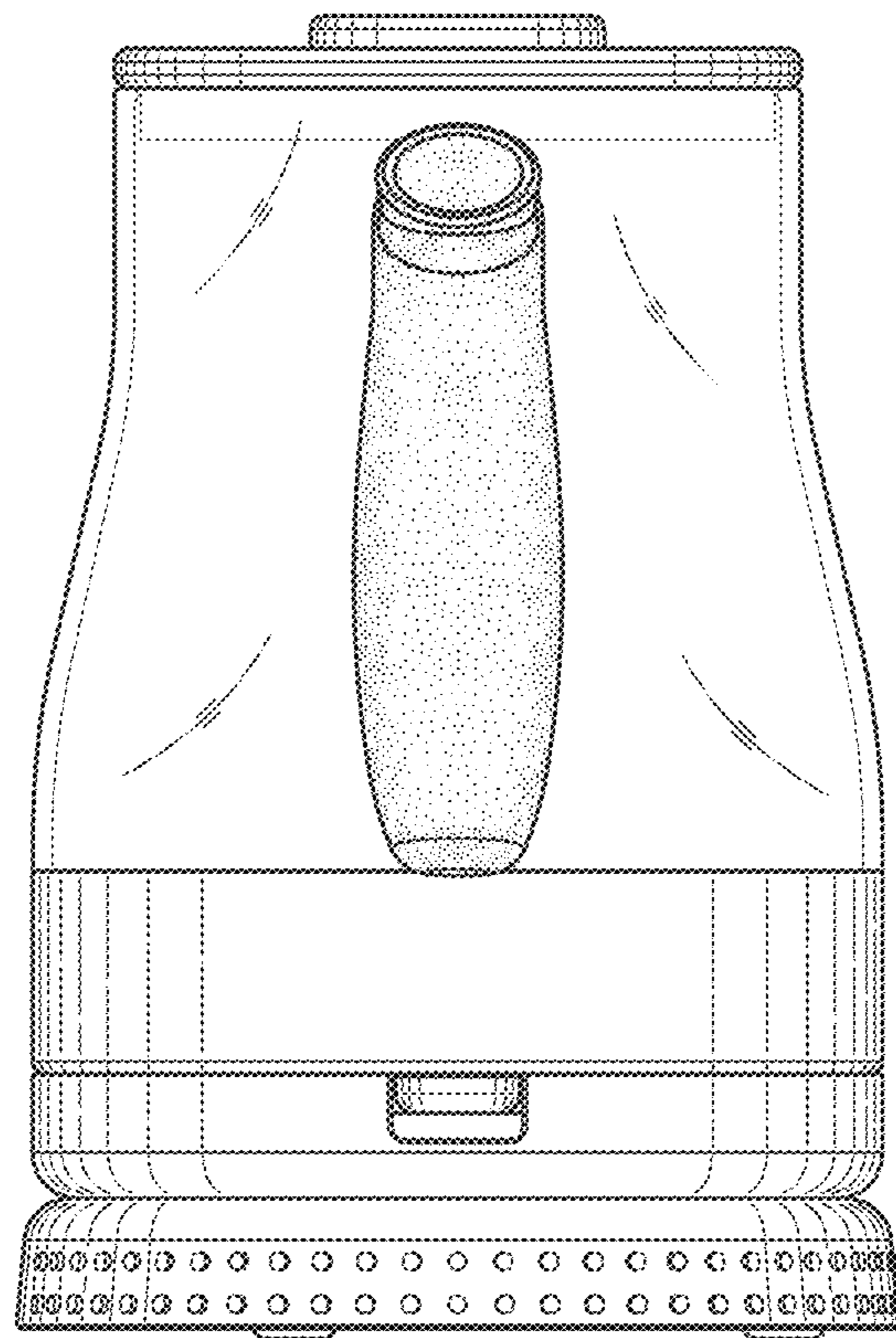


FIG. 3

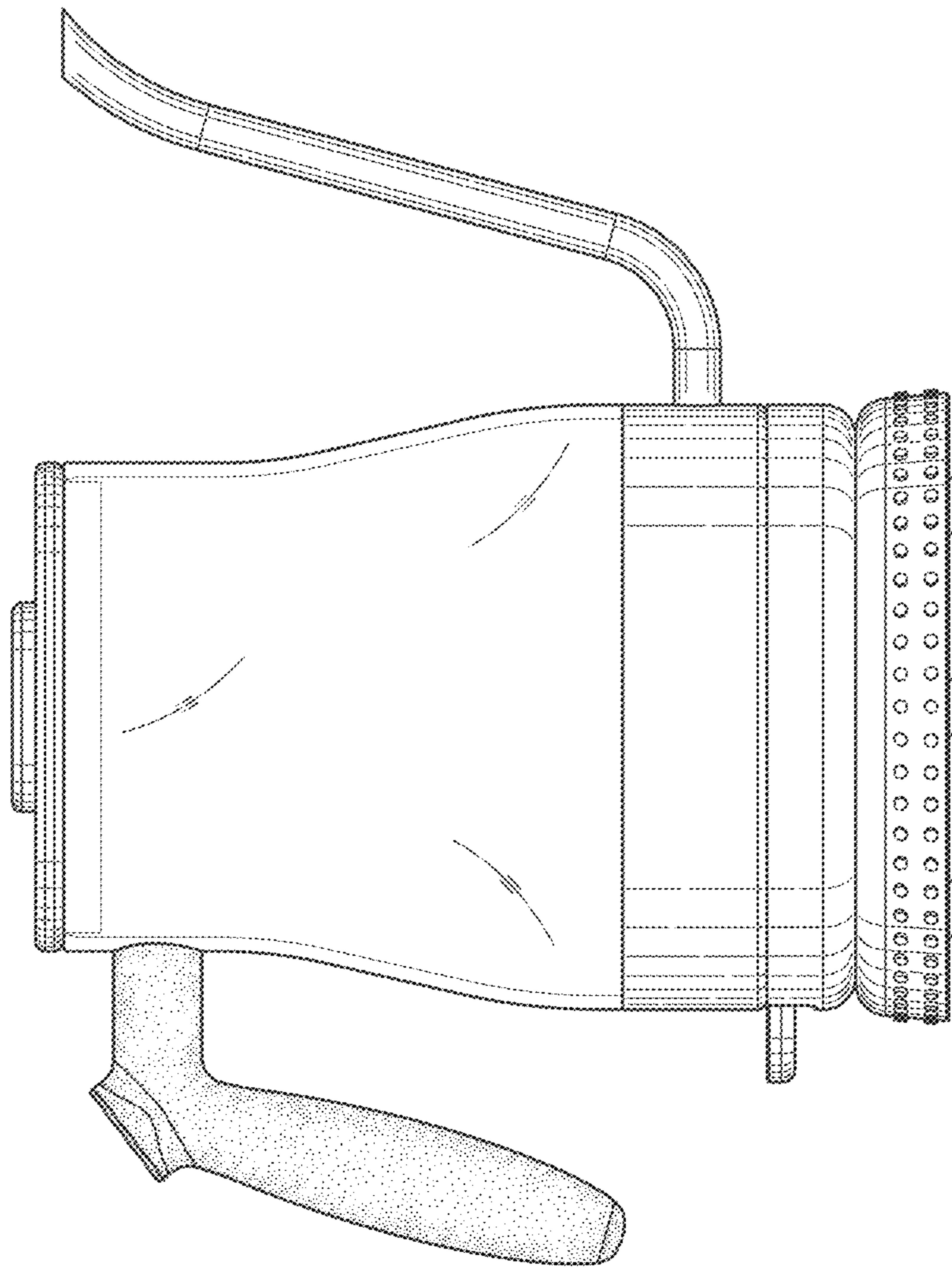


FIG. 4

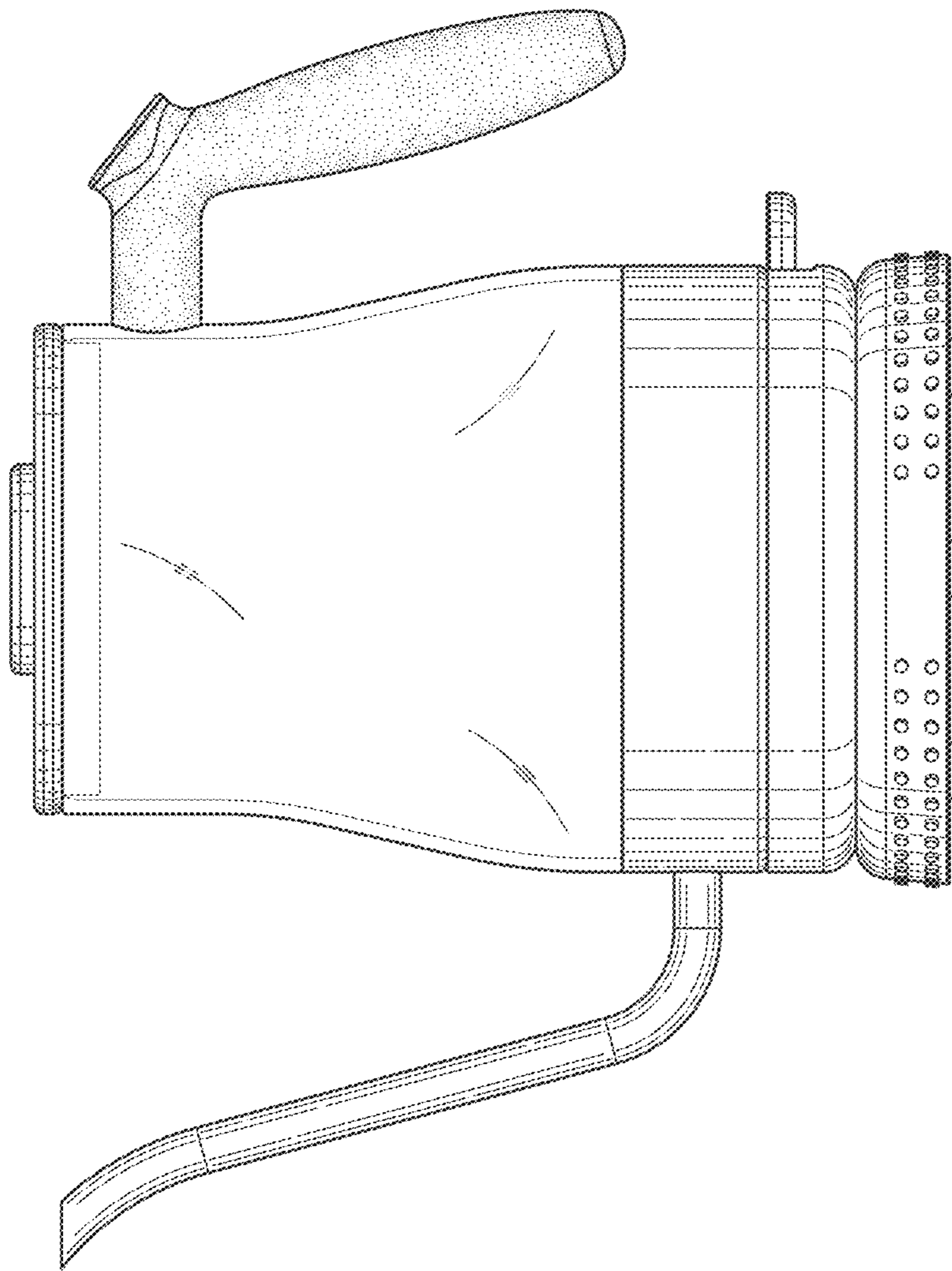


FIG. 5

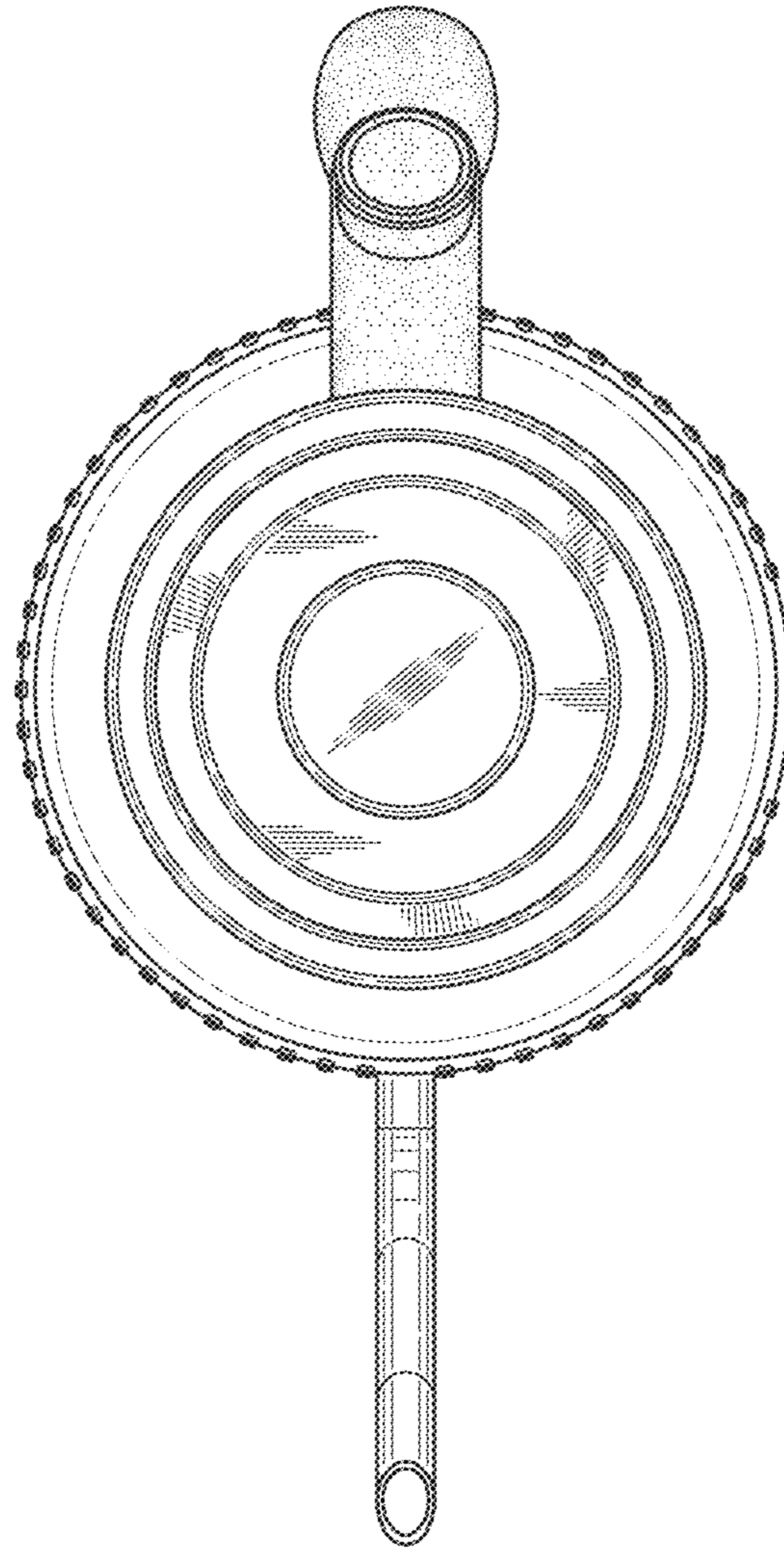


FIG. 6

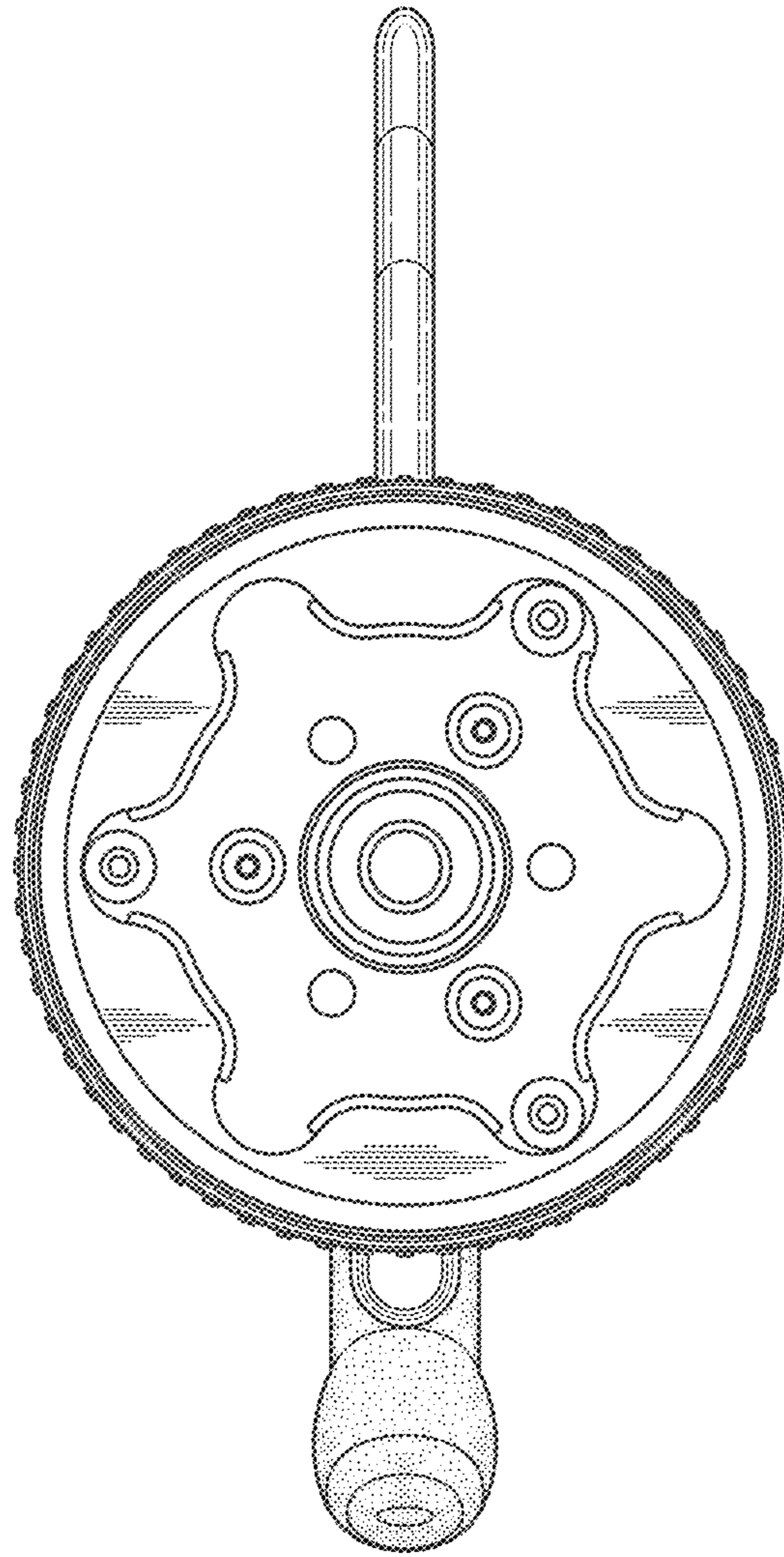


FIG. 7