



US00D884407S

(12) **United States Design Patent** (10) **Patent No.:** **US D884,407 S**  
**Tan** (45) **Date of Patent:** **\*\* May 19, 2020**

(54) **WATER DISPENSER**

A47J 31/407; A47J 31/10; A47J 31/467;  
A47J 31/0615; A47J 31/32; B65D 23/104

(71) Applicants: **FOSHAN SHUNDE MIDEA WATER DISPENSER MANUFACTURING CO., LTD.**, Foshan (CN); **MIDEA GROUP CO., LTD.**, Foshan (CN)

See application file for complete search history.

(56)

**References Cited**

U.S. PATENT DOCUMENTS

(72) Inventor: **Biyu Tan**, Foshan (CN)

D644,712 S *	9/2011	Seo	.....	D23/207
D714,580 S *	10/2014	Moon	.....	D7/307
D790,898 S *	7/2017	Taubman	.....	D7/305
D805,601 S *	12/2017	Roh	.....	D23/207
D813,346 S *	3/2018	Lee	.....	D23/207
D832,021 S *	10/2018	Yoon	.....	D7/313

(73) Assignees: **FOSHAN SHUNDE MIDEA WATER DISPENSER MANUFACTURING CO., LTD.**, Foshan (CN); **MIDEA GROUP CO., LTD.**, Foshan (CN)

\* cited by examiner

(\*\*) Term: **15 Years**

*Primary Examiner* — Marianne N Pandozzi

(21) Appl. No.: **29/661,669**

(74) *Attorney, Agent, or Firm* — Morgan, Lewis & Bockius LLP

(22) Filed: **Aug. 29, 2018**

(57)

**CLAIM**

(30) **Foreign Application Priority Data**

The ornamental design for a water dispenser, as shown and described.

Apr. 8, 2018 (CN) ..... 2018 3 0137853

(51) **LOC (12) Cl.** ..... **07-01**

**DESCRIPTION**

(52) **U.S. Cl.**

USPC ..... **D7/313**; D7/311; D7/307; D7/308

FIG. 1 is a front perspective view of a water dispenser showing my new design;

(58) **Field of Classification Search**

USPC ..... D7/305-311, 313, 300; D15/82; 222/129.1, 146.6; 99/295; D23/207

FIG. 2 is front elevational view thereof;

CPC ..... B67D 1/36; B67D 2210/0065; B67D 1/0864; B67D 1/0009; B67D 3/0061;

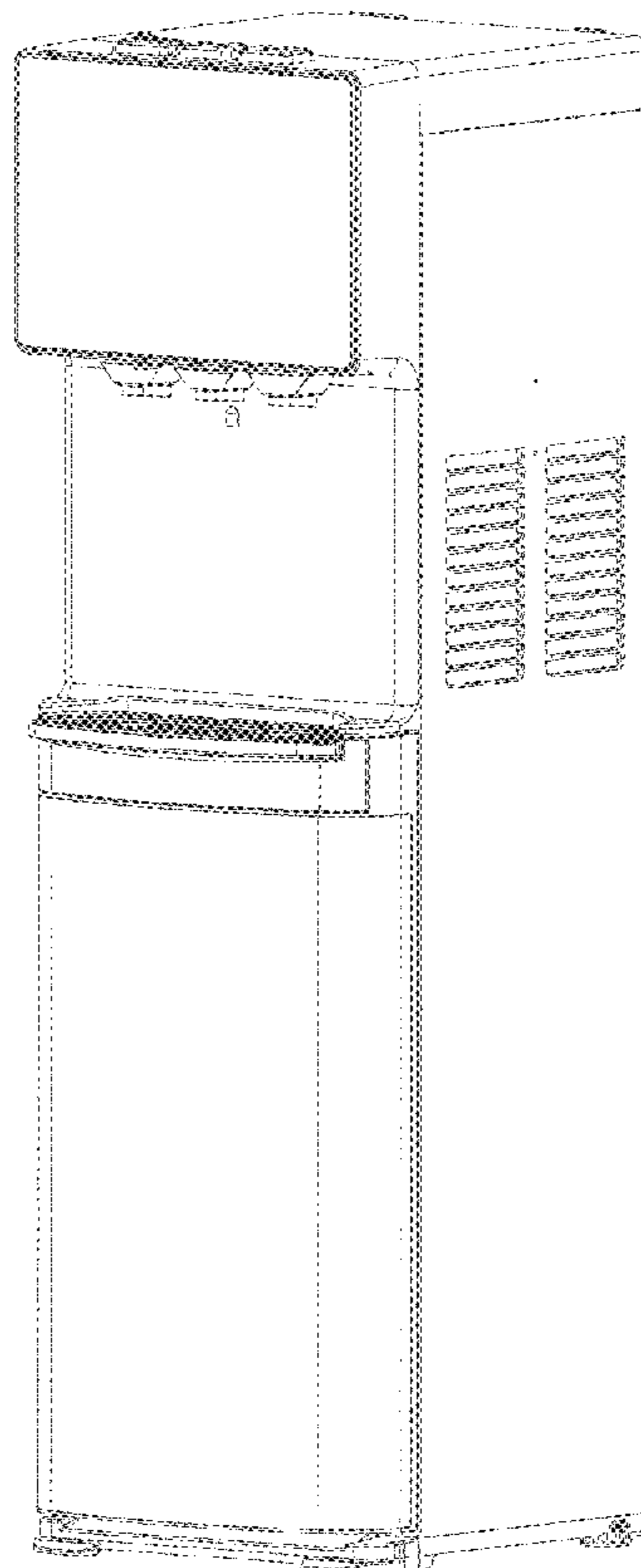
FIG. 3 is a right side view thereof;

A47J 31/46; A47J 31/4482; A47J 31/369;

FIG. 4 is a left side view thereof; and,

FIG. 5 is an enlarged top plan view thereof.

**1 Claim, 5 Drawing Sheets**



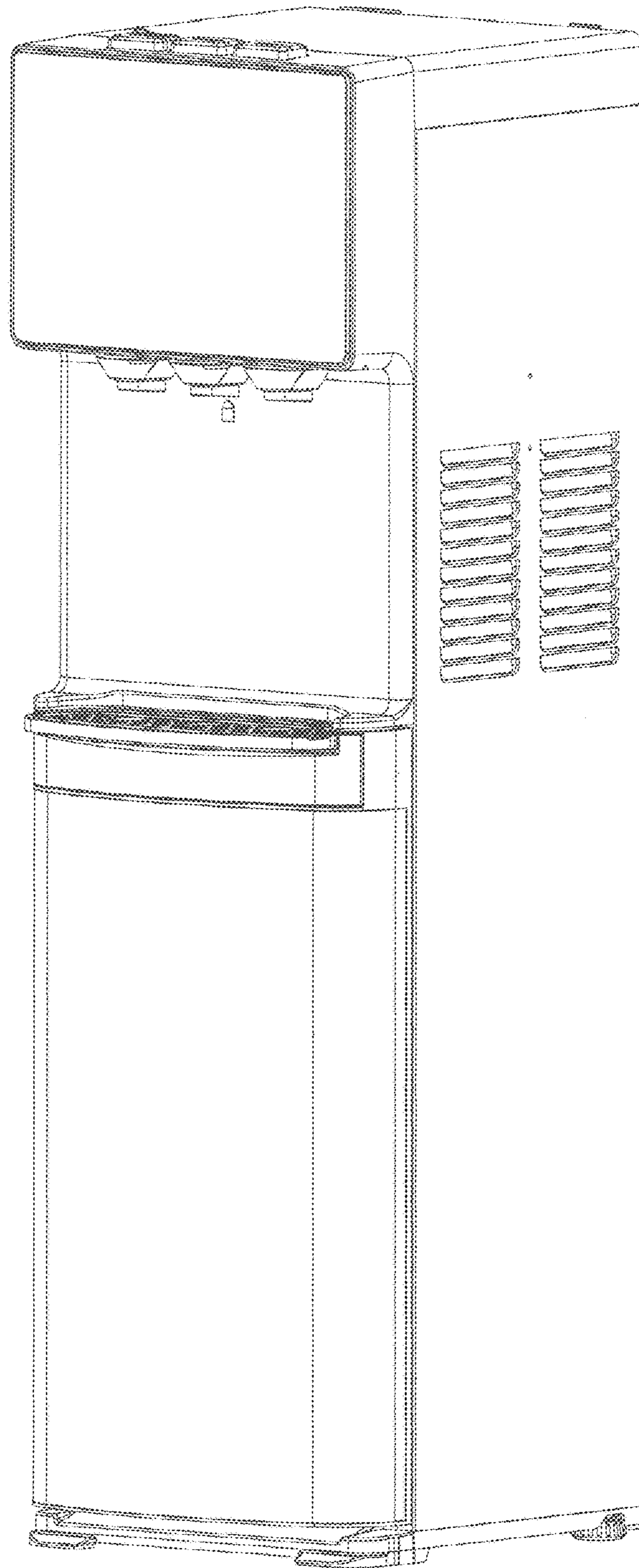


Figure 1

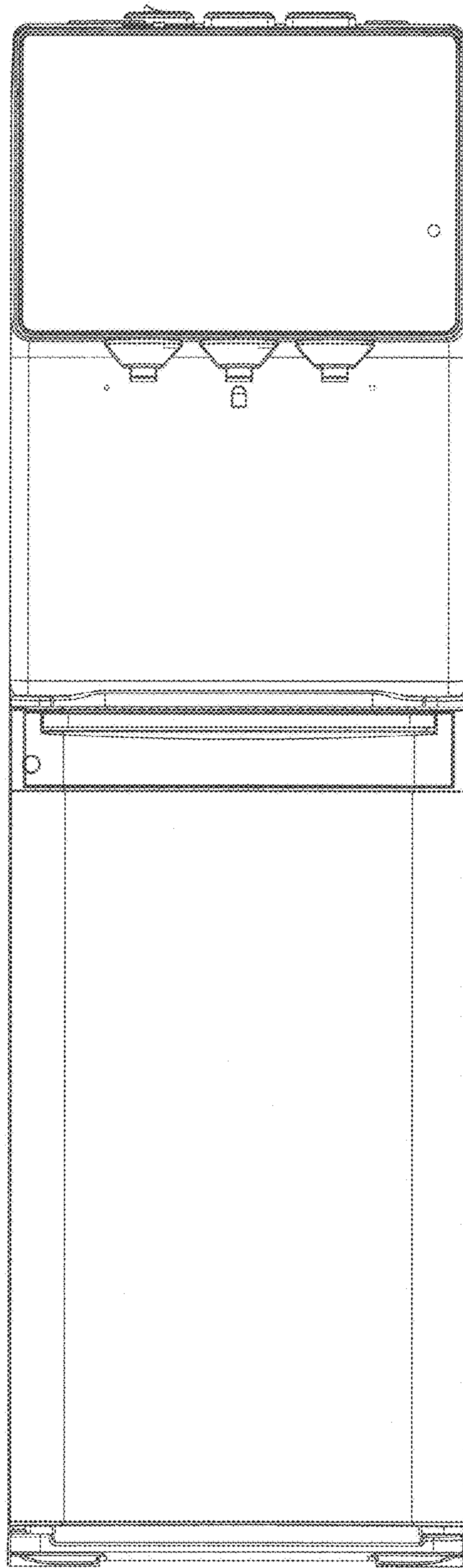


Figure 2

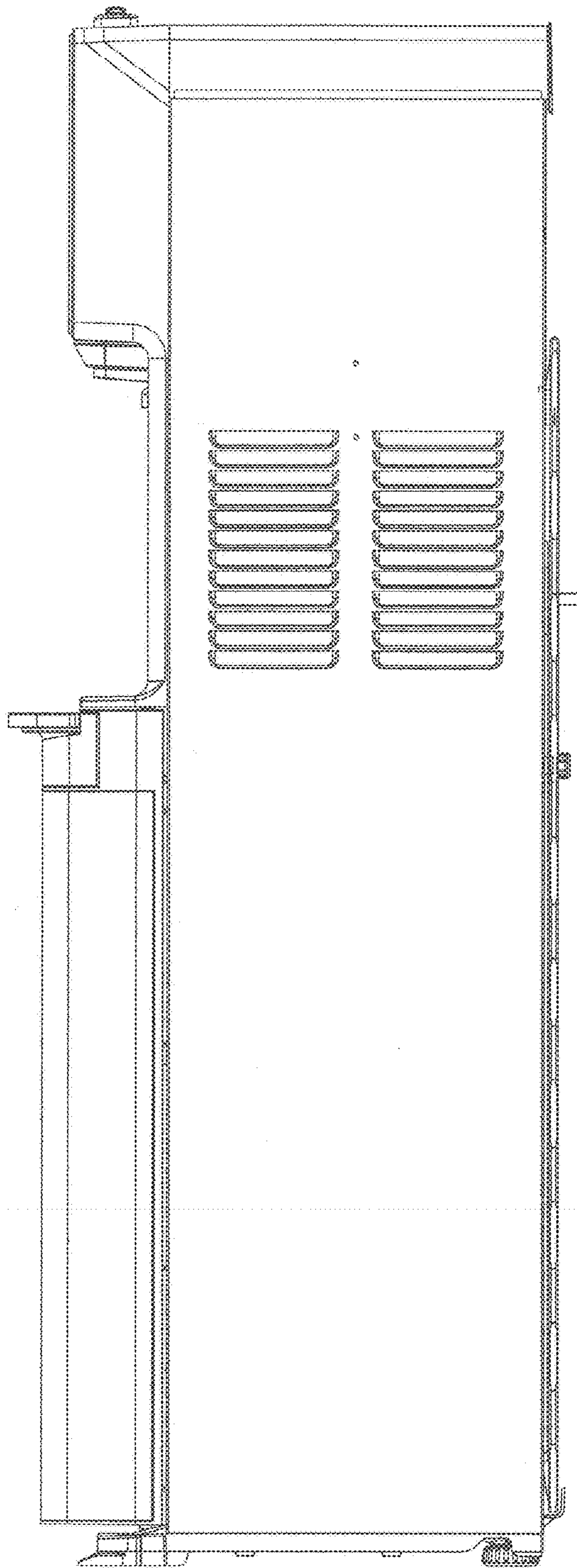


Figure 3



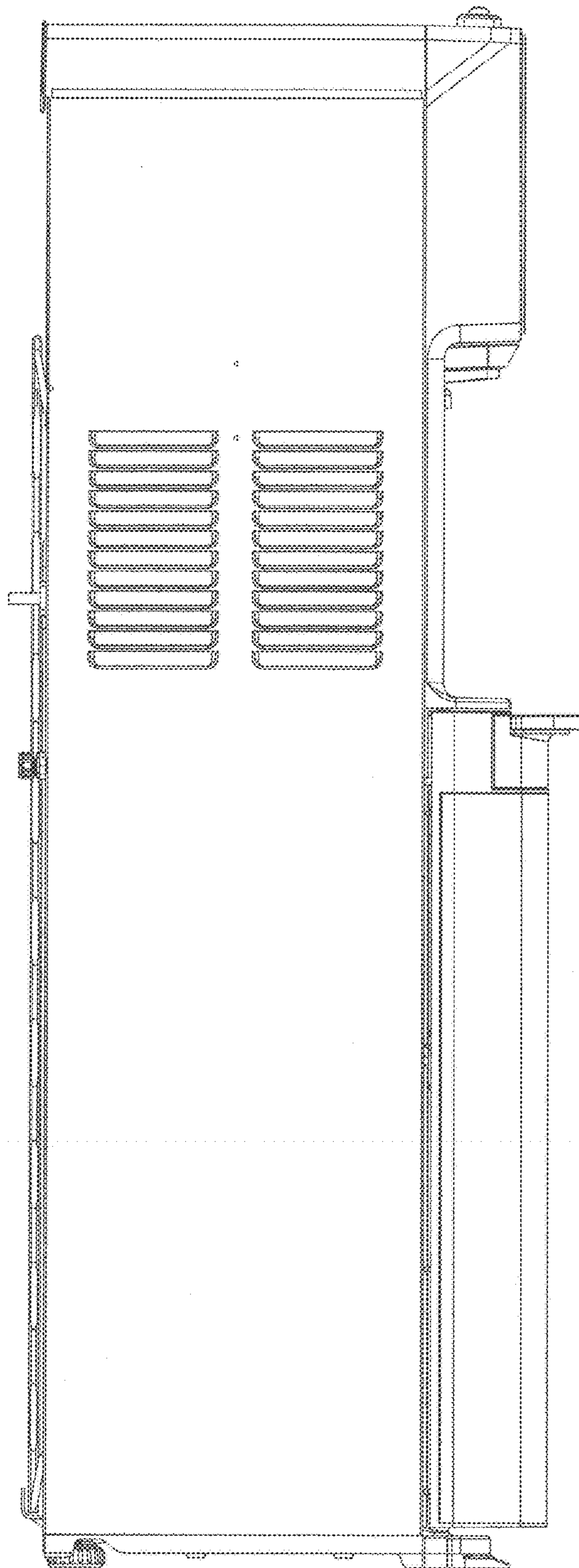


Figure 4

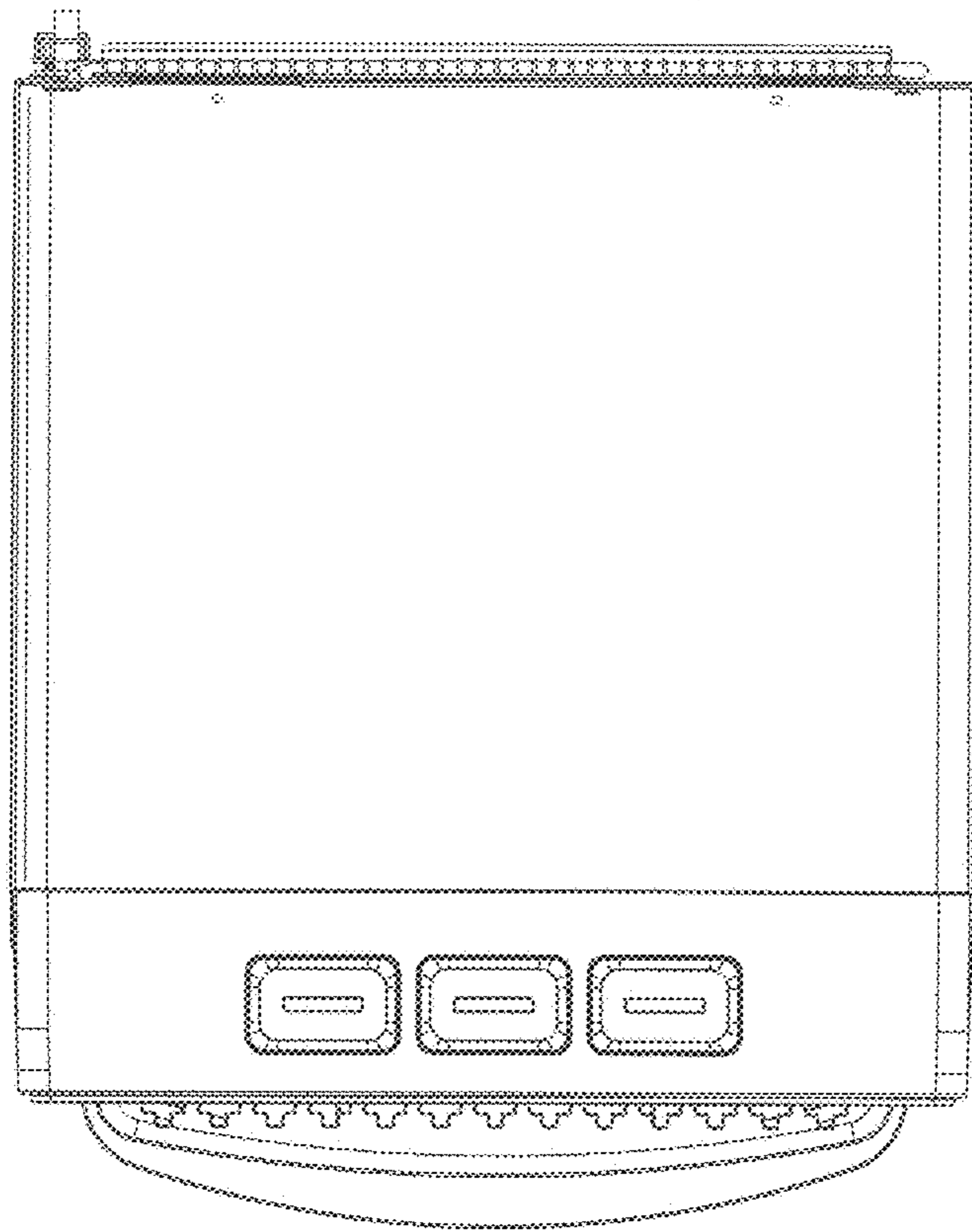


Figure 5