



US00D884405S

(12) **United States Design Patent**
Brouillac

(10) **Patent No.:** **US D884,405 S**

(45) **Date of Patent:** **** May 19, 2020**

(54) **COFFEE MAKER**

(71) Applicant: **PEUGEOT SAVEURS**, Quingey (FR)

(72) Inventor: **Nicolas Brouillac**, Saint Vit (FR)

(73) Assignee: **PEUGEOT SAVEURS**, Quingey (FR)

(**) Term: **15 Years**

(21) Appl. No.: **35/506,113**

(22) Filed: **Jul. 26, 2018**

(80) **Hague Agreement Data**

Int. Filing Date: **Jul. 26, 2018**

Int. Reg. No.: **DM/103785**

Int. Reg. Date: **Jul. 26, 2018**

Int. Reg. Pub. Date: **Nov. 30, 2018**

(30) **Foreign Application Priority Data**

Jan. 26, 2018 (EM) 004682532

(51) **LOC (12) Cl.** **07-01**

(52) **U.S. Cl.**
USPC **D7/310**

(58) **Field of Classification Search**

USPC D7/305-311, 313, 397; D15/82

CPC A47J 31/44; A47J 31/4403; A47J 31/46;
A47J 31/4482; A47J 31/369; A47J
31/407; A47J 31/02; B67D 1/36; B67D
2210/0065; B67D 1/0864

See application file for complete search history.

(56) **References Cited**

U.S. PATENT DOCUMENTS

D252,003 S * 6/1979 Tsuji D7/310

D254,646 S * 4/1980 Tsuji D7/310

D336,587 S * 6/1993 Goldstein D7/310
D350,872 S * 9/1994 Zeller D7/305
D352,418 S * 11/1994 Betts D7/300
D380,640 S * 7/1997 Mackay D7/310
7,464,637 B1 * 12/2008 Lin A47J 31/0636
99/317
D718,564 S * 12/2014 Ragot D7/309
D796,886 S * 9/2017 Mangold D7/309
D812,956 S * 3/2018 Liang D7/310
10,123,651 B2 * 11/2018 Rivera A47J 31/4478
10,251,509 B2 * 4/2019 Rivera A47J 31/0647
10,327,580 B2 * 6/2019 Sato A47J 31/465

* cited by examiner

Primary Examiner — Darlington Ly

(74) *Attorney, Agent, or Firm* — Craft Chu PLLC;
Andrew W. Chu

(57) **CLAIM**

The ornamental design for a coffee maker, as shown and described.

DESCRIPTION

1. Coffee maker

1.1 is a right side elevation view of a coffee maker showing my new design;

1.2 is an exploded right side elevation view thereof;

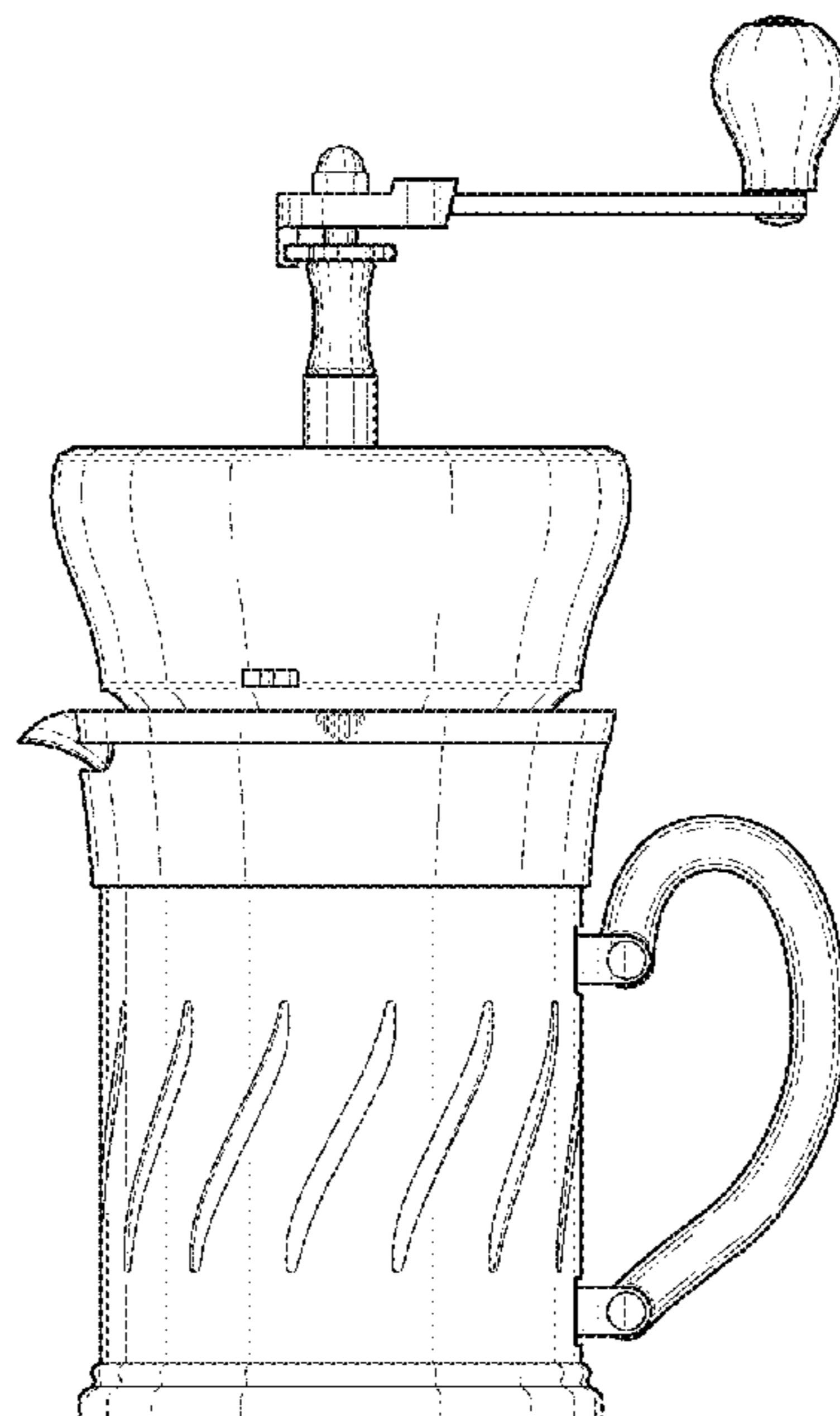
1.3 is a top perspective thereof;

1.4 is a bottom plan thereof; and

1.5 is a top perspective view thereof, showing portions in broken lines.

The broken lines in the drawings illustrate portions of the coffee maker that form no part of the claimed design.

1 Claim, 2 Drawing Sheets



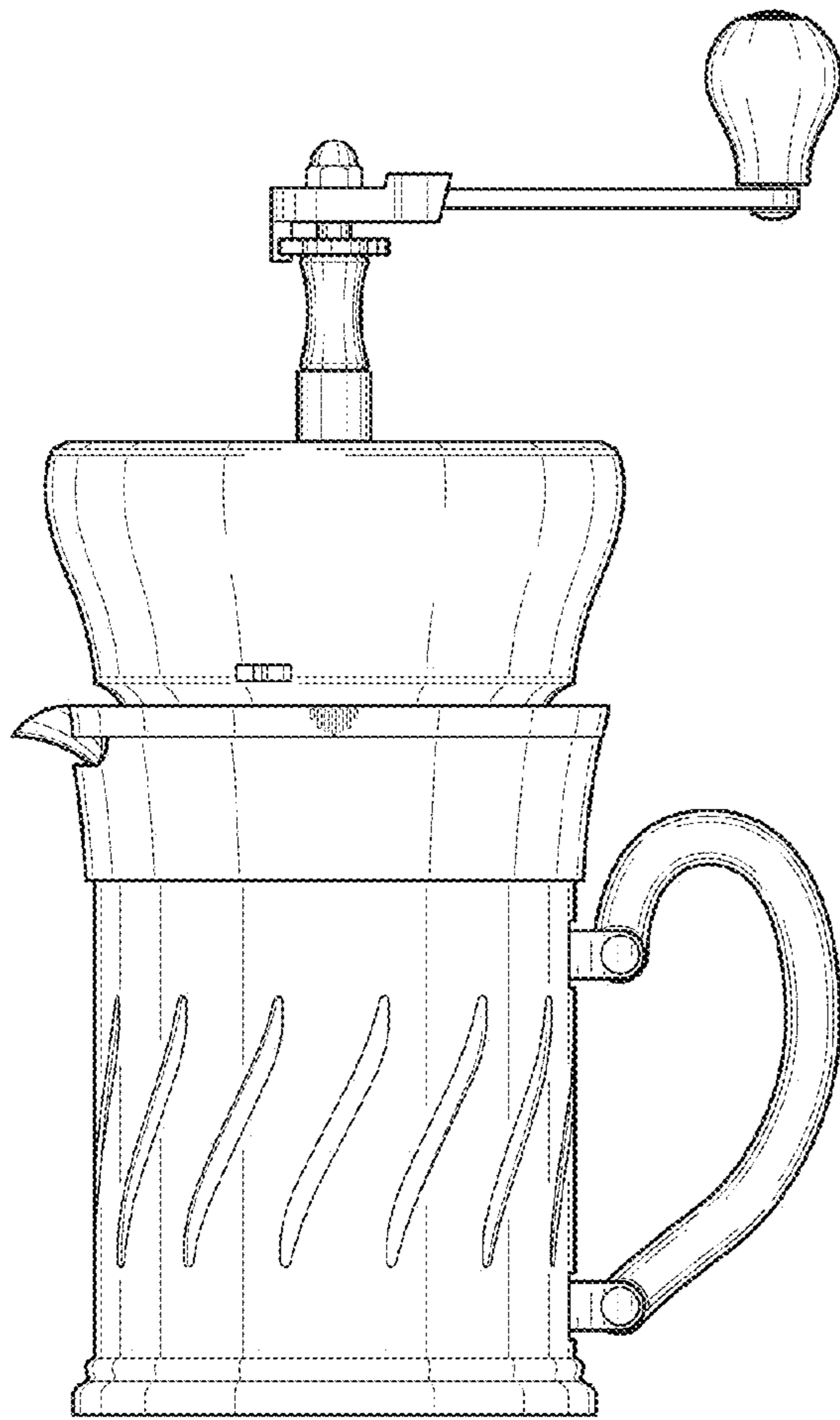


FIG. 1.1

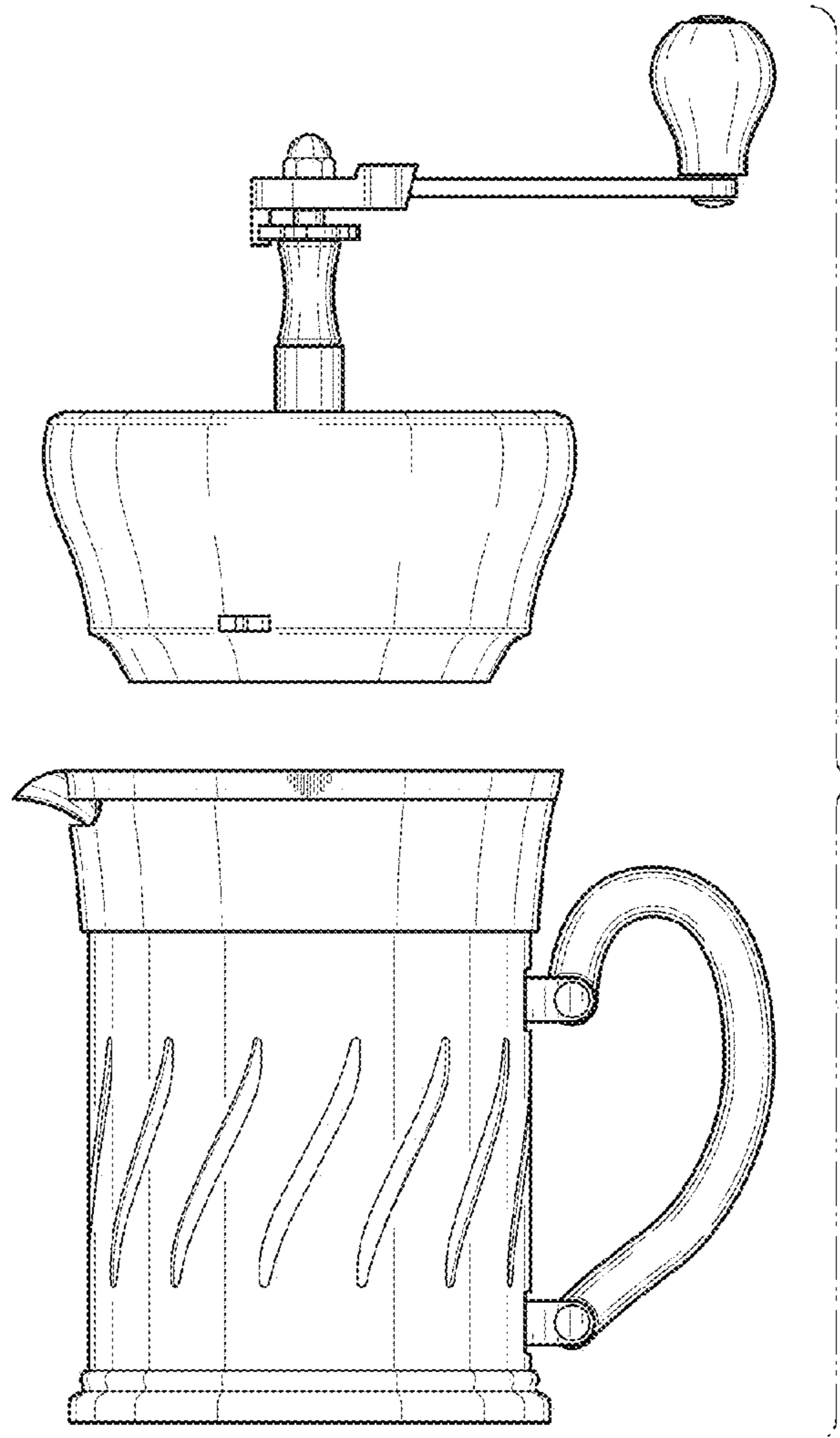


FIG. 1.2

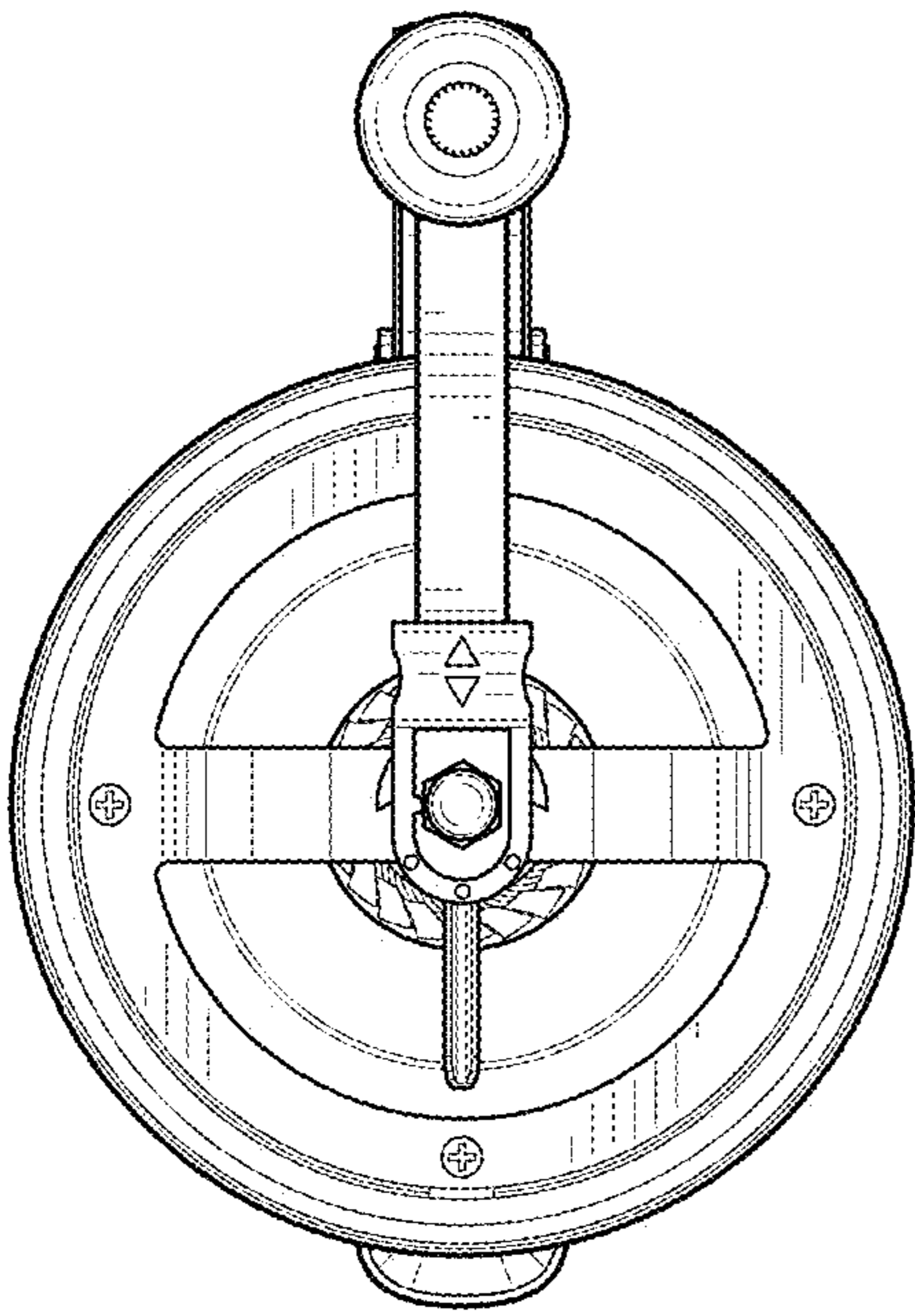


FIG. 1.3

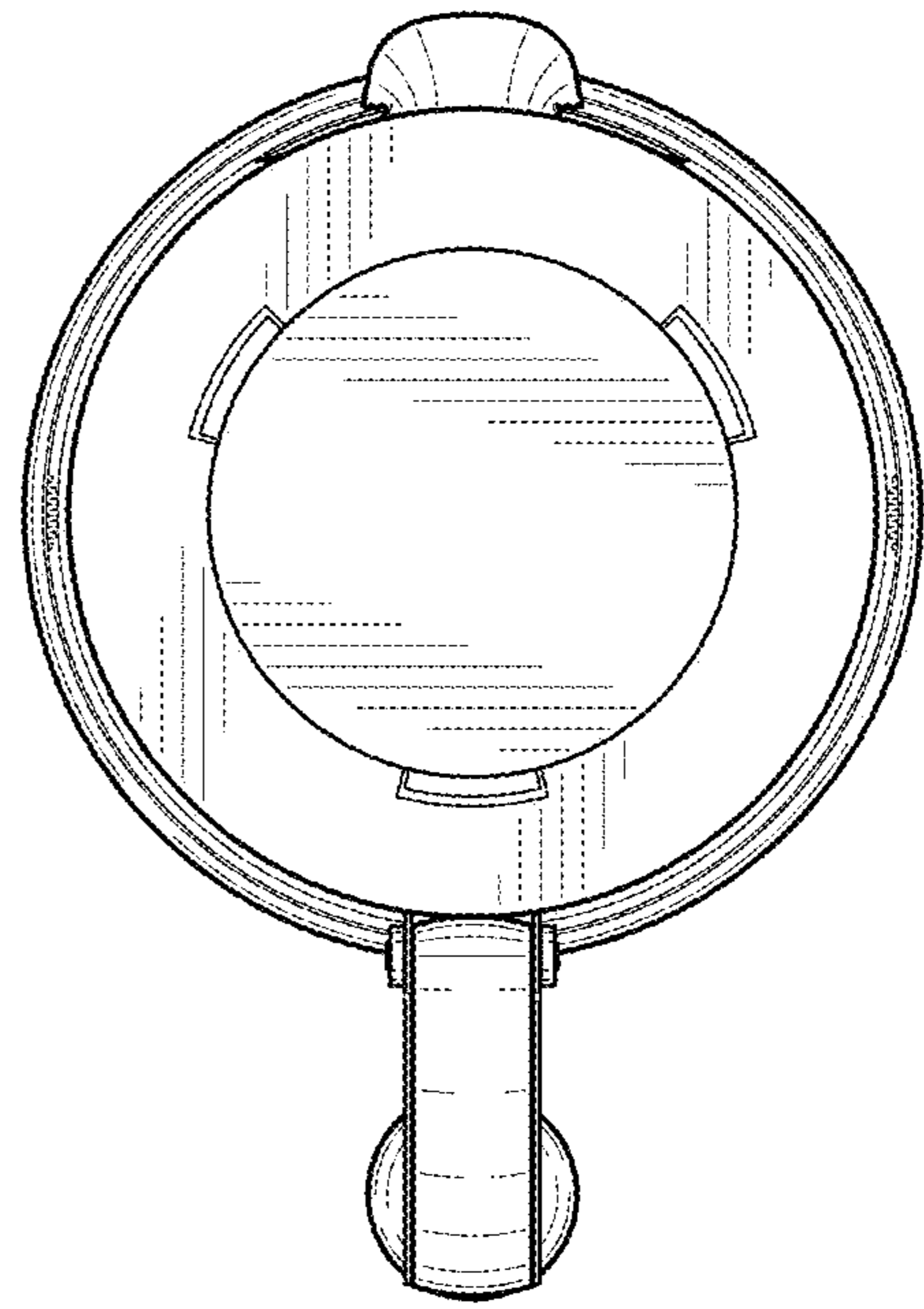


FIG. 1.4

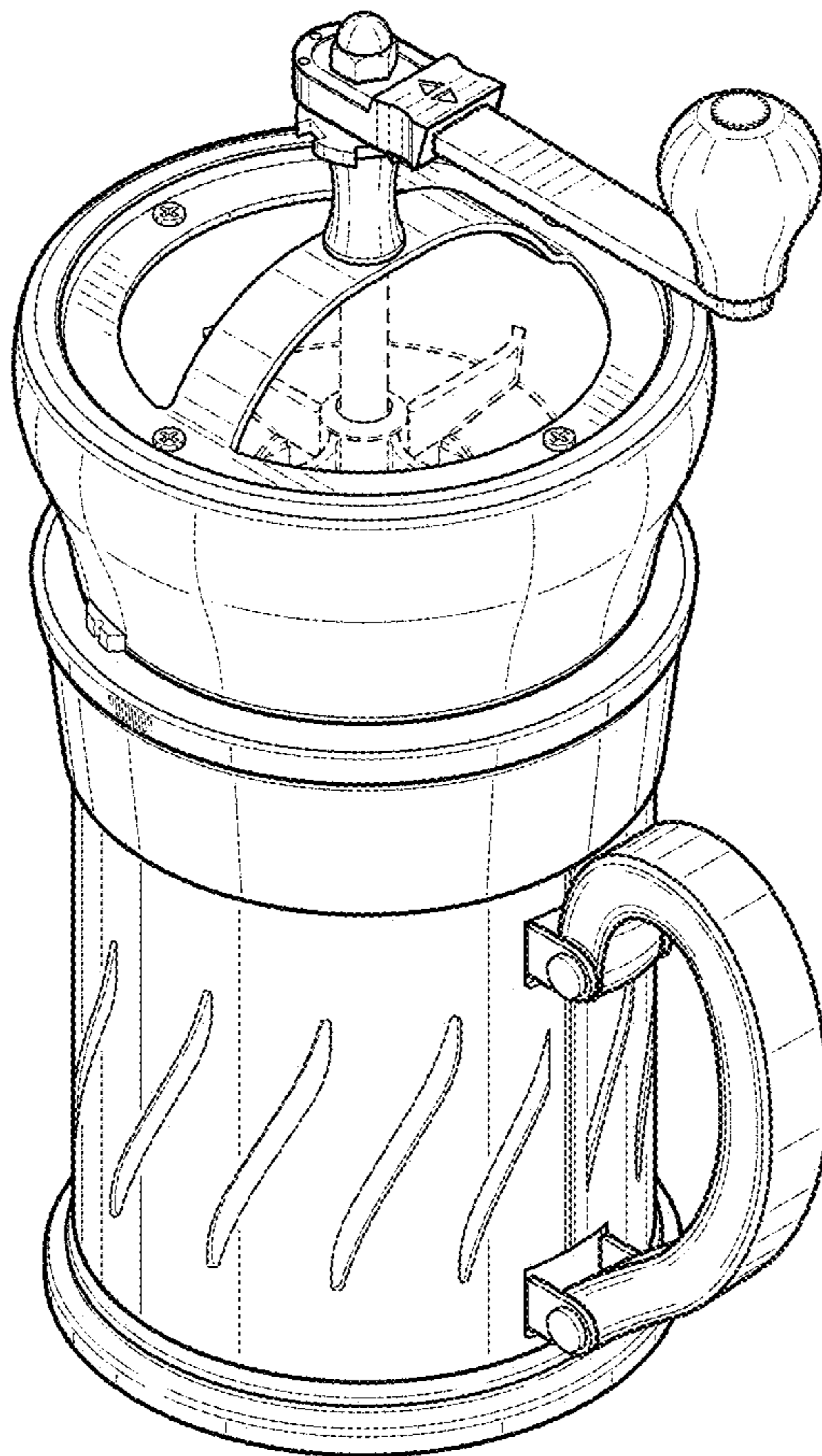


FIG. 1.5