



US00D884404S

(12) **United States Design Patent** (10) **Patent No.:** **US D884,404 S**
Epis (45) **Date of Patent:** **** May 19, 2020**

(54) **COFFEE MACHINE**
(71) Applicant: **GEMME ITALIAN PRODUCERS S.R.L.**, Castegnato, Brescia (IT)
(72) Inventor: **Giorgio Epis**, Brescia (IT)
(73) Assignee: **GEMME ITALIAN PRODUCERS S.R.L.**, Brescia (IT)

4,644,856 A * 2/1987 Borgmann A47J 31/4464
210/455
D298,402 S * 11/1988 Seiffert D7/309
D309,842 S * 8/1990 Frech D7/308
D360,555 S * 7/1995 Gil De Miguel D7/309
D471,053 S * 3/2003 Conti D7/301
D478,765 S * 8/2003 Seum D7/308
D495,915 S * 9/2004 Cahen D7/308
D540,608 S * 4/2007 Cahen D7/306
D589,739 S * 4/2009 Giugiaro D7/308
D592,003 S * 5/2009 Giugiaro D7/308

(**) Term: **15 Years**

(Continued)

(21) Appl. No.: **35/506,566**

OTHER PUBLICATIONS

(22) Filed: **Nov. 27, 2018**

Lelit Bianca PL 162T. Lelit Espresso Machines online catalog; pp. 40-41. Dated Jan. 8, 2019. Found online Jan. 2, 2020 at https://espresso.lelit.com/bundles/looptribelelitespresso/documents/catalogo_lelit_ENG.pdf?201810091200.*

(80) **Hague Agreement Data**

Int. Filing Date: **Nov. 27, 2018**
Int. Reg. No.: **DM/200515**
Int. Reg. Date: **Nov. 27, 2018**
Int. Reg. Pub. Date: **Apr. 12, 2019**

Primary Examiner — Robert M. Spear
(74) *Attorney, Agent, or Firm* — Thomas | Horstemeyer, LLP

(30) **Foreign Application Priority Data**

Jun. 12, 2018 (IT) 402018000002480

(57) **CLAIM**

(51) **LOC (12) Cl.** **07-01**

The ornamental design for a coffee machine, as shown and described.

(52) **U.S. Cl.**
USPC **D7/309**

DESCRIPTION

(58) **Field of Classification Search**
USPC D7/306-311, 398, 399, 305, 373;
D15/80; D20/1, 4
CPC A47J 31/3614; A47J 31/4403; A47J 31/46
See application file for complete search history.

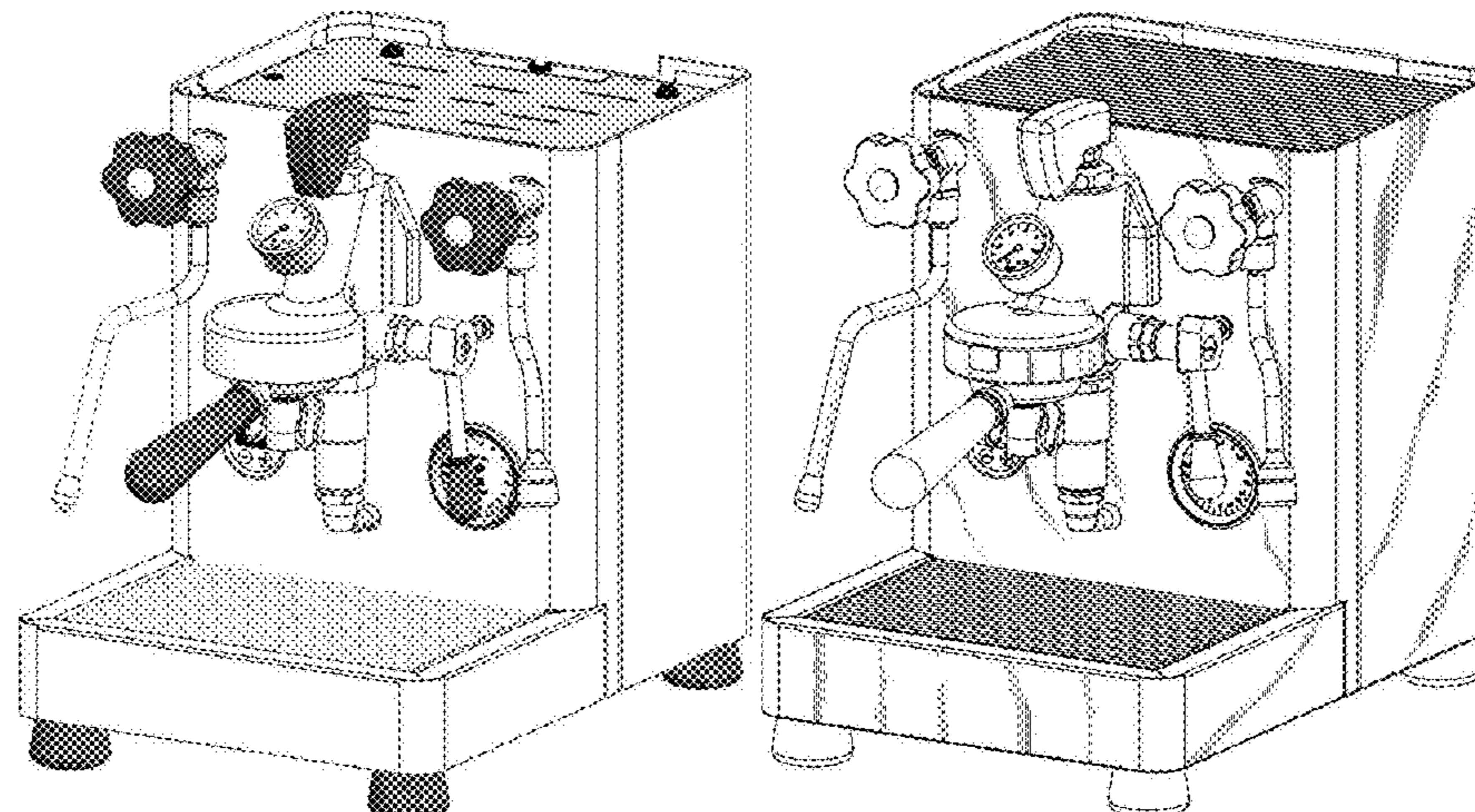
1.1 is a perspective view of a coffee machine, showing my new design.
1.2 is another perspective view thereof, from a different angle than 1.1;
1.3 is a front view thereof;
2.1 is a perspective view of another variant of the coffee machine of 1.1;
2.2 is another perspective view, from a different angle than 2.1;
2.3 is a side view thereof;
2.4 is another side view thereof, from a different side than 2.3; and
2.5 is a front view thereof.

(56) **References Cited**

U.S. PATENT DOCUMENTS

D68,333 S * 9/1925 MackKay D7/398
D95,762 S * 5/1935 Leins D7/398
D113,994 S * 3/1939 Picut D7/398
D183,072 S * 6/1958 Wentz D7/398
D183,678 S * 10/1958 Brundage D7/398
D270,991 S * 10/1983 Thiessen D7/398

(Continued)



The dark shading in the pictures of the coffee machine represents color contrast.

1 Claim, 8 Drawing Sheets

(56)

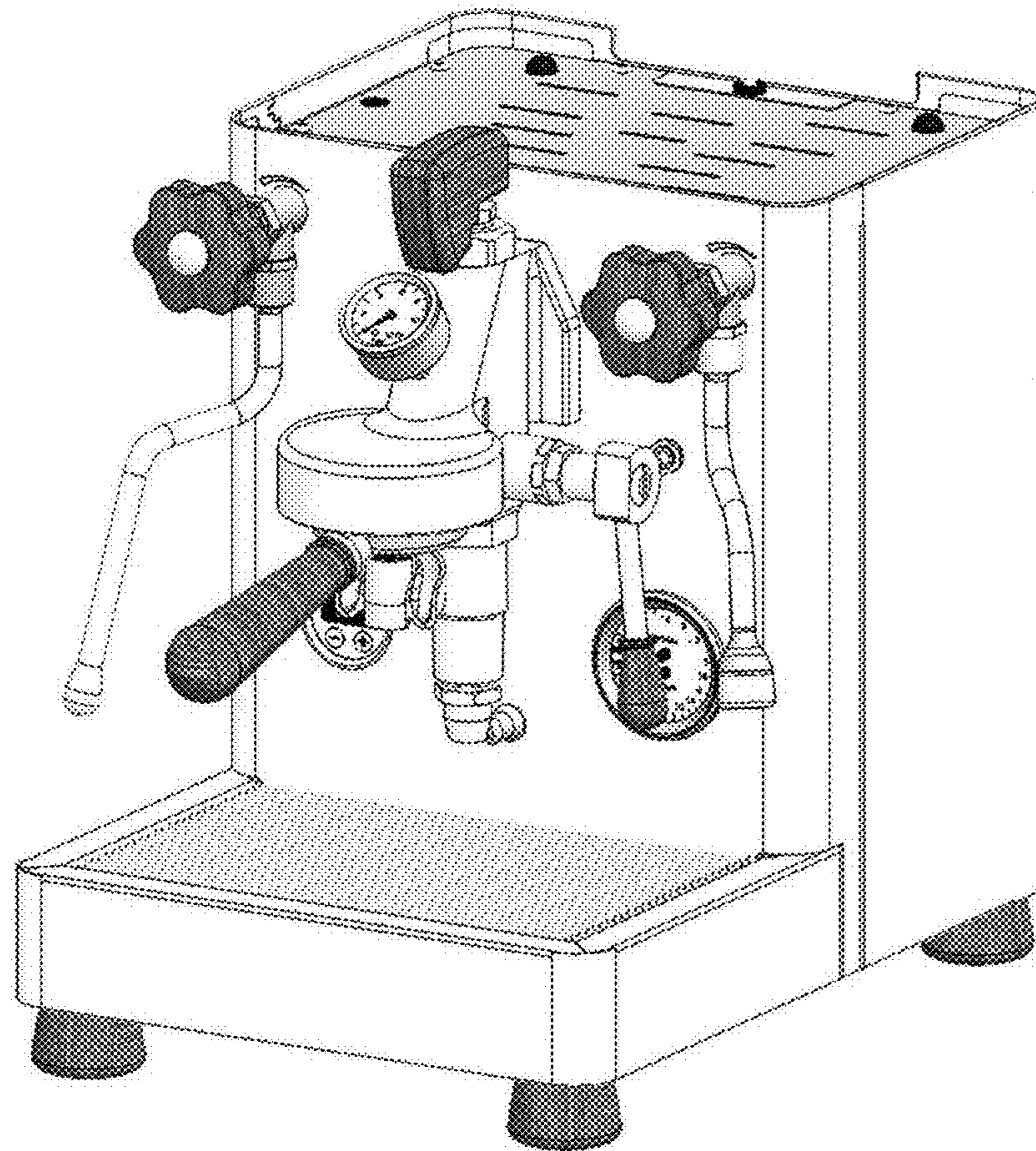
References Cited

U.S. PATENT DOCUMENTS

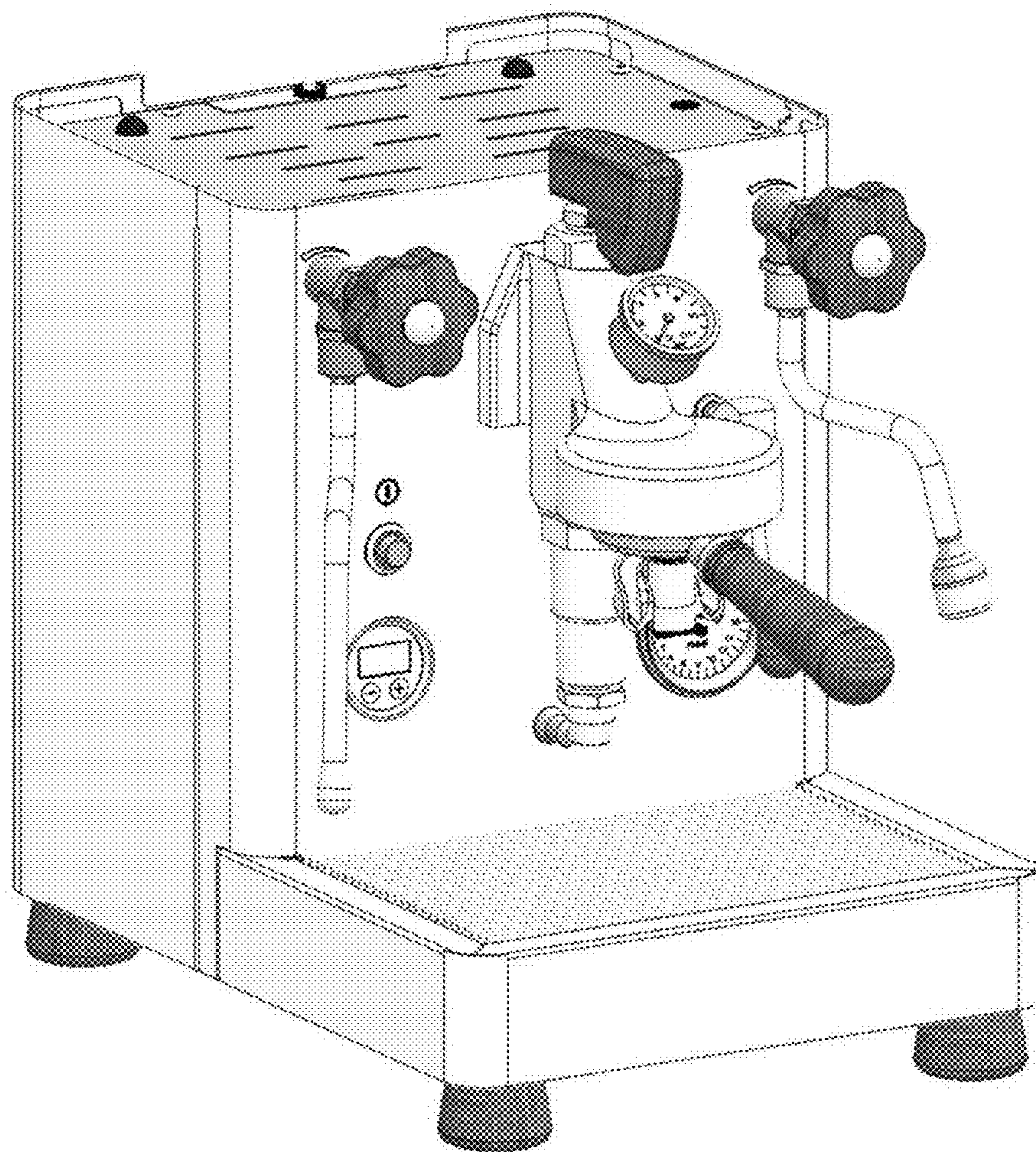
D630,880 S *	1/2011	Zimmermann	D7/309
D726,497 S *	4/2015	Wang	D7/397
D741,646 S *	10/2015	Supple	D22/140
D749,193 S *	2/2016	Beal	D23/233
D803,612 S *	11/2017	Byun	D7/309
D812,405 S *	3/2018	Guelfo	D7/309
D857,451 S *	8/2019	Alpmen	D7/398
D859,902 S *	9/2019	van de Goor	D7/307
D865,428 S *	11/2019	Cometti	D7/309

* cited by examiner

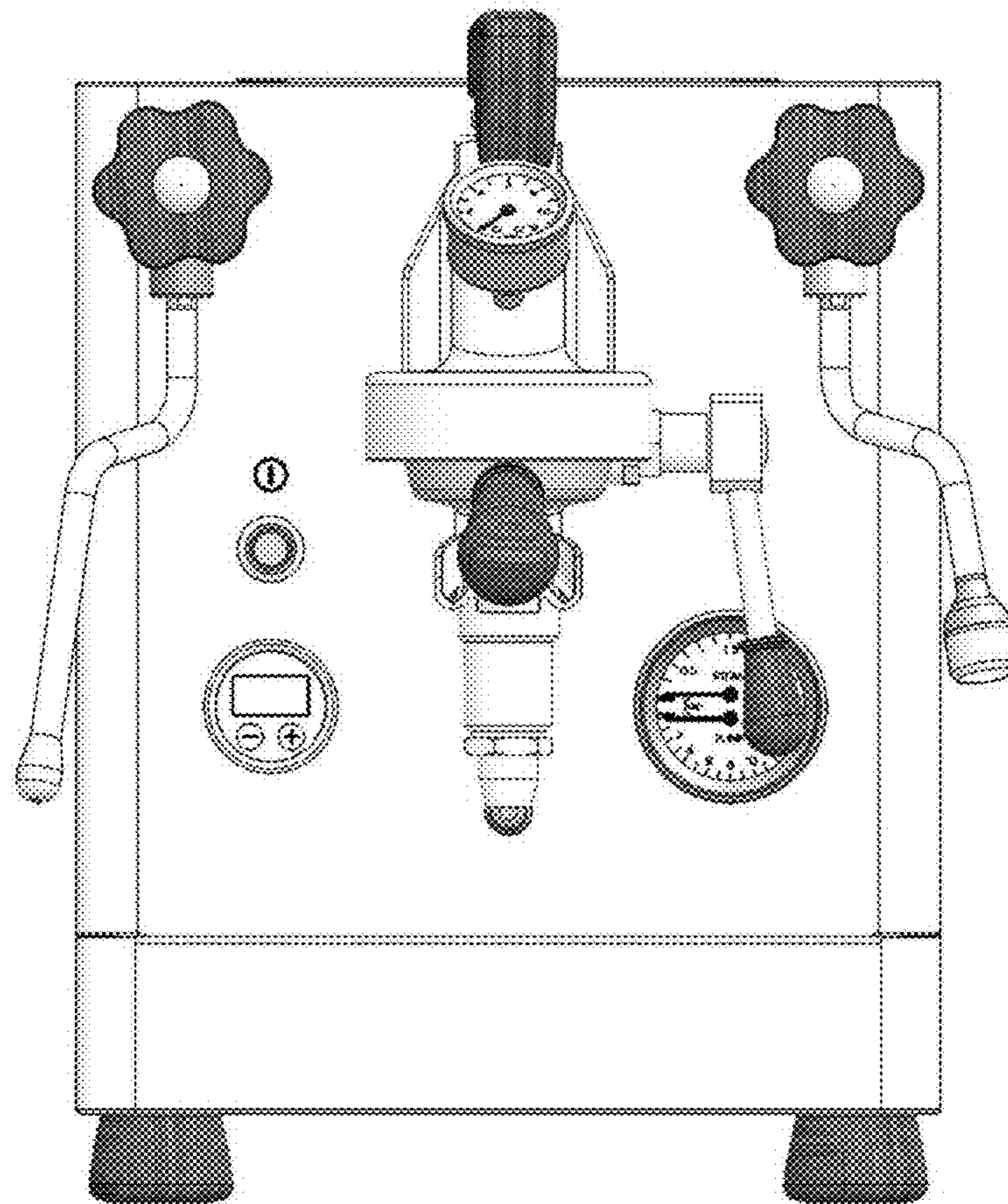
1.1



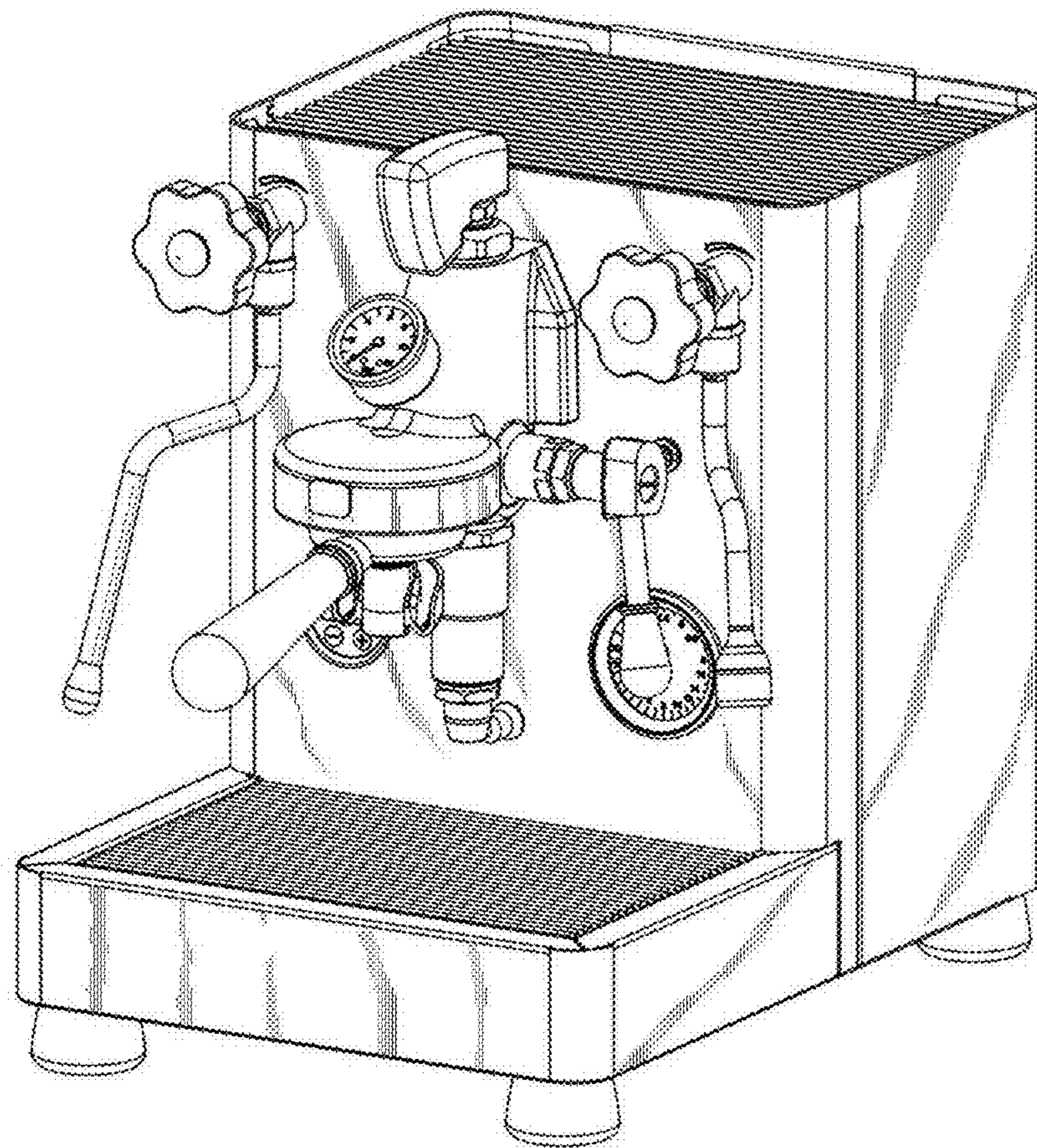
1.2



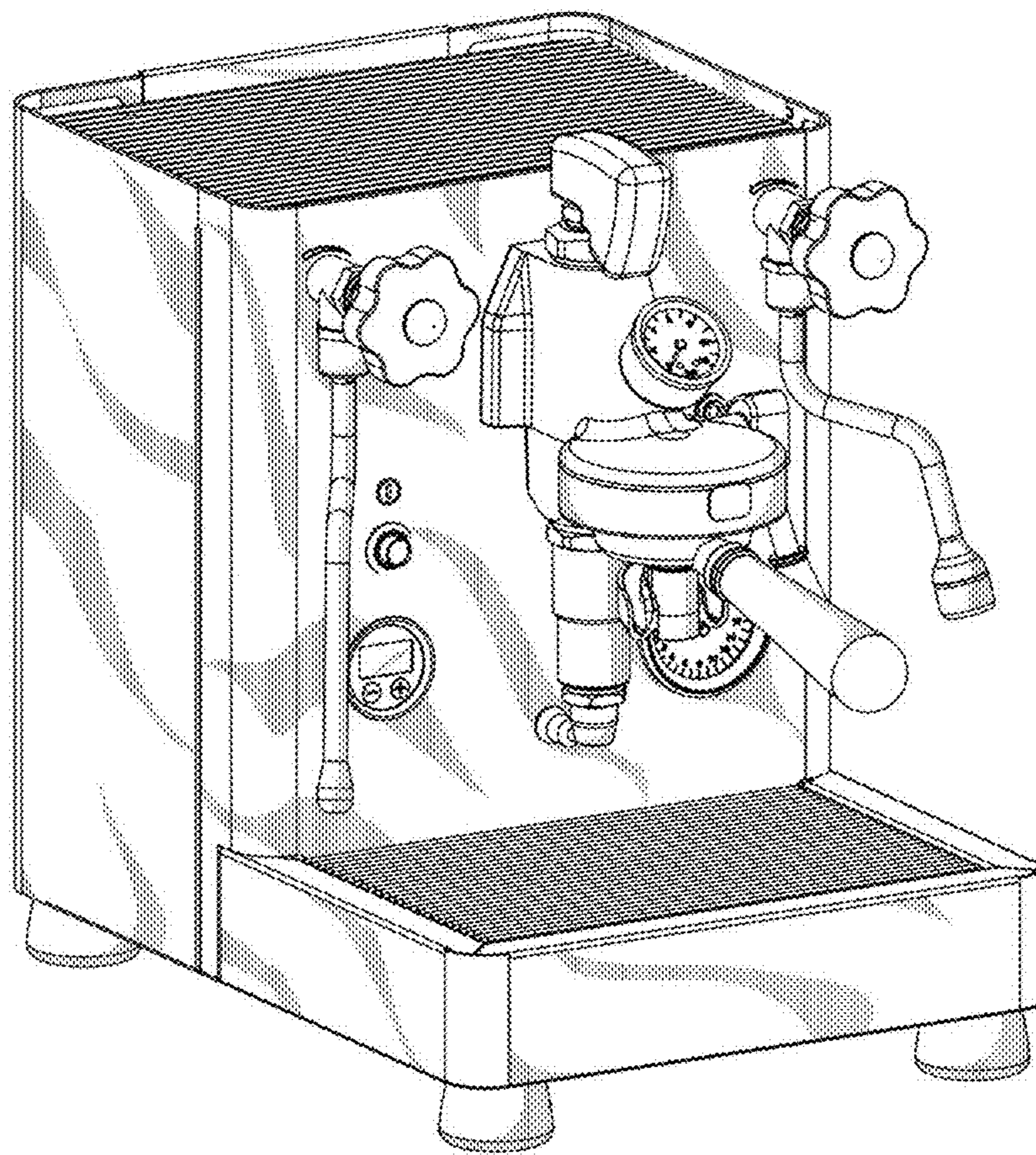
1.3



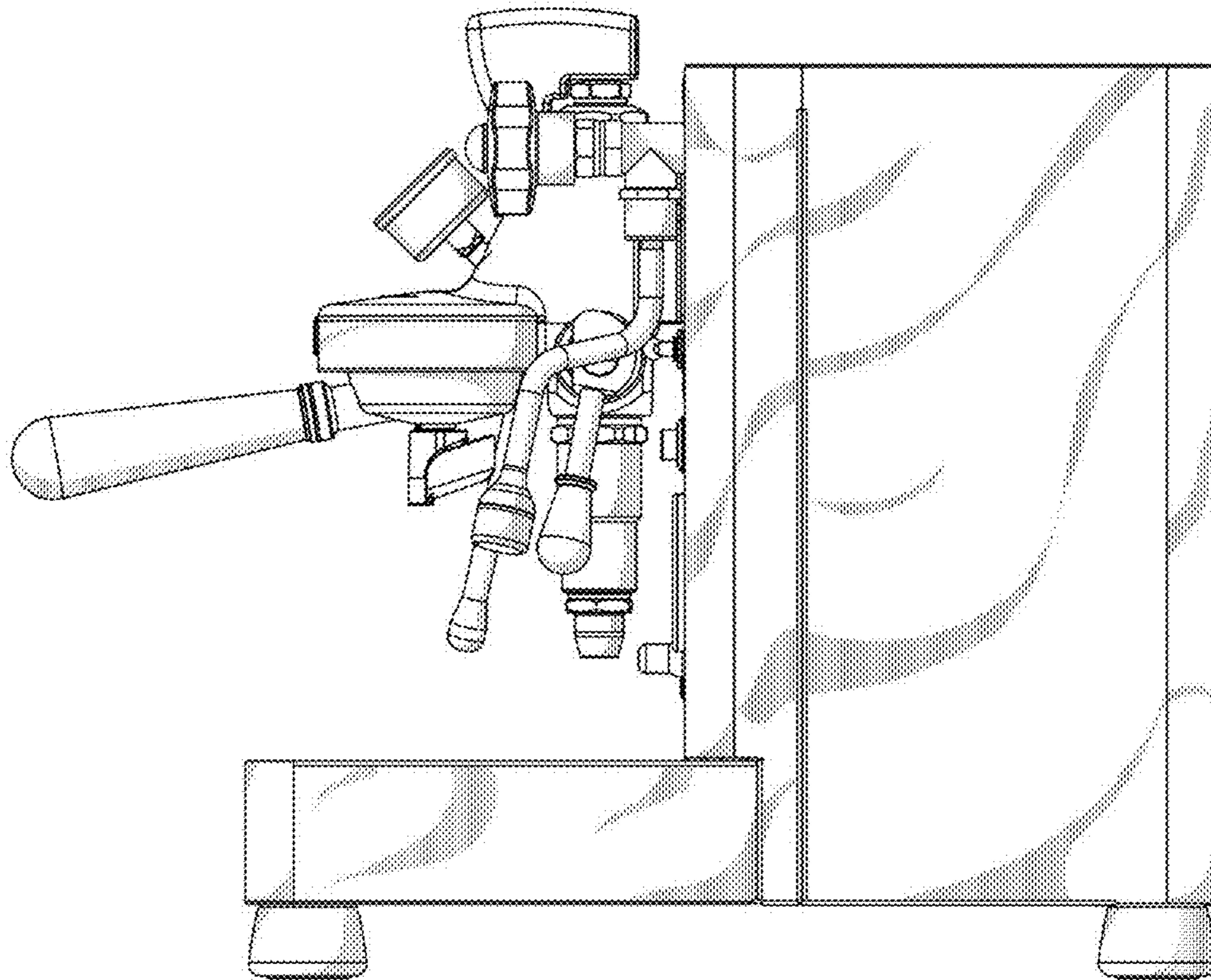
2.1



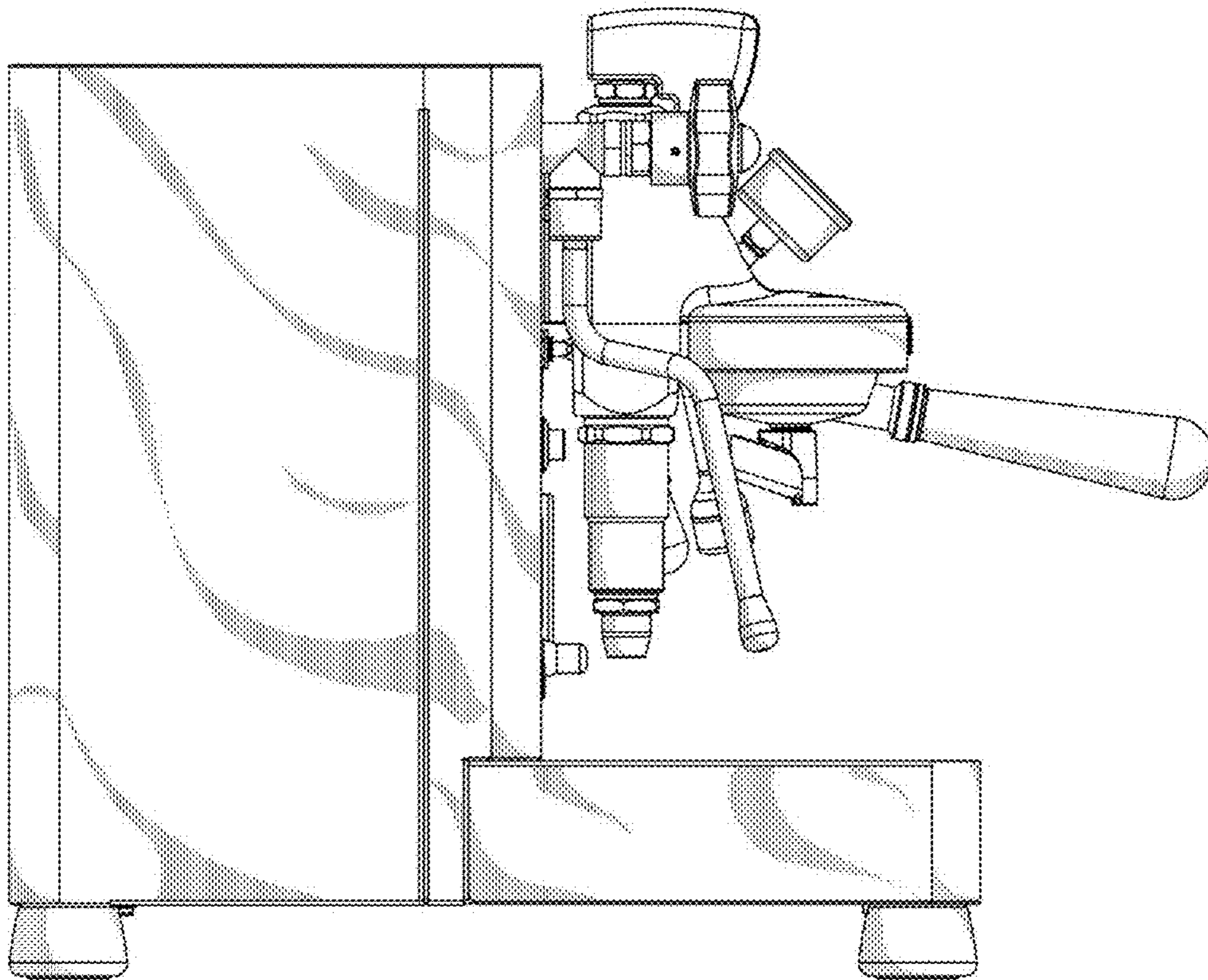
2.2



2.3



2.4



2.5

