



US00D884402S

(12) **United States Design Patent** (10) **Patent No.:** **US D884,402 S**  
**Cvek** (45) **Date of Patent:** **\*\* May 19, 2020**

(54) **CHAIR BASE**  
(71) Applicant: **Sava Cvek**, Jamaica Plain, MA (US)  
(72) Inventor: **Sava Cvek**, Jamaica Plain, MA (US)  
(\*\*) Term: **15 Years**  
(21) Appl. No.: **29/625,281**  
(22) Filed: **Nov. 8, 2017**  
(51) **LOC (12) Cl.** ..... **06-06**  
(52) **U.S. Cl.**  
USPC ..... **D6/708.16**  
(58) **Field of Classification Search**  
USPC ..... D6/375, 368, 614, 621, 623, 624, 680.3,  
D6/708.16, 716  
CPC ..... A47C 1/03; A47C 1/024; A47C 1/032;  
A47C 1/14; A47C 3/00; A47C 3/026;  
A47C 3/18; A47C 4/00; A47C 4/28;  
A47C 4/48; A47C 4/52; A47C 4/286;  
A47C 7/004; A47C 7/00; A47C 7/14;  
A47C 7/44; A47C 7/62; A47C 7/66;  
A47C 7/407; A47B 91/02; A47D 1/02;  
E04H 15/02; E04H 15/06; E04H 15/38;  
E04H 15/48

See application file for complete search history.

(56) **References Cited**

U.S. PATENT DOCUMENTS

D171,176 S \* 12/1953 Yellen ..... D6/375  
D234,384 S 2/1975 Tacke  
D236,061 S 7/1975 Tacke  
3,937,434 A 2/1976 Tacke  
D242,592 S 12/1976 Gabourie  
4,288,052 A 9/1981 Scott  
4,854,641 A 8/1989 Reineman et al.  
D319,159 S 8/1991 Silbersky et al.  
D330,133 S 10/1992 Lucht  
5,290,004 A 3/1994 Frost et al.  
5,290,050 A \* 3/1994 Kim ..... A45C 3/04  
220/6

D347,740 S 6/1994 Locher  
D407,580 S \* 4/1999 Ossip ..... D6/680.3  
RE36,640 E 4/2000 Frost et al.  
6,247,750 B1 \* 6/2001 Tsai ..... A47C 4/286  
297/153  
6,273,506 B1 8/2001 Niergarth et al.  
6,439,665 B1 8/2002 Cvek  
D462,207 S 9/2002 Chen  
D477,925 S 8/2003 Lucci et al.  
D487,642 S 3/2004 Lucci et al.  
D508,805 S 8/2005 Cvek  
6,966,604 B2 11/2005 Stumpf et al.  
7,066,534 B2 \* 6/2006 Choi ..... A47C 4/286  
297/16.2  
D525,461 S 7/2006 Egger  
7,201,442 B1 \* 4/2007 Decosta, Jr. .... A47C 7/66  
135/16

(Continued)

*Primary Examiner* — Kevin K Rudzinski  
*Assistant Examiner* — Paul D Bohannon  
(74) *Attorney, Agent, or Firm* — Thomas P. O’Connell;  
O’Connell Law Firm

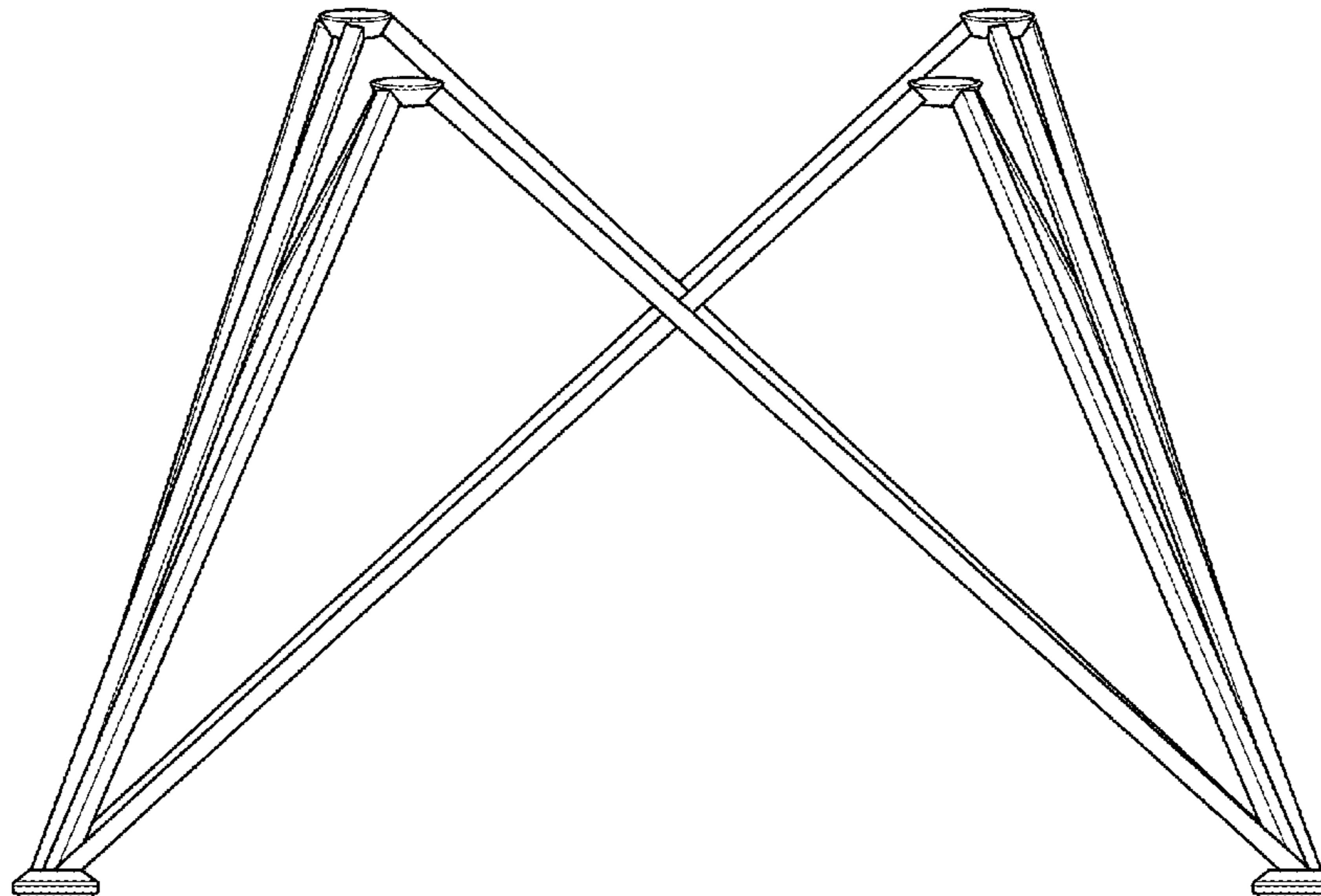
(57) **CLAIM**

The ornamental design for a chair base, as shown and described.

**DESCRIPTION**

FIG. 1 is a view in front elevation of a chair base showing my new design;  
FIG. 2 is a view in rear elevation thereof;  
FIG. 3 is a top plan view thereof;  
FIG. 4 is a bottom plan view thereof; and,  
FIG. 5 is a view in right side elevation thereof with the view in left side elevation being a mirror image of the view in right side elevation.  
The broken lines shown in FIGS. 3 and 4 are for the purpose of illustrating portions of the article and form no part of the claimed design.

**1 Claim, 5 Drawing Sheets**



(56)

**References Cited**

## U.S. PATENT DOCUMENTS

7,758,111 B2 \* 7/2010 Chen ..... A47C 4/286  
297/16.1  
8,024,825 B2 \* 9/2011 Harrison ..... B62B 3/02  
280/647  
8,186,755 B2 \* 5/2012 Lovley ..... A47C 4/286  
135/119  
D679,517 S 4/2013 Corcorran et al.  
D699,492 S \* 2/2014 Day ..... D6/368  
D729,530 S 5/2015 Robins et al.  
D729,561 S 5/2015 Robins et al.  
9,506,269 B2 \* 11/2016 Armstrong ..... E04H 15/003  
9,675,177 B1 \* 6/2017 Letourneau ..... A47C 7/008  
D799,845 S 10/2017 Cvek  
9,950,230 B2 \* 4/2018 Silva ..... A63B 71/0036  
10,201,231 B2 \* 2/2019 Homans ..... A47C 1/146  
10,231,548 B2 \* 3/2019 Zhu ..... A47C 4/283  
10,330,247 B2 \* 6/2019 Shimodaira ..... E04B 1/344  
10,455,912 B2 \* 10/2019 Arndt ..... A45B 25/10  
10,508,466 B2 \* 12/2019 Huang ..... E04H 15/50  
2010/0025934 A1 \* 2/2010 Hassman ..... A63B 63/00  
273/400  
2016/0166068 A1 \* 6/2016 Holzhauser ..... A63B 67/06  
297/16.1  
2016/0192783 A1 \* 7/2016 Kelly ..... A47C 7/62  
135/96

\* cited by examiner

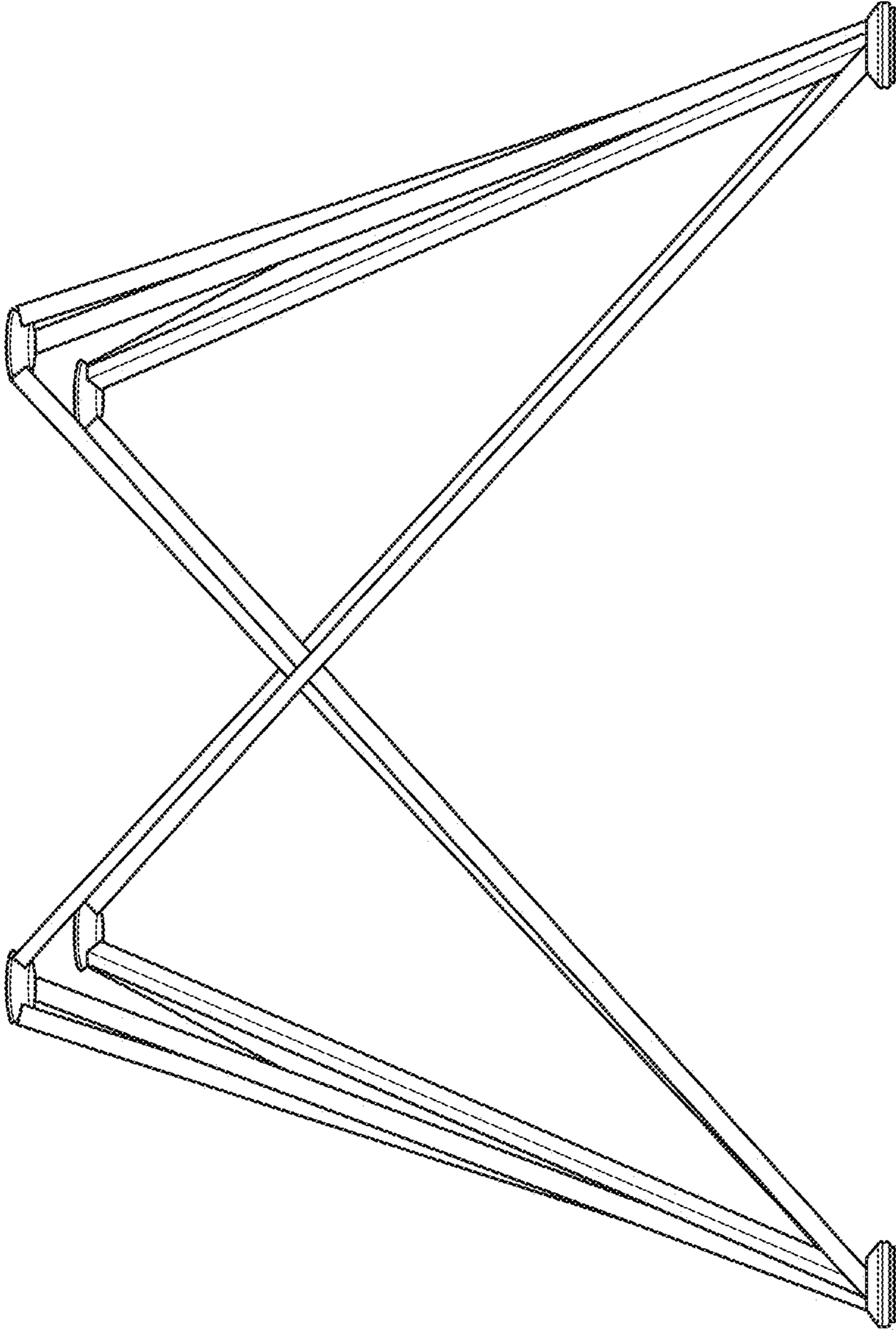


FIG. 1

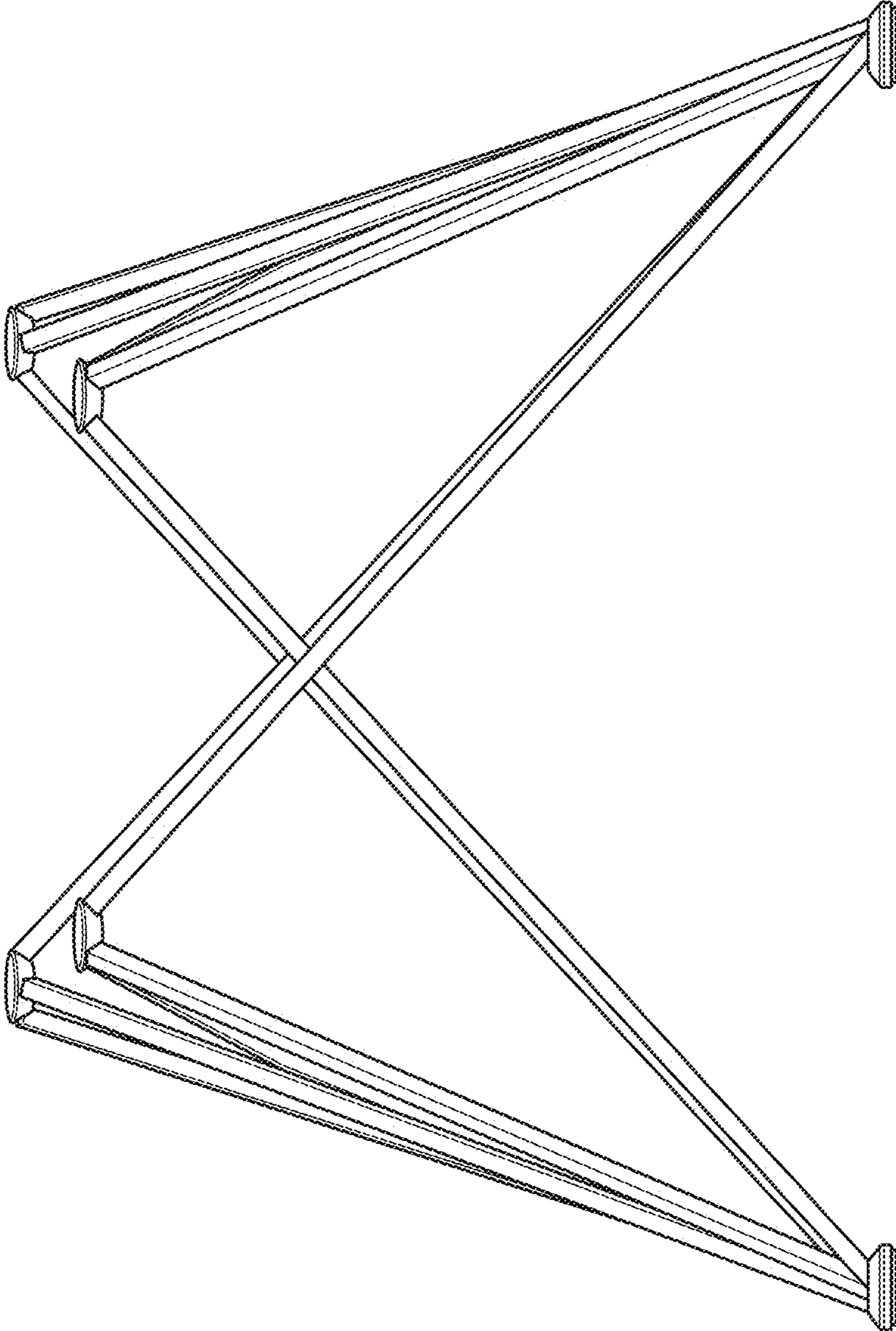


FIG. 2

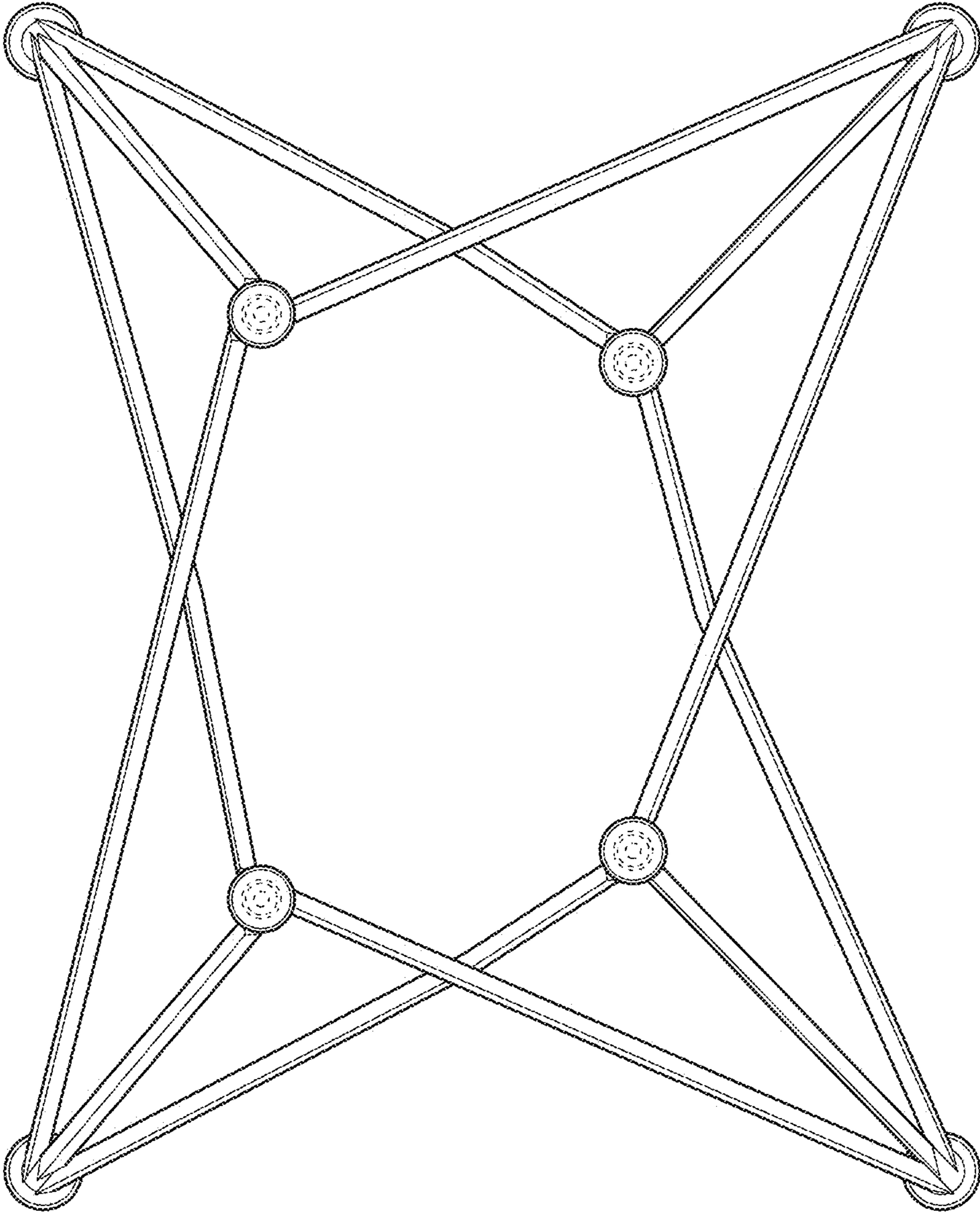


FIG. 3

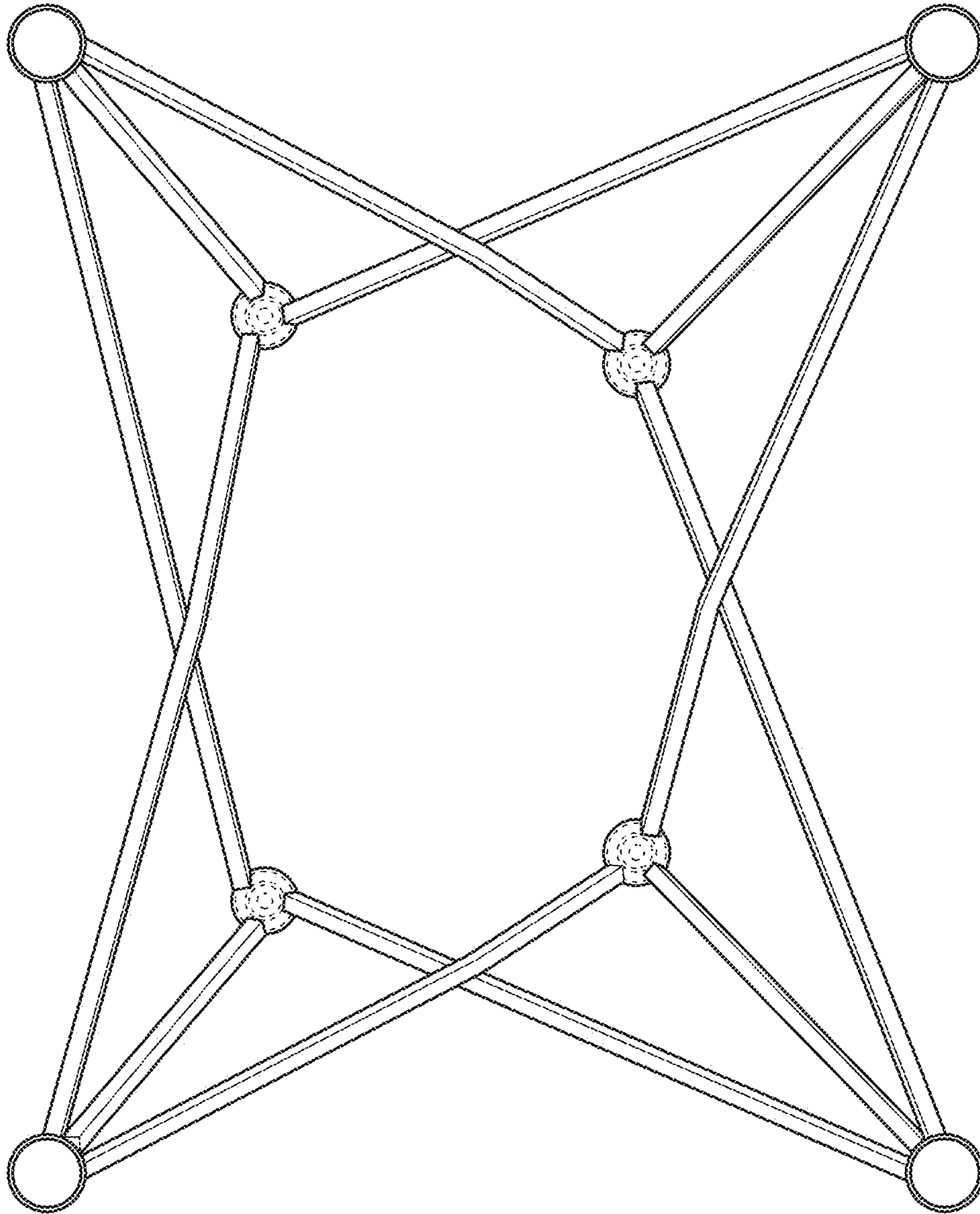


FIG. 4

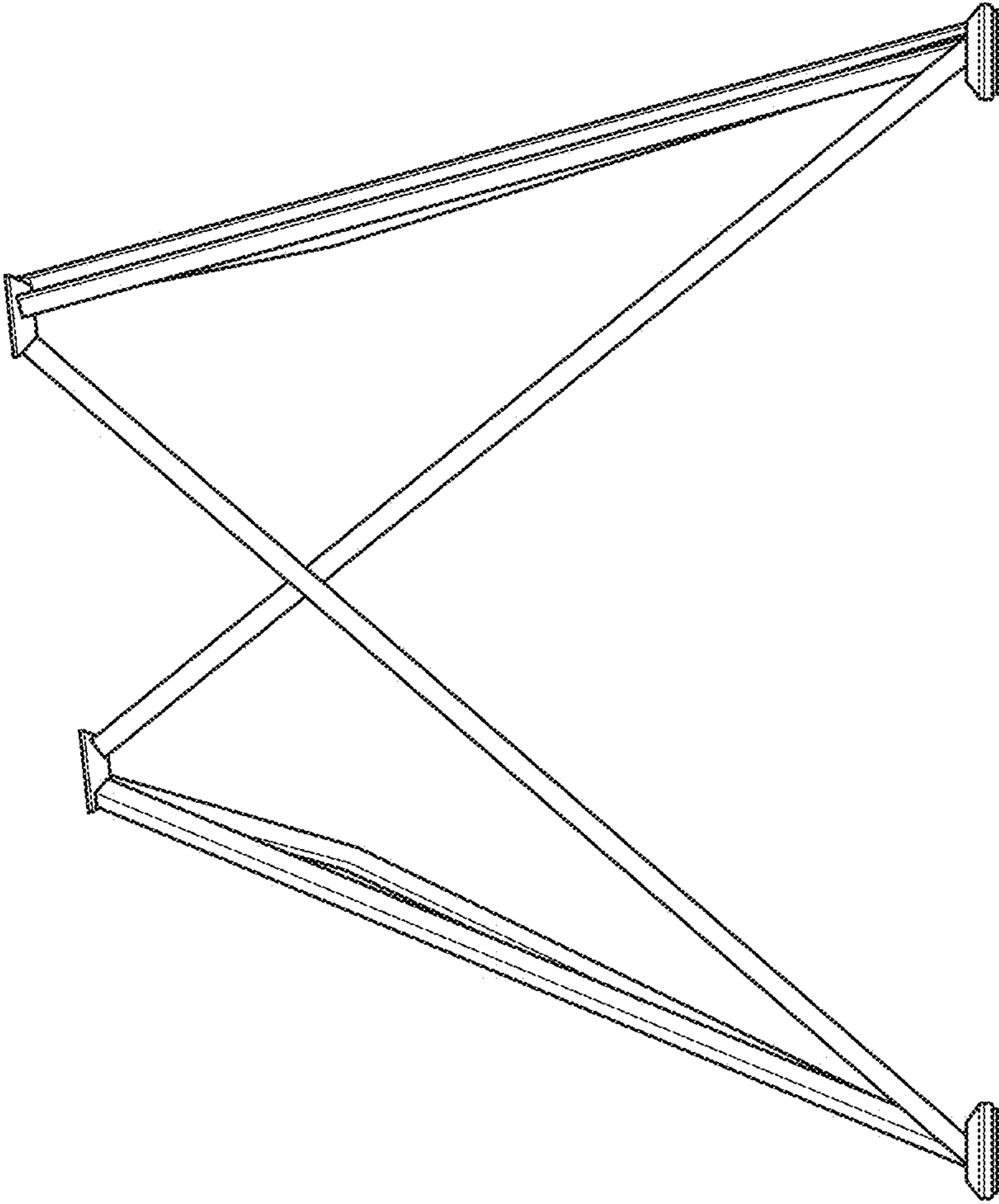


FIG. 5