



US00D884400S

(12) **United States Design Patent** (10) **Patent No.:** **US D884,400 S**
Chen (45) **Date of Patent:** **** May 19, 2020**

(54) **DESK SHELF**
(71) Applicant: **Shenzhen ShengDi Development Co., Ltd.**, Shenzhen, Guangdong (CN)
(72) Inventor: **Haiqiang Chen**, Guangdong (CN)
(**) Term: **15 Years**
(21) Appl. No.: **29/717,319**
(22) Filed: **Dec. 17, 2019**
(51) **LOC (12) Cl.** **06-06**
(52) **U.S. Cl.**
USPC **D6/705**
(58) **Field of Classification Search**
USPC D6/705, 303, 305, 311, 641, 642, 643, D6/648, 648.2, 672, 675, 675.1, 675.3, D6/683, 683.1, 686, 689, 691.2, 692, 700, D6/702, 705.5, 707.15, 371, 381
CPC A47F 5/0025; A47F 5/0043; A47F 5/0081; B25H 3/00; A47B 45/00; A47B 47/04
See application file for complete search history.

(56) **References Cited**
U.S. PATENT DOCUMENTS
4,056,067 A * 11/1977 Steger A47B 47/04 108/101
D248,345 S * 7/1978 Stoddard D6/353
D583,577 S * 12/2008 Wicha D6/349

D727,644 S * 4/2015 Sorel D6/349
D728,251 S * 5/2015 Domingo D6/353
D753,419 S * 4/2016 Heirakuji D6/675
D770,797 S * 11/2016 De Franza D6/525
D829,013 S * 9/2018 Velez D6/349
D834,841 S * 12/2018 Mandon D6/349
D848,759 S * 5/2019 Kim D6/553
D861,403 S * 10/2019 Hurford
D868,489 S * 12/2019 Mandon D6/349
D870,474 S * 12/2019 Mandon D6/349
D874,840 S * 2/2020 Krouwel D6/349

* cited by examiner

Primary Examiner — Nathan M Johnston
(74) *Attorney, Agent, or Firm* — ZANIP

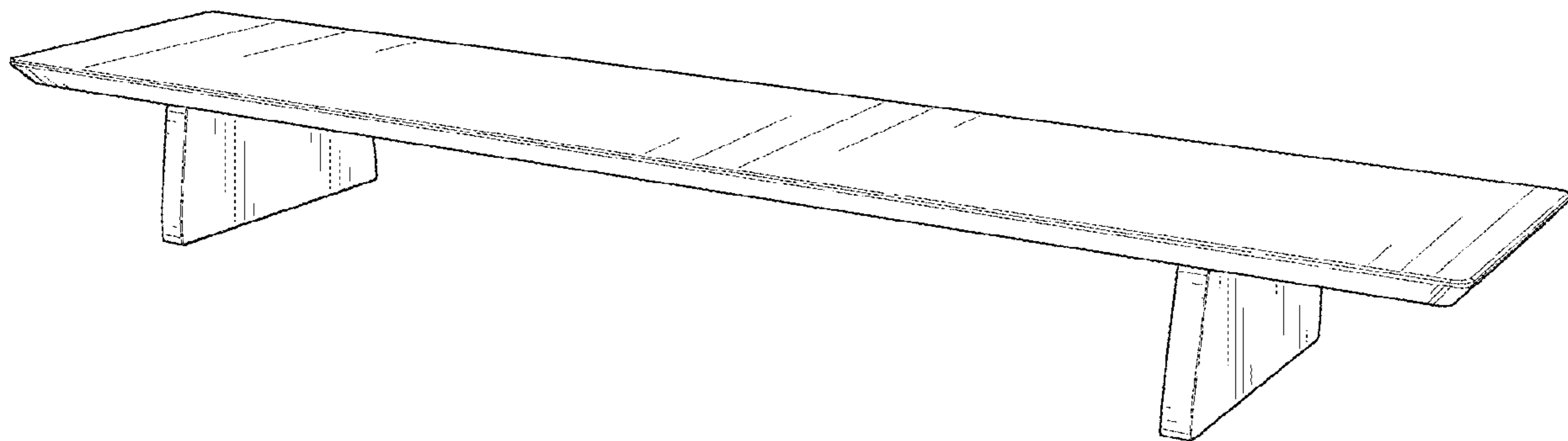
(57) **CLAIM**

The ornamental design for a desk shelf, as shown and described.

DESCRIPTION

FIG. 1 is a front and top perspective view of a desk shelf, showing my new design;
FIG. 2 is a rear and top perspective view thereof;
FIG. 3 is a front elevational view thereof;
FIG. 4 is a rear elevational view thereof;
FIG. 5 is a left side elevational view thereof;
FIG. 6 is a right side elevational view thereof;
FIG. 7 is a top plan view thereof; and,
FIG. 8 is a bottom plan view thereof.

1 Claim, 8 Drawing Sheets



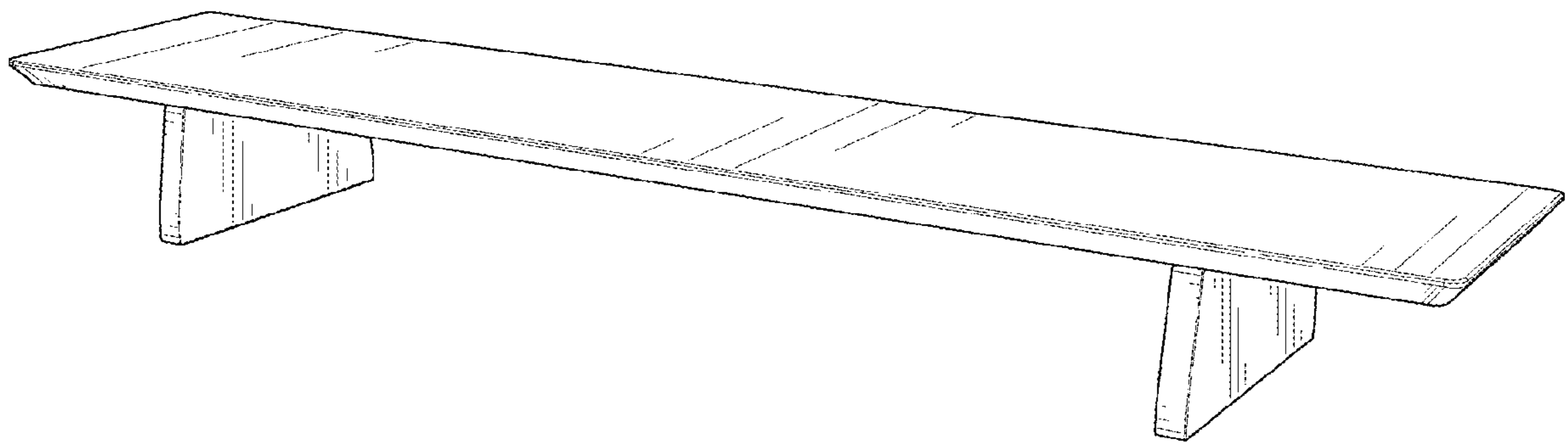


FIG. 1

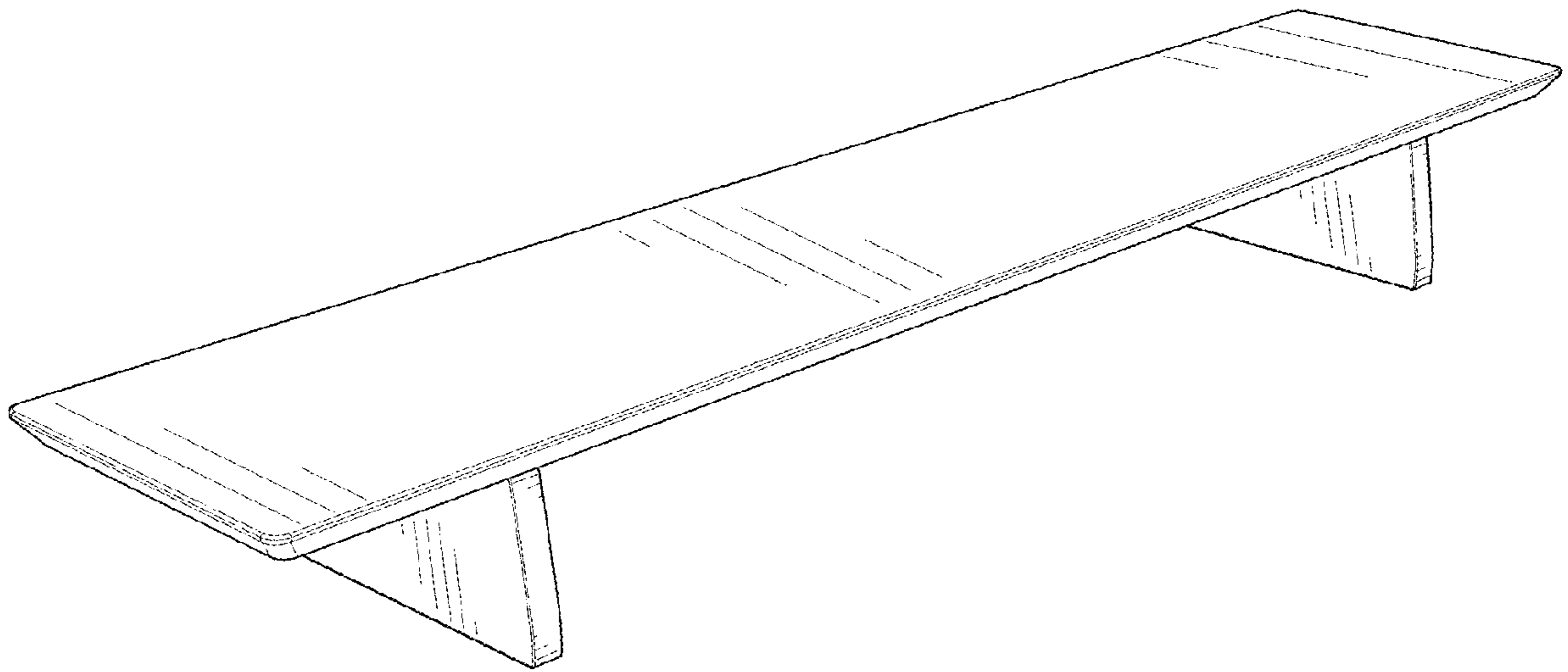


FIG. 2

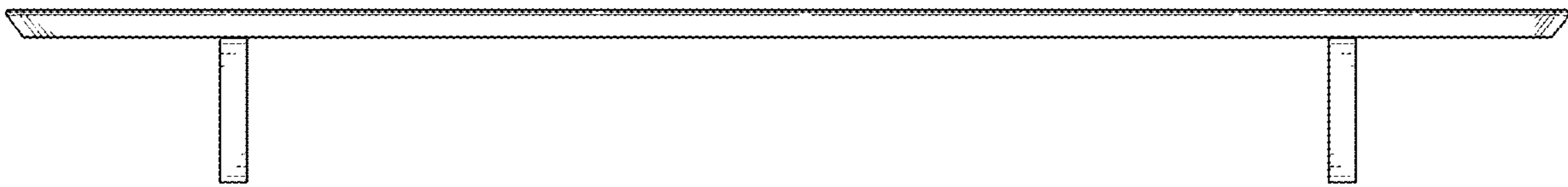


FIG. 3

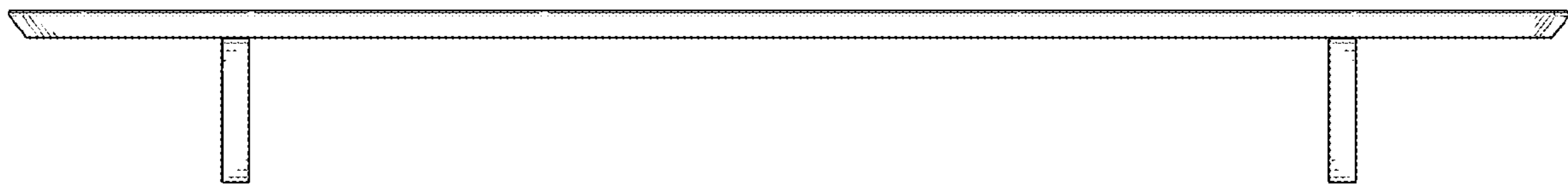


FIG. 4

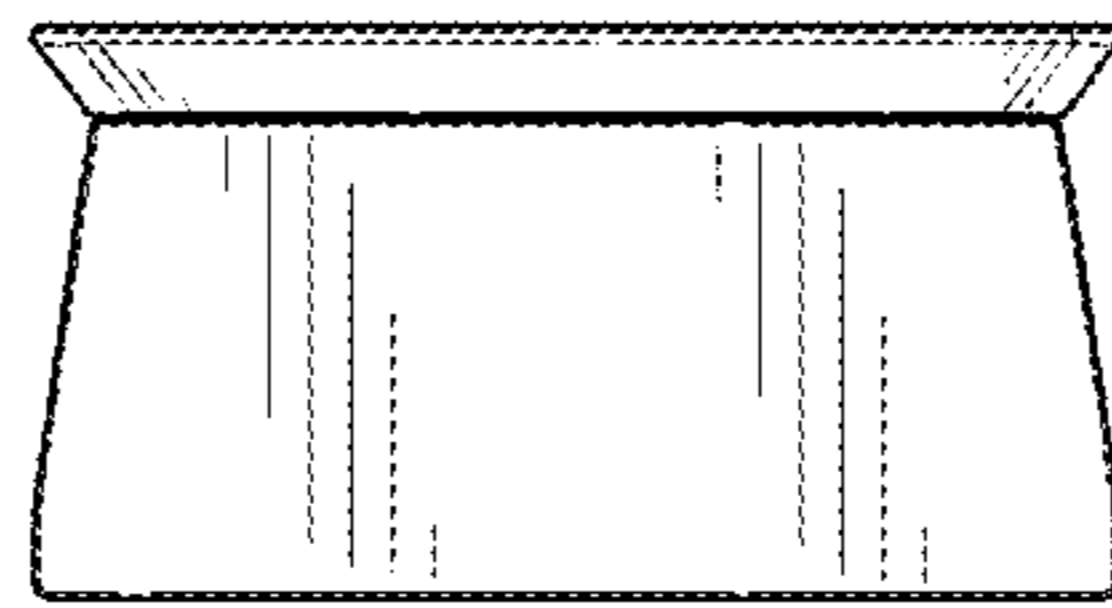


FIG. 5

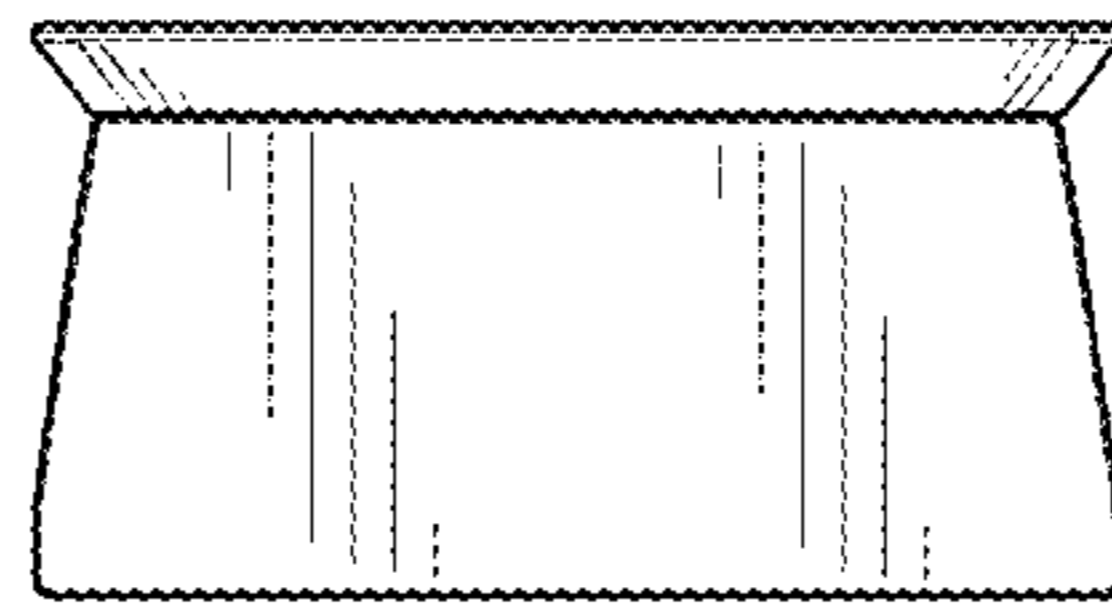


FIG. 6

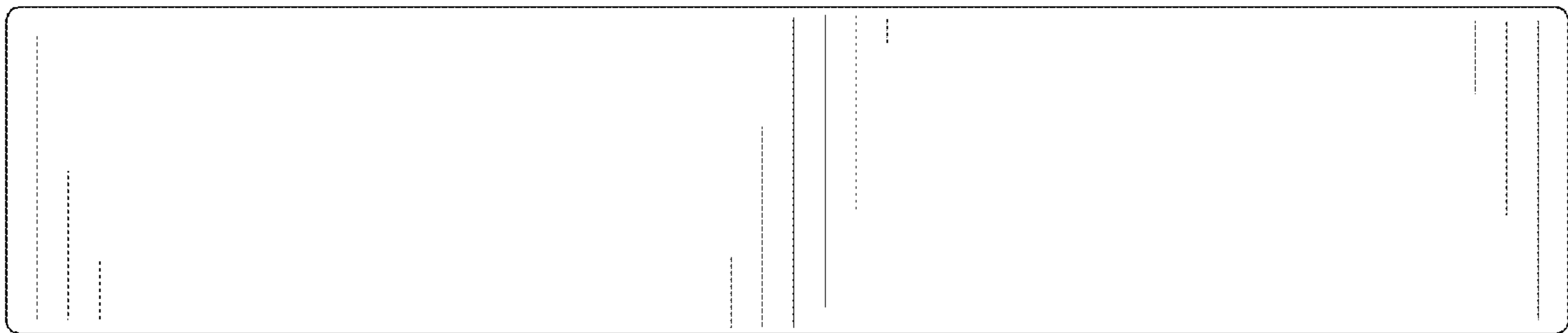


FIG. 7

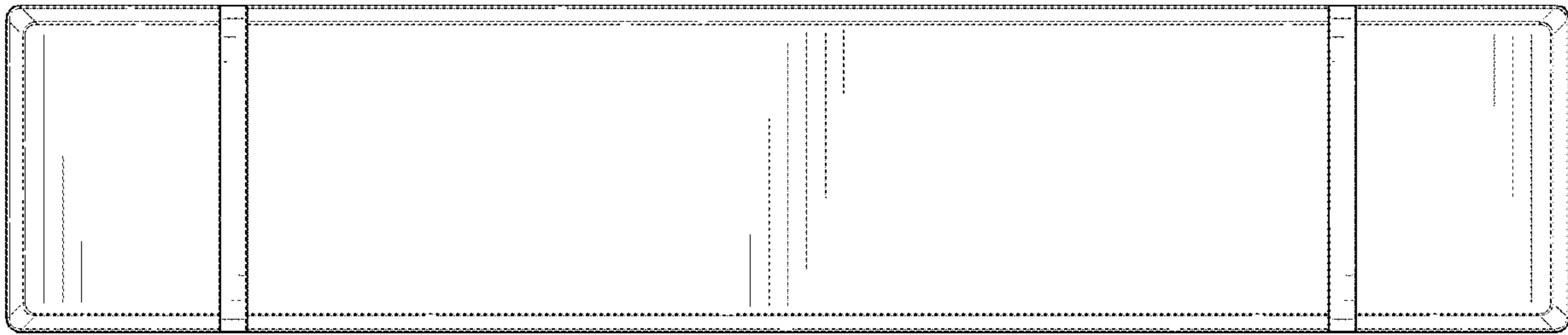


FIG. 8