



US00D884398S

(12) **United States Design Patent** (10) **Patent No.:** **US D884,398 S**
Lai (45) **Date of Patent:** **** May 19, 2020**

(54) **GARMENT LADDER**
(71) Applicant: **MyGift Enterprise, LLC**, Woodinville, WA (US)
(72) Inventor: **Sin Lai**, Woodinville, WA (US)
(**) Term: **15 Years**
(21) Appl. No.: **29/669,648**
(22) Filed: **Nov. 9, 2018**
(51) **LOC (12) Cl.** **20-02**
(52) **U.S. Cl.**
USPC **D6/681.1**
(58) **Field of Classification Search**
USPC D6/672, 675.4, 675.5, 680.3, 681, 681.1, D6/681.2, 681.3, 682, 682.4, 682.5, D6/682.6; D32/58, 59; D25/62, 63, 64
CPC .. A47G 25/06; A47G 25/0685; A47G 25/746; A47B 47/021; A47B 47/027; A47B 55/02; A47B 61/00; A47B 61/02; E06C 1/06
See application file for complete search history.

D487,124 S * 2/2004 Toniolo D21/691
D495,524 S * 9/2004 Harwanko D6/681.1
D537,266 S * 2/2007 Ward D6/681.1
D591,085 S * 4/2009 Burns D6/681.1
D677,932 S * 3/2013 Wang D6/681.1
D714,464 S * 9/2014 Dunlap D25/64
D722,182 S * 2/2015 Green D25/64
D735,412 S * 7/2015 Coleman D28/54
D737,077 S * 8/2015 Cockayne D12/95
D738,431 S * 9/2015 Fiske D21/302
D749,879 S * 2/2016 Wall D6/680.3
D750,401 S * 3/2016 Ruiz D6/681
D753,940 S * 4/2016 Ruiz D6/681
D790,892 S * 7/2017 Chung D6/681
D797,314 S * 9/2017 Presley D25/64
D809,835 S * 2/2018 Greenspon D6/681
D829,473 S * 10/2018 Mical D6/681
D848,187 S * 5/2019 Lee D6/681.1
D850,827 S * 6/2019 Dixon B08B 11/02
D6/681.1
D851,429 S * 6/2019 Greenspon D6/675.4

* cited by examiner

Primary Examiner — Steven J Czyz
(74) Attorney, Agent, or Firm — Dean Craine; Marisa Whitaker

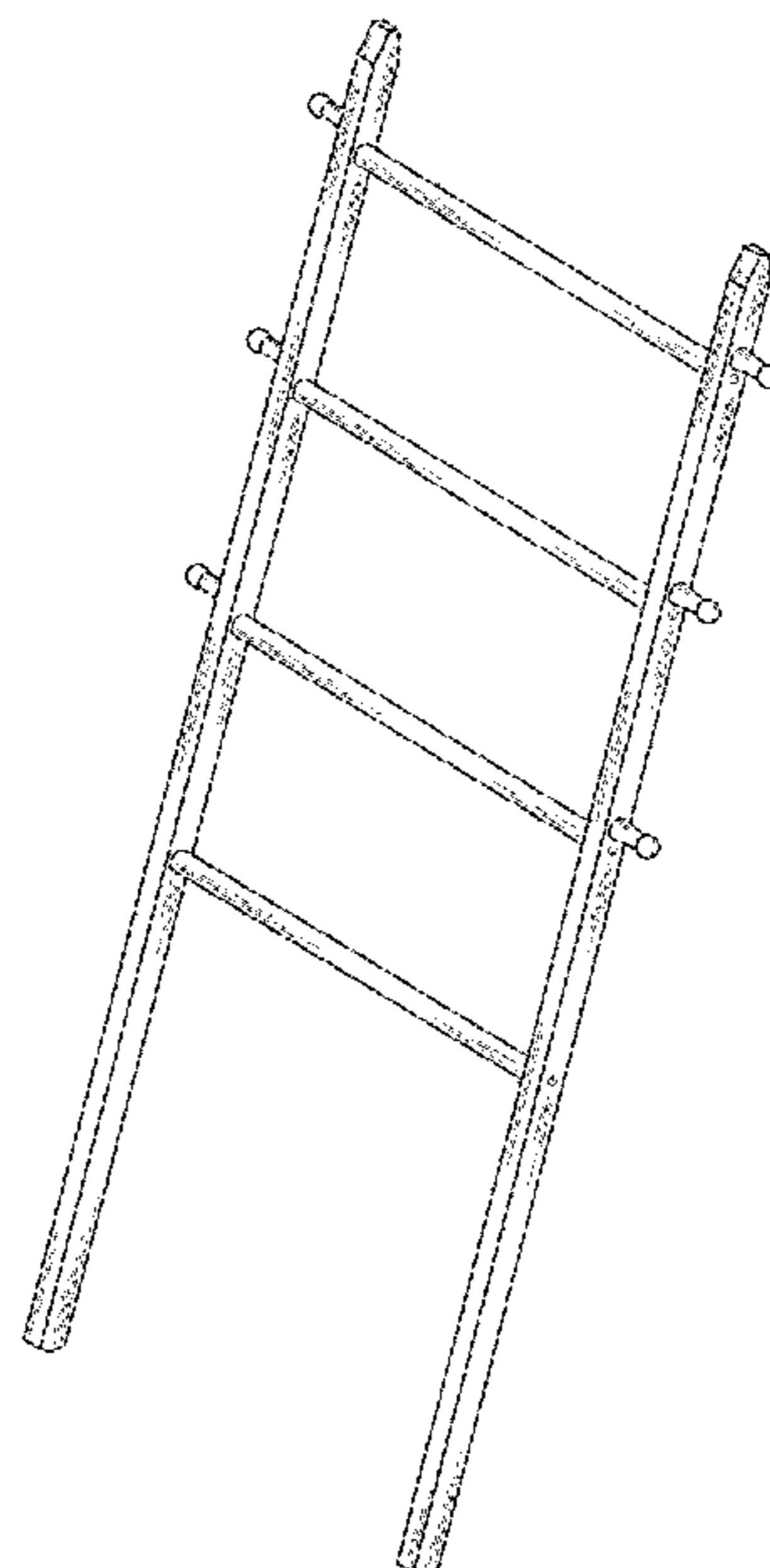
(57) **CLAIM**

The ornamental design a garment ladder, as shown and described.

DESCRIPTION

FIG. 1 is a front perspective view of a garment ladder, showing my new design.
FIG. 2 is a front elevational view of the invention, the rear elevational view being a mirror image thereof.
FIG. 3 is a top plan view of the invention.
FIG. 4 is a bottom plan view of the invention; and,
FIG. 5 is a right side elevational view of the invention, the left side elevational view being and mirror image thereof.

1 Claim, 5 Drawing Sheets



(56) **References Cited**
U.S. PATENT DOCUMENTS
D76,906 S * 11/1928 Victor et al. D6/681.1
D151,272 S * 10/1948 Kipp et al. D6/681.1
D152,688 S * 2/1949 Hammond et al. D6/681.1
D249,615 S * 9/1978 Frisbey D6/675.2
D295,931 S * 5/1988 Bezzerides D6/675.2
D327,379 S * 6/1992 Driscoll D6/681.1
5,335,754 A * 8/1994 Gibson E06C 7/44
182/204
D411,019 S * 6/1999 Curtis D25/62
D451,705 S * 12/2001 Rankin D6/681.1
D462,203 S * 9/2002 Battaglia, Jr. D6/681.1
D470,336 S * 2/2003 Malizia D6/672
D472,746 S * 4/2003 Hall D6/607

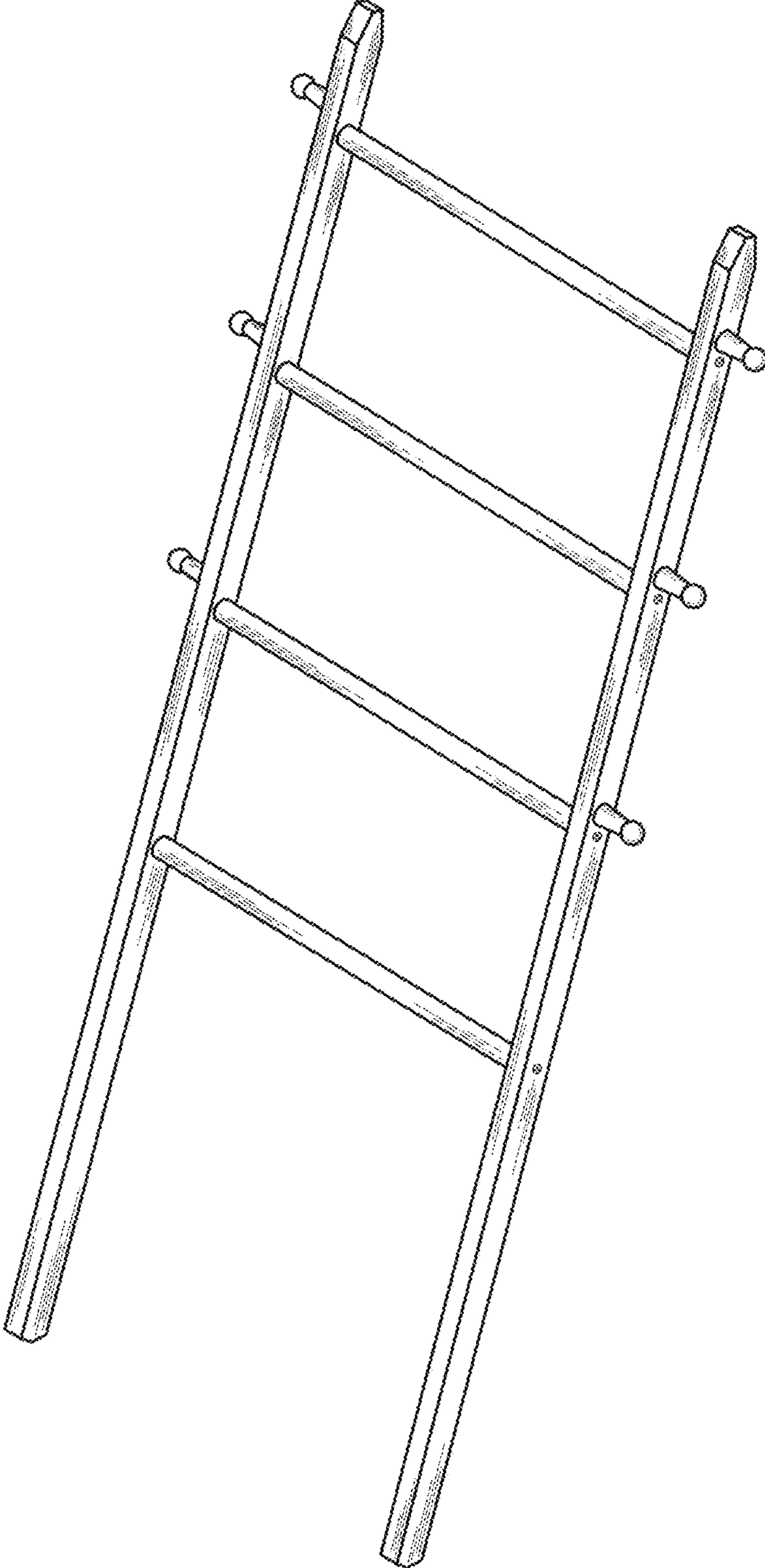


FIG. 1

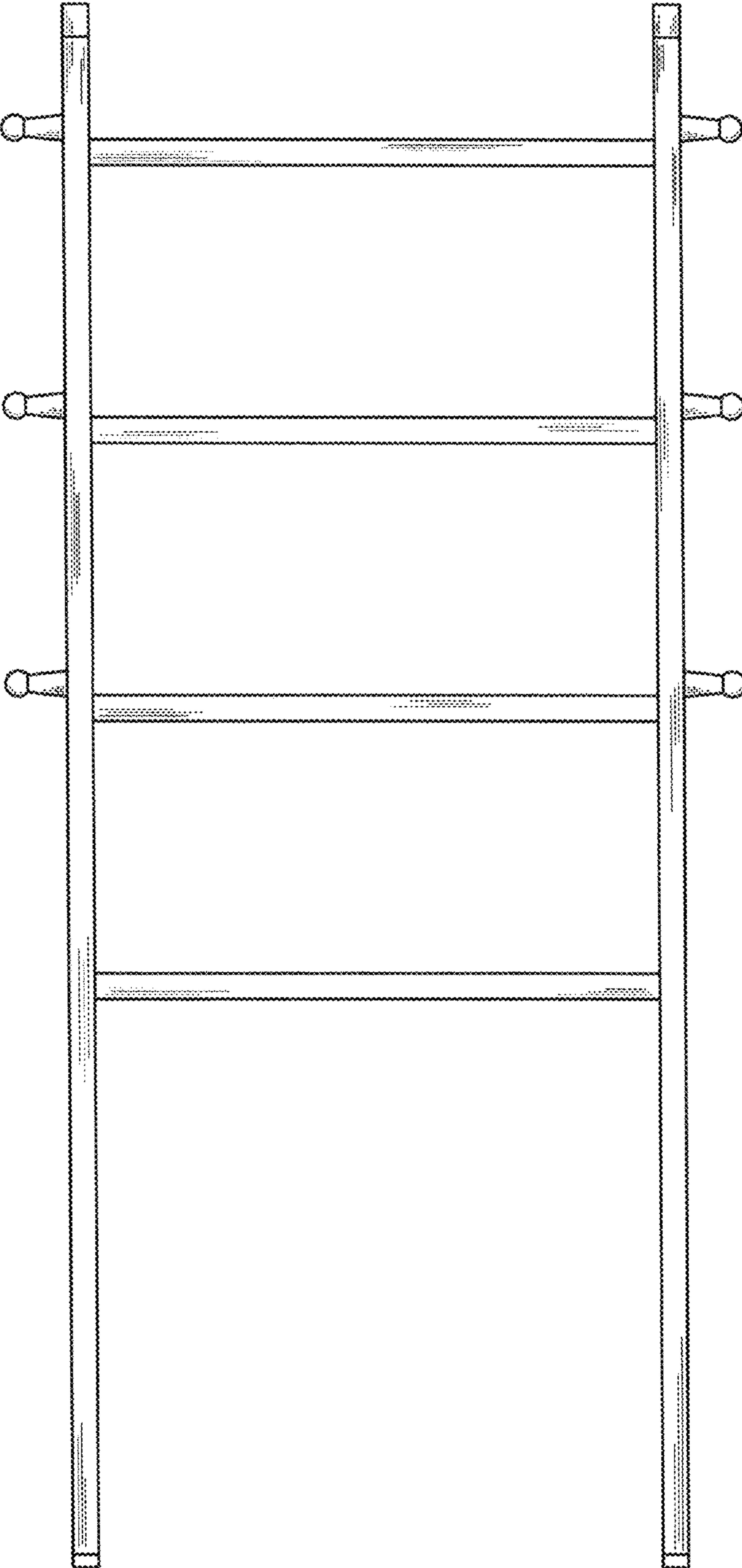


FIG. 2

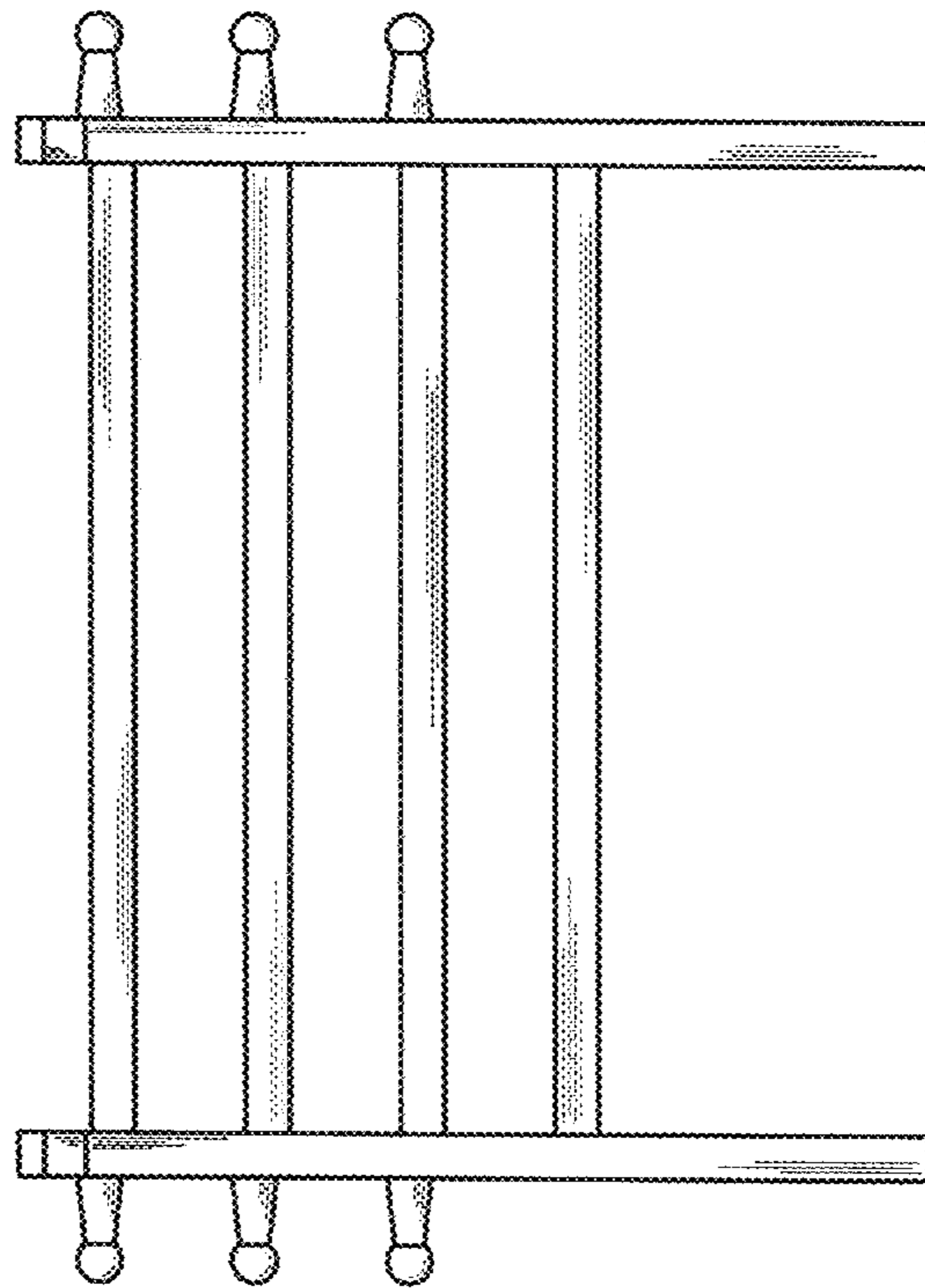


FIG. 3

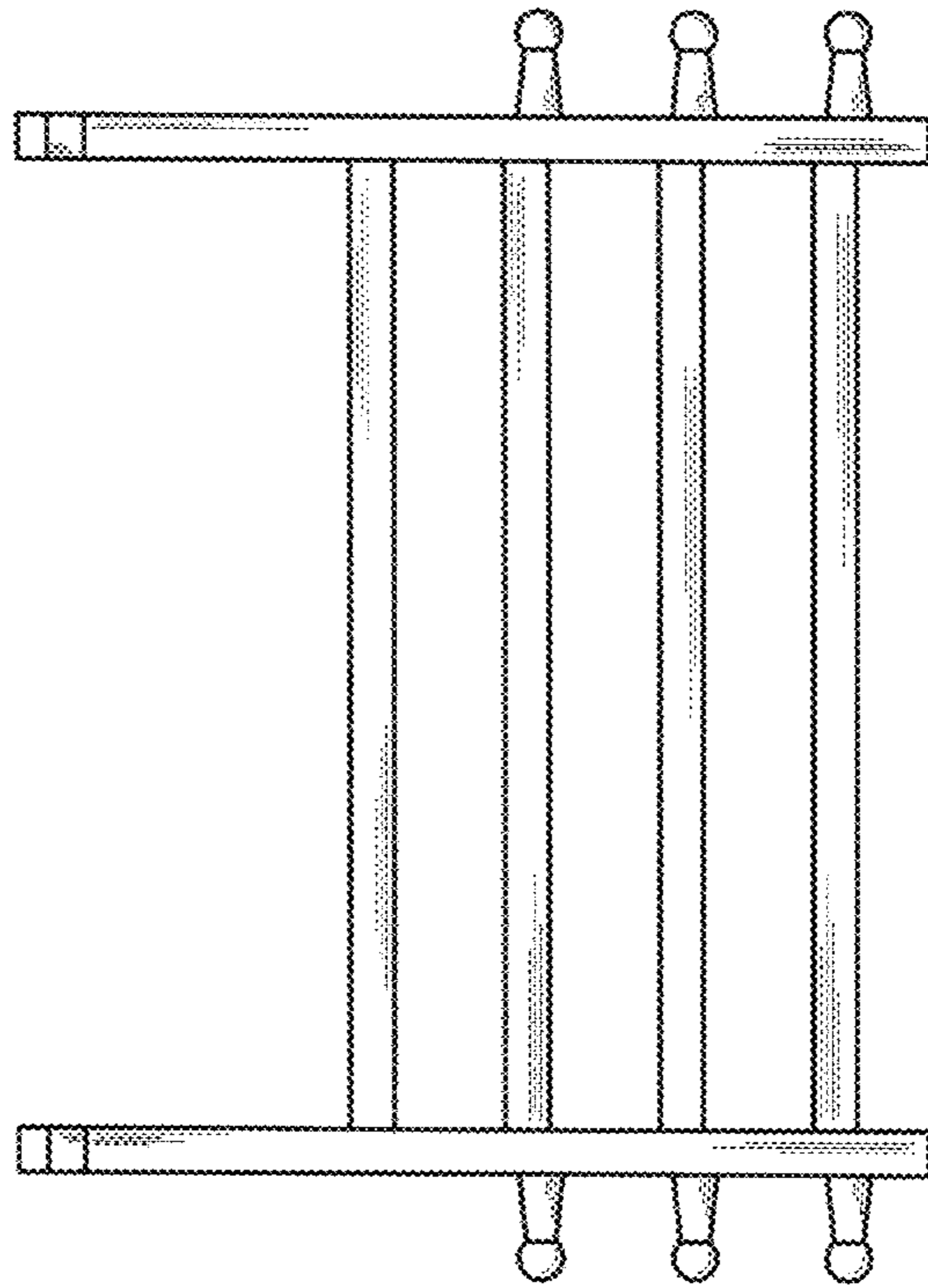


FIG. 4



FIG. 5