



US00D884397S

(12) **United States Design Patent** (10) **Patent No.:** **US D884,397 S**
Stafford et al. (45) **Date of Patent:** **** May 19, 2020**

(54) **DISPLAY UNIT**
(71) Applicant: **Target Brands, Inc.**, Minneapolis, MN (US)
(72) Inventors: **William Y. Stafford**, Minnetrista, MN (US); **Daniel K. McDowell**, Minneapolis, MN (US); **Joseph R. Stukenberg**, Minneapolis, MN (US); **Ian Jindrich**, Rockford, IL (US); **Stanley J. Valiulis**, Rockford, IL (US); **Gabriel Garduno**, Minneapolis, MN (US)
(73) Assignee: **Target Brands, Inc.**, Minneapolis, MN (US)
(**) Term: **15 Years**

4,733,782 A 3/1988 Spezial et al.
4,934,645 A 6/1990 Breslow
5,253,770 A 10/1993 Rosenthal
5,427,255 A 6/1995 Nook
5,573,124 A 11/1996 Frost
5,607,070 A * 3/1997 Hellyer A47F 5/108
211/189
D391,101 S * 2/1998 Robertson D6/708
D391,102 S * 2/1998 Robertson D6/708
5,738,019 A 4/1998 Parker
D394,360 S * 5/1998 Geier D34/21
D394,964 S * 6/1998 Geier D6/680.2
D400,737 S * 11/1998 DePottay D6/682.4
5,918,750 A 7/1999 Jackson
D431,937 S * 10/2000 Heiny D6/675.1
D436,762 S * 1/2001 Heiny D6/675
D439,768 S * 4/2001 Heiny D6/672
6,241,107 B1 6/2001 Boyer
6,659,294 B1 12/2003 Simard
D514,269 S * 1/2006 Polidoros D34/17

(Continued)

Primary Examiner — Kelley A Donnelly
(74) *Attorney, Agent, or Firm* — Leanne Taveggia Farrell; Westman, Champlin & Koehler, P.A.

(21) Appl. No.: **29/669,289**
(22) Filed: **Nov. 7, 2018**
(51) **LOC (12) Cl.** **06-06**
(52) **U.S. Cl.**
USPC **D6/678.1**
(58) **Field of Classification Search**
USPC D6/552, 670, 672, 675, 682.2, 683, 708;
D13/184; D16/215
CPC A47F 1/00; A47F 5/025; A47F 9/00
See application file for complete search history.

(57) **CLAIM**

The ornamental design for a display unit, as shown and described.

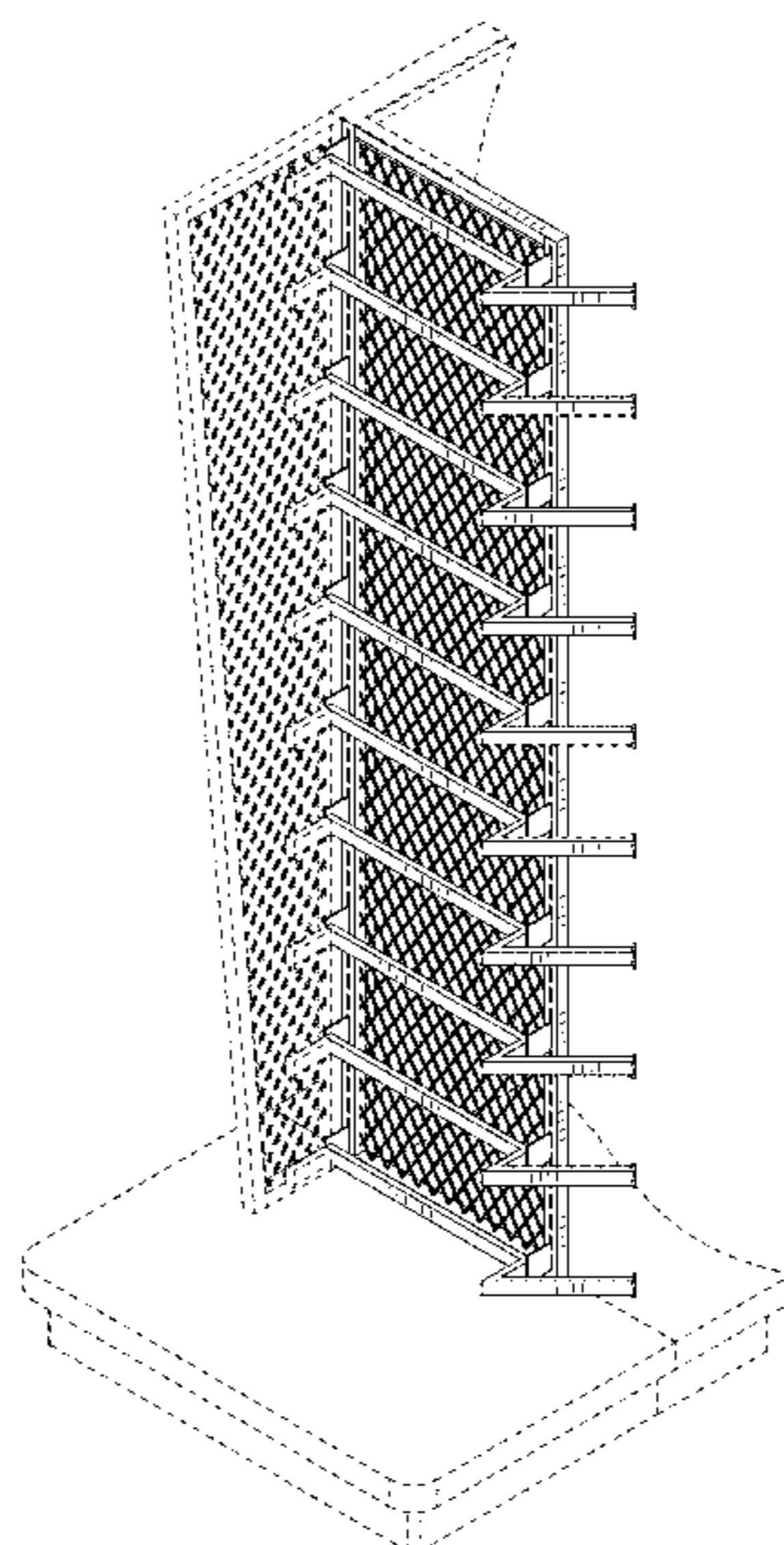
DESCRIPTION

FIG. 1 is a perspective view of a display unit showing our new design;
FIG. 2 is a front view thereof;
FIG. 3 is a right side view thereof;
FIG. 4 is a left side view thereof; and,
FIG. 5 is a top view thereof.
The broken lines shown in the drawings are included for purposes of illustrating portions of the display unit and form no part of the claimed design.

1 Claim, 5 Drawing Sheets

(56) **References Cited**
U.S. PATENT DOCUMENTS

2,710,241 A 6/1955 Lieberman
2,971,805 A 2/1961 Weiss
3,067,882 A 12/1962 Ribbens et al.
3,977,529 A 8/1976 Stroh
4,134,628 A 1/1979 Mann
D272,499 S * 2/1984 Cuminale D6/680
4,429,889 A * 2/1984 Westra B65H 31/00
211/50
D293,865 S * 1/1988 Robertson D6/678.1



(56)

References Cited

U.S. PATENT DOCUMENTS

7,175,034	B2	2/2007	Nook et al.	
7,261,214	B2	8/2007	Wagner et al.	
D565,324	S *	4/2008	Sparkowski	D6/675.2
D573,369	S *	7/2008	Sparkowski	D6/678.3
7,500,574	B1	3/2009	Miller, III et al.	
7,954,656	B1	6/2011	Cuzzocrea	
8,210,368	B2	7/2012	Schwartzkopf et al.	
D751,843	S *	3/2016	Clark	D6/675
9,357,840	B2	6/2016	Davis	
2014/0111073	A1	4/2014	Kunis	
2014/0263128	A1	9/2014	Garrett et al.	

* cited by examiner

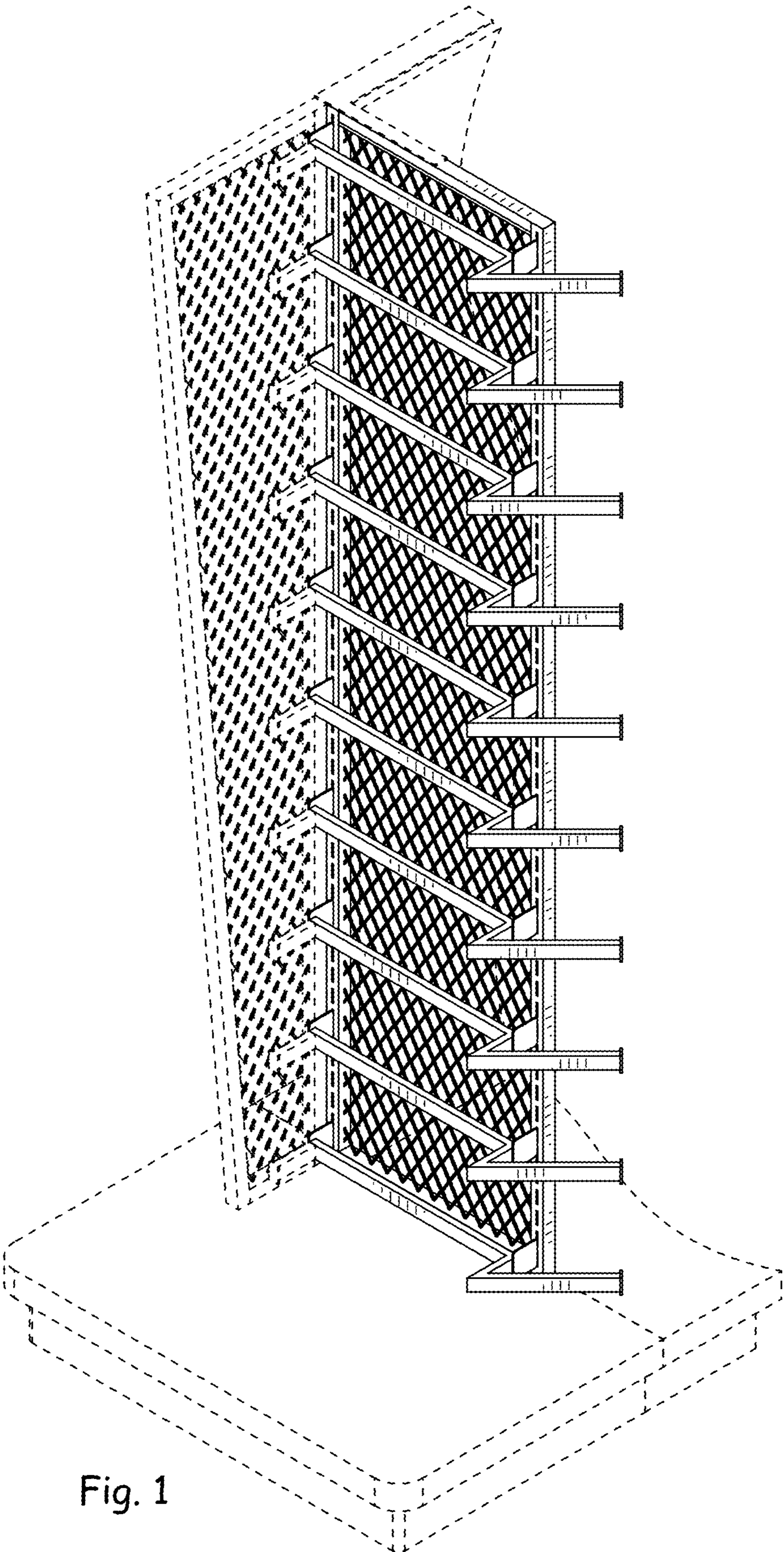


Fig. 1

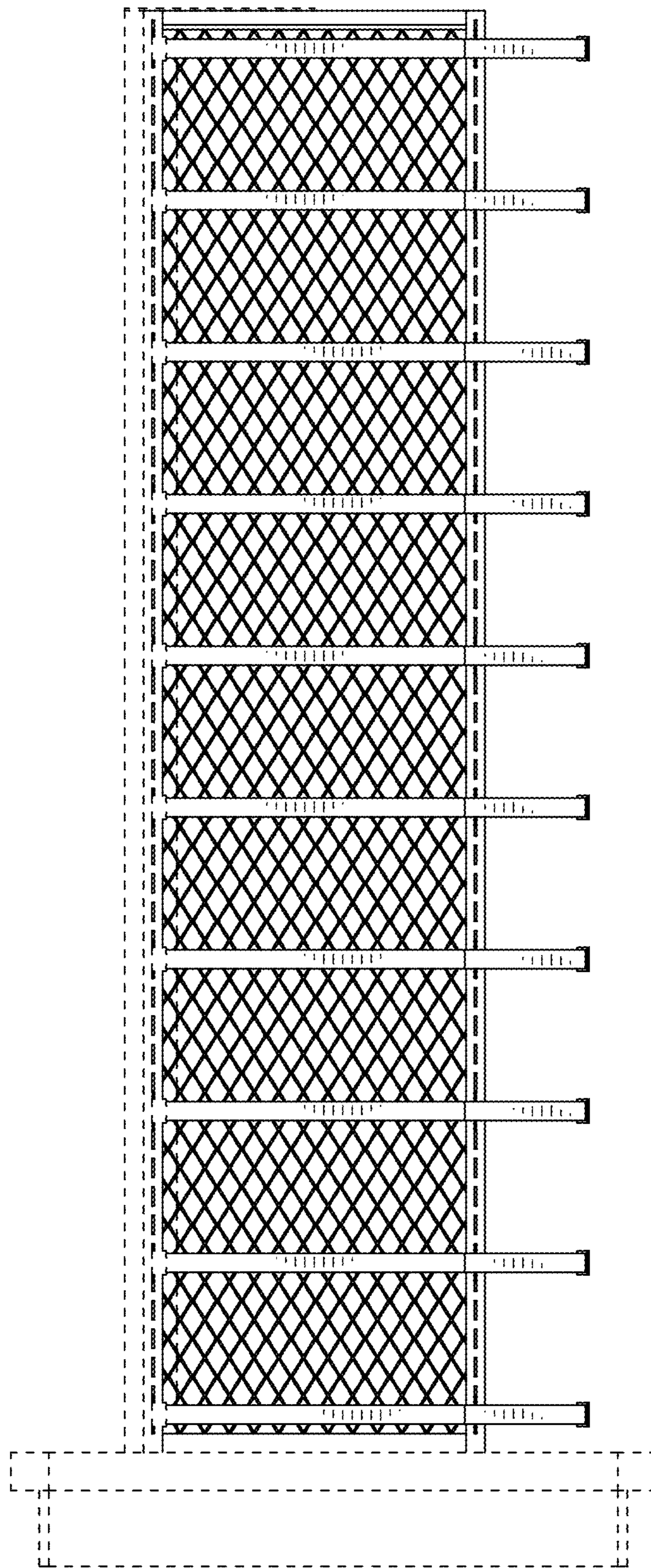


Fig. 2

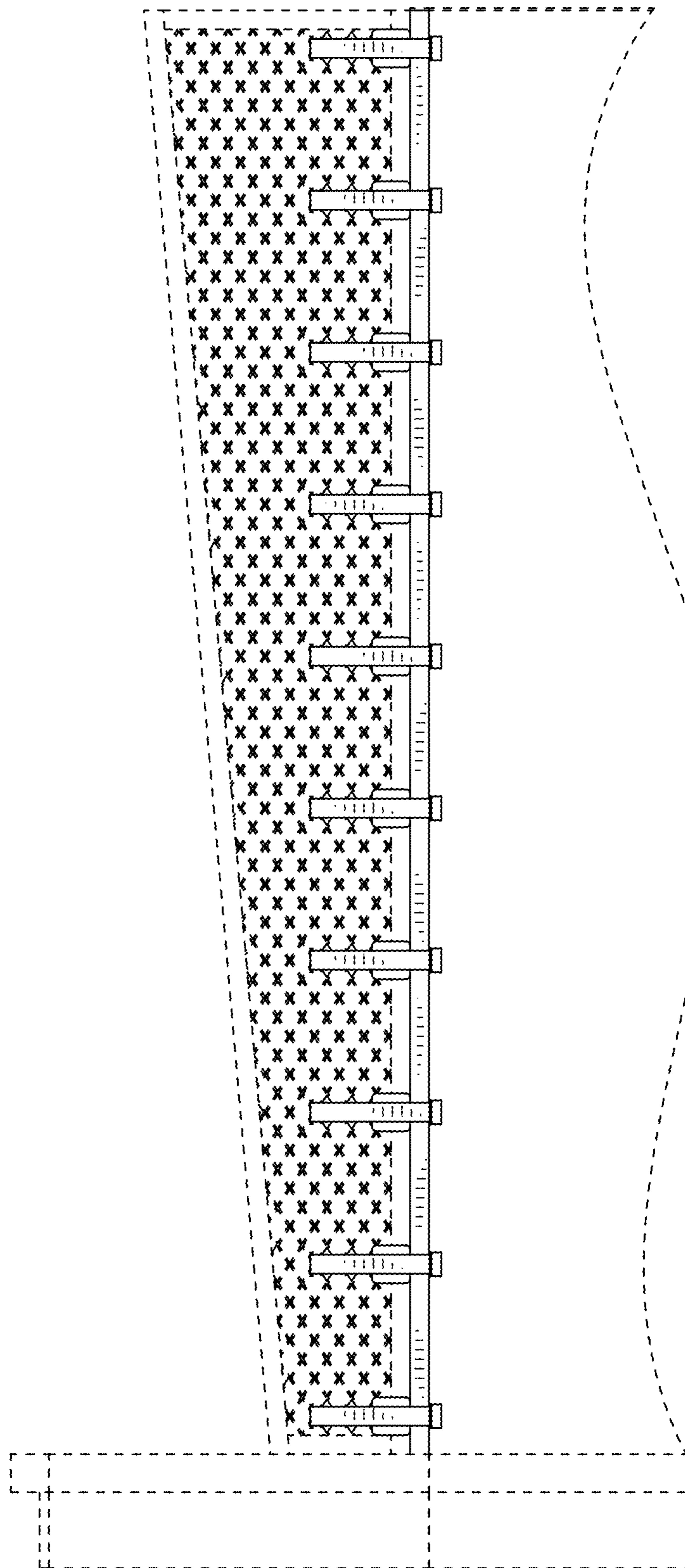


Fig. 3

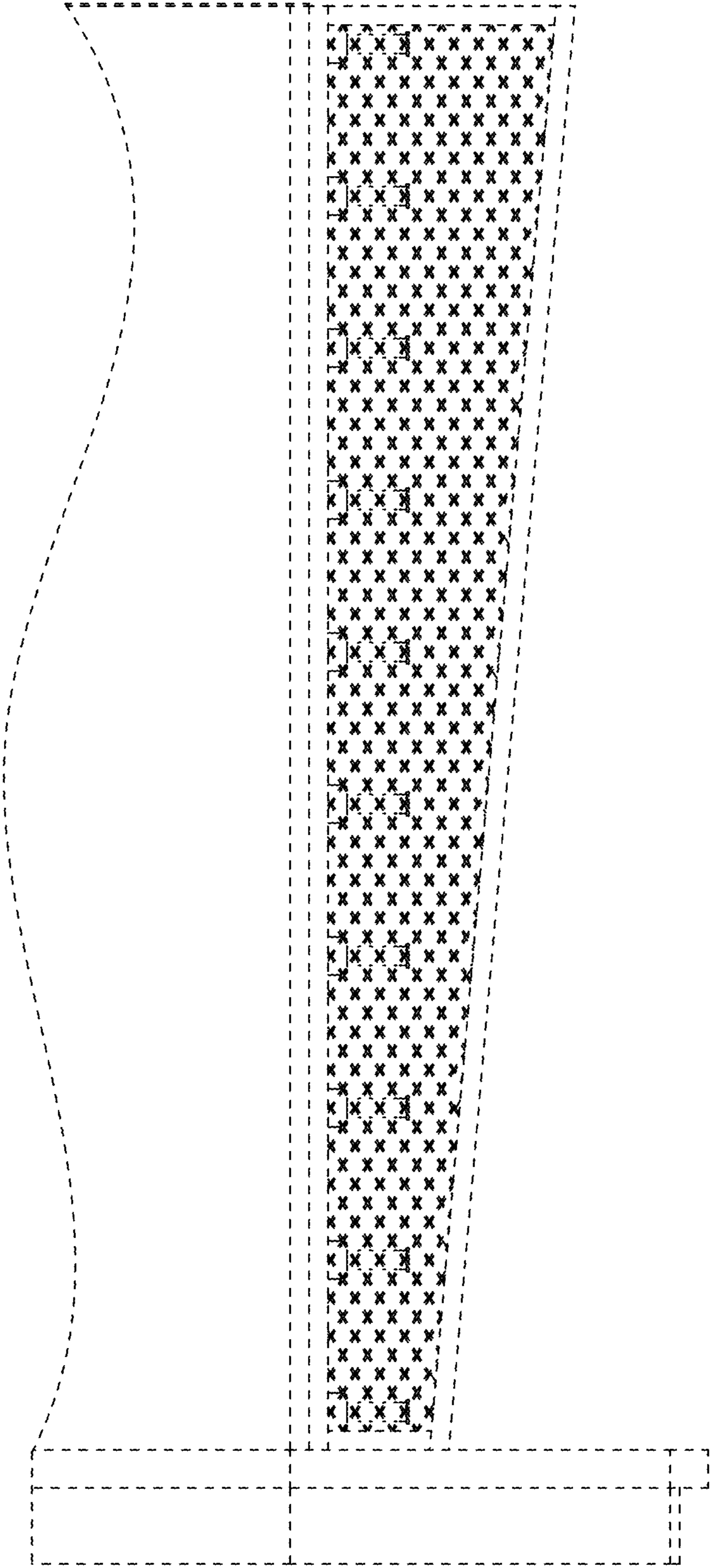


Fig. 4

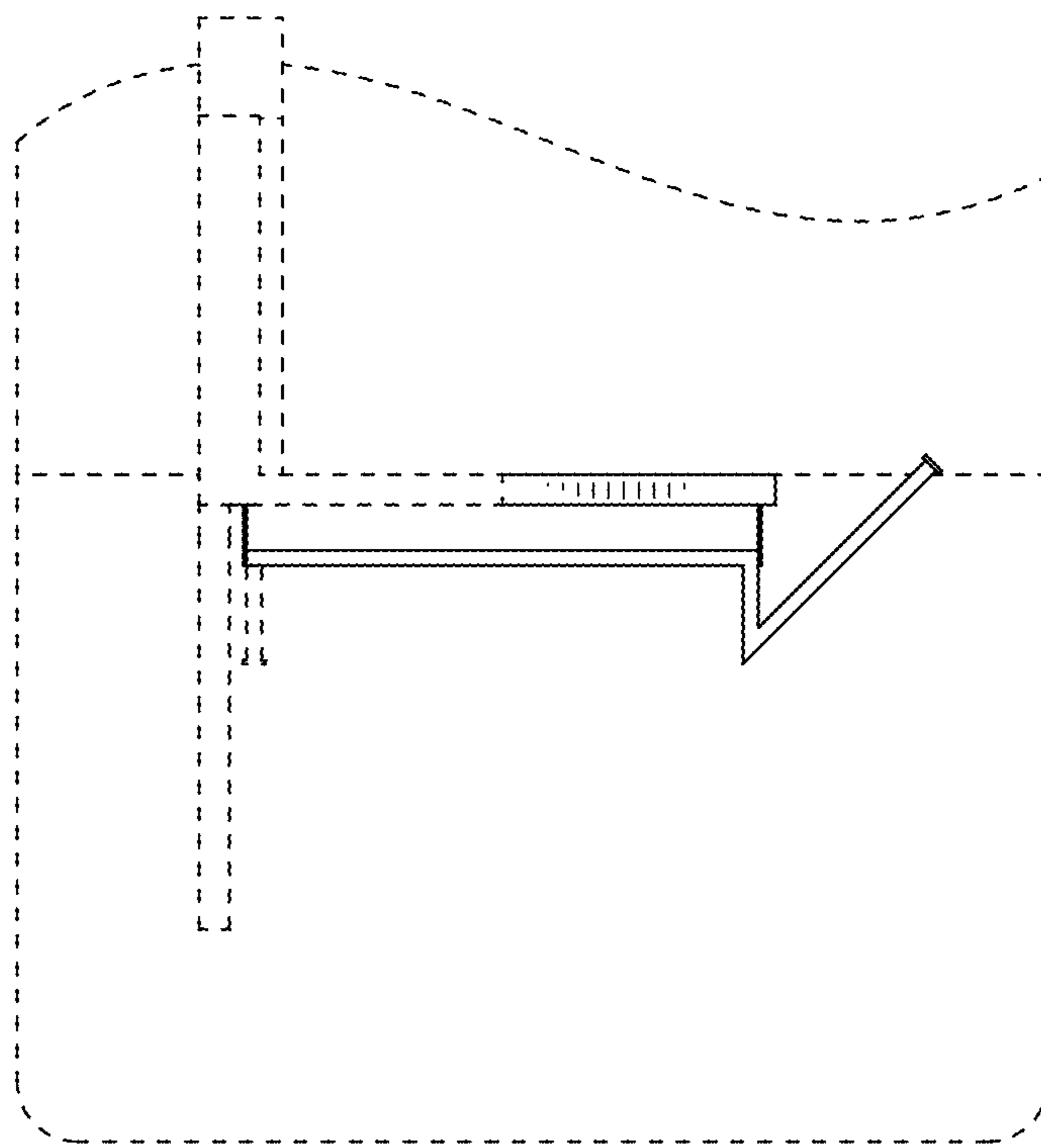


Fig. 5