



US00D884395S

(12) **United States Design Patent** (10) **Patent No.:** **US D884,395 S**
Flora (45) **Date of Patent:** **** *May 19, 2020**

(54) **FOLDING BED FOR SPACE SAVING STORAGE WITHIN A CABINET**

(71) Applicant: **Iqbal Singh Flora**, Abbotsford (CA)

(72) Inventor: **Iqbal Singh Flora**, Abbotsford (CA)

(*) Notice: This patent is subject to a terminal disclaimer.

(**) Term: **15 Years**

(21) Appl. No.: **29/630,628**

(22) Filed: **Dec. 21, 2017**

(30) **Foreign Application Priority Data**

Dec. 19, 2017 (CA) 178713

(51) **LOC (12) Cl.** **06-04**

(52) **U.S. Cl.**
USPC **D6/663**

(58) **Field of Classification Search**

USPC D3/288, 304, 307, 309; D6/334-336,
D6/349, 351, 352, 358, 360, 361, 364,
D6/365, 366, 374, 375, 379, 380,
D6/559-561, 611, 632, 657, 662.1, 663,
D6/666, 668.1, 668.2, 669, 671, 671.1,
D6/672, 674, 675, 675.1, 675.3, 683,
D6/683.1, 685, 691, 691.5, 699, 702, 703,
D6/703.1, 708, 708.2, 708.21, 708.25,
D6/716, 716.1-716.4; D7/306, 333;
D12/402; D13/184; D15/79, 81, 127;
D18/35.1; D20/1, 3, 8; D23/286, 342,
D23/343; D24/227-230; D25/48.4, 113,
D25/163; D99/28
CPC A01K 15/025; A45C 11/16; A45C 13/02;
A47F 7/02; A47F 3/002; A47F 3/043;
A47F 5/08; A47G 1/02; A47G 1/12;
A47G 1/00; A47G 29/12; A47K 3/281;
B01D 3/148; B22F 3/1055; B42F 17/00;
B60N 2/60; B60N 2/2881; B60N 2/6018;
B60N 2/6036; E05B 53/001; E05C 3/042;
E05C 7/04; E05C 19/001; E05F 1/006;

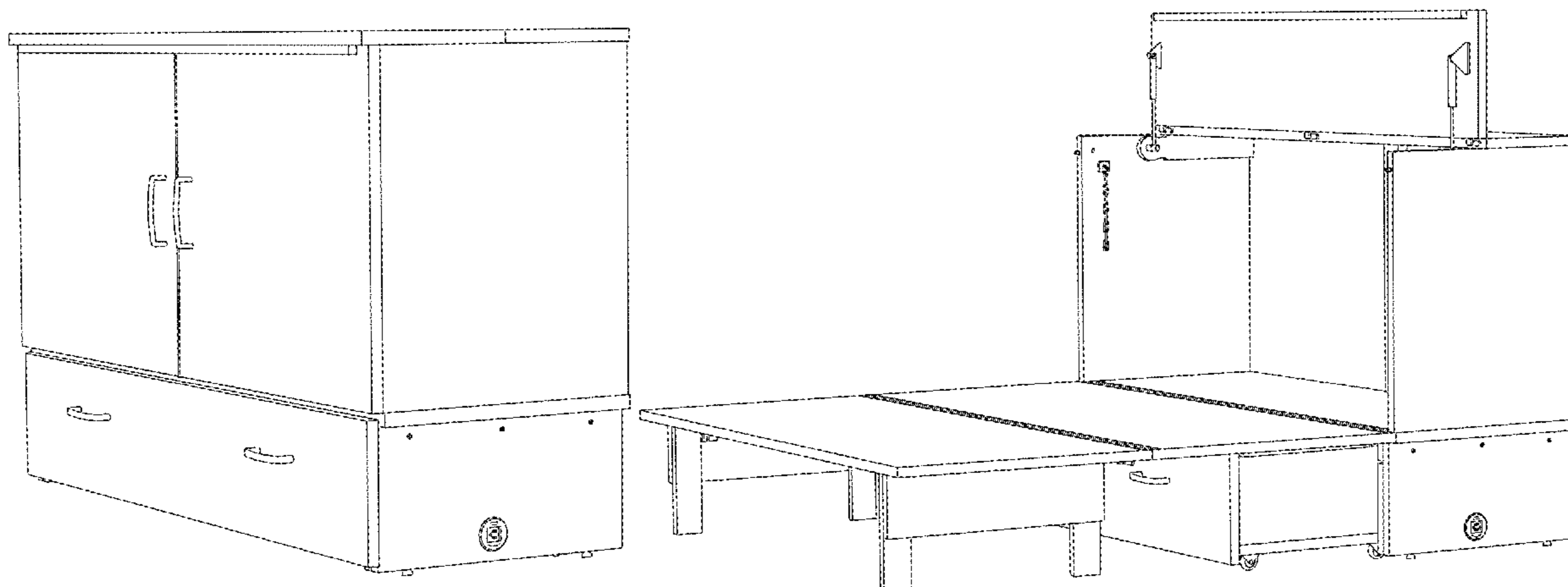
E06B 3/7001; F25D 23/02; F25D
2400/18; G07F 3/06; G07F 9/023; G07F
9/00; G07F 9/10; G07F 11/00; G07F
11/005; G07F 11/16; G07F 11/42; G07F
11/46; G07F 11/58; G07F 13/06; G09B
25/00; G09F 1/12; H02B 1/013; H02B
1/014; H02B 1/308; H05K 9/0062; Y10S
292/21; Y10T 70/5097

See application file for complete search history.

(56) **References Cited**

U.S. PATENT DOCUMENTS

| | | |
|-------------|---------|-----------------|
| 3,792 A | 10/1844 | Kingman |
| 74,494 A | 2/1868 | Burr |
| 83,936 A | 11/1868 | Crosby |
| 85,232 A | 12/1868 | Maynard |
| 102,012 A | 4/1870 | Kelly |
| 107,881 A | 10/1870 | Crosby |
| 119,079 A | 9/1871 | Crosby |
| 155,476 A | 9/1874 | Trevitt |
| 156,986 A | 11/1874 | Crosby |
| 179,013 A | 6/1876 | Green |
| RE8,270 E | 6/1878 | Main |
| 219,342 A | 9/1879 | Boyington |
| 220,173 A | 9/1879 | Rieckert |
| 225,393 A | 3/1880 | Kendrick |
| 230,397 A | 7/1880 | Boyington |
| 239,805 A | 4/1881 | Knapp |
| 253,903 A | 2/1882 | Witmer |
| 261,006 A | 7/1882 | Logan |
| 261,053 A | 7/1882 | Shupe |
| 262,817 A | 8/1882 | Morrison |
| 391,424 A | 10/1888 | Poulson |
| 417,108 A | 12/1889 | Snyder |
| 431,825 A | 7/1890 | Sundback |
| 433,845 A | 8/1890 | Argerbright |
| 445,629 A | 2/1891 | Osgood |
| 476,923 A | 6/1892 | Hayton et al. |
| 504,778 A | 9/1893 | Flory |
| 510,084 A | 12/1893 | Odegaard et al. |
| 547,170 A | 10/1895 | Karp |
| 637,670 A | 11/1899 | Sanor |
| 673,536 A | 5/1901 | Hamilton |
| 756,162 A | 3/1904 | Faschian |
| 791,857 A | 6/1905 | Arnold |
| 915,651 A | 3/1909 | Appel |
| 939,482 A | 11/1909 | Douglass |
| 1,073,674 A | 9/1913 | Giordano |
| 1,087,679 A | 2/1914 | Page |



D45,708 S 5/1914 Giordano
 1,121,636 A 12/1914 Kreczkowski
 1,186,202 A 6/1916 Jasinski
 1,253,872 A 1/1918 Page
 1,331,599 A 2/1920 Vohralik
 1,338,741 A 5/1920 Lipshitz
 1,359,337 A * 11/1920 Culbertson A47C 17/46
 5/131
 1,368,101 A 2/1921 Bettegar
 1,409,770 A 3/1922 Piatkowski
 1,413,595 A 4/1922 Kreuzkamp
 1,558,012 A 10/1925 Henry
 1,618,642 A 2/1927 Diamond
 1,795,697 A 3/1931 Abela
 D87,772 S * 9/1932 Wolters D99/28
 D100,204 S * 6/1936 Coordes D23/286
 D100,205 S * 6/1936 Coordes D23/286
 D109,999 S * 6/1938 Frasher D23/342
 D114,444 S * 4/1939 Fay D6/671.1
 D120,337 S * 5/1940 Culbertson D99/28
 2,313,847 A 3/1943 Thomas
 2,356,321 A 8/1944 Irick
 2,462,524 A 2/1949 Mattedi
 D159,608 S 8/1950 Godschalk
 2,547,863 A 4/1951 Godschalk
 2,618,789 A 11/1952 Kane
 2,671,230 A * 3/1954 Potter A47B 85/08
 5/141
 2,788,528 A * 4/1957 Hansen A47C 17/48
 5/149
 2,835,904 A 5/1958 Von Ehr
 2,856,612 A 10/1958 Wheeler
 3,097,369 A 7/1963 Emch
 3,224,015 A 12/1965 Schneider
 D206,033 S * 10/1966 Koch D99/28
 3,317,261 A * 5/1967 Peterson A47B 95/002
 312/242
 3,638,249 A 2/1972 Katsigarakis
 3,755,832 A 9/1973 Bennett
 3,828,375 A 8/1974 Driver
 3,852,837 A 12/1974 Eakins
 3,858,253 A 1/1975 Lauzon
 3,863,281 A * 2/1975 Tosic A47C 17/52
 5/136
 3,965,498 A 6/1976 Boni
 4,090,755 A 5/1978 Johnson
 D280,156 S 8/1985 Allen
 D285,743 S * 9/1986 Richwine D3/903
 4,694,518 A * 9/1987 Lukich A47C 17/52
 312/237
 D293,403 S * 12/1987 Umanoff D6/555
 4,793,011 A 12/1988 Eve
 4,901,382 A * 2/1990 Spitz A47C 17/40
 5/136
 D306,669 S 3/1990 Otema
 4,999,865 A 3/1991 Sauder et al.
 5,353,452 A 10/1994 Rulis
 5,446,932 A 9/1995 Voorhis
 D369,247 S 4/1996 Anderson
 5,601,348 A 2/1997 Minkovski
 5,611,414 A 3/1997 Walker
 D388,632 S 1/1998 Kelley
 5,913,769 A 6/1999 Byma et al.
 6,224,176 B1 5/2001 Suzuki
 D443,997 S 6/2001 Stout
 6,425,151 B2 7/2002 Barnett
 D470,335 S 2/2003 Brooks
 6,851,139 B2 2/2005 Arason et al.
 D508,796 S 8/2005 Juneau
 7,013,506 B2 3/2006 Revels
 7,044,178 B1 5/2006 Campbell
 D530,938 S 10/2006 Netto et al.
 D543,724 S 6/2007 Baade
 D543,725 S 6/2007 Baade
 D549,501 S 8/2007 Gaska
 7,425,045 B2 9/2008 Harari et al.
 7,574,758 B2 8/2009 Arason et al.
 D599,136 S * 9/2009 Jeup D6/671.1
 D608,560 S 1/2010 Chen

7,793,366 B2 9/2010 Stoltzfus
 8,407,830 B1 4/2013 Kumar
 8,566,980 B2 10/2013 Grone
 8,572,776 B2 11/2013 Grubb
 D712,676 S 9/2014 Flora
 D712,686 S 9/2014 Day
 D731,037 S 6/2015 Ouyang
 D742,136 S 11/2015 Flora
 D760,518 S 7/2016 Shah
 D763,604 S 8/2016 Weatherly
 9,468,305 B2 10/2016 Flora
 D814,122 S * 3/2018 Chan D30/118
 D814,830 S * 4/2018 Flora D6/664
 9,993,088 B2 * 6/2018 Porter A47C 19/12
 2004/0017135 A1 1/2004 Roberts
 2005/0055770 A1 * 3/2005 Reppas A47C 17/40
 5/136
 2006/0107456 A1 5/2006 Joseph
 2006/0230530 A1 10/2006 Avishay
 2016/0022048 A1 * 1/2016 Flora A47C 17/58
 5/149

FOREIGN PATENT DOCUMENTS

CN 87208349 W 5/1987

OTHER PUBLICATIONS

“Cabinet Bed” Sep. 25, 2010, kalokofurniture.com, site visited Nov. 7, 2017 <<http://www.kalokofurniture.com/furniture/byhierarchy/4/18.html>> (Year: 2010).

* cited by examiner

Primary Examiner — Kevin K Rudzinski
 Assistant Examiner — Paul D Bohannon
 (74) Attorney, Agent, or Firm — Cameron IP

(57) CLAIM

The ornamental design for a folding bed for space saving storage within a cabinet, as shown and described.

DESCRIPTION

FIG. 1 is a right, front perspective view of the design in a closed position;
 FIG. 2 is a front elevation view of the design in the closed position;
 FIG. 3 is a left side elevation view of the design in the closed position;
 FIG. 4 is a rear elevation view of the design in the closed position;
 FIG. 5 is a top plan view of the design in the closed position;
 FIG. 6 is a bottom plan view of the design in the closed position;
 FIG. 7 is a top, right, front perspective view of the design in a first partially open position;
 FIG. 8 is a top, right, front perspective view of the design in a second partially open position;
 FIG. 9 is a top, right, front perspective view of the design in a third partially open position;
 FIG. 10 is a top, right, front perspective view of the design in a fourth partially open position;
 FIG. 11 is a top, right, front perspective view of the design in a fifth partially open position;
 FIG. 12 is a top, right, front perspective view of the design in a sixth partially open position;
 FIG. 13 is a top, right, front perspective view of the design in a fully open position;

FIG. **14** is a front elevation view of the design in the fully open position;

FIG. **15** is a right side elevation view of the design in the fully open position;

FIG. **16** is a rear elevation view of the design in the fully open position;

FIG. **17** is a top plan view of the design in the fully open position; and,

FIG. **18** is a bottom plan view of the design in the fully open position.

1 Claim, 9 Drawing Sheets

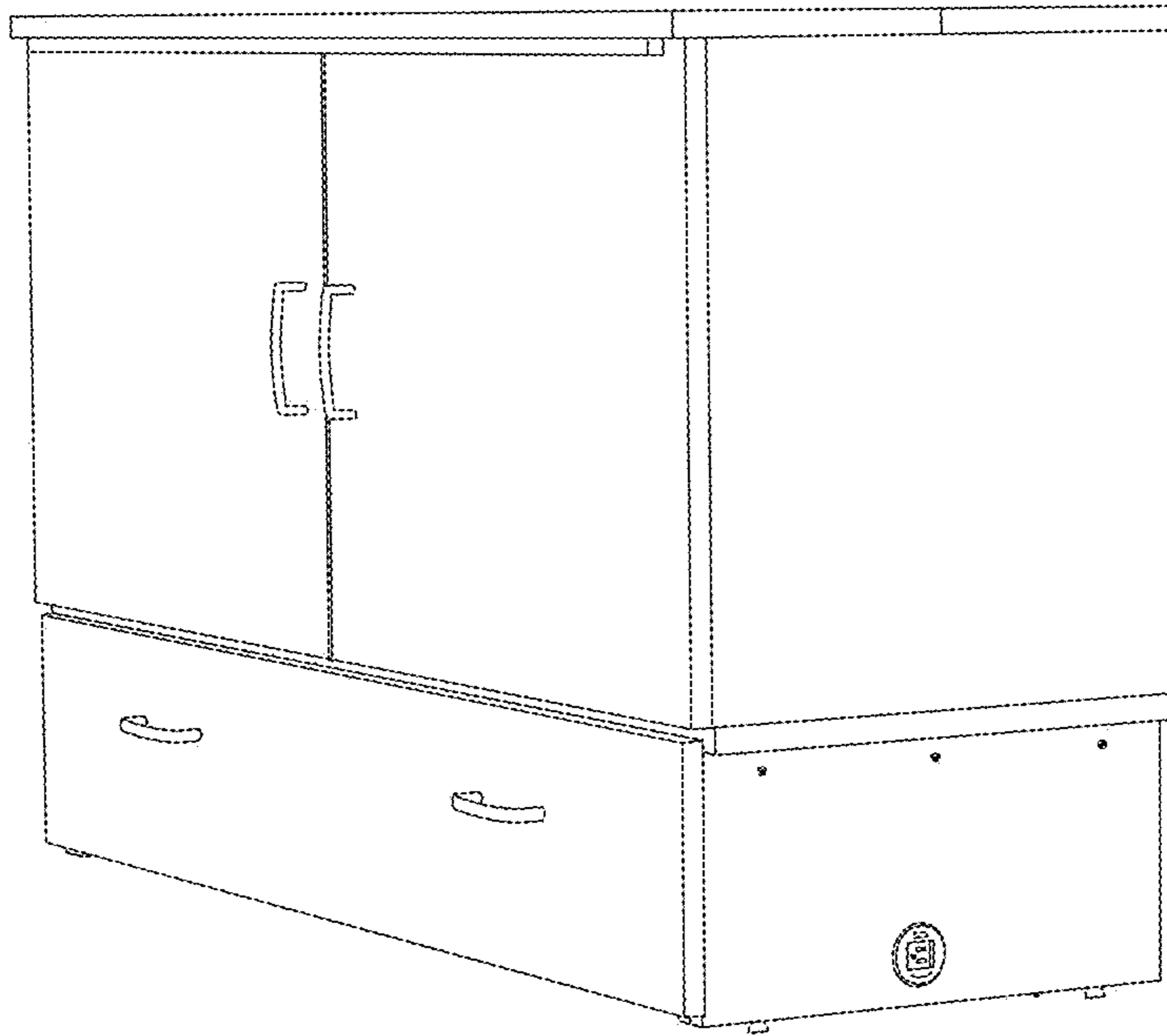


FIG. 1

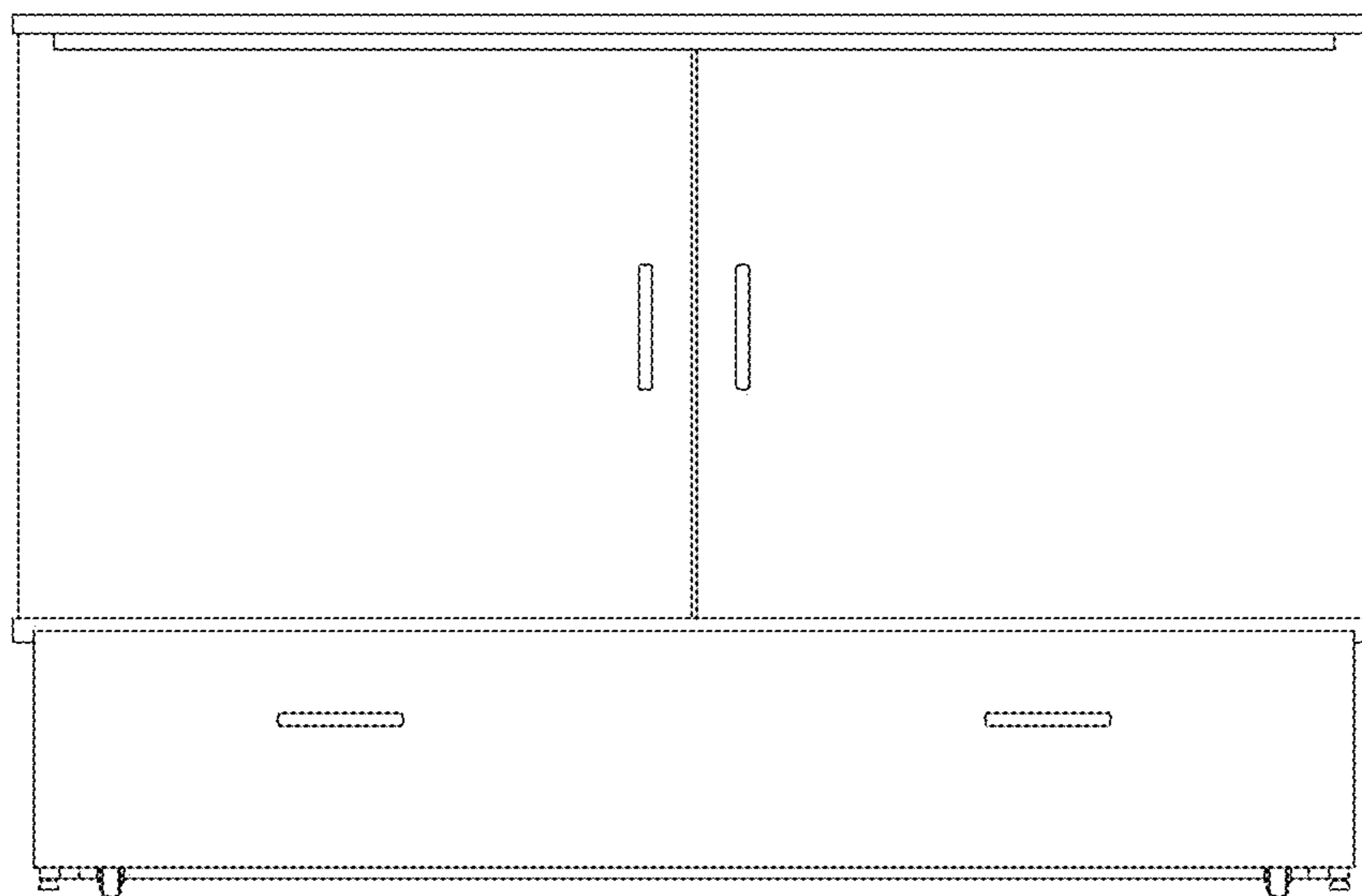


FIG. 2

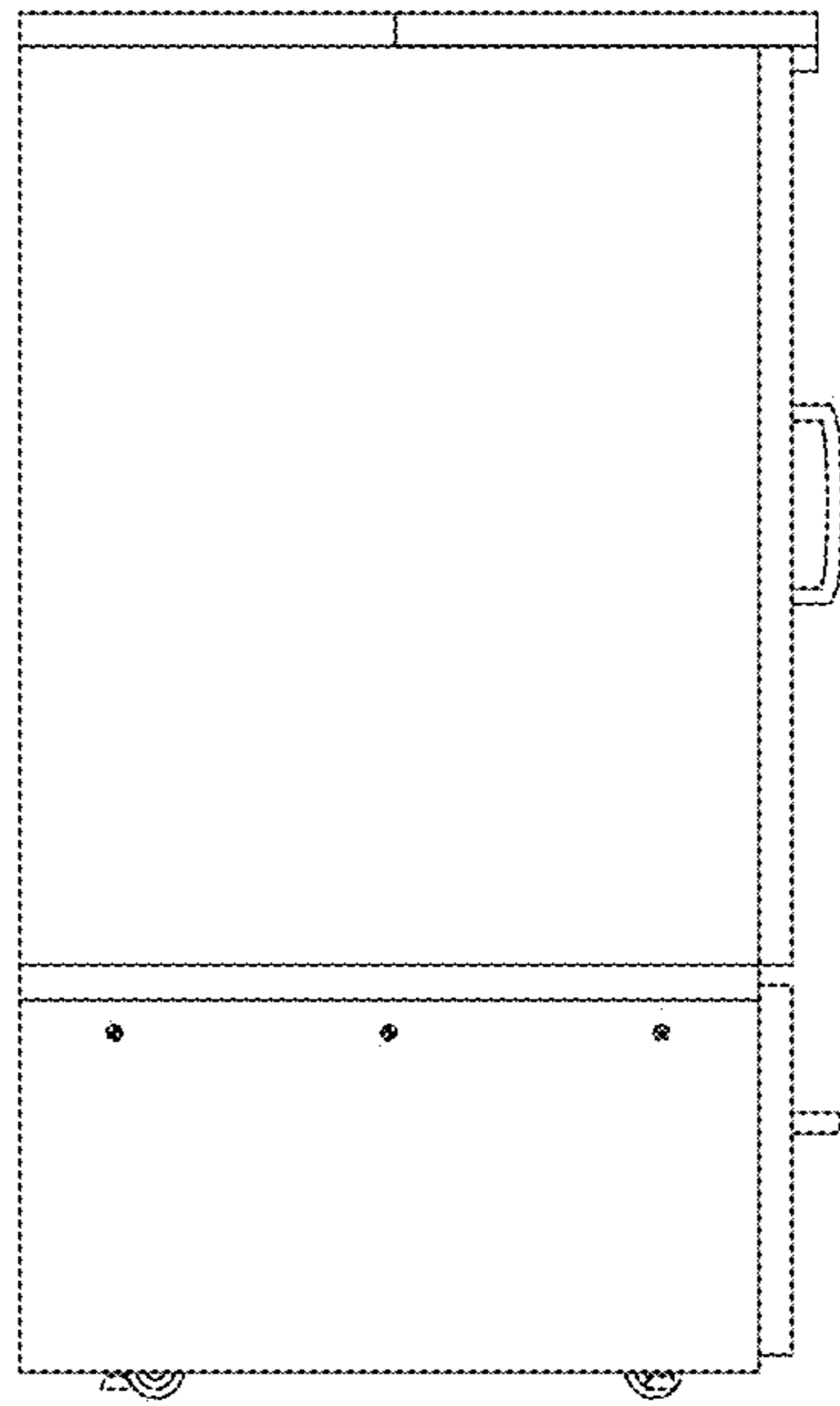


FIG. 3

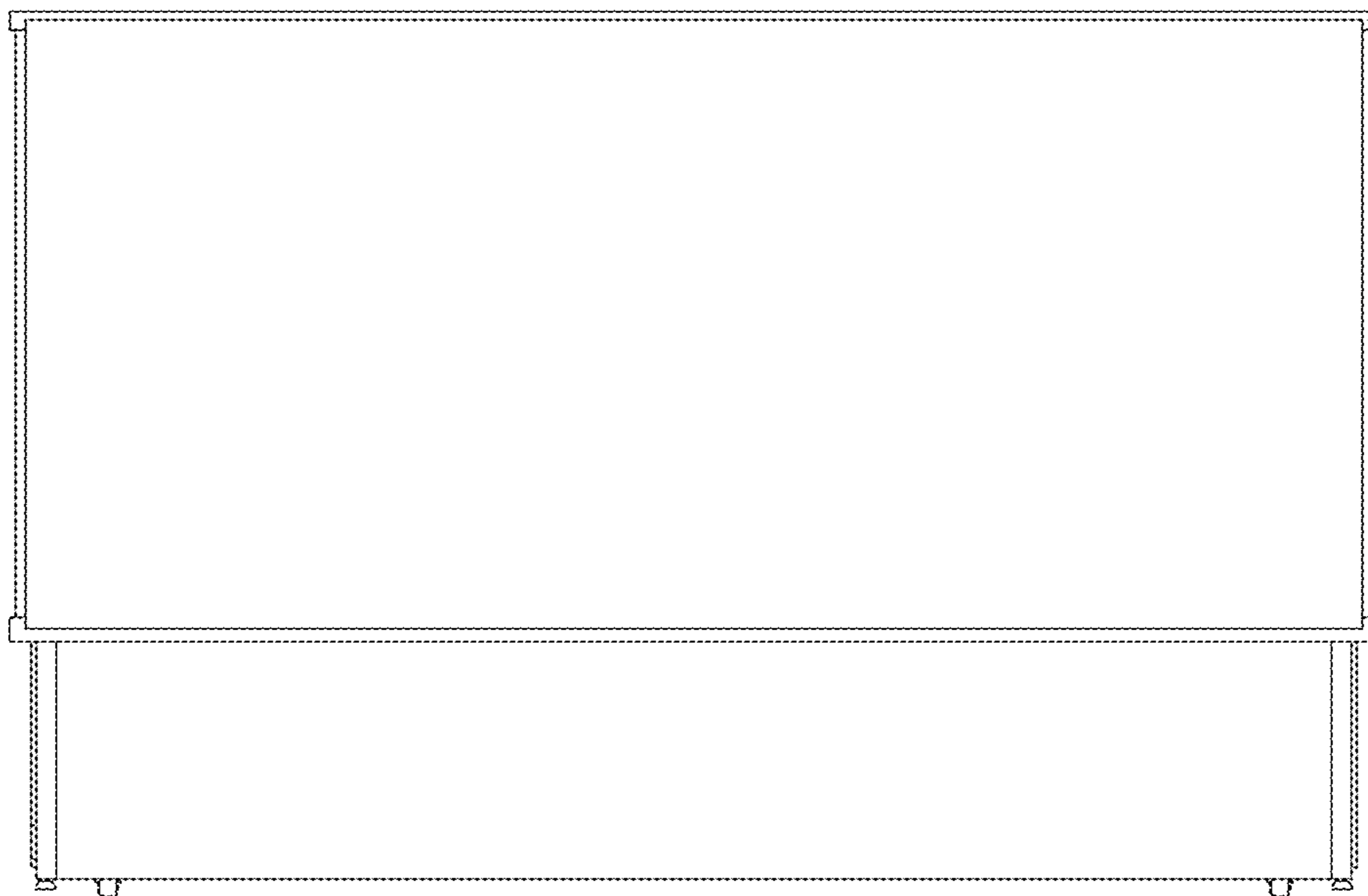


FIG. 4

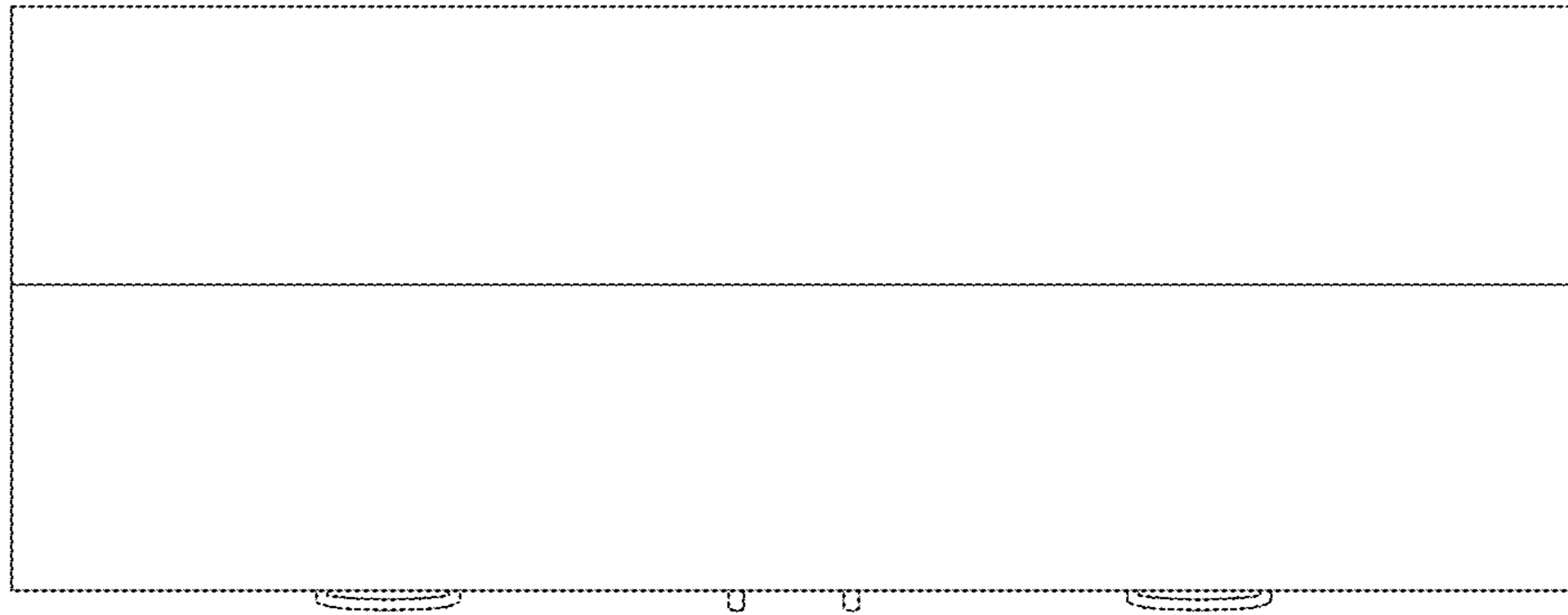


FIG. 5

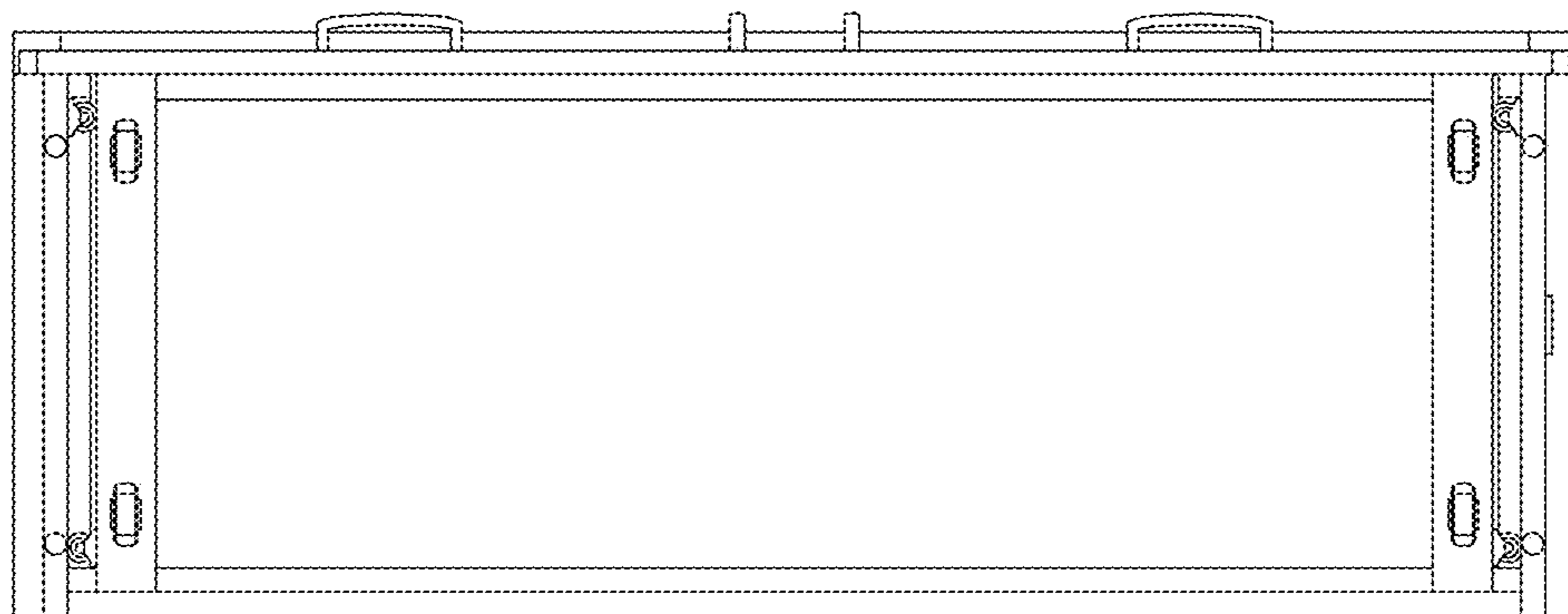


FIG. 6

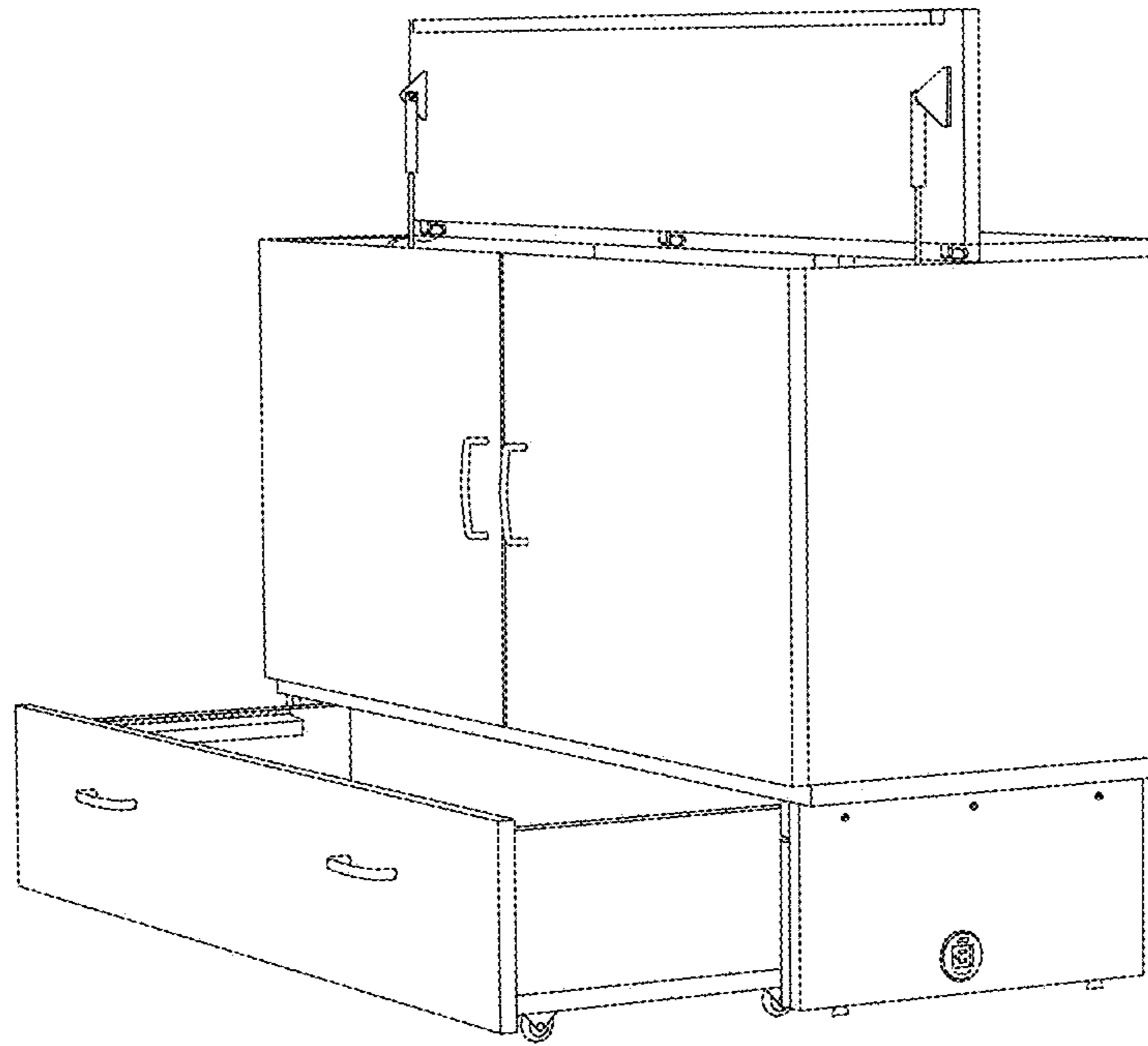


FIG. 7

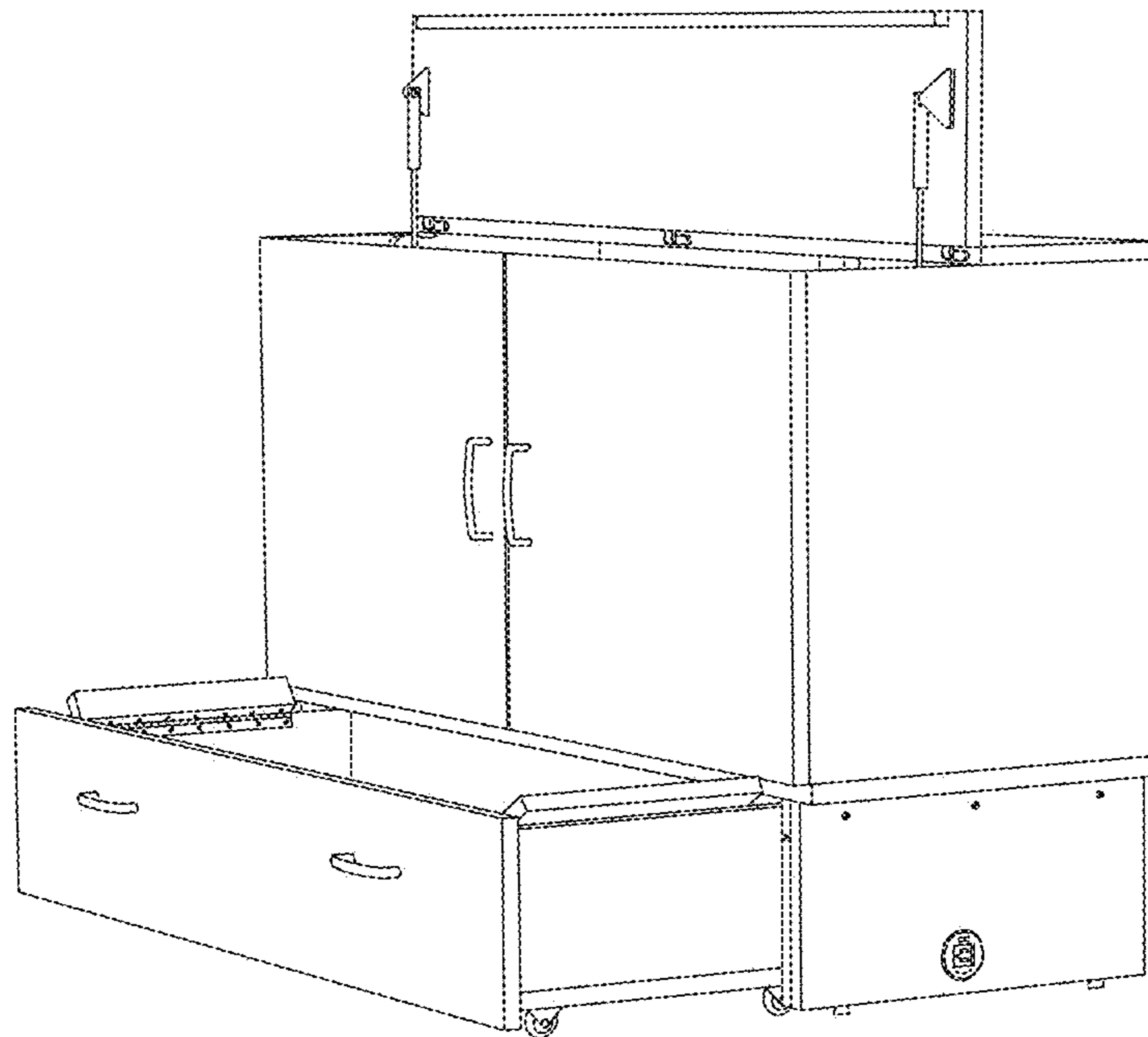


FIG. 8

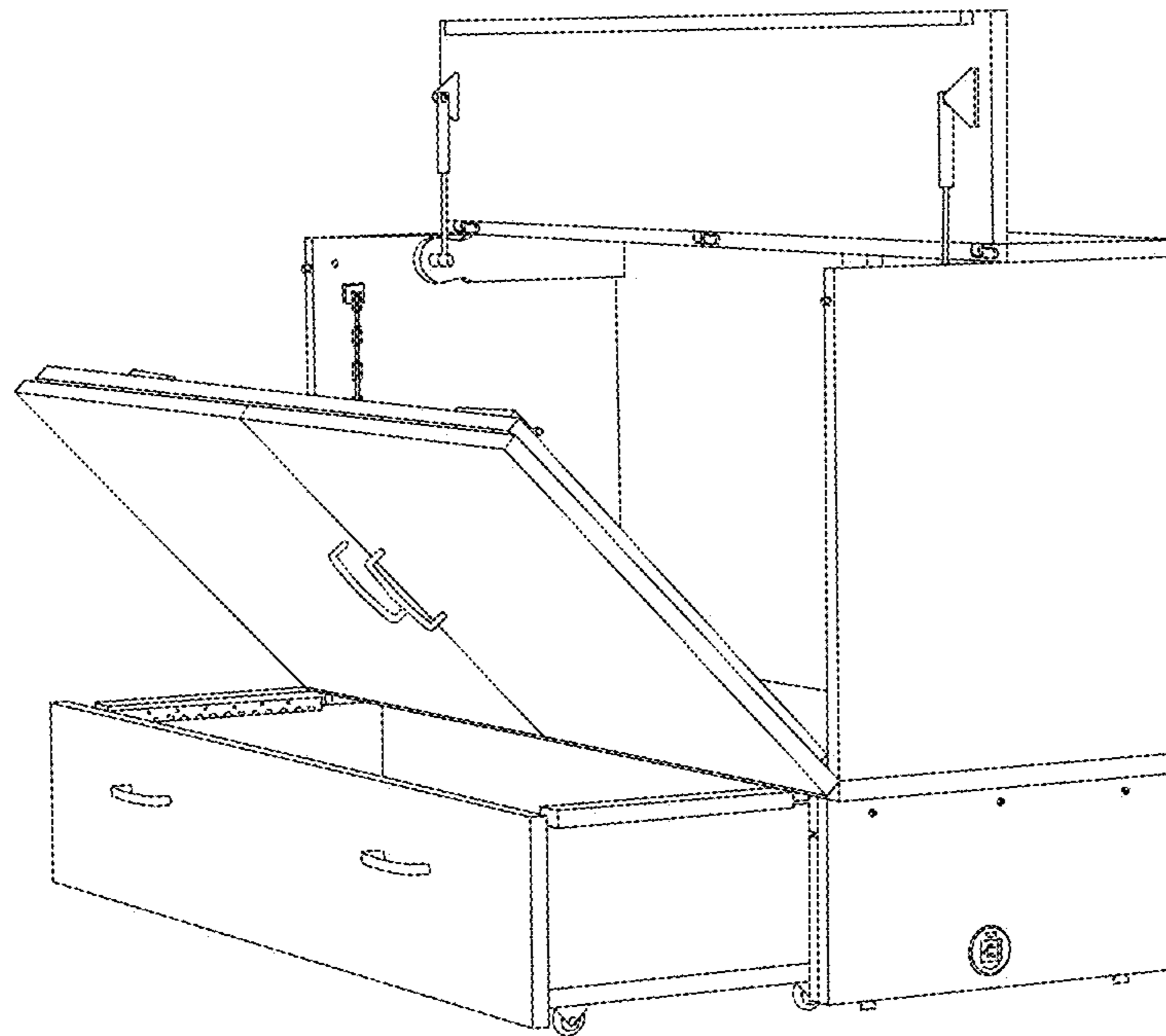


FIG. 9

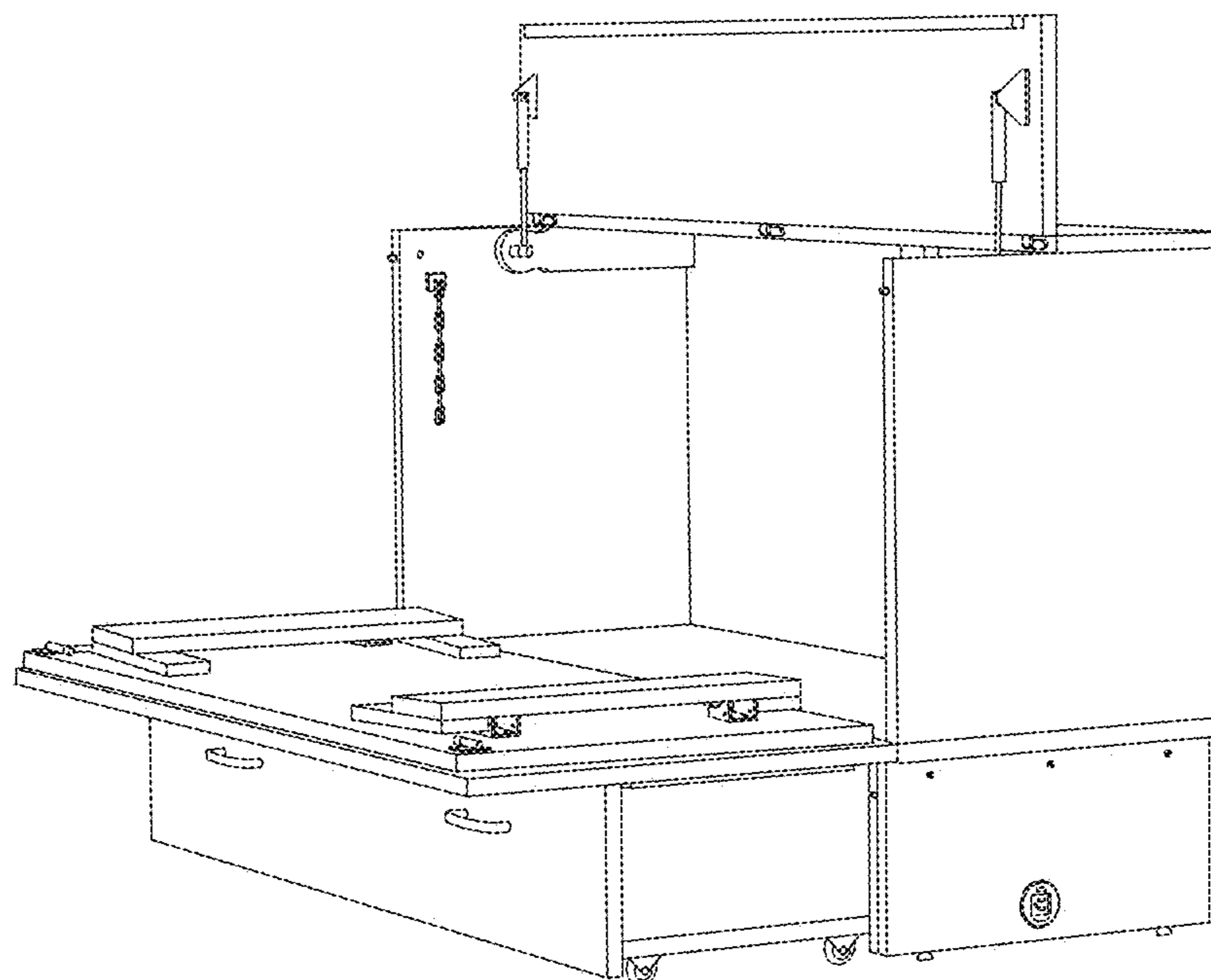


FIG. 10

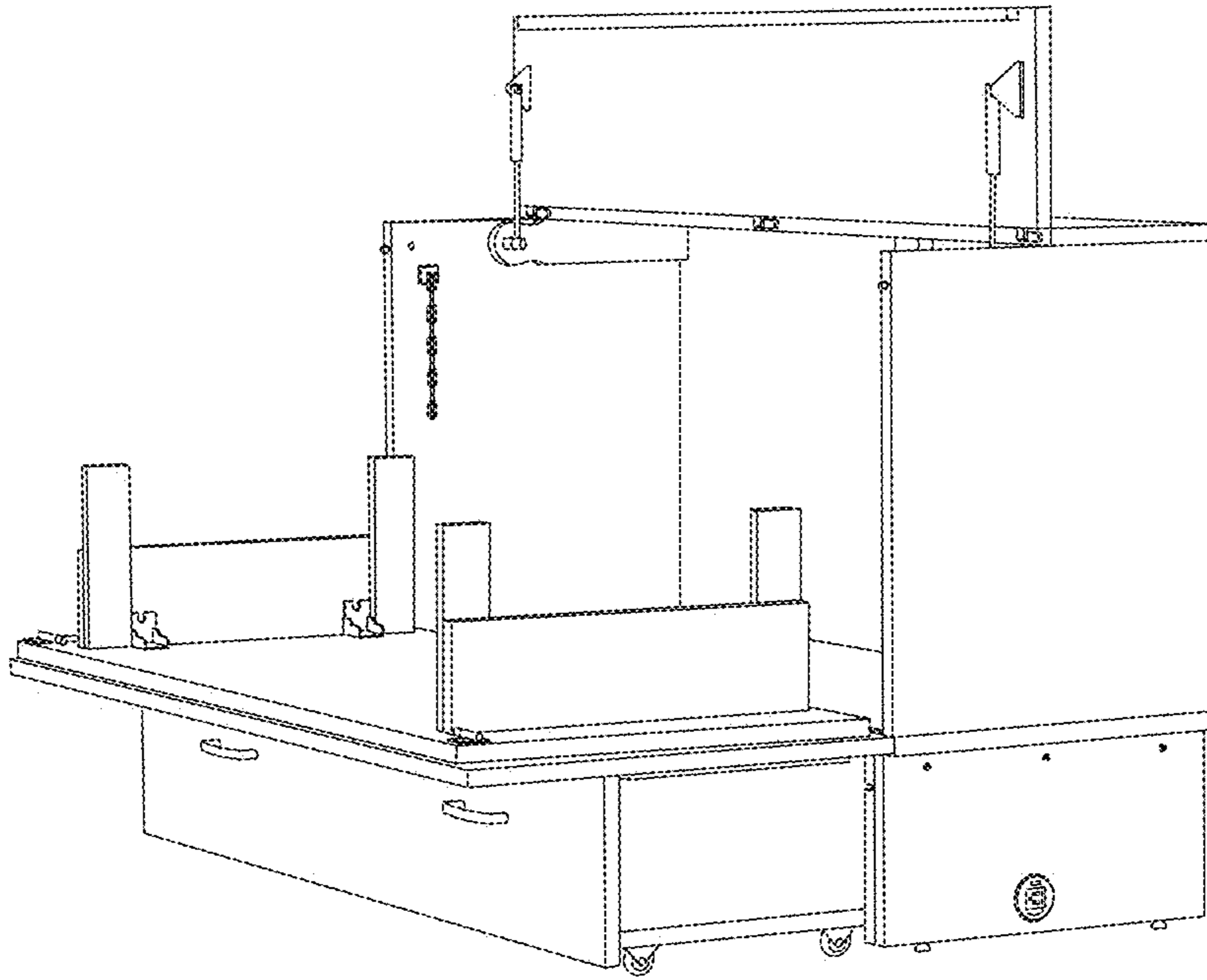


FIG. 11

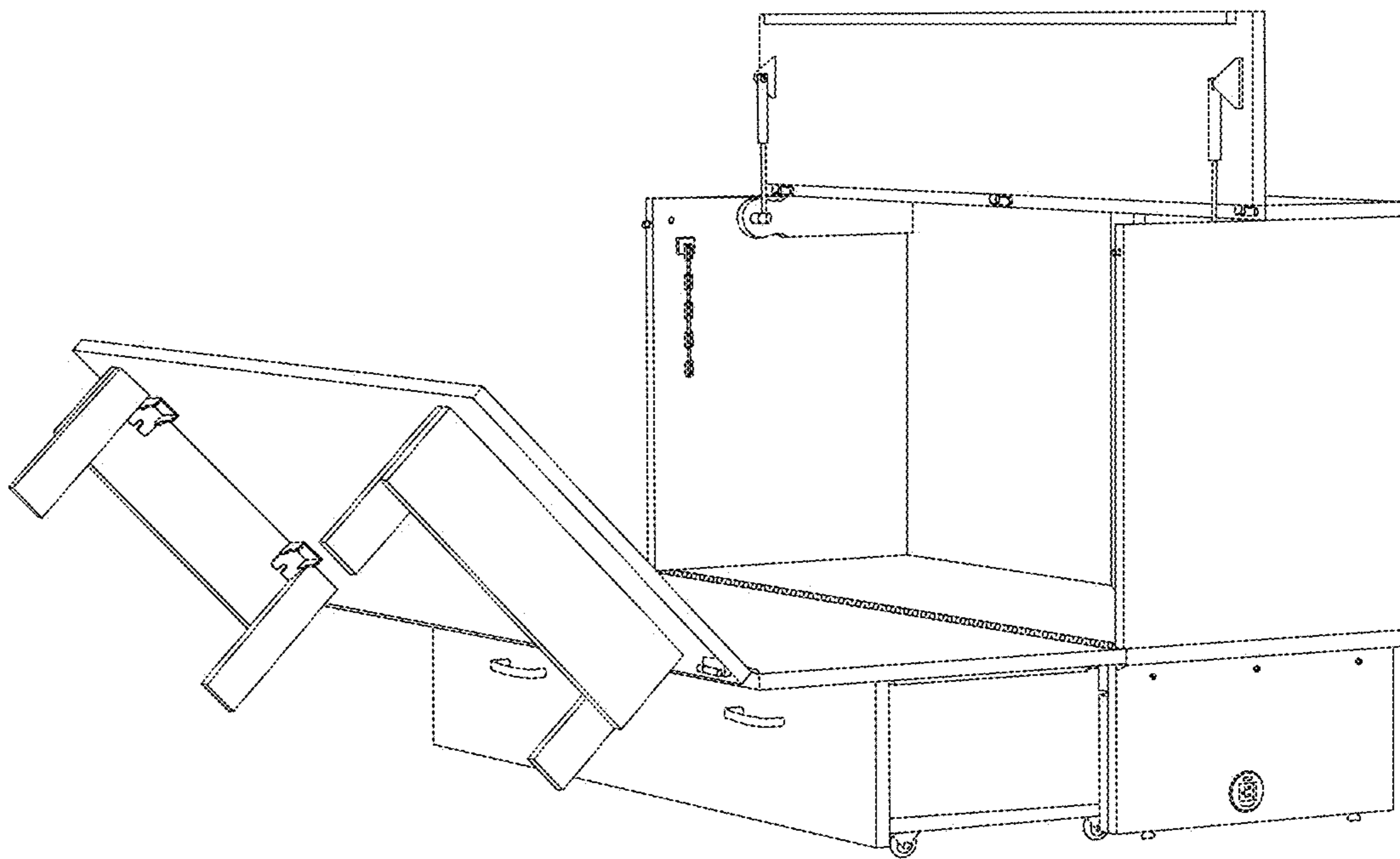


FIG. 12

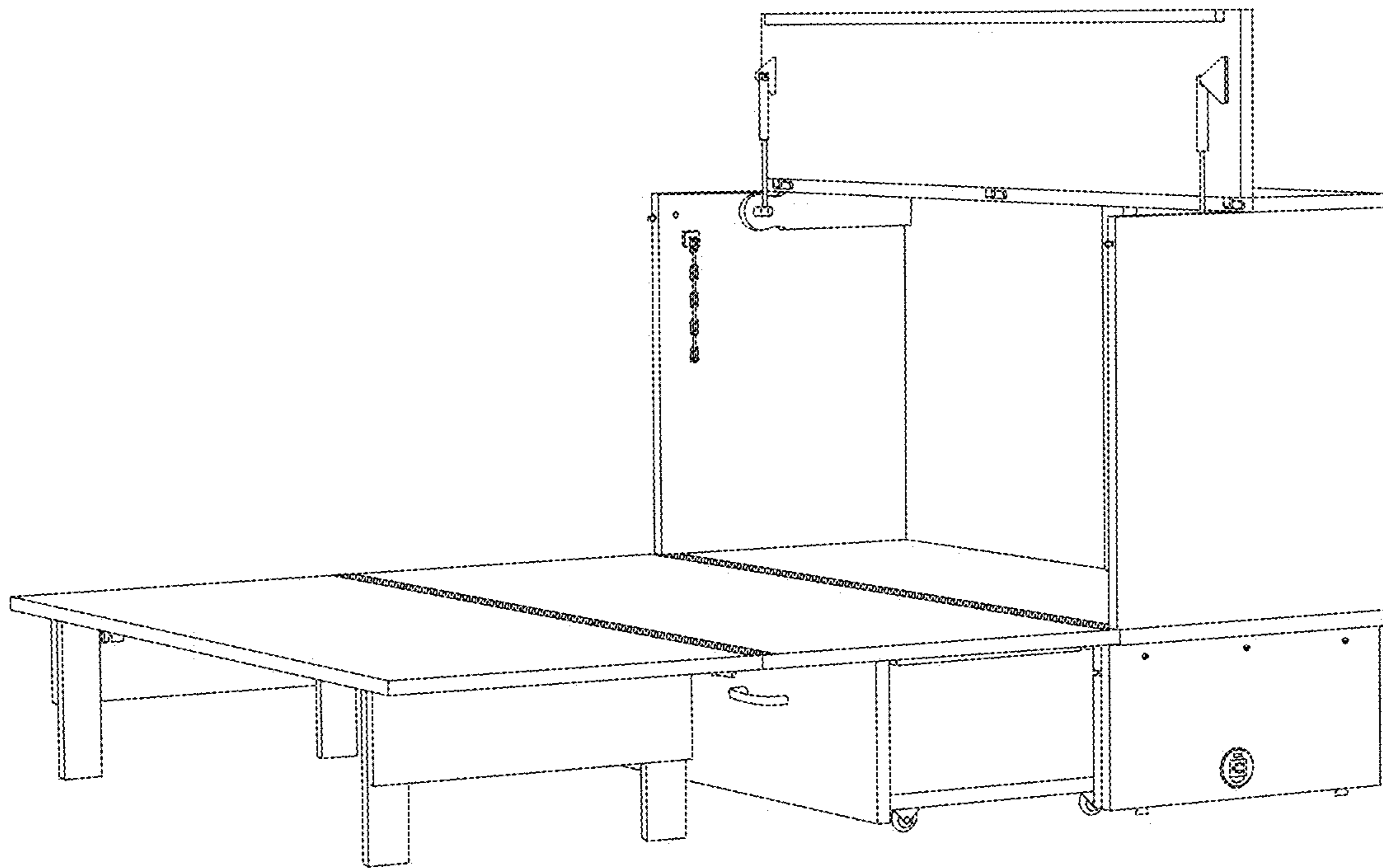


FIG. 13

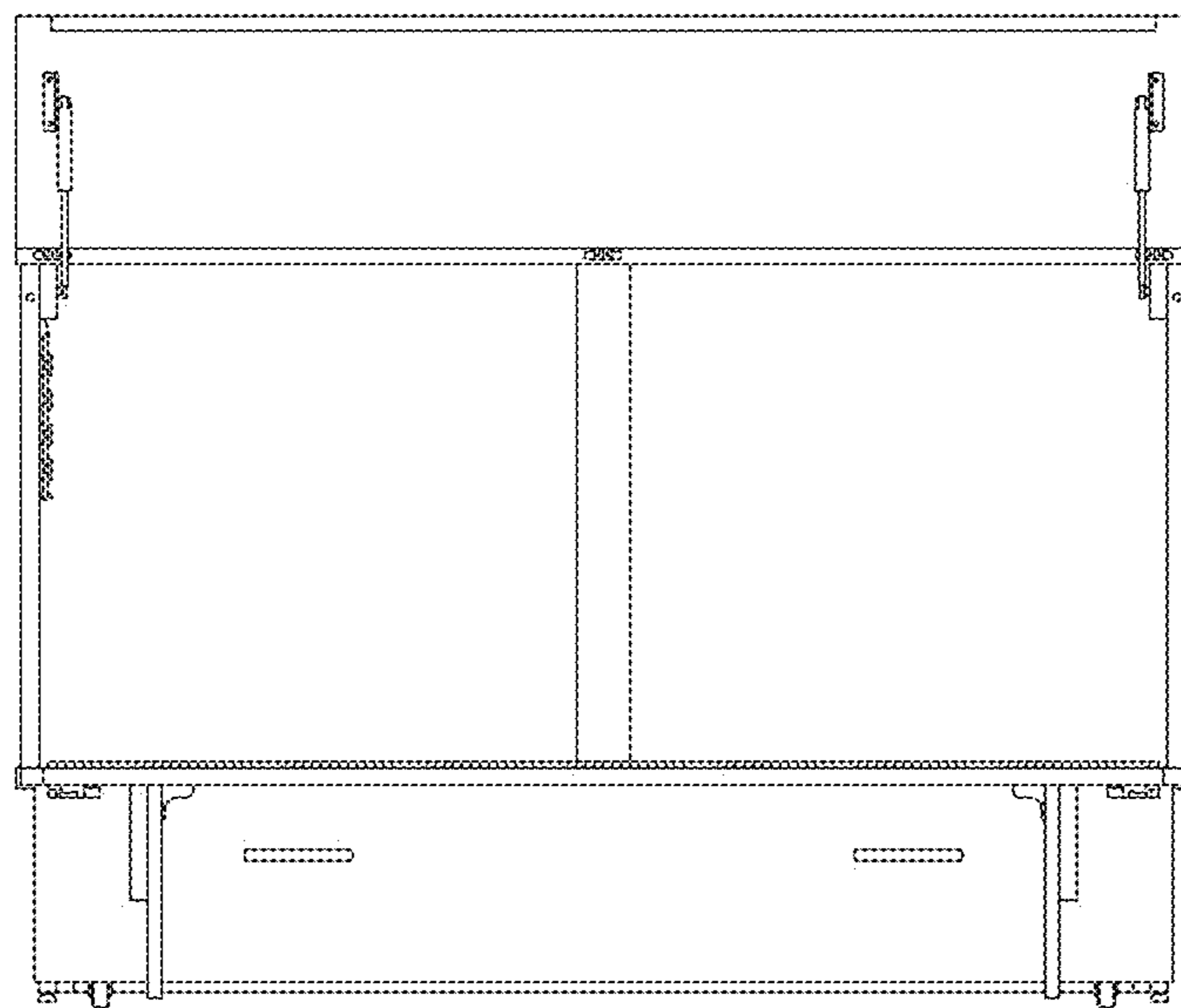


FIG. 14

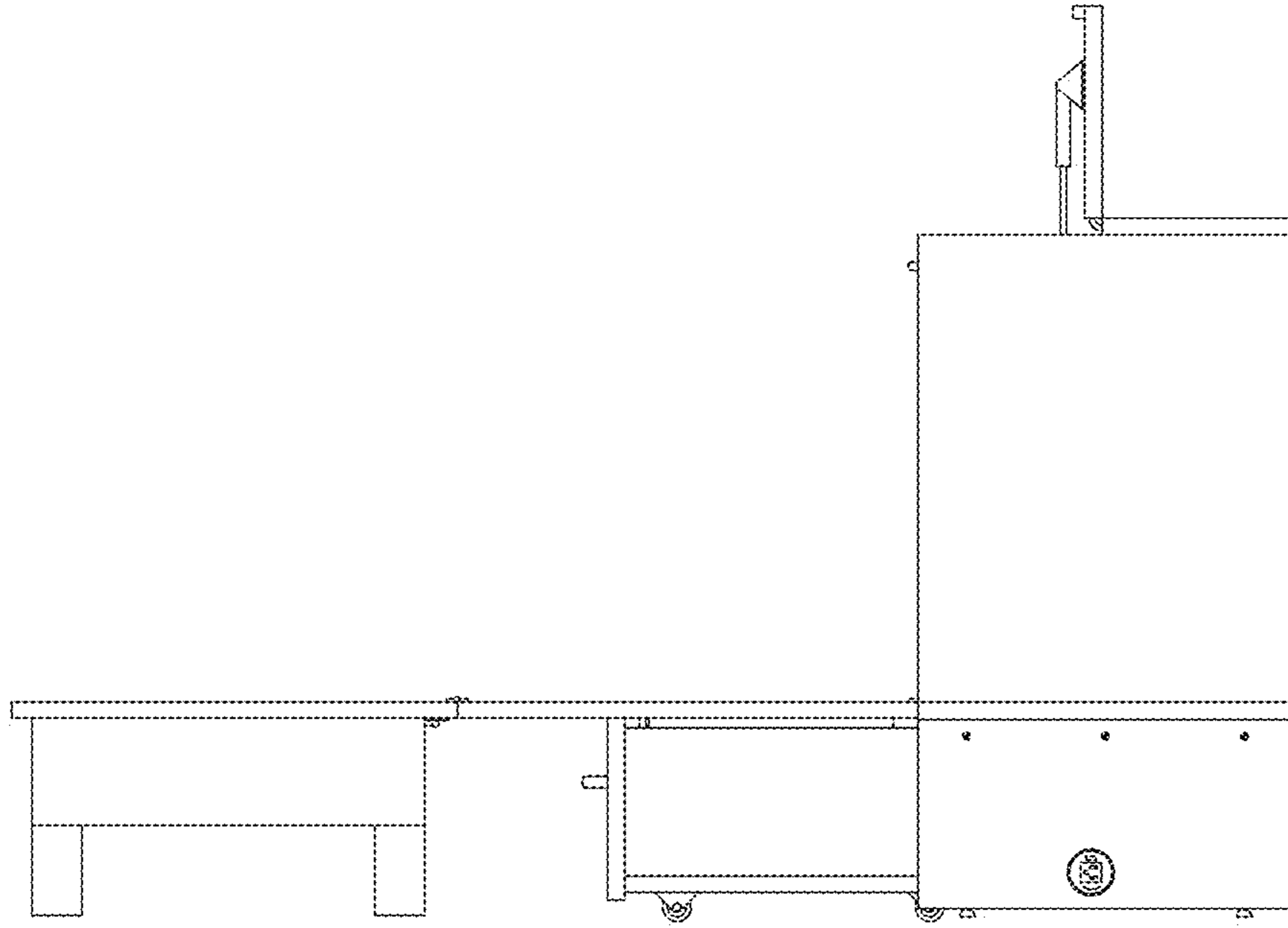


FIG. 15



FIG. 16

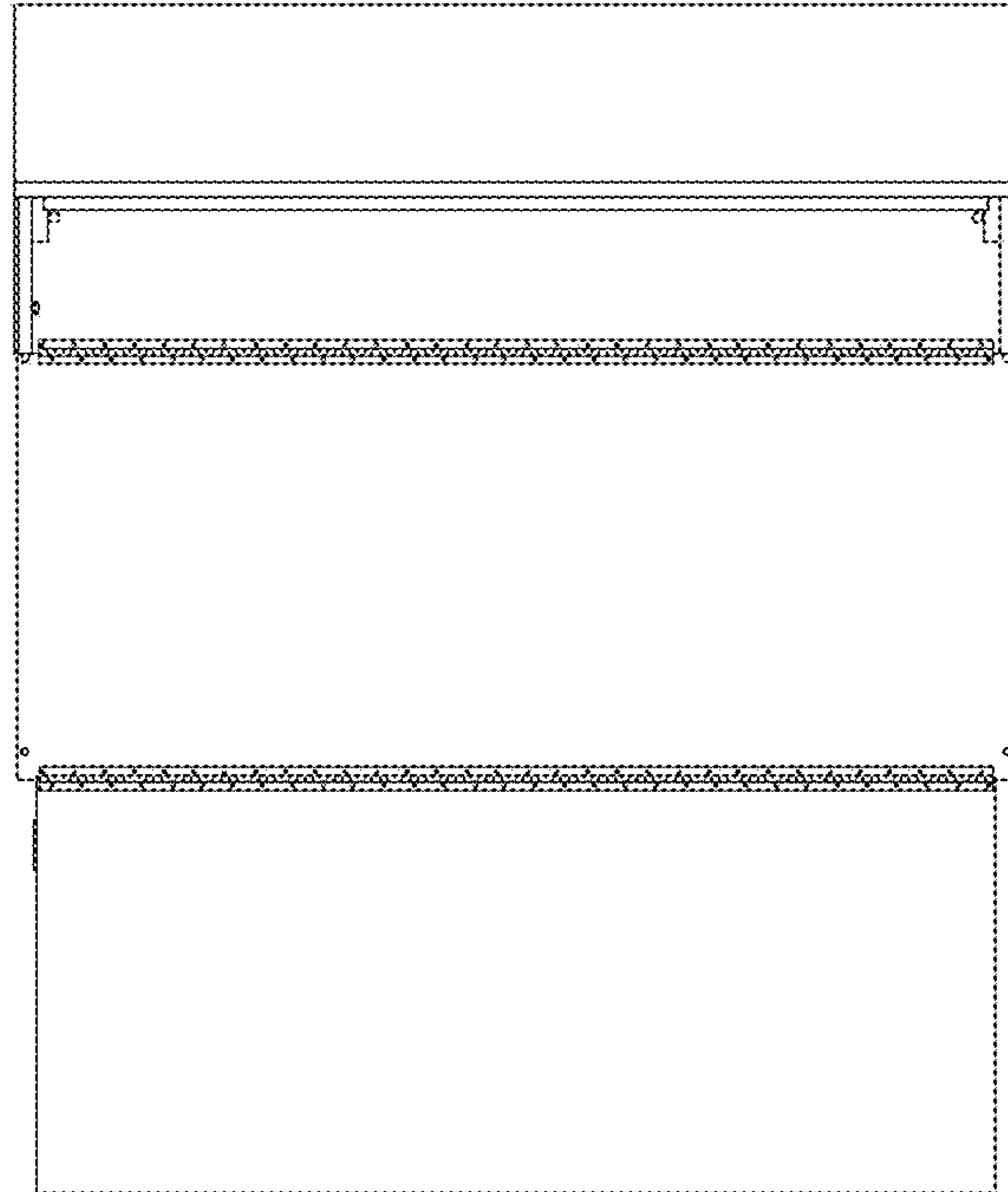


FIG. 17

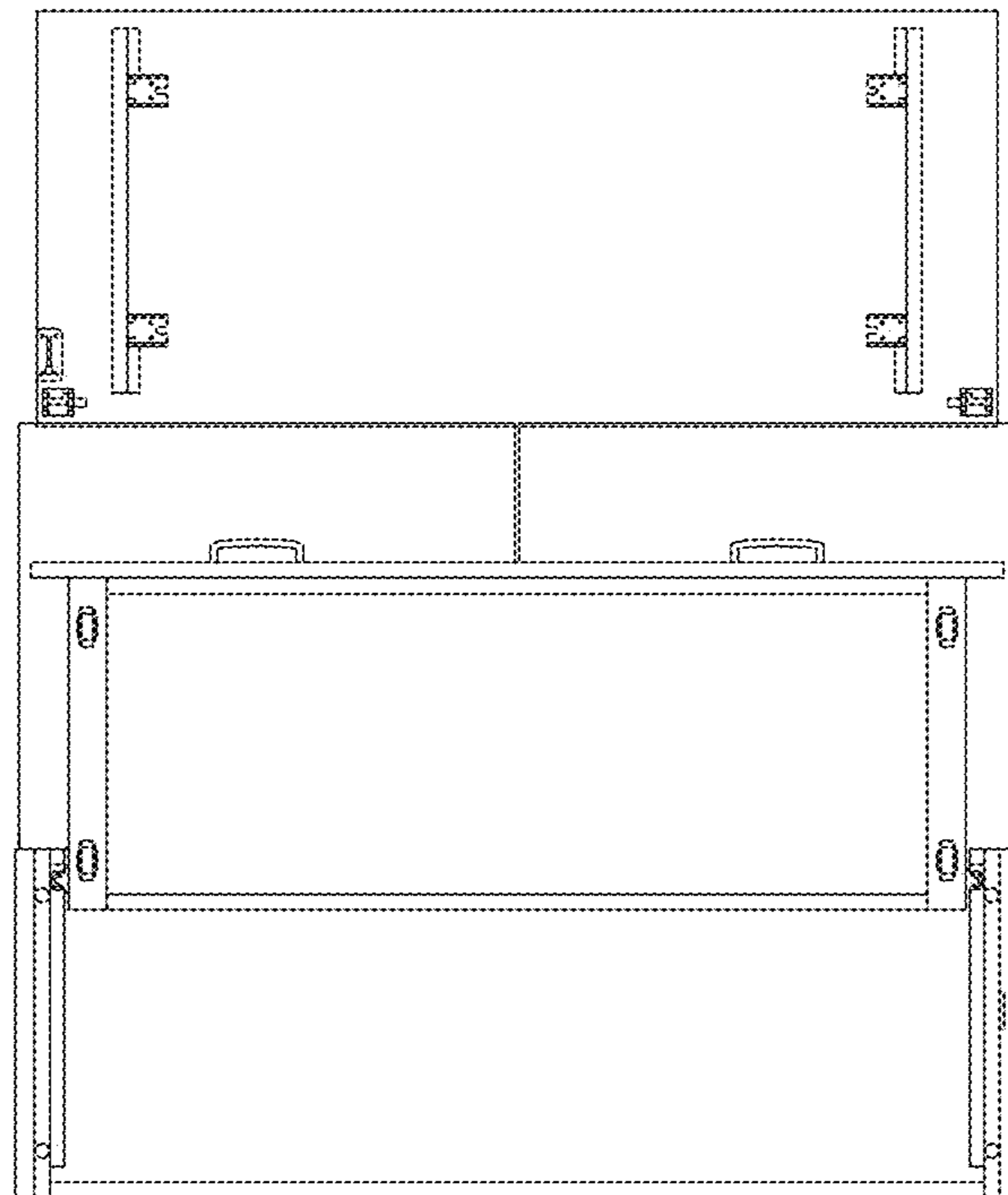


FIG. 18