



US00D884394S

(12) **United States Design Patent**
Hajissa et al.

(10) **Patent No.:** **US D884,394 S**

(45) **Date of Patent:** **** May 19, 2020**

(54) **FRAME**

(71) Applicant: **Rehabilitation Institute of Chicago,**
Chicago, IL (US)

(72) Inventors: **Eyad Hajissa,** Lisle, IL (US); **James Lanphier Patton,** Winnetka, IL (US); **Felix Charles Huang,** Chicago, IL (US)

(73) Assignee: **Rehabilitation Institute of Chicago,**
Chicago, IL (US)

(**) Term: **15 Years**

(21) Appl. No.: **29/693,820**

(22) Filed: **Jun. 5, 2019**

Related U.S. Application Data

(62) Division of application No. 29/624,659, filed on Nov. 2, 2017, now Pat. No. Des. 853,155.

(51) **LOC (12) Cl.** **06-03**

(52) **U.S. Cl.**
USPC **D6/654.17**

(58) **Field of Classification Search**
USPC D6/652, 654, 654.1, 654.17, 655, 655.1, D6/655.11, 655.13, 655.14, 655.18, 656, D6/656.12, 656.13, 656.15, 656.16, D6/656.17, 656.19, 675, 686, 687, 688, D6/691, 698, 707.19, 708.21
CPC A47B 23/00; A47B 23/001; A47B 23/002; B60N 3/002; B29C 63/04; B29C 63/02
See application file for complete search history.

(56) **References Cited**

U.S. PATENT DOCUMENTS

5,311,880 A * 5/1994 Lancaster A61B 5/1036
135/67
5,603,677 A * 2/1997 Sollo A61H 1/0229
135/67

D662,336 S * 6/2012 Martin D6/656
9,398,995 B2 * 7/2016 Tekulve A63B 69/0064
D853,155 S * 7/2019 Hajissa D6/654.17
2004/0002407 A1 * 1/2004 Hawkes A61H 3/008
482/69
2004/0177441 A1 * 9/2004 Ronne A61G 7/1017
5/86.1
2006/0009332 A1 * 1/2006 Jones A61H 1/0255
482/54
2008/0227609 A1 * 9/2008 Barniak A63B 3/00
482/142

(Continued)

OTHER PUBLICATIONS

Prototype. Rehabilitation Institute of Chicago. First viewable Sep. 2012.

(Continued)

Primary Examiner — Mary Ann Calabrese

Assistant Examiner — Catherine Ho

(74) *Attorney, Agent, or Firm* — McAndrews, Held & Malloy, Ltd.

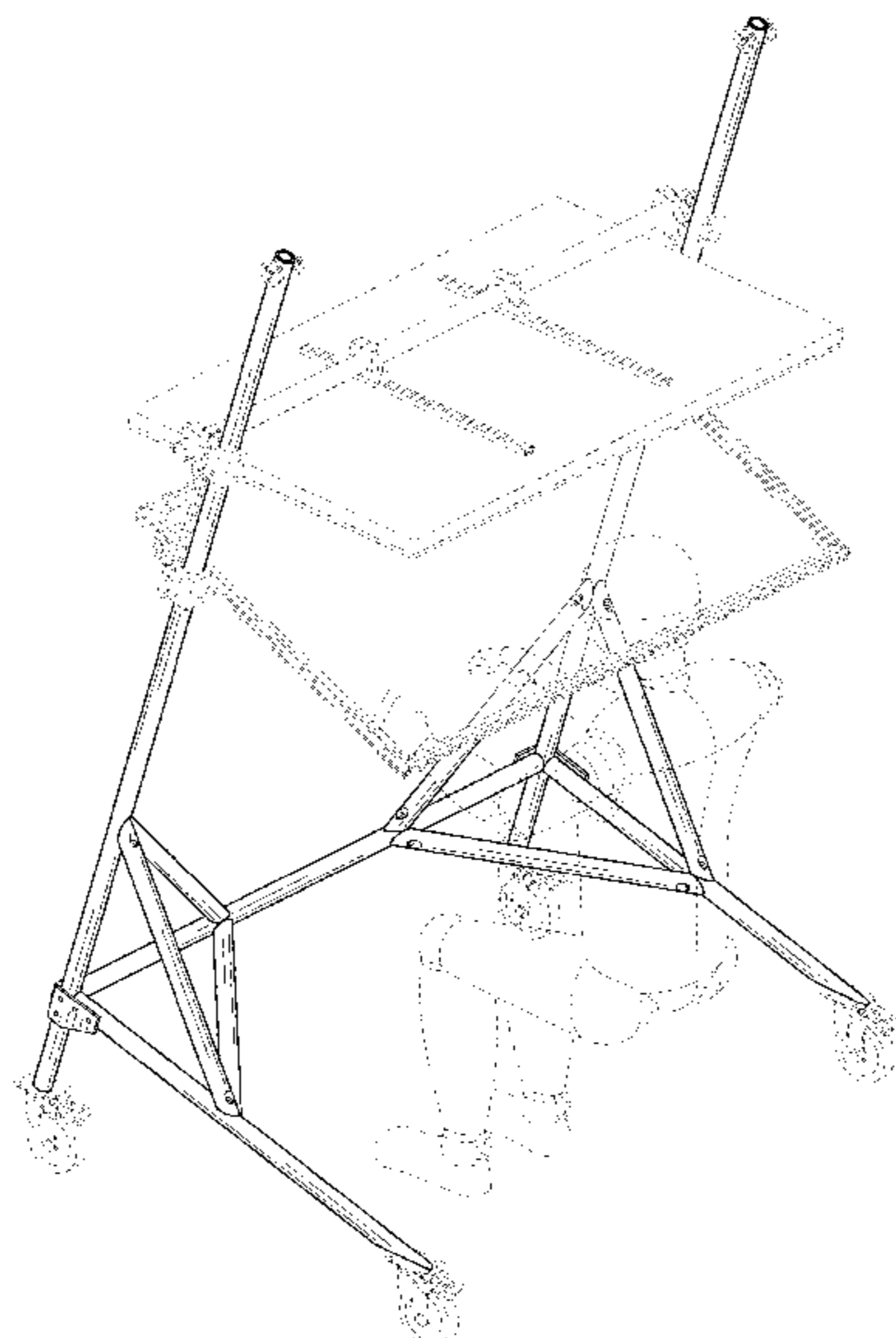
(57) **CLAIM**

The ornamental design for a frame, as shown and described.

DESCRIPTION

FIG. 1 is a right-frontal perspective view of a frame showing our new design;
FIG. 2 is a front elevation view thereof;
FIG. 3 is a rear elevation view thereof;
FIG. 4 is a right-side elevation view thereof;
FIG. 5 is a left-side elevation view thereof;
FIG. 6 is a top plan view thereof; and,
FIG. 7 is a bottom plan view thereof.
The dashed broken lines in the figures depict portions of the frame that form no part of the claimed design.

1 Claim, 7 Drawing Sheets



(56)

References Cited

U.S. PATENT DOCUMENTS

2009/0249544 A1* 10/2009 Palay A61G 5/14
5/83.1
2010/0318005 A1* 12/2010 Amonette A61H 3/008
601/23
2013/0178767 A1* 7/2013 Dreske A61H 3/008
601/23
2013/0318708 A1* 12/2013 Wang A61G 7/1003
5/87.1

OTHER PUBLICATIONS

Prototype. Rehabilitation Institute of Chicago. First viewable Jan. 2016.

Ivy. SenseGraphics (Jan. 2010).

* cited by examiner

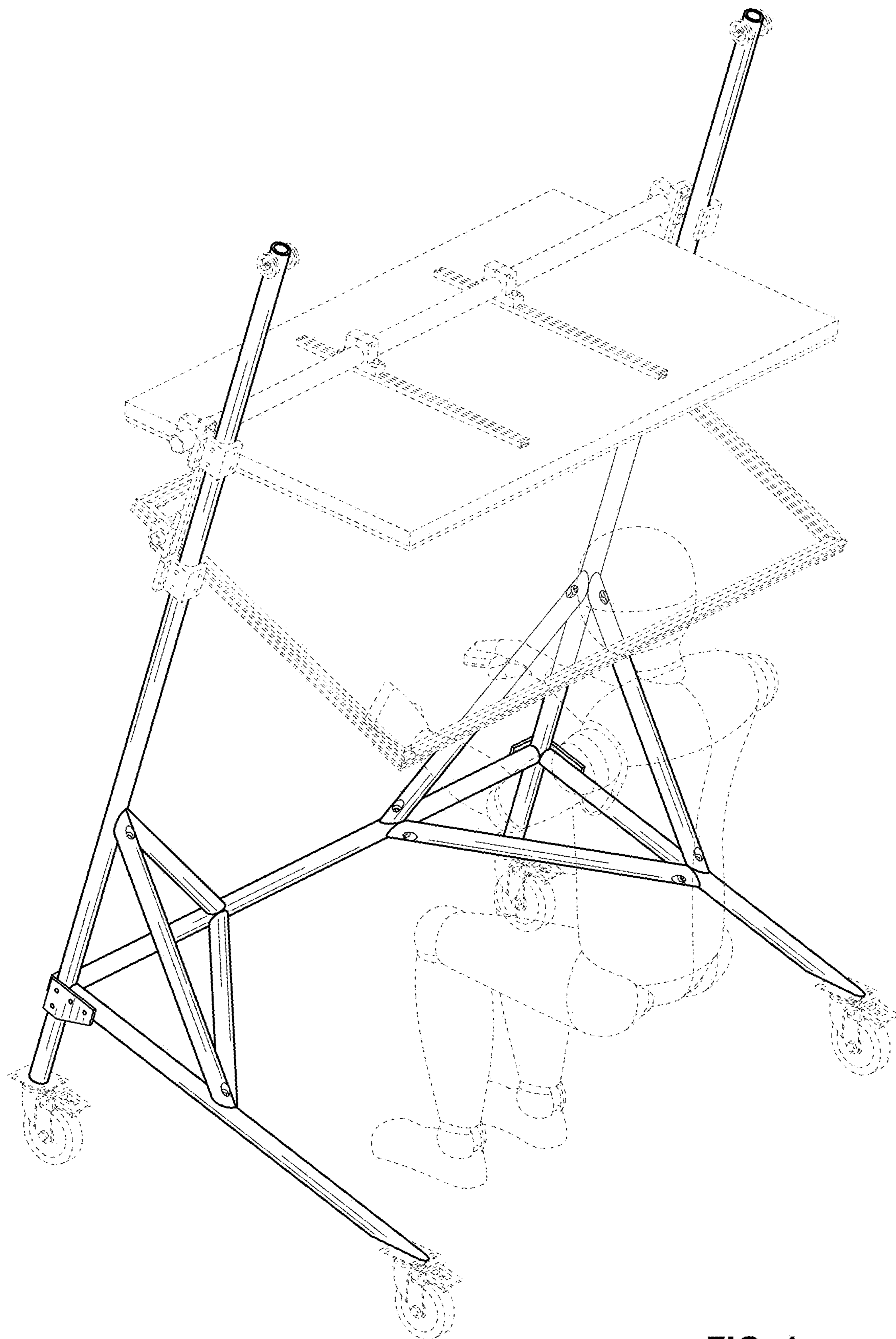


FIG. 1

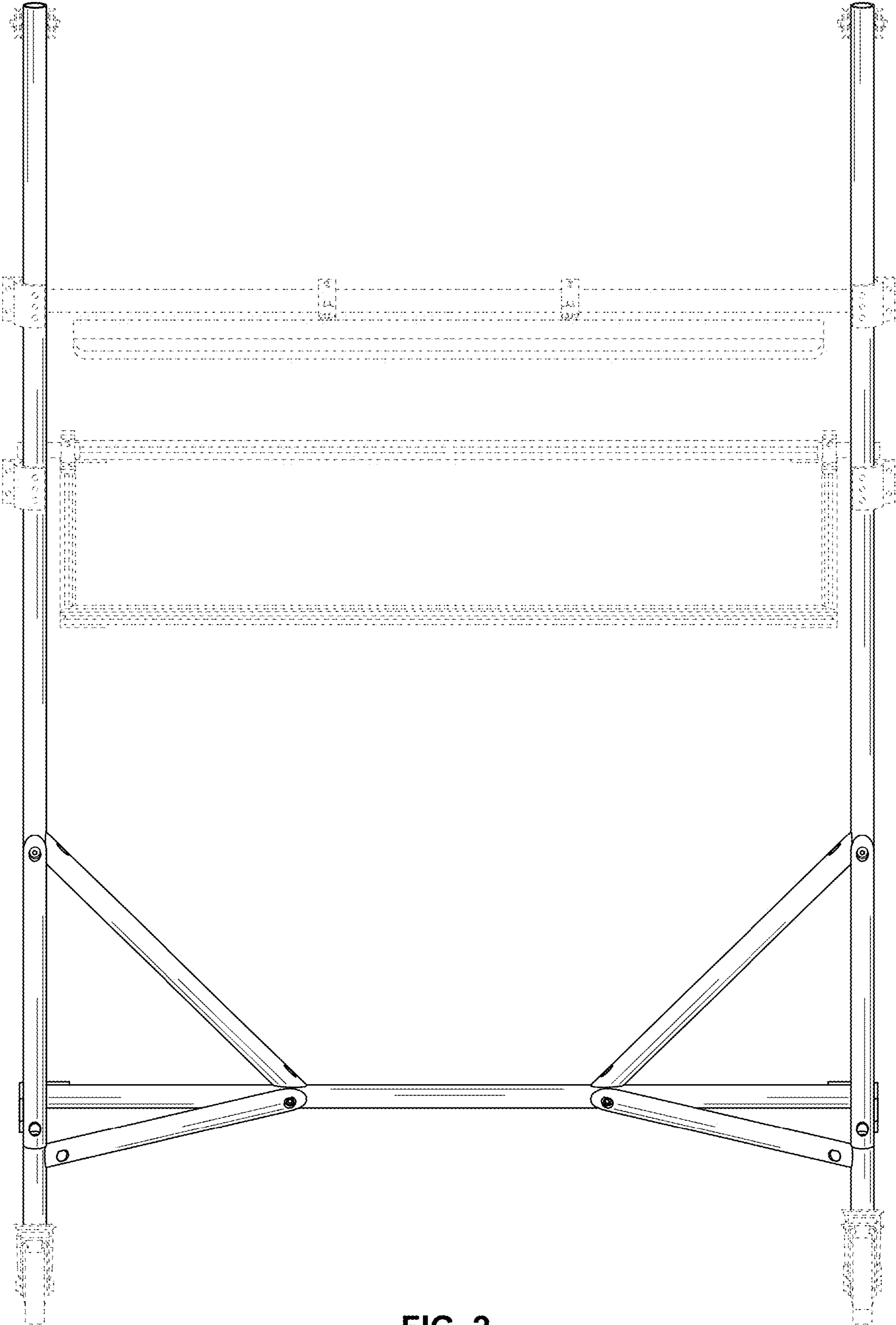


FIG. 2

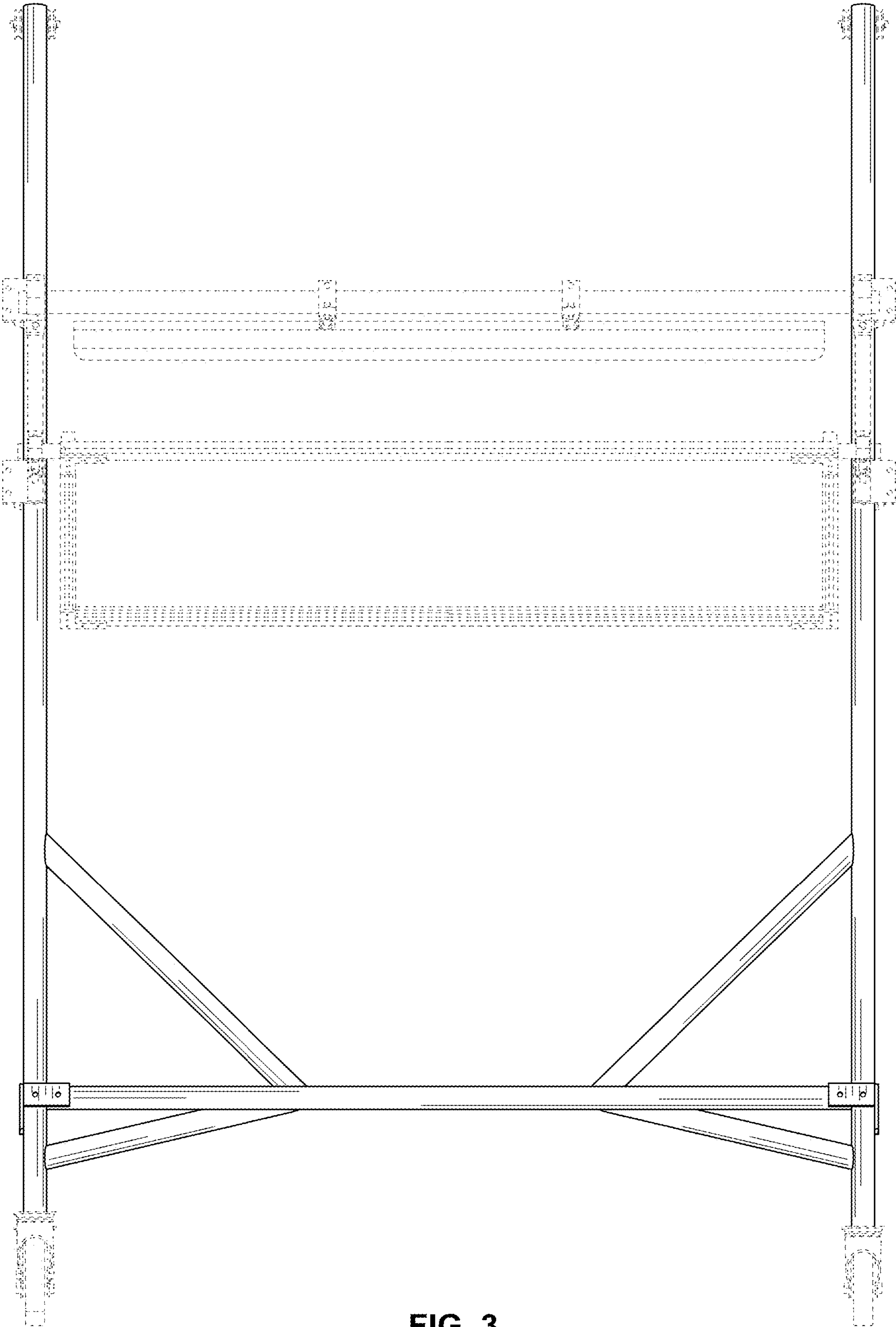


FIG. 3

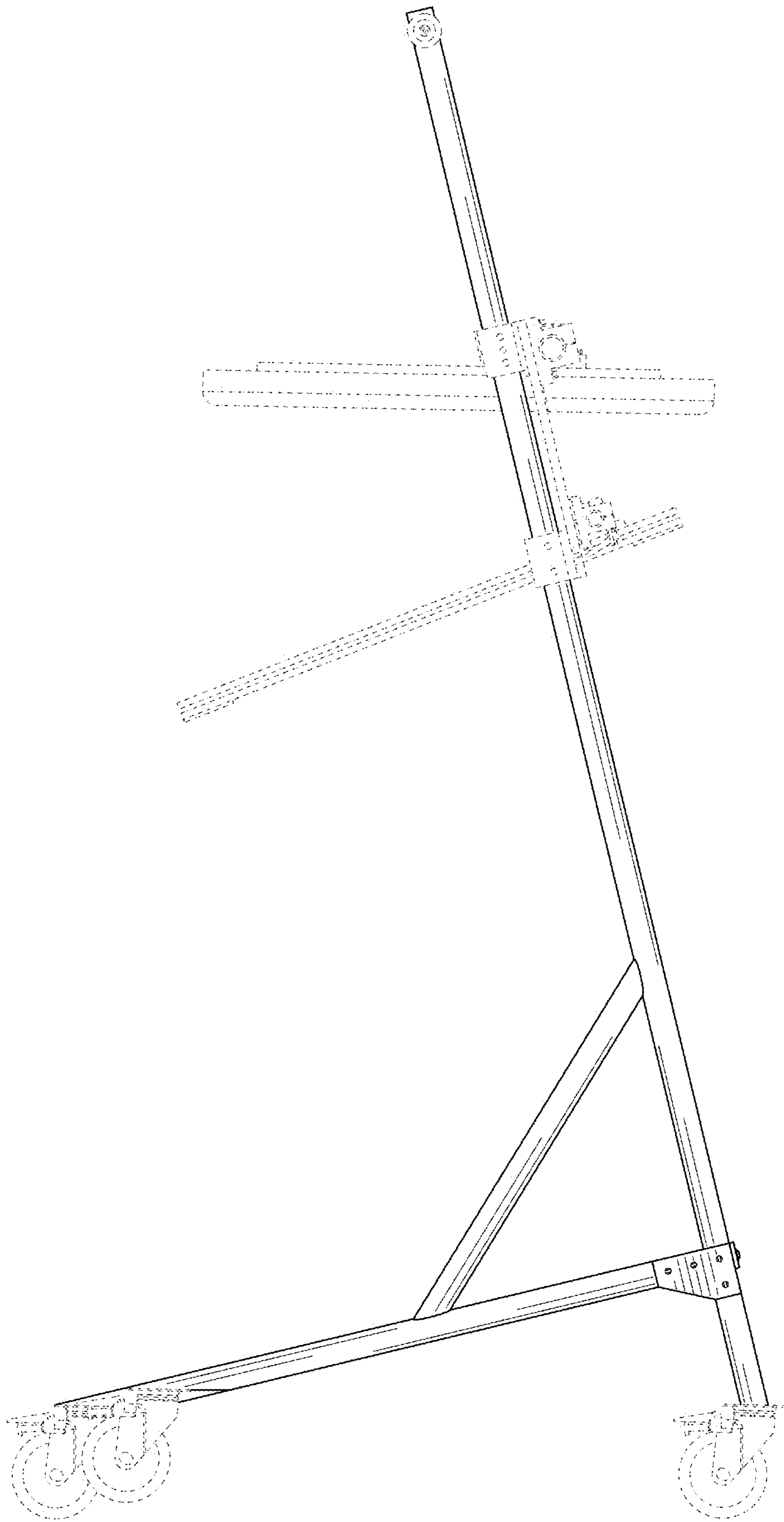


FIG. 4

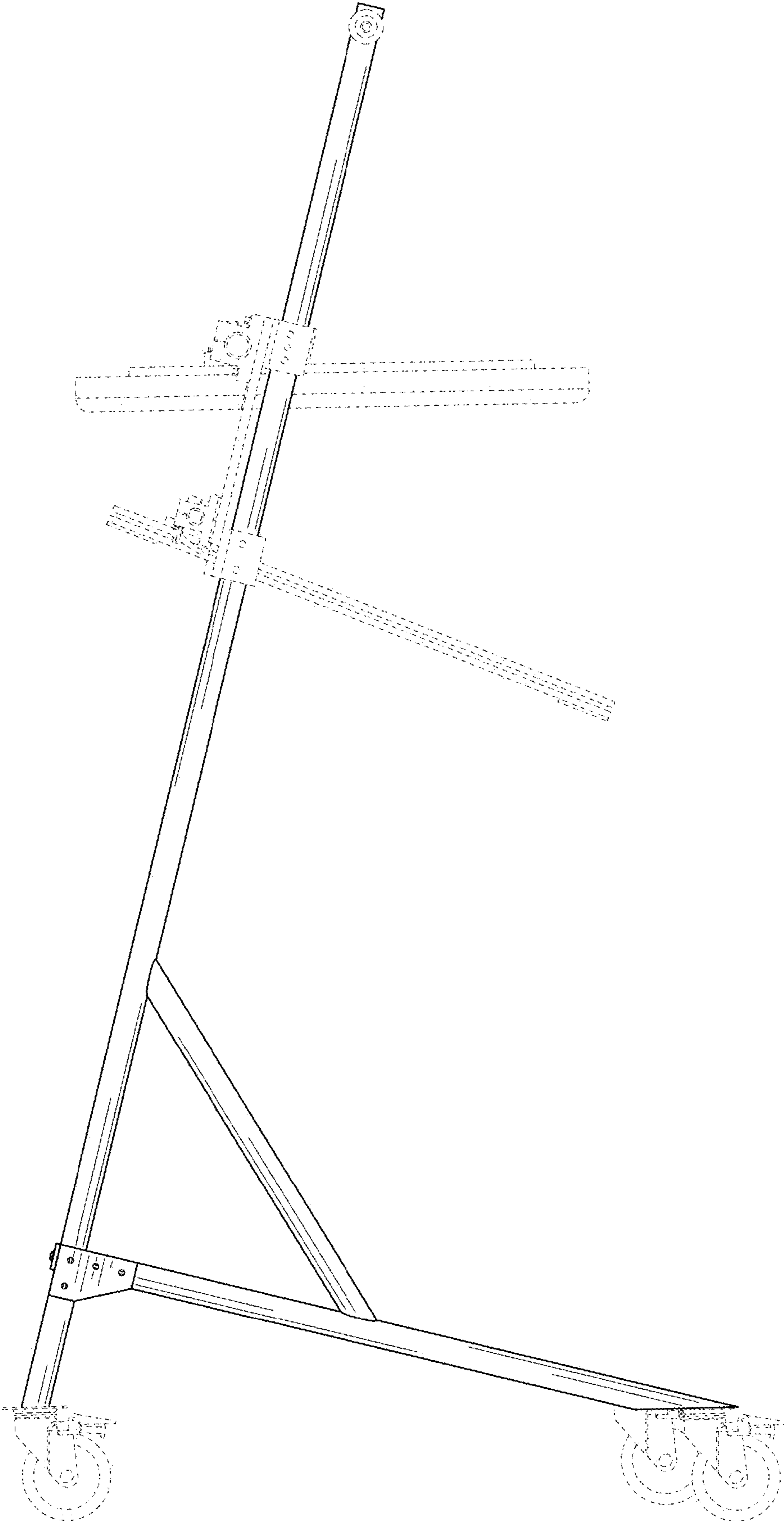


FIG. 5

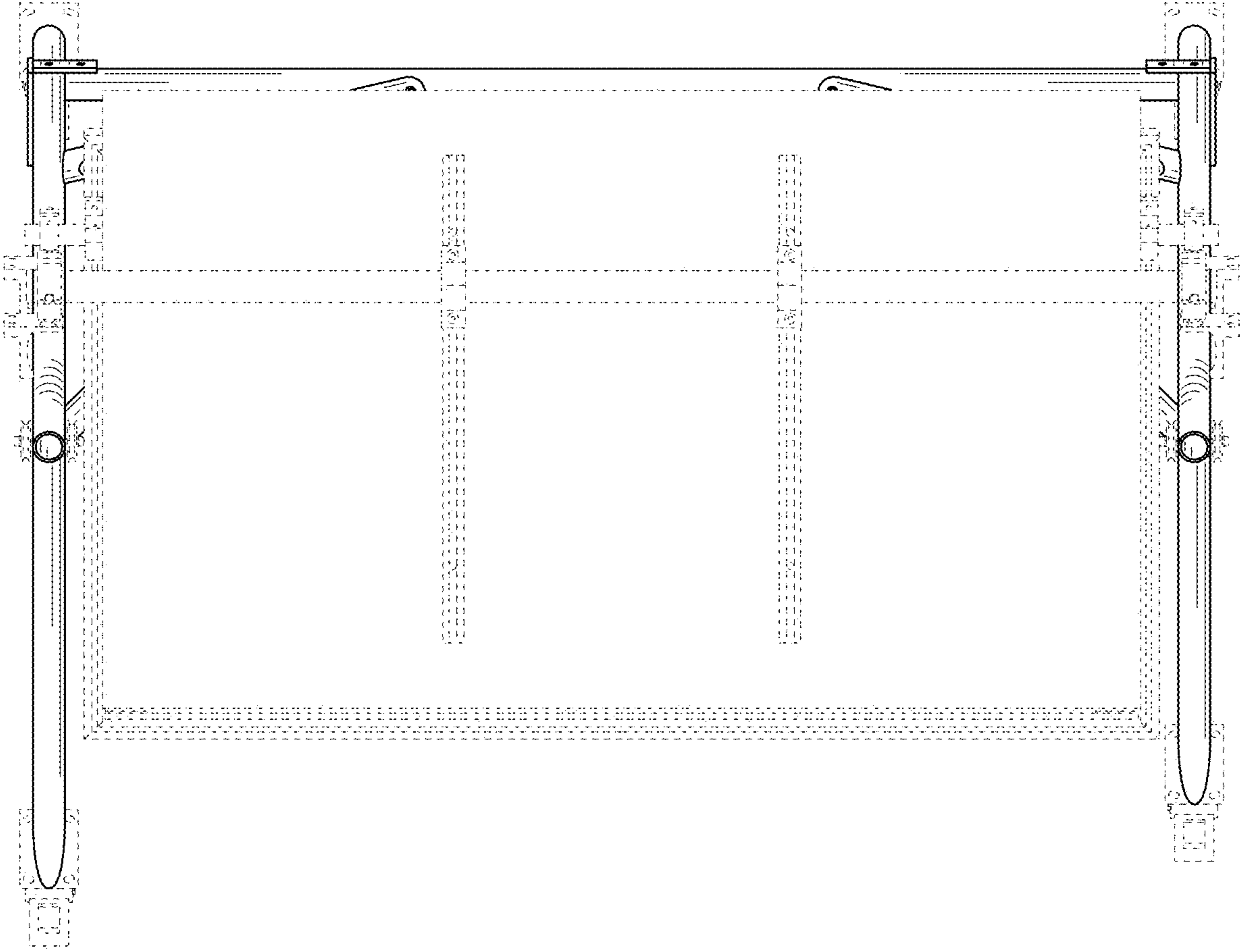


FIG. 6

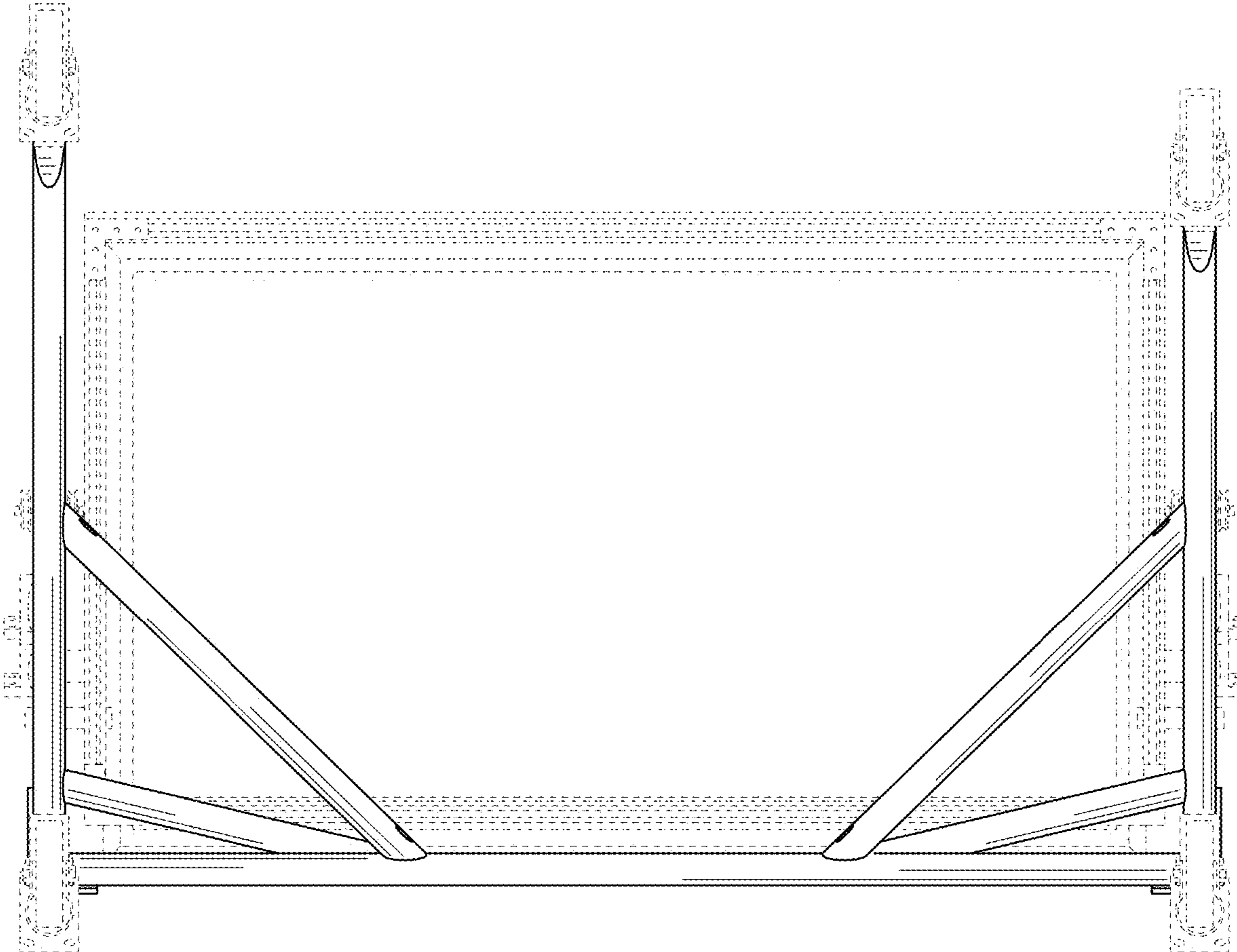


FIG. 7