



US00D884393S

(12) **United States Design Patent**  
**Smitch**

(10) **Patent No.:** **US D884,393 S**

(45) **Date of Patent:** **\*\* May 19, 2020**

(54) **INTEGRAL PLACEMAT AND COASTER**

D664,405 S \* 7/2012 Chen ..... D7/698  
D684,438 S \* 6/2013 Joseph ..... D7/698  
D700,024 S \* 2/2014 Murison ..... D7/698

(71) Applicant: **Adam Smitch**, Austin, TX (US)

(72) Inventor: **Adam Smitch**, Austin, TX (US)

(\*\*) Term: **15 Years**

FOREIGN PATENT DOCUMENTS

EM 001632555-0003 \* 11/2009

(21) Appl. No.: **29/657,347**

OTHER PUBLICATIONS

(22) Filed: **Jul. 20, 2018**

Silicone Placemat with sippy cup holder by The Parent Diary [online], [site visited Mar. 26, 2020]. Available from internet, URL:<<https://www.walmart.com/ip/Silicone-Placemat-with-sippy-cup-holder-by-The-Parent-Diary/679054693>> (Year: 2020).\*

(51) **LOC (12) Cl.** ..... **06-13**

(52) **U.S. Cl.**

USPC ..... **D6/616**

(58) **Field of Classification Search**

USPC ..... D6/612-616; D7/505, 506, 531, 541,  
D7/543, 544, 546, 549, 551.3, 553.1, 555,  
D7/563, 567, 698; D14/457, 458  
CPC .... A47G 11/00; A47G 11/001; A47G 11/003;  
A47G 11/008; A47G 19/00; A47G 21/00;  
A47G 23/00

See application file for complete search history.

\* cited by examiner

*Primary Examiner* — Cynthia Ramirez

*Assistant Examiner* — Xavier Marti-Santos

(74) *Attorney, Agent, or Firm* — Mitchell Law PLLC;  
Matthew W. Mitchell

(56) **References Cited**

U.S. PATENT DOCUMENTS

D213,093 S \* 1/1969 Thomas, Jr. .... D9/761  
D258,036 S \* 1/1981 Sabin ..... D7/698  
D301,820 S \* 6/1989 Wasserman ..... D6/406.6  
D369,056 S \* 4/1996 Rinaldo ..... D6/596  
D387,623 S \* 12/1997 Brooks ..... D7/553.8  
D448,232 S \* 9/2001 Wilkinson ..... D6/613  
D453,164 S \* 1/2002 Bach ..... D14/457  
D465,376 S \* 11/2002 Wilkinson ..... A47G 23/0303  
D6/613  
D524,096 S \* 7/2006 Babkes ..... D7/354  
D538,576 S \* 3/2007 Bartell ..... D6/613

(57) **CLAIM**

The ornamental design for an integral placemat and coaster, as shown and described.

**DESCRIPTION**

FIG. 1 is a front isometric view of an integral placemat and coaster, showing my new design.

FIG. 2 is a top plan view thereof;

FIG. 3 is a bottom plan view thereof;

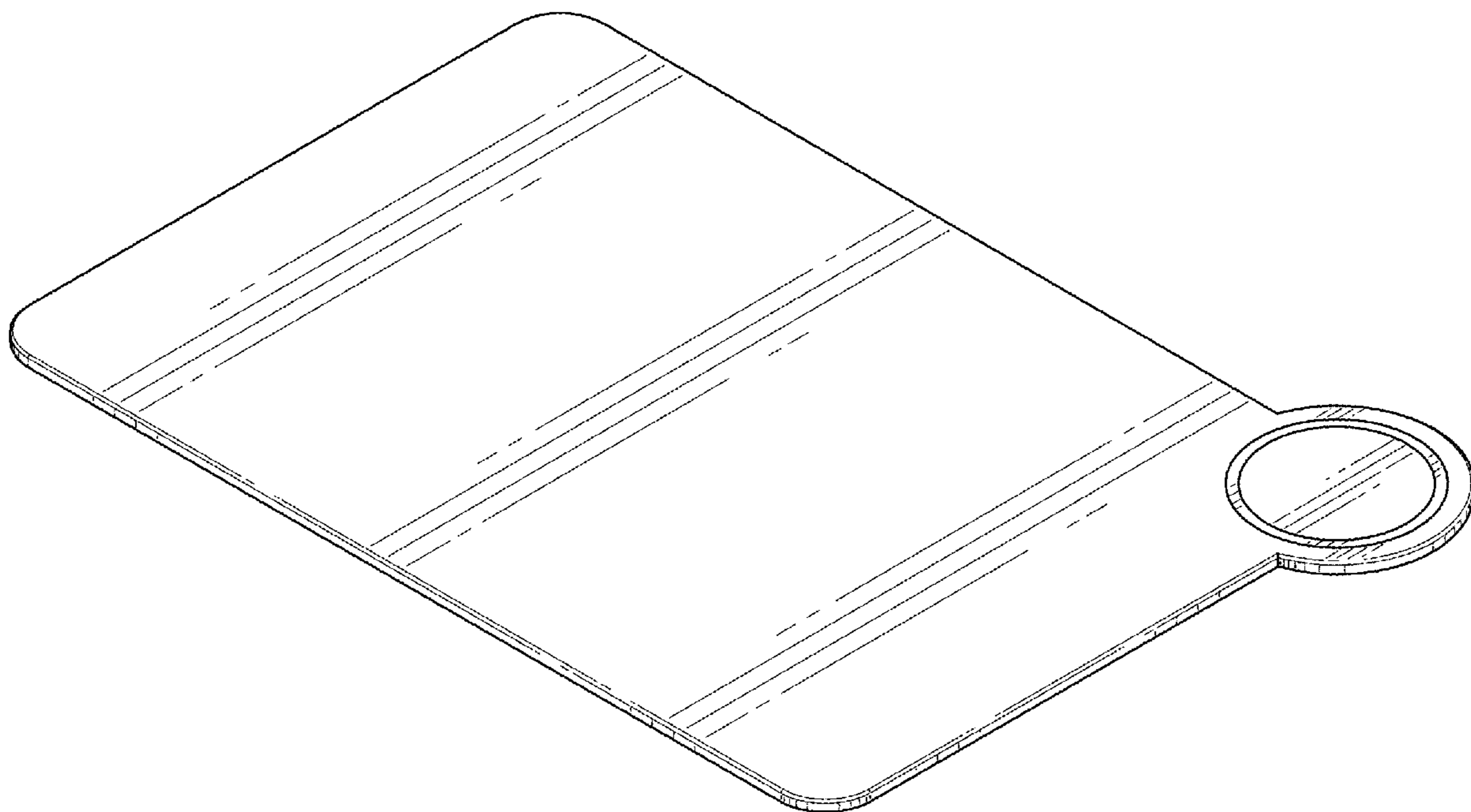
FIG. 4 is a front side view thereof;

FIG. 5 is a rear side view thereof;

FIG. 6 is a right view thereof; and,

FIG. 7 is a left side view thereof.

**1 Claim, 5 Drawing Sheets**



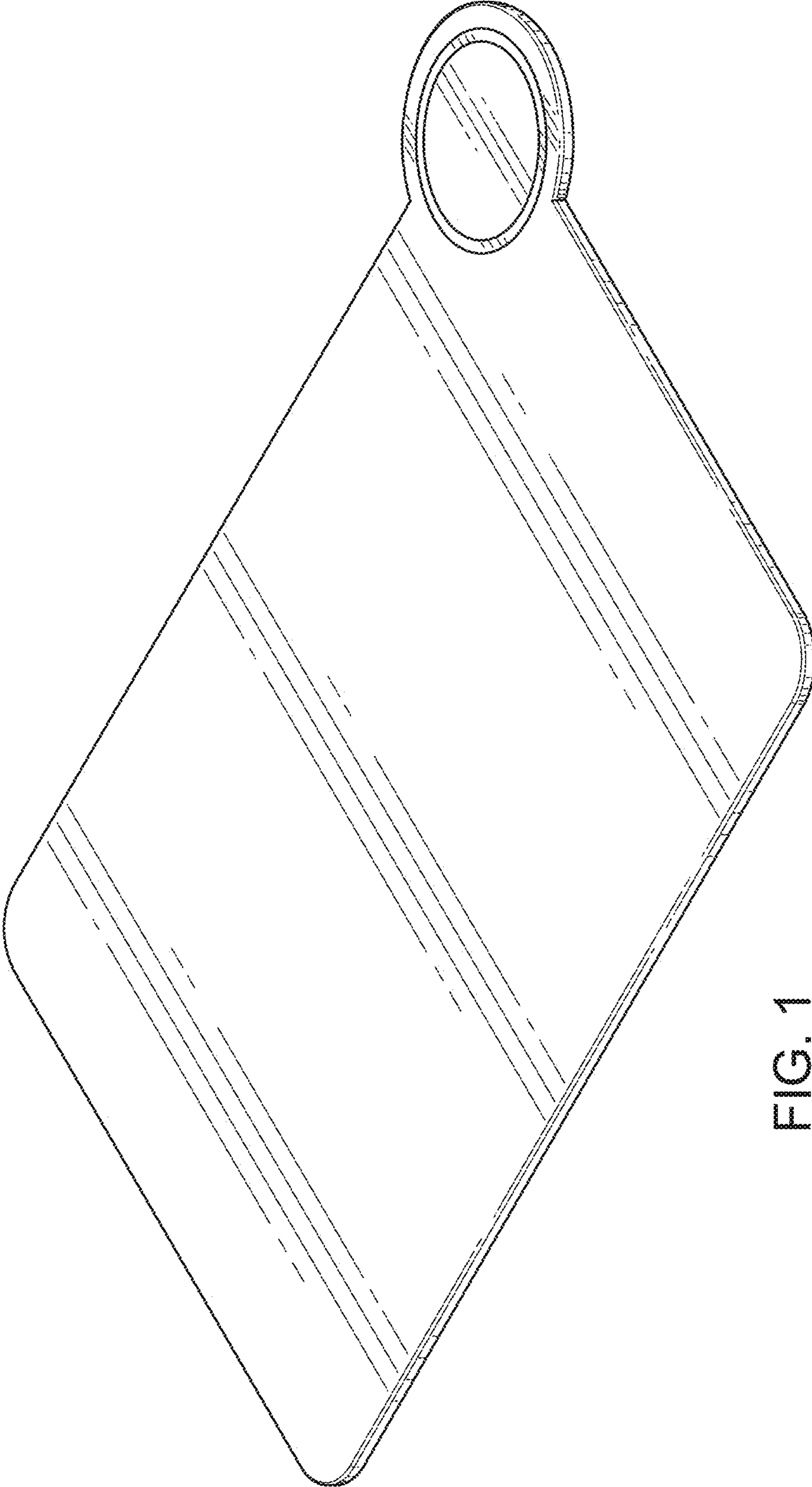


FIG. 1

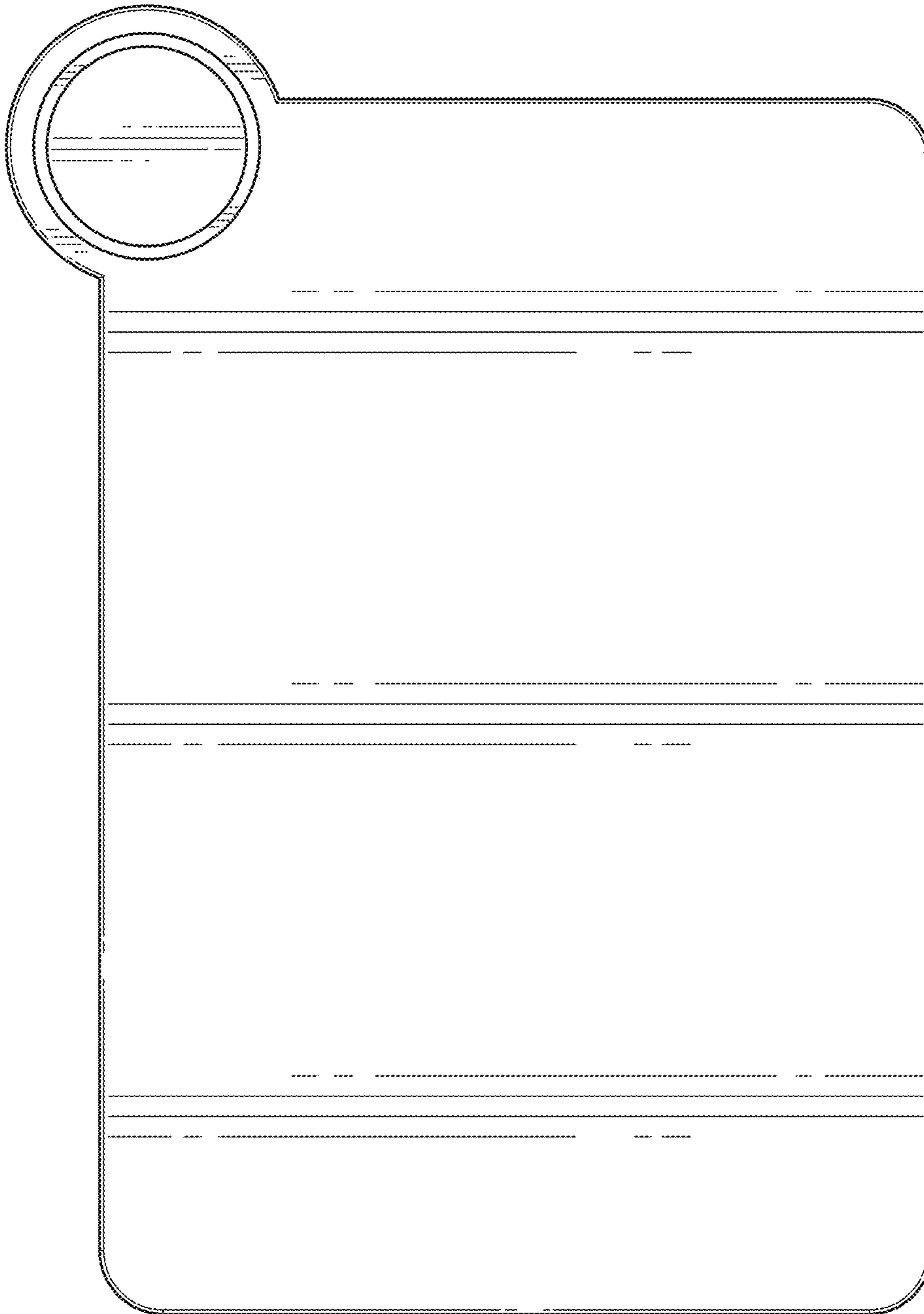


FIG. 2

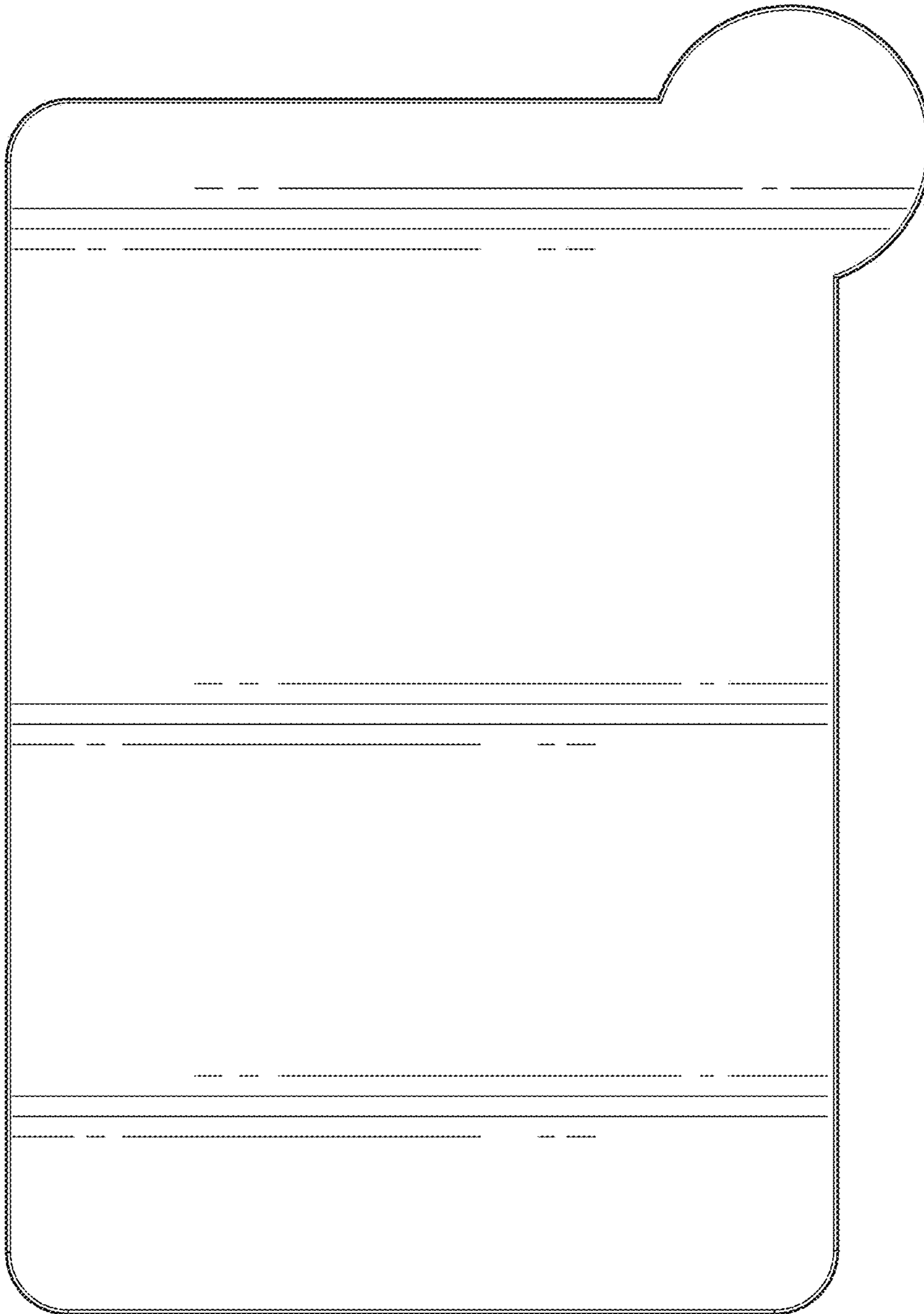


FIG. 3



FIG. 4



FIG. 5

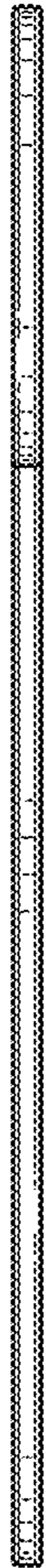


FIG. 6



FIG. 7