



US00D884392S

(12) **United States Design Patent** (10) **Patent No.:** **US D884,392 S**
Goh (45) **Date of Patent:** **** May 19, 2020**

(54) **CHAIR COVER**
(71) Applicant: **NRG Innovations, LLC**, Irwindale, CA (US)
(72) Inventor: **Leon Goh**, Chang Hua (CN)
(73) Assignee: **NRG Innovations, LLC**, Irwindale, CA (US)

D393,772 S 4/1998 Vingino
D400,044 S * 10/1998 Rosenberg D6/611
D403,195 S * 12/1998 Irwin-Tesmer D6/611
D420,815 S * 2/2000 Pond D6/356
6,736,454 B1 * 5/2004 Sardo A47C 7/26
297/229
D514,850 S * 2/2006 Shalmon A47C 7/465
D6/716.1

(**) Term: **15 Years**

(21) Appl. No.: **29/612,638**

(22) Filed: **Aug. 2, 2017**

(51) **LOC (12) Cl.** **06-13**

(52) **U.S. Cl.**
USPC **D6/611; D6/596**

(58) **Field of Classification Search**
USPC D6/601-603, 606, 608, 610-612, 617;
D14/239, 450; D12/401, 416, 425
CPC A47C 27/001; A47C 27/002; A47C 31/10;
A47C 31/105; A47C 31/11; A47C 31/113;
A47C 31/116; A47C 4/28; A47C 7/02;
A47C 7/021; A47C 7/022; A47C 7/386;
A47C 7/42; A47C 7/68; B60N 2/60;
B60N 2/58; B60N 2/585; B60N 2/6009
See application file for complete search history.

(56) **References Cited**

U.S. PATENT DOCUMENTS

D33,763 S 12/1900 Meinecke et al.
D157,561 S * 3/1950 Bloomfield D6/611
3,389,936 A * 6/1968 Drabert A47C 7/16
297/452.24
D213,191 S * 1/1969 Koch D6/374
D224,955 S * 10/1972 Tipton D6/716.1
D264,401 S * 5/1982 Trotman D6/611
D312,741 S * 12/1990 Treadwell D6/601
D331,521 S * 12/1992 Kelldorf D6/610
D343,756 S 2/1994 Sher
D346,702 S * 5/1994 Jackson D6/333

(Continued)

OTHER PUBLICATIONS

U.S. Appl. No. 29/612,363, filed Aug. 2, 2017, Goh.
(Continued)

Primary Examiner — Kevin K Rudzinski
Assistant Examiner — Clare Ann Gannon
(74) *Attorney, Agent, or Firm* — Sheridan Ross P.C.

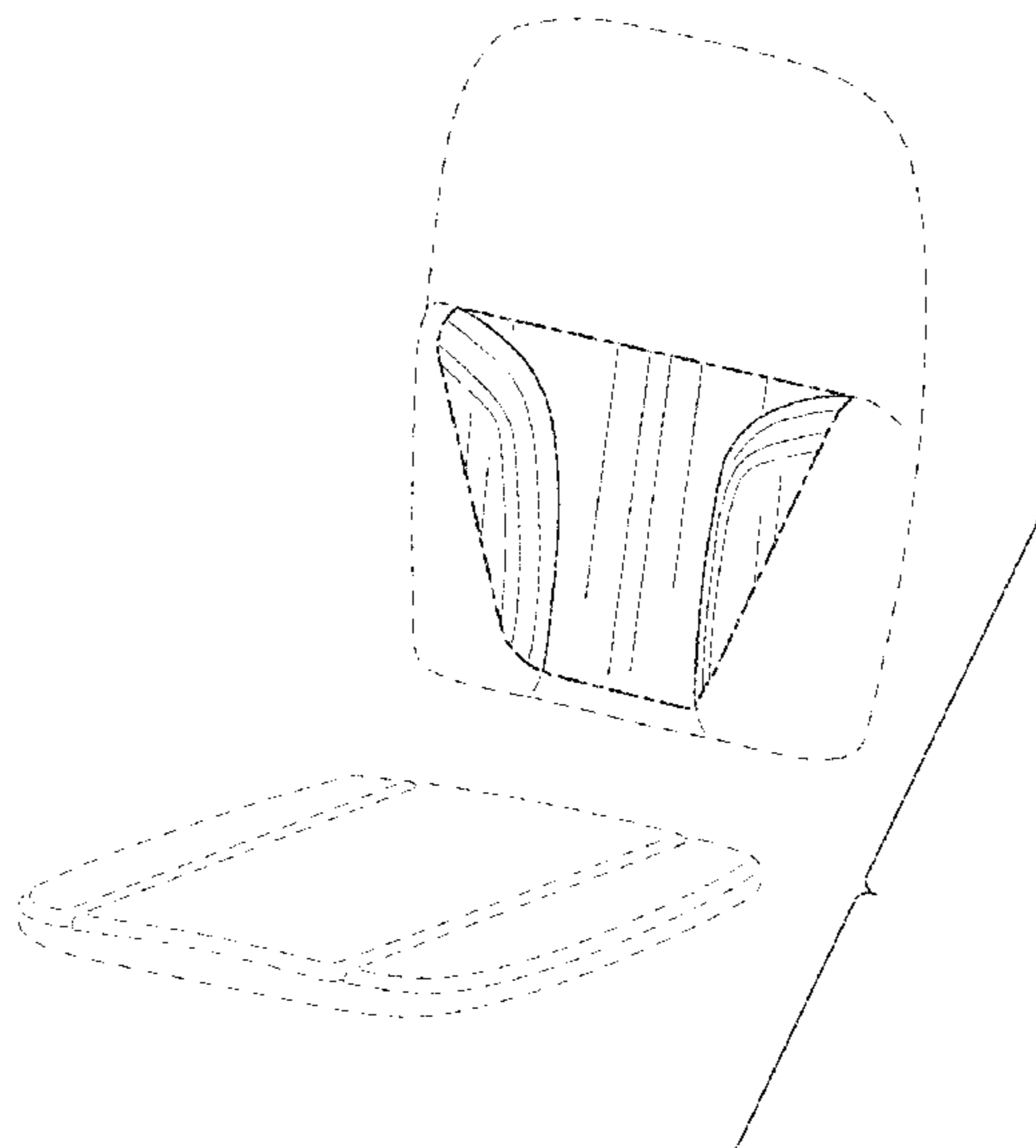
(57) **CLAIM**

The ornamental design for a chair cover, as shown and described.

DESCRIPTION

FIG. 1 is a perspective view of a chair cover showing my new design;
FIG. 2 is a front elevational view thereof;
FIG. 3 is a back elevational view thereof;
FIG. 4 is a left side elevational view thereof;
FIG. 5 is a right side elevational view thereof;
FIG. 6 is a top plan view thereof;
FIG. 7 is a bottom plan view thereof; and,
FIG. 8 is a perspective view thereof, shown in a position of use with an environmental chair.
The broken lines comprising same-sized dashes in the drawings are for the purpose of illustrating environment only and form no part of the claimed design.
The broken lines comprising alternating long and short dashes in the drawings define the boundary of the claim.

1 Claim, 8 Drawing Sheets



(56)

References Cited

U.S. PATENT DOCUMENTS

| | | | | |
|--------------|------|---------|-------------------|-------------------------|
| D518,319 | S * | 4/2006 | True | A47C 7/386 D6/366 |
| D588,390 | S | 3/2009 | Brill-Cass et al. | |
| D621,194 | S * | 8/2010 | Chiang | D6/601 |
| D646,517 | S | 10/2011 | Noonan | |
| D647,353 | S * | 10/2011 | Boenigk | B60N 2/60 D6/611 |
| D830,753 | S * | 10/2018 | Waterhouse | D6/716.1 |
| D839,651 | S * | 2/2019 | Green | A47C 7/26 D6/716.1 |
| D853,152 | S | 7/2019 | Chen | |
| 2005/0121962 | A1 * | 6/2005 | Gold | A47C 7/386 297/397 |
| 2006/0016013 | A1 | 1/2006 | Lord et al. | |
| 2006/0207029 | A1 | 9/2006 | Bell | |
| 2009/0139017 | A1 | 6/2009 | Anderson | |
| 2013/0093225 | A1 * | 4/2013 | Janowski | B60N 2/58 297/223 |
| 2016/0068089 | A1 * | 3/2016 | Huebner | B60N 2/60 297/228.13 |
| 2017/0055723 | A1 * | 3/2017 | Johnston | A47D 15/00 |
| 2017/0112288 | A1 * | 4/2017 | DuFresne | A47C 7/465 |

OTHER PUBLICATIONS

Official Action for U.S. Appl. No. 29/612,636, dated Jun. 27, 2019, 7 pages, Restriction Requirement.
 Ex Parte Quayle Action for U.S. Appl. No. 29/612,636, dated Sep. 19, 2019, 7 pages.

* cited by examiner

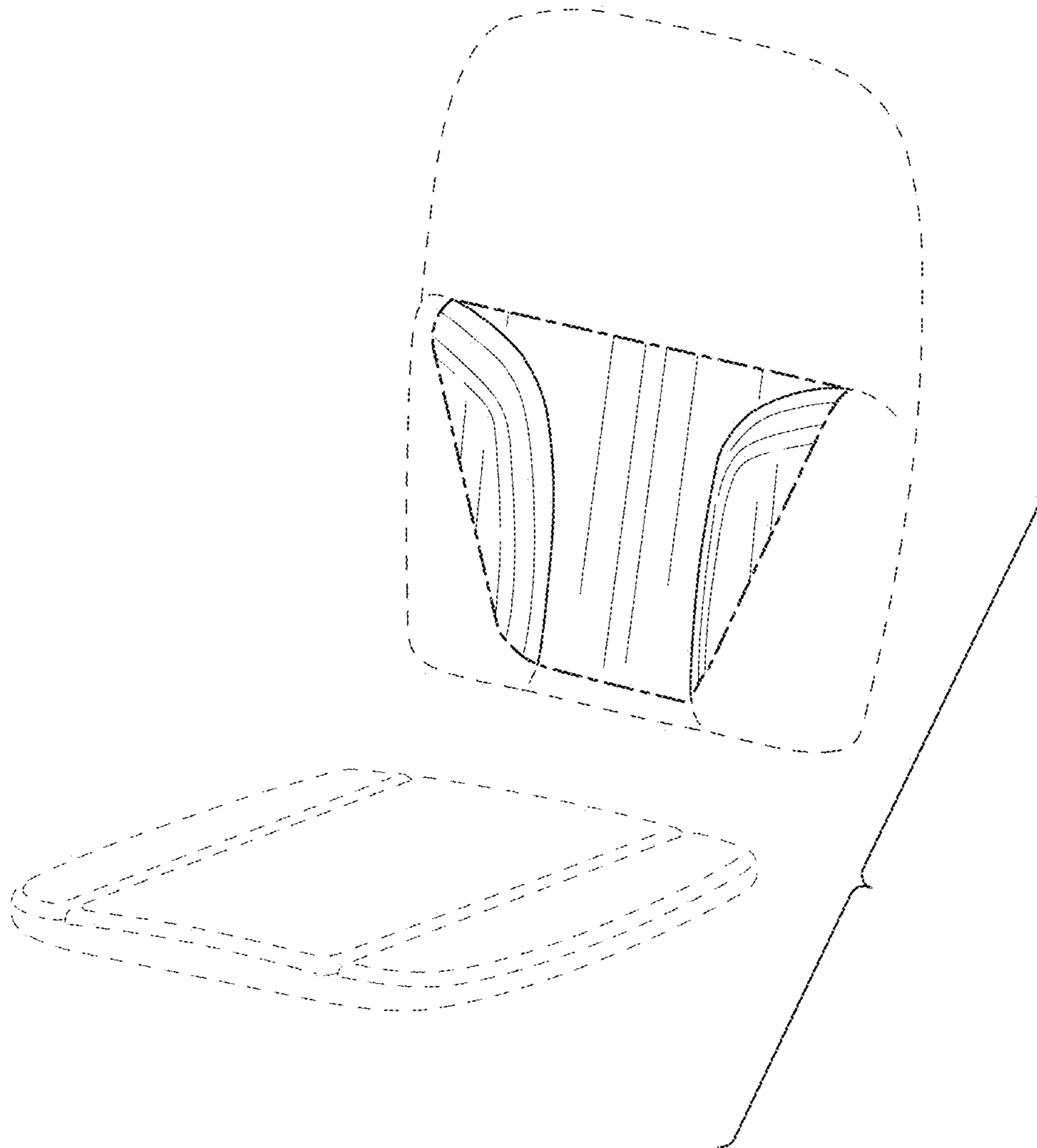


FIG. 1

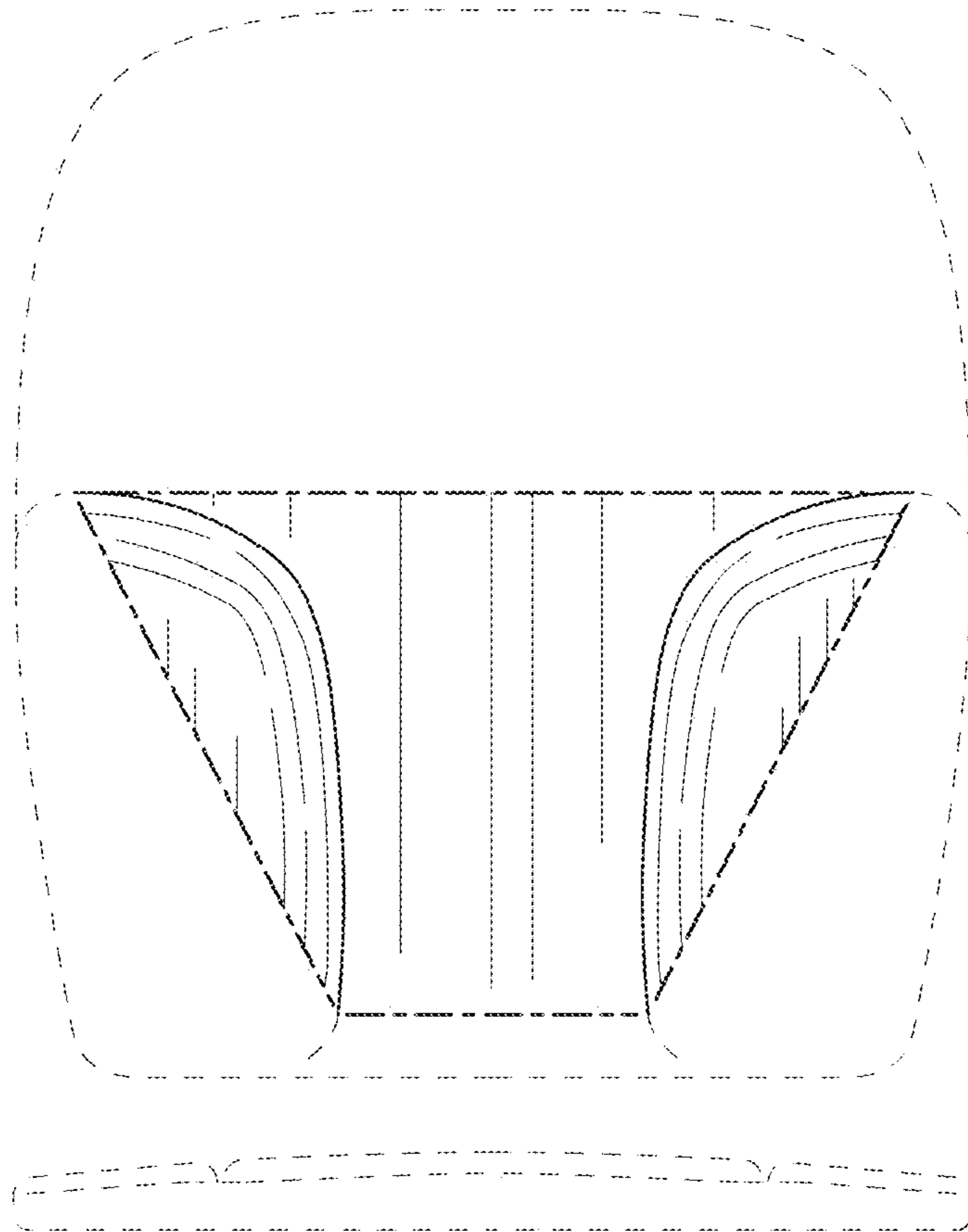


FIG. 2

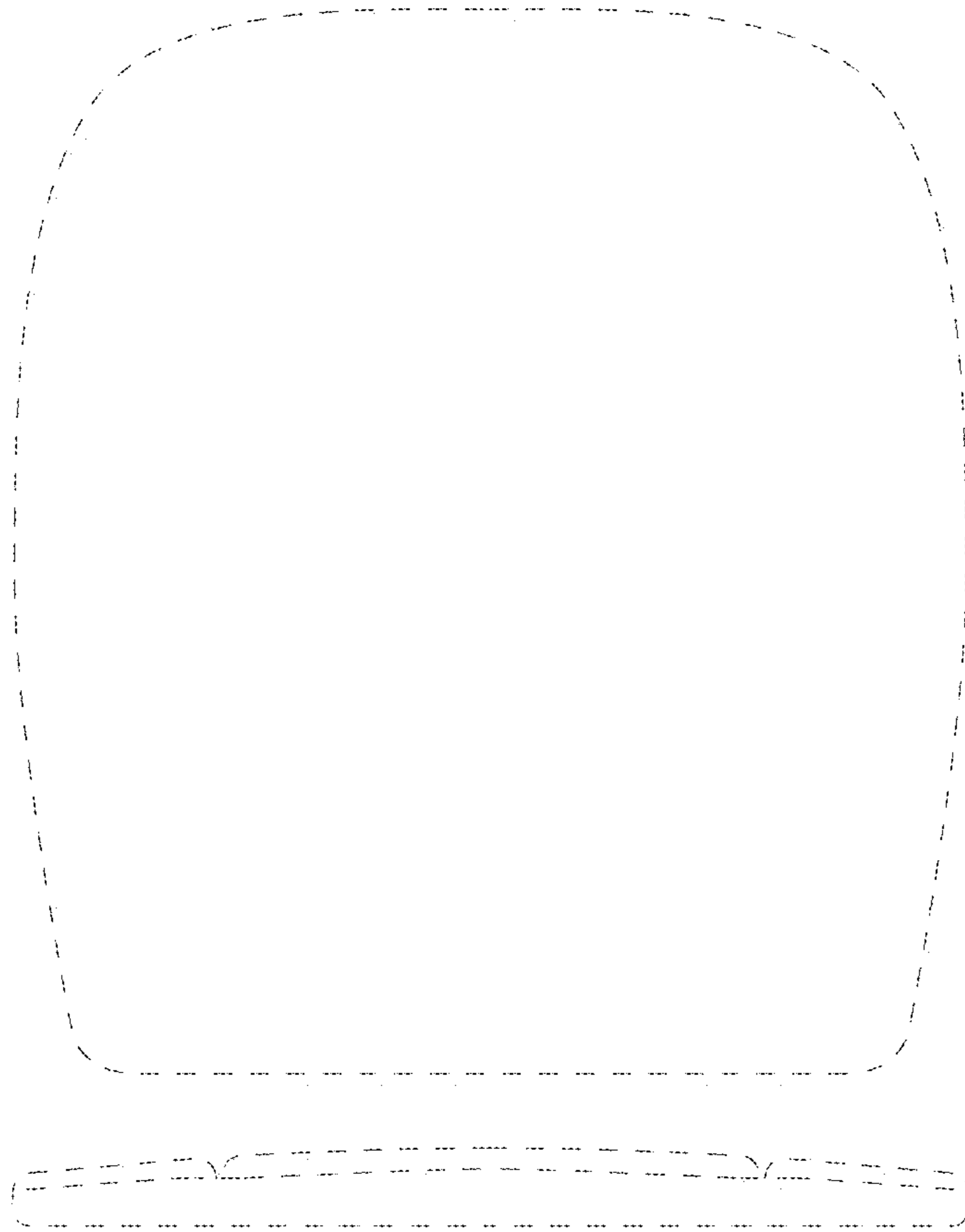


FIG. 3

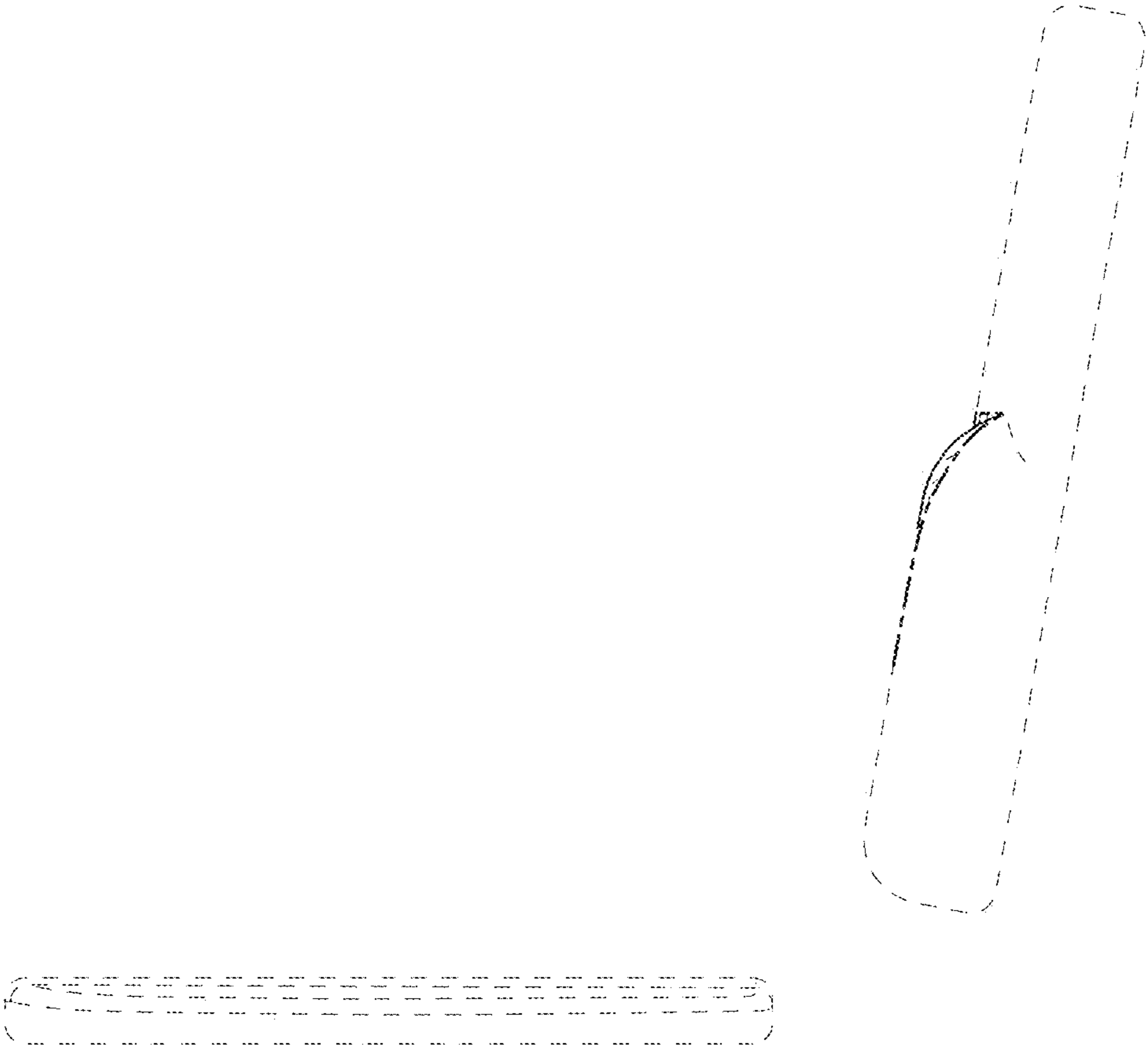


FIG. 4

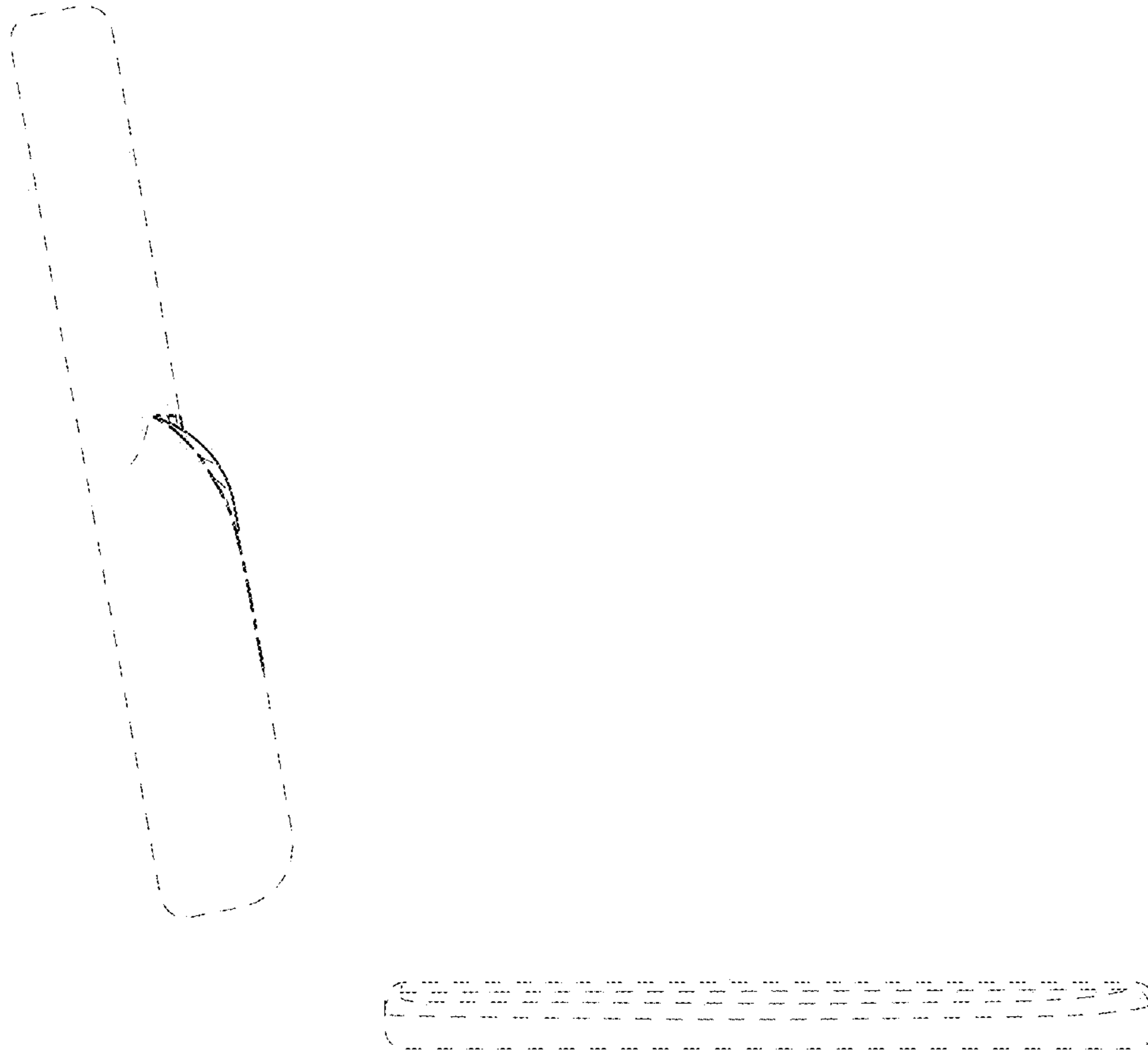


FIG. 5

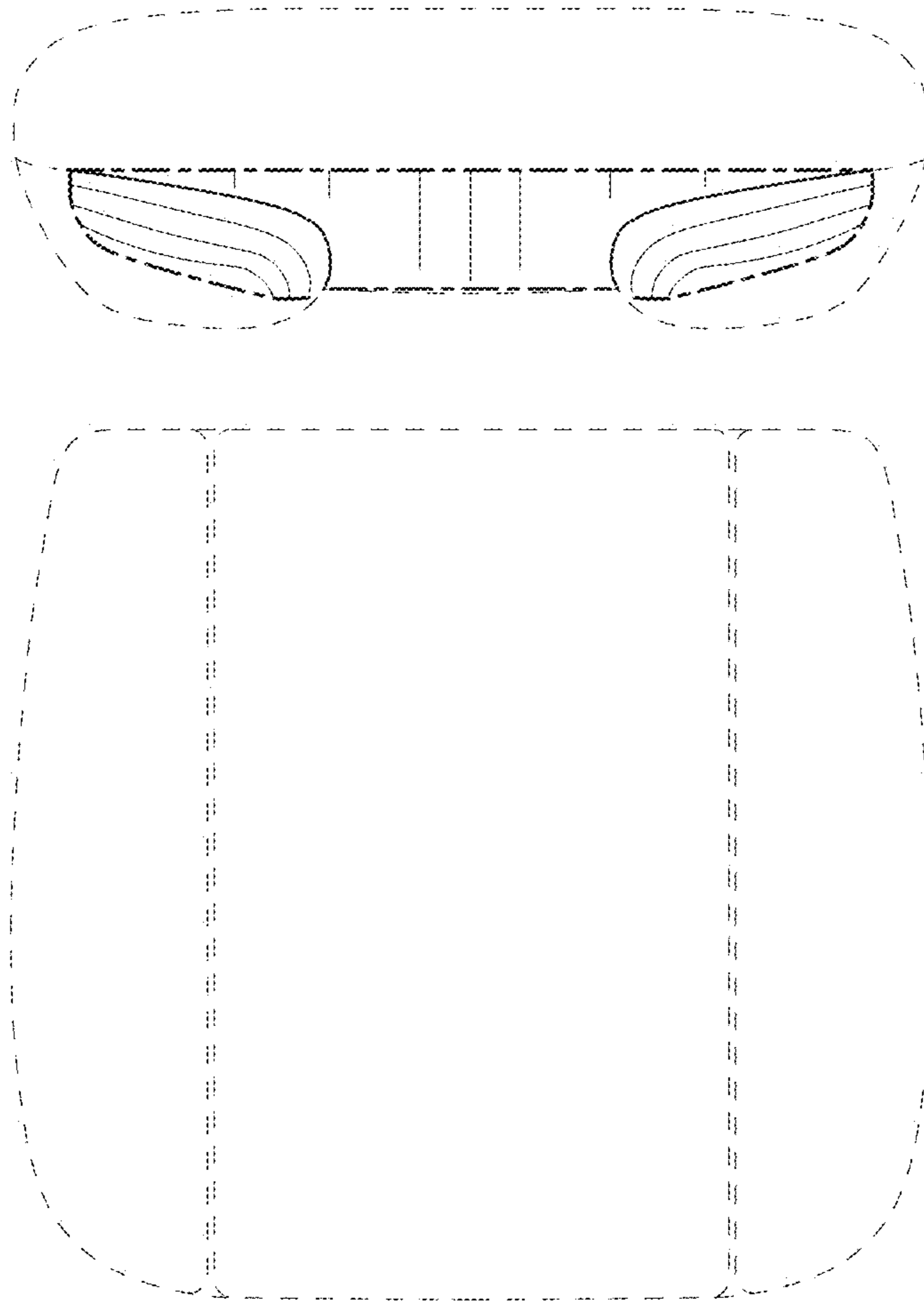


FIG. 6

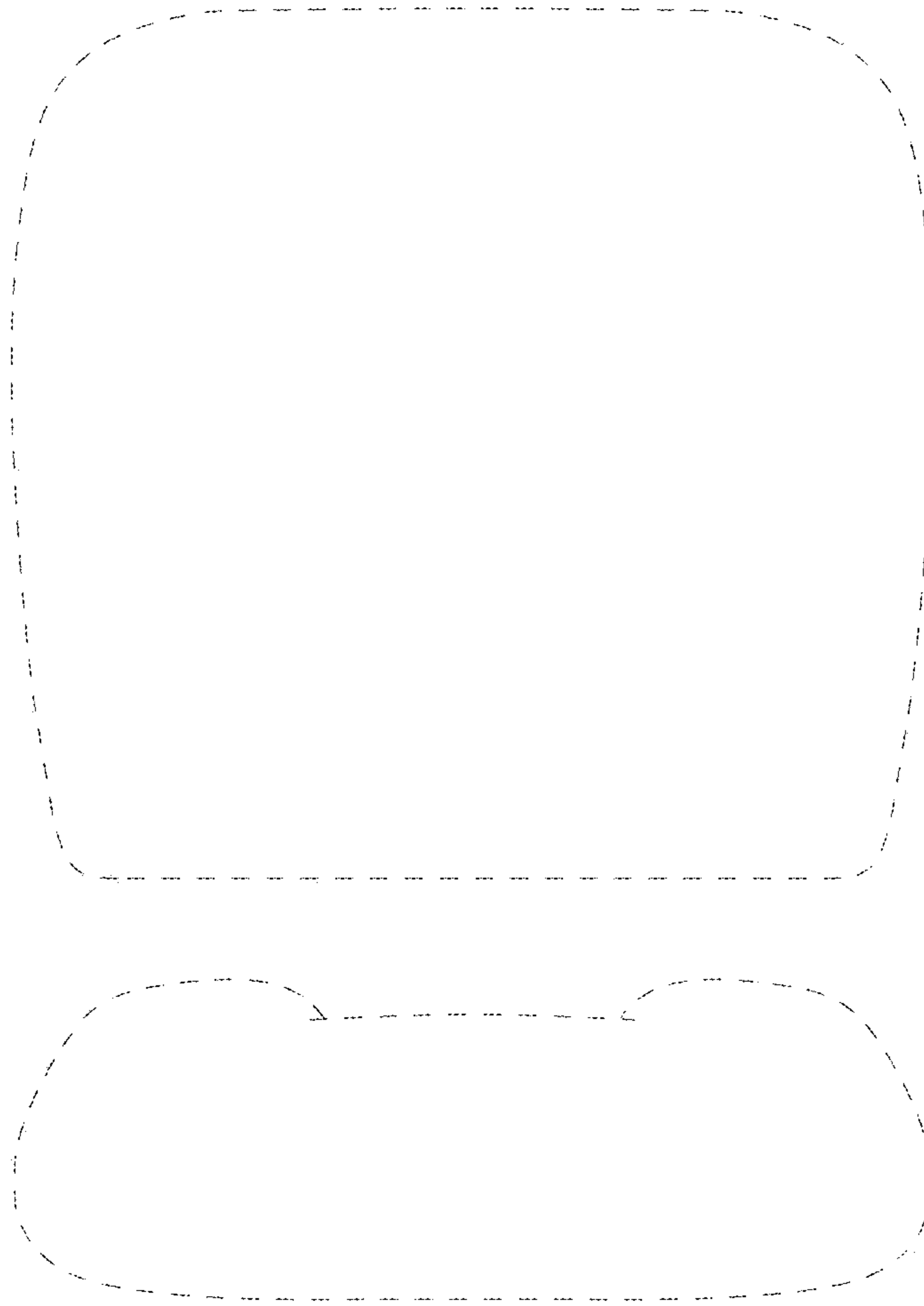


FIG. 7

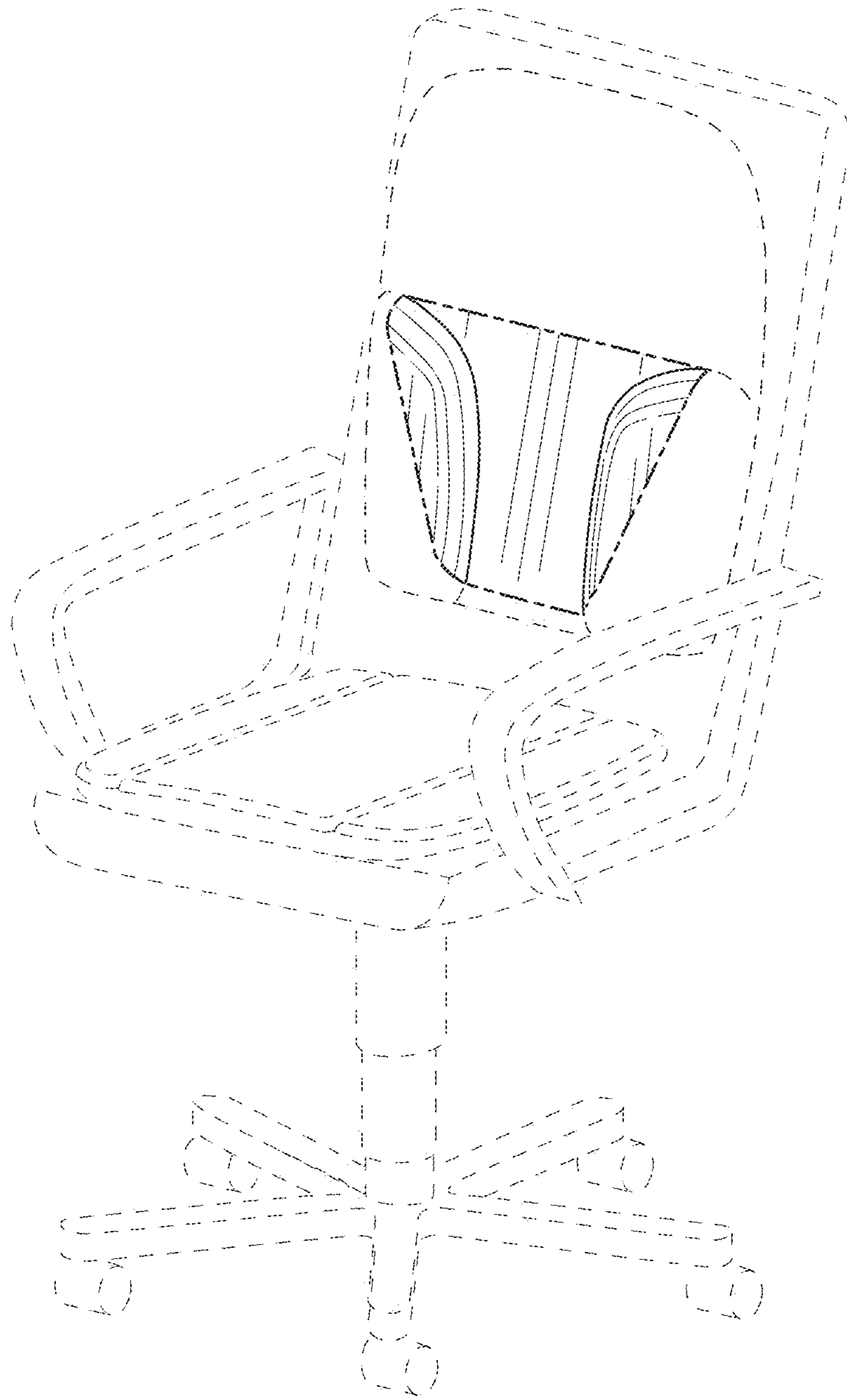


FIG. 8