



US00D884391S

(12) **United States Design Patent** (10) **Patent No.:** **US D884,391 S**
Wang (45) **Date of Patent:** **** May 19, 2020**

(54) **DUST COVER**

(71) Applicant: **XIAMEN XINGHENGXING
IMPORT & EXPORT CO., LTD.,**
Xiamen (CN)

(72) Inventor: **Jiben Wang**, Xiamen (CN)

(73) Assignee: **XIAMEN XINGCHENGXING
IMPORT & EXPORT CO., LTD.,**
Xiamen (CN)

(**) Term: **15 Years**

(21) Appl. No.: **29/721,734**

(22) Filed: **Jan. 23, 2020**

(51) **LOC (12) Cl.** **06-13**

(52) **U.S. Cl.**
USPC **D6/610**

(58) **Field of Classification Search**
USPC D6/610, 611, 596, 601–603, 615, 617,
D6/621; D7/332, 334–337; D12/195,
D12/222, 401–405, 416
CPC B60R 7/043; B60N 2/60
See application file for complete search history.

(56) **References Cited**

U.S. PATENT DOCUMENTS

D282,045 S *	1/1986	Pratt	D7/390
D386,349 S *	11/1997	Wysocky	D6/610
D455,151 S	4/2002	Lapresca		
6,435,081 B1 *	8/2002	Williams	A47J 37/0871 99/385
D472,760 S *	4/2003	Grumadaite	D7/390
D476,518 S *	7/2003	Doppelt	D6/610
D642,848 S *	8/2011	Van Note	D6/610
D680,359 S *	4/2013	Studwell	D6/610
D702,973 S *	4/2014	Norland	D6/610
D819,368 S *	6/2018	Zemel	D6/610

D867,789 S *	11/2019	Fu	D6/610
2001/0028023 A1 *	10/2001	Kochanski	A47B 21/0314 248/298.1
2010/0058660 A1 *	3/2010	Williams	A01G 9/02 47/86

OTHER PUBLICATIONS

“KITCHENAID & Kenwood KMIX food Mixer COVER with Pale Pink edge”, Retrieved Jan. 20, 2020]. Retrieved from Internet, <https://www.ebay.com.au/itm/KITCHENAID-Kenwood-KMIX-food-Mixer-COVER-with-Pale-Pink-edge/184130507296?hash=item2adf089220:g:J48AAOSwyMVeIHux>.

* cited by examiner

Primary Examiner — Katrina A Betton

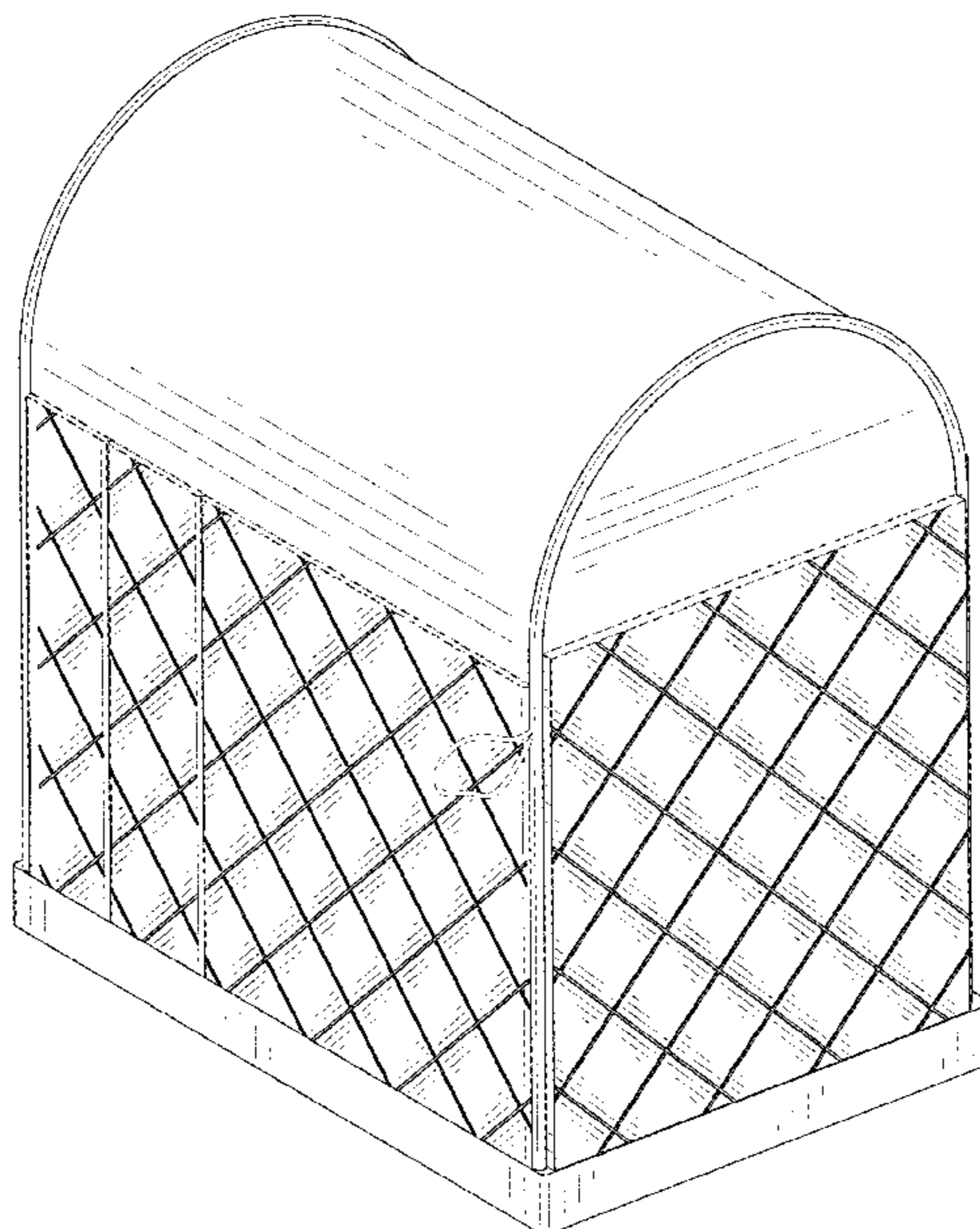
(57) **CLAIM**

The ornamental design for a dust cover, as shown and described.

DESCRIPTION

FIG. 1 is a perspective view of a dust cover showing my new design;
FIG. 2 is another perspective view thereof;
FIG. 3 is another perspective view thereof;
FIG. 4 is a front elevational view thereof;
FIG. 5 is a rear elevational view thereof;
FIG. 6 is a left side elevational view thereof;
FIG. 7 is a right side elevational view thereof;
FIG. 8 is a top plan view thereof; and,
FIG. 9 is a bottom plan view thereof.
The broken lines in the drawings depict portions of the dust cover that form no part of the claimed design.

1 Claim, 9 Drawing Sheets



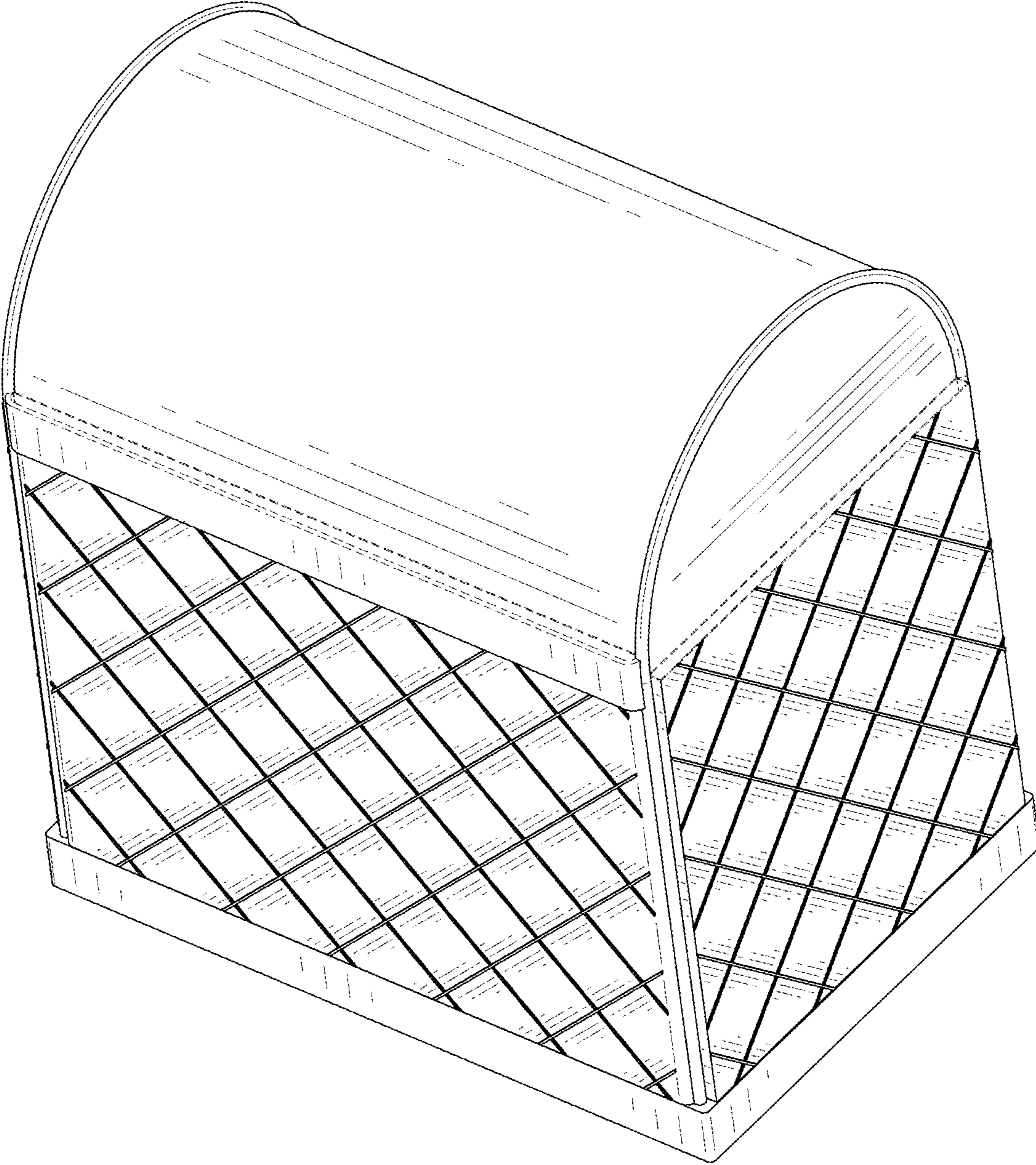


FIG. 1

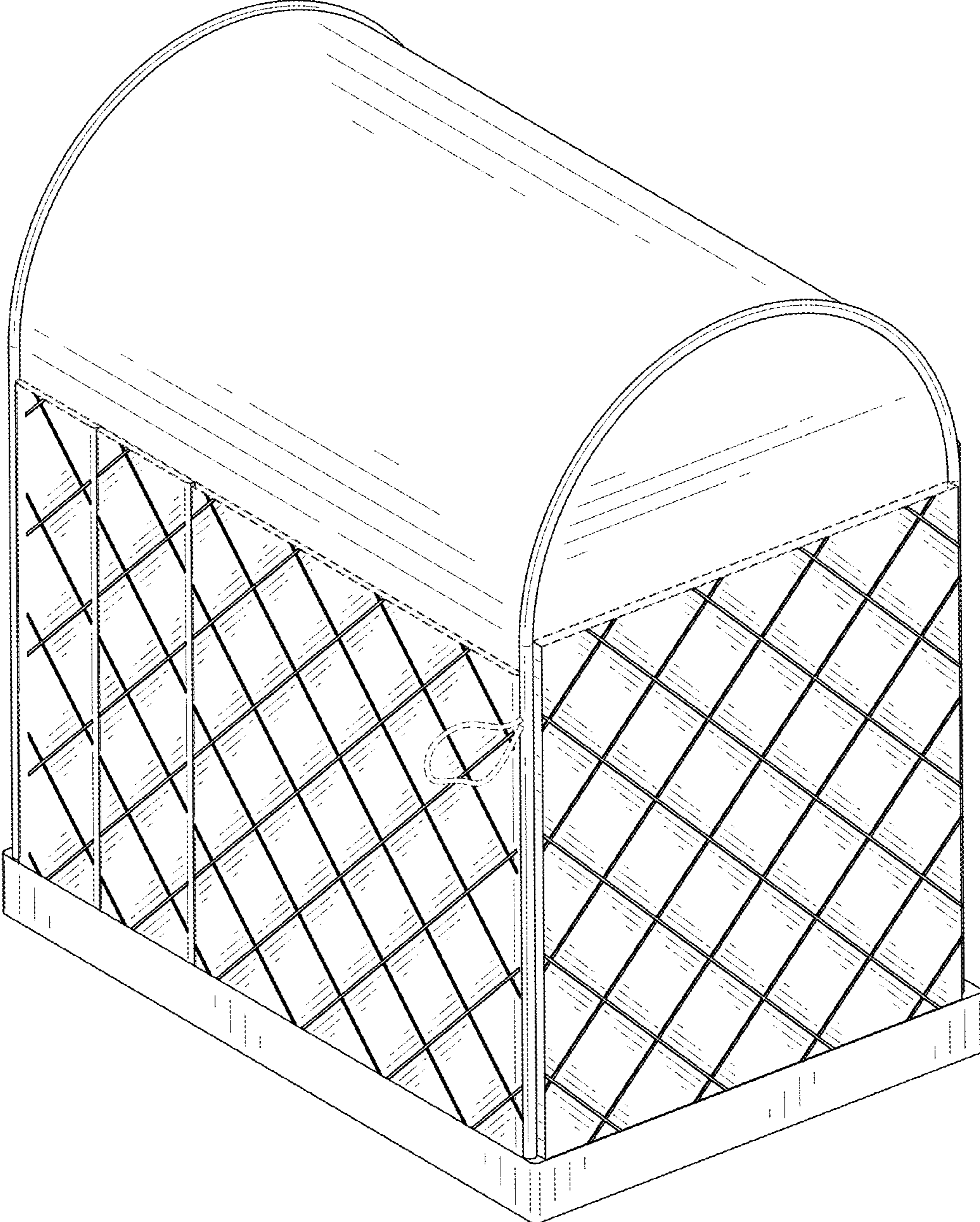


FIG. 2

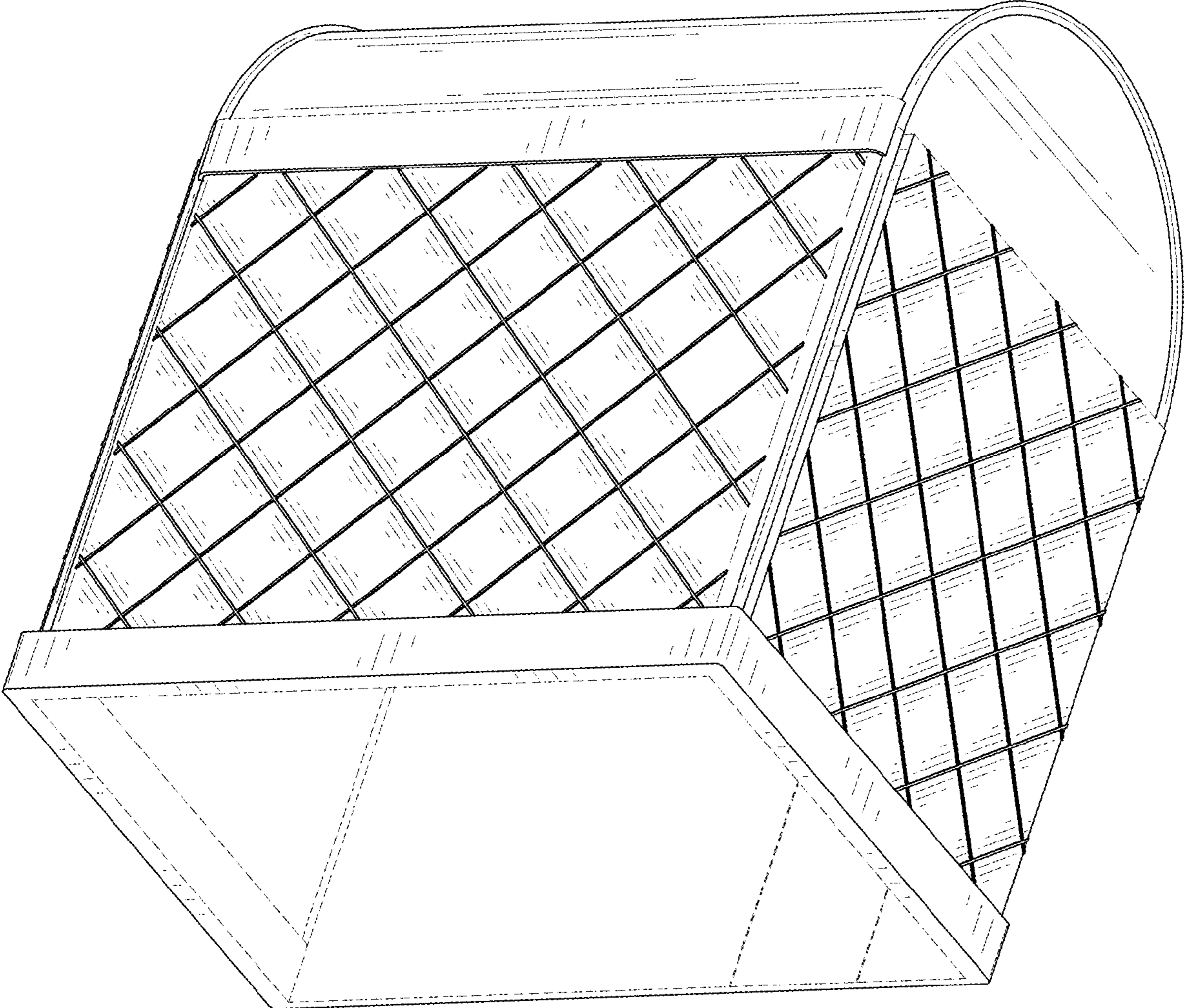


FIG. 3

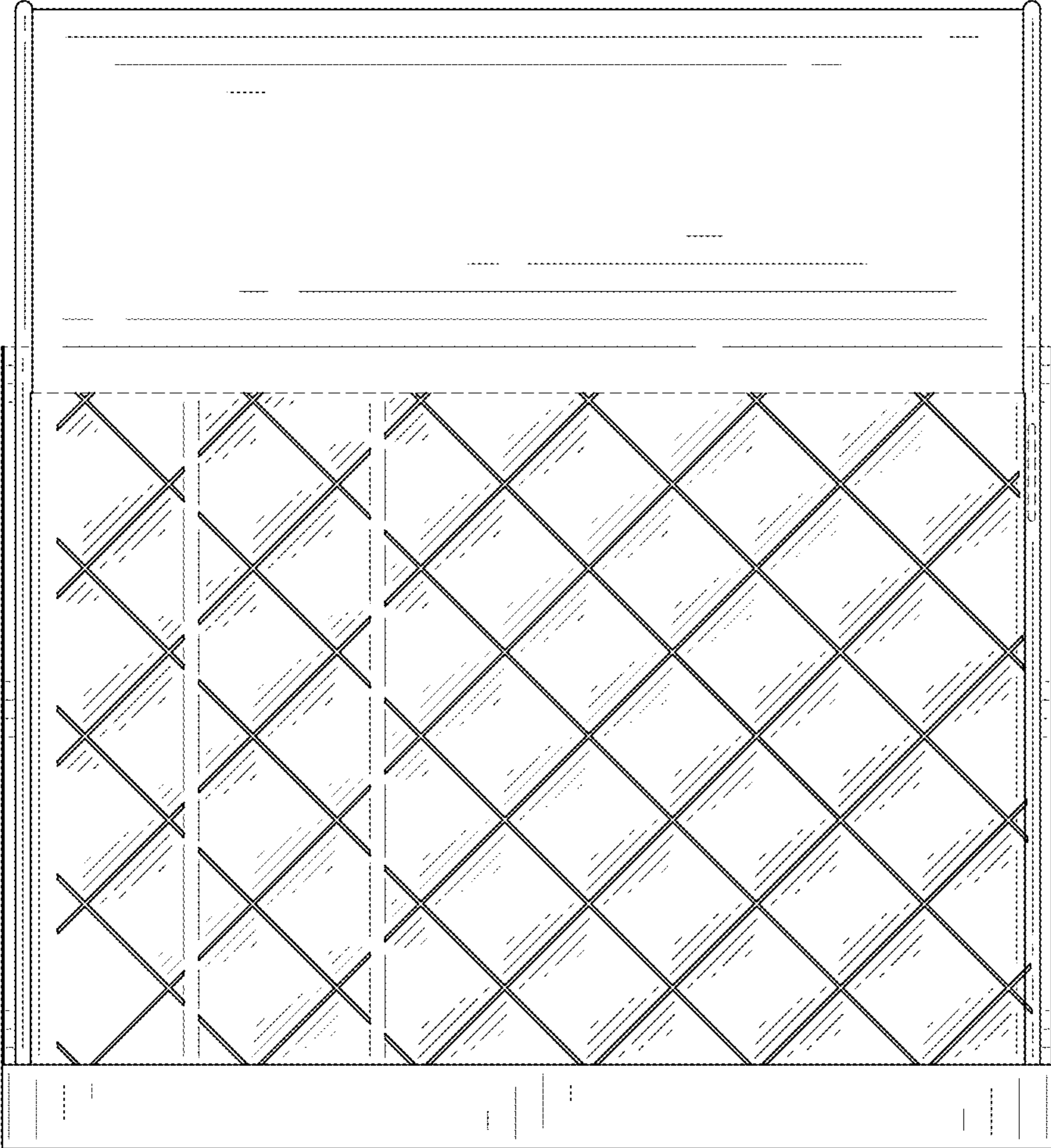


FIG. 4

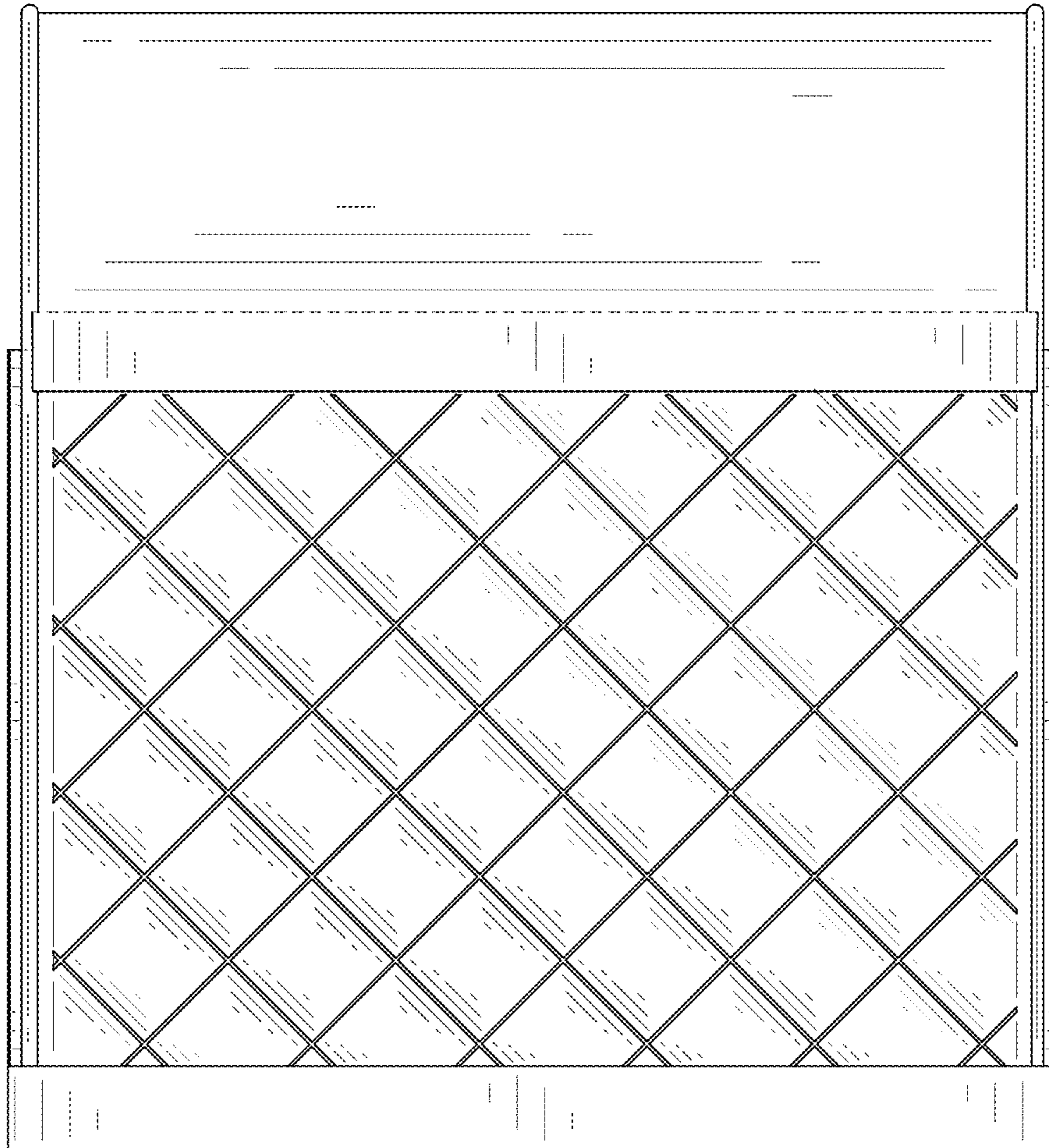


FIG. 5

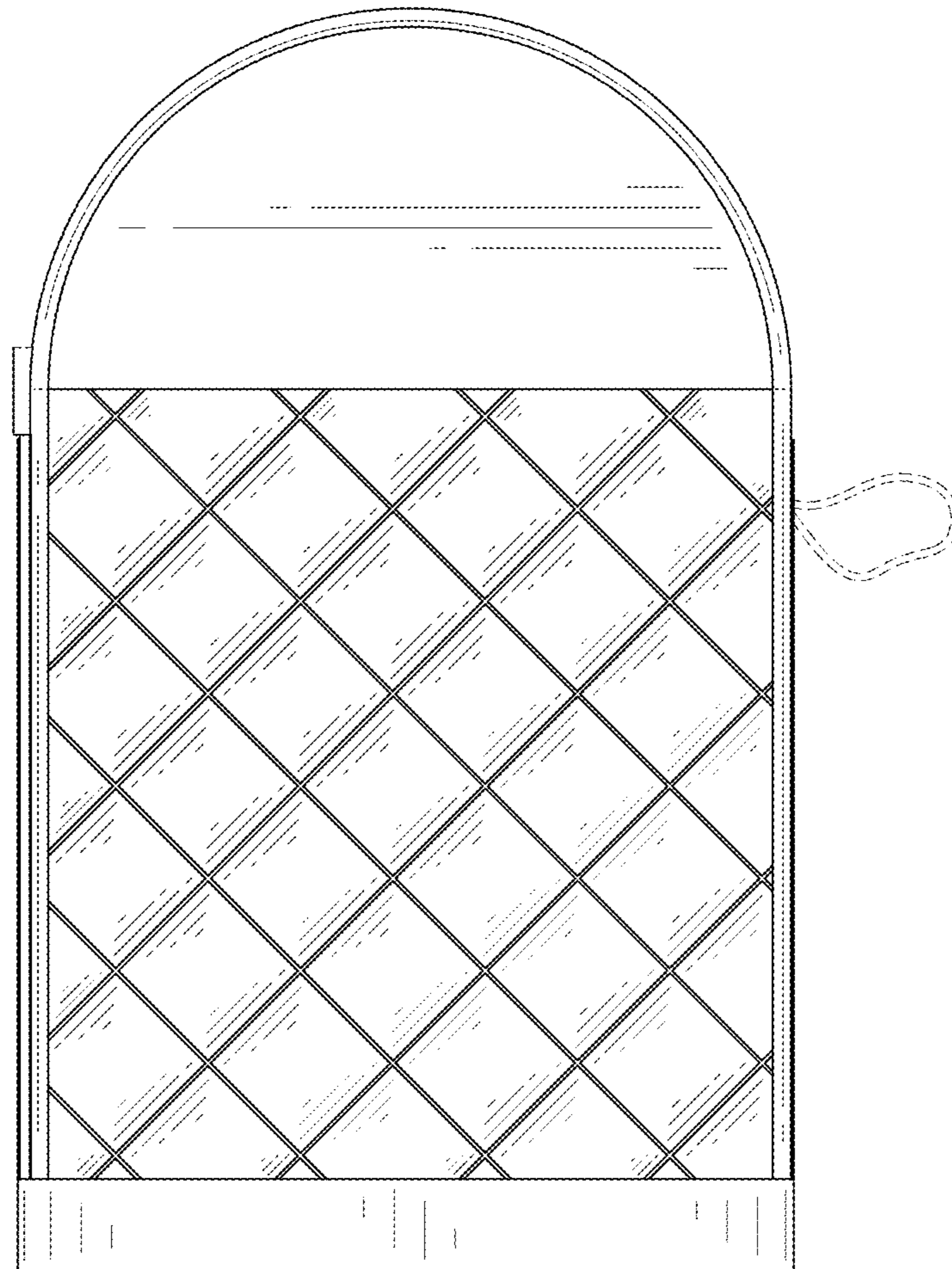


FIG. 6

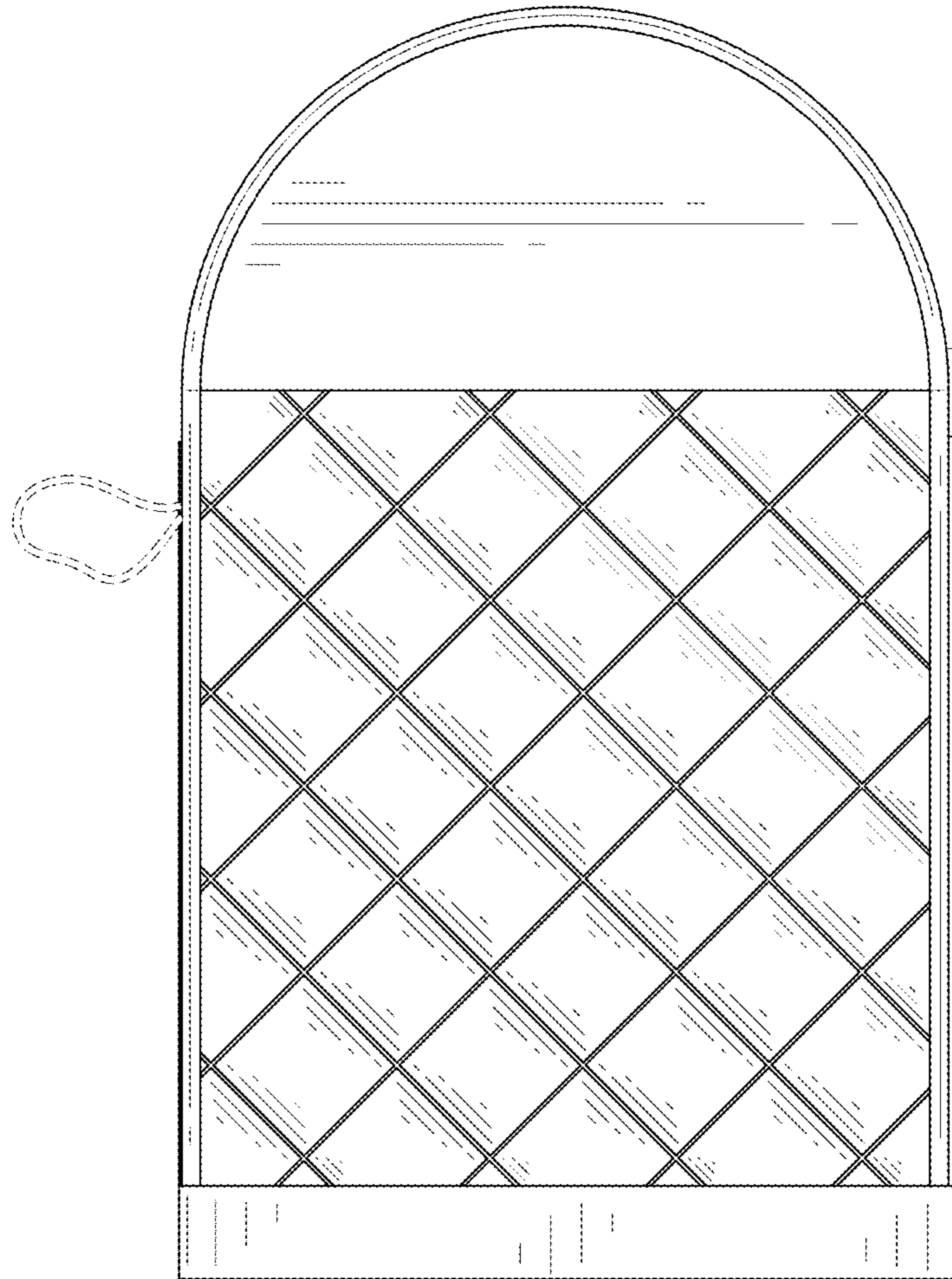


FIG. 7

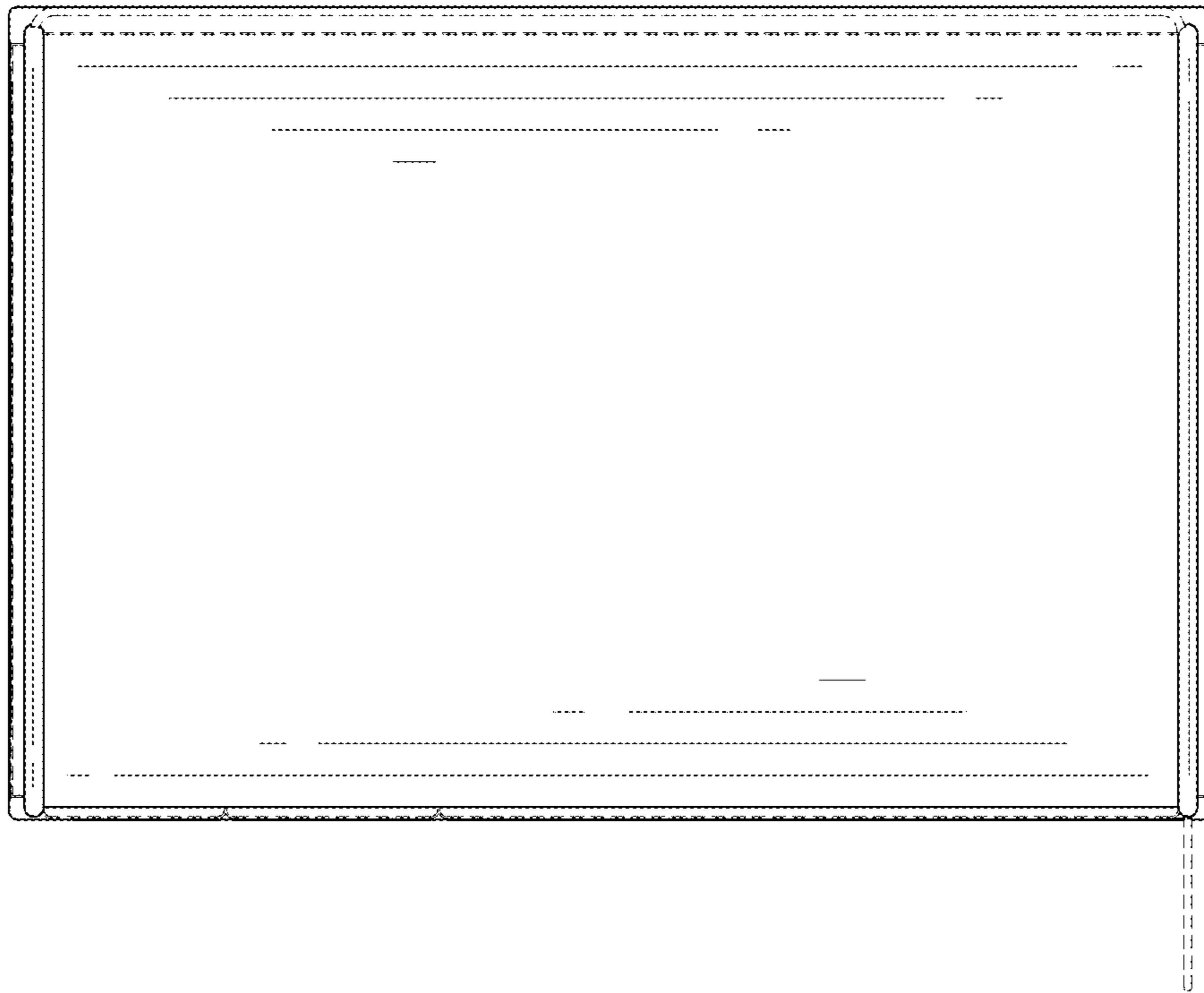


FIG. 8



FIG. 9