



US00D884390S

(12) **United States Design Patent** (10) **Patent No.:** **US D884,390 S**
Wang (45) **Date of Patent:** **** May 19, 2020**

(54) **DUST COVER**

(71) Applicant: **XIAMEN XINGHENGXING
IMPORT & EXPORT CO., LTD.,**
Xiamen (CN)

(72) Inventor: **Jiben Wang**, Xiamen (CN)

(73) Assignee: **XIAMEN XINGHENGXING
IMPORT & EXPORT CO., LTD.,**
Xiamen (CN)

(**) Term: **15 Years**

(21) Appl. No.: **29/721,232**

(22) Filed: **Jan. 19, 2020**

(51) **LOC (12) Cl.** **06-13**

(52) **U.S. Cl.**
USPC **D6/610**

(58) **Field of Classification Search**
USPC D6/610, 611, 596, 601–603, 615, 617,
D6/621; D7/332, 334–337; D12/195,
D12/222, 401–405, 416
CPC B60R 7/043; B60N 2/60
See application file for complete search history.

(56) **References Cited**

U.S. PATENT DOCUMENTS

D282,045 S * 1/1986 Pratt D7/390
D386,349 S * 11/1997 Wysocky D6/610
6,435,081 B1 * 8/2002 Williams A47J 37/0871
99/385
D472,760 S * 4/2003 Grumadaite D7/390
D476,518 S * 7/2003 Doppelt D6/610
D642,848 S * 8/2011 Van Note D6/610
D680,359 S * 4/2013 Studwell D6/610
D702,973 S * 4/2014 Norland D6/610

D819,368 S * 6/2018 Zemel D6/610
D867,789 S * 11/2019 Fu D6/610
2001/0028023 A1 * 10/2001 Kochanski A47B 21/0314
248/298.1
2010/0058660 A1 * 3/2010 Williams A01G 9/02
47/86

OTHER PUBLICATIONS

“Luxja Dust Cover for 4.3 Litre and All 4.8 Litre KitchenAid Mixers, Cloth Cover with Pockets for KitchenAid Mixers and Accessories (Fit for 4.3 Litre and 4.8 Litre KitchenAid Mixer), Grey Dots”, Retrieved Jan. 17, 2020]. Retrieved from Internet, <https://www.amazon.co.uk/Luxja-KitchenAid-Mixers-Pockets-Accessories/dp/B07T5SZ3N8/>.

(Continued)

Primary Examiner — Katrina A Betton

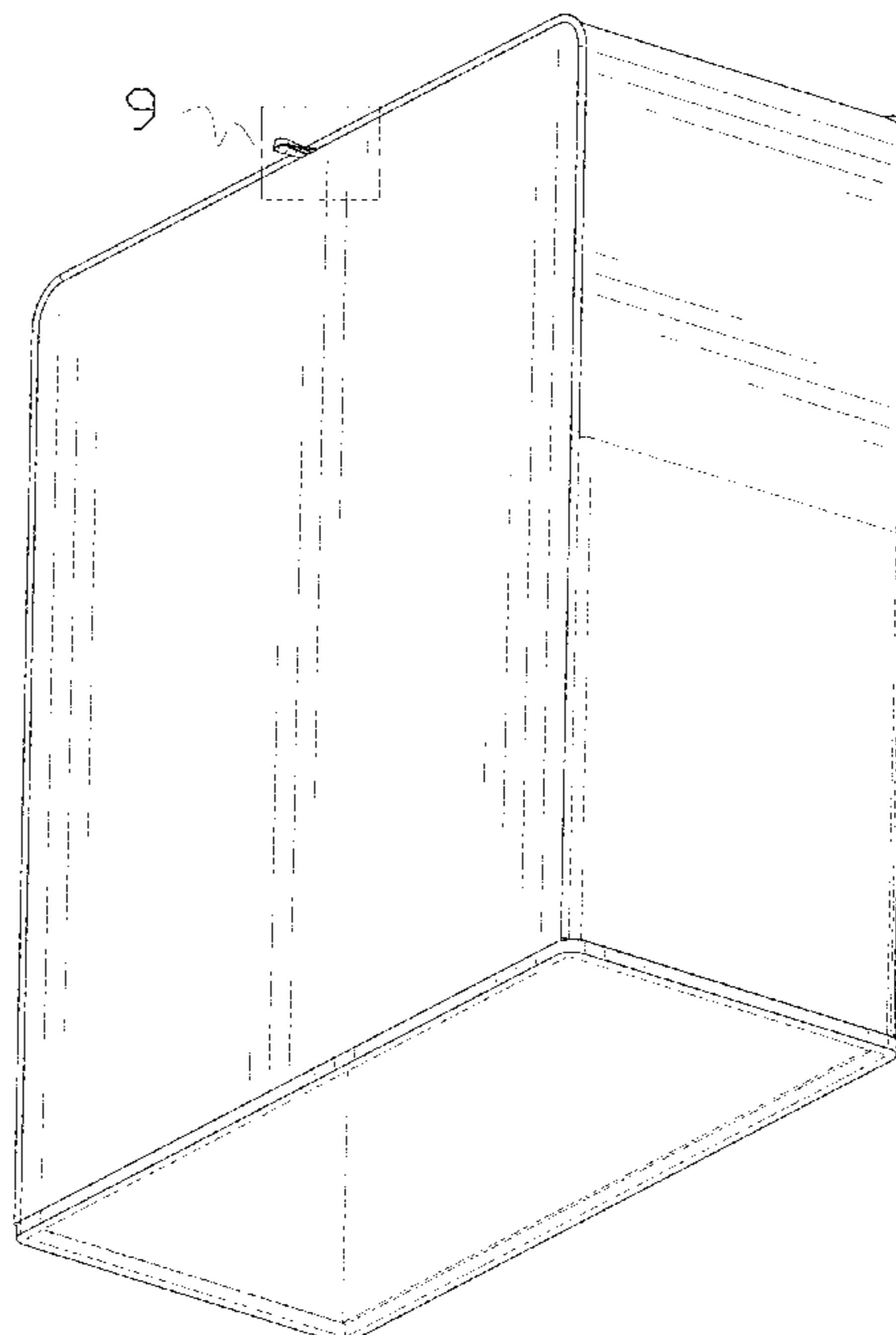
(57) **CLAIM**

The ornamental design for a dust cover, as shown and described.

DESCRIPTION

FIG. 1 is a perspective view of a dust cover showing my new design;
FIG. 2 is another perspective view thereof;
FIG. 3 is a front elevational view thereof;
FIG. 4 is a rear elevational view thereof;
FIG. 5 is a left side elevational view thereof;
FIG. 6 is a right side elevational view thereof;
FIG. 7 is a top plan view thereof;
FIG. 8 is a bottom plan view thereof;
FIG. 9 is an enlarged view of portion 9 shown in FIG. 1; and,
FIG. 10 is an enlarged view of portion 10 shown in FIG. 2.
The broken lines in the drawings depict portions of the dust cover that form no part of the claimed design.

1 Claim, 10 Drawing Sheets



(56)

References Cited

OTHER PUBLICATIONS

“Luxja Dust Cover for 4.3 Litre and 4.8 Litre KitchenAid Mixers, Cover (Cloudy Top) with Pockets for KitchenAid Mixers and Accessories, Black”, Retrieved Jan. 17, 2020]. Retrieved from Internet, <https://www.amazon.co.uk/Luxja-KitchenAid-Mixers-Pockets-Accessories/dp/B07X8487G1/>.

“Mixer Cover/Kitchen Dust-Proof Mixer Cover with Organizer Bag, Protective Cover for Juicer, Coffeemaker, Food Processor Dust Cover(36×28×40cm, Colorful Leaves)”, Retrieved Jan. 17, 2020]. Retrieved from Internet, <https://www.amazon.co.uk/Dust-Proof-Organizer-Protective-Coffeemaker-36x28x40cm/dp/B07XSLQSZT/>.

* cited by examiner

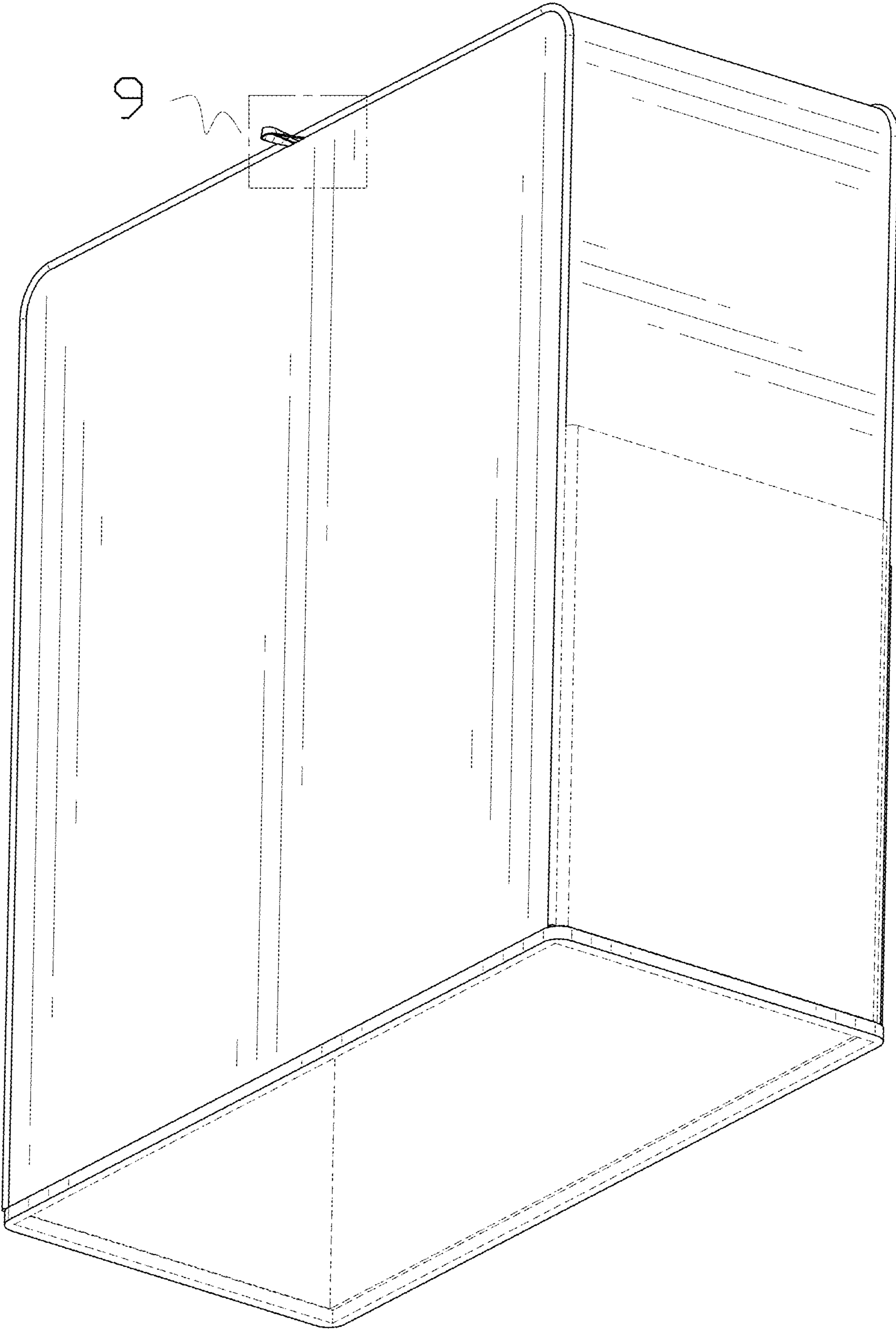


FIG. 1

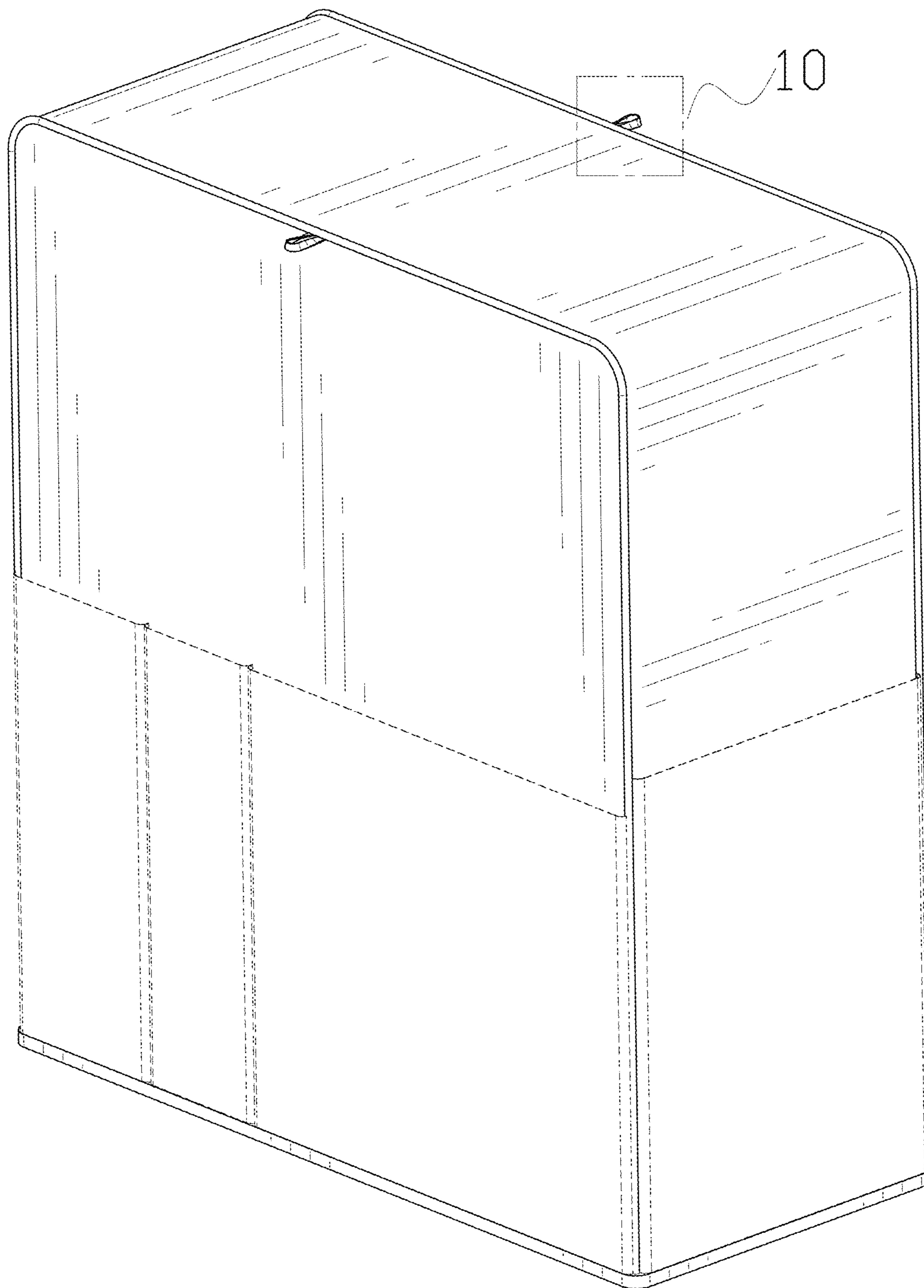


FIG. 2

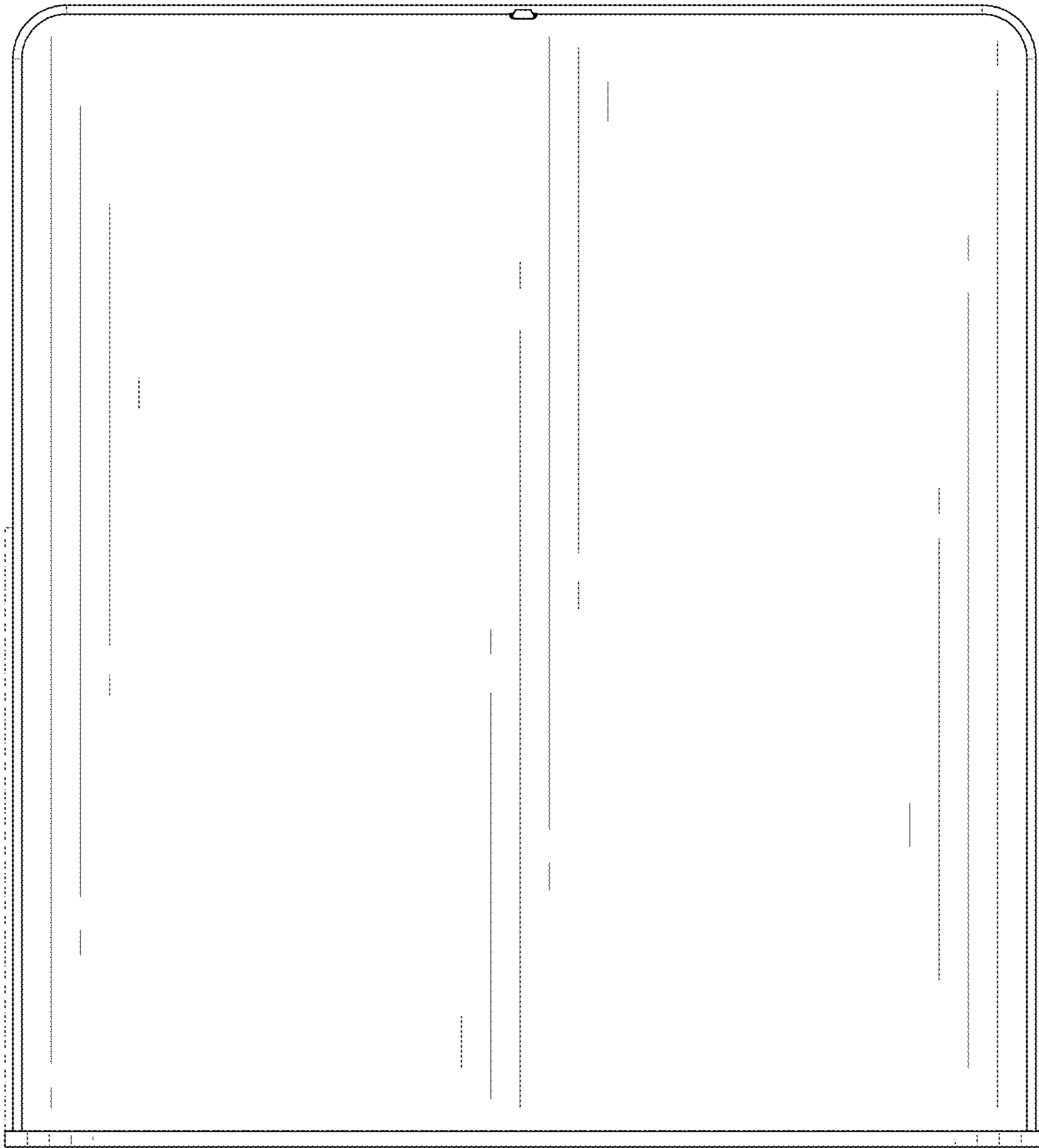


FIG. 3

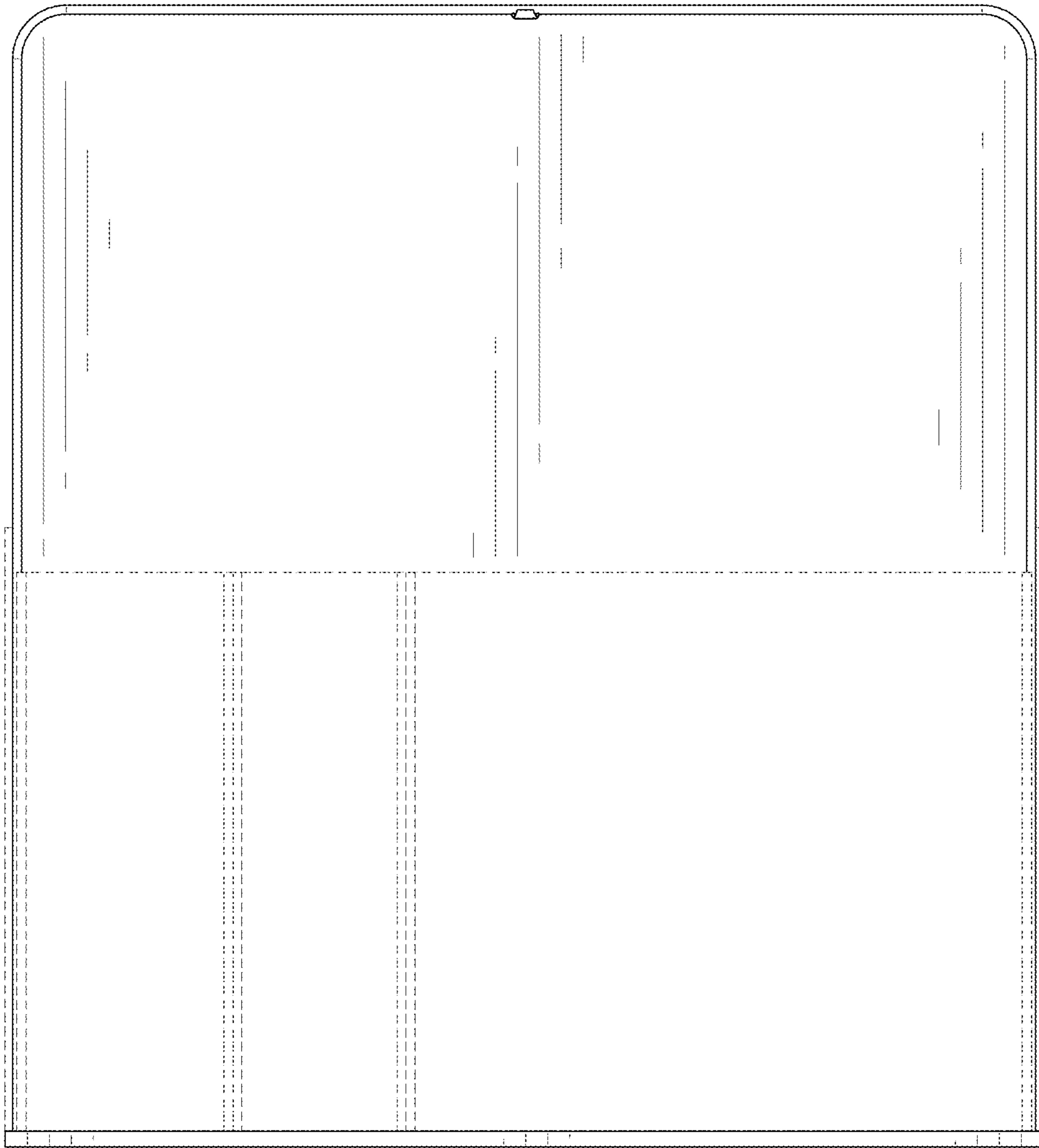


FIG. 4

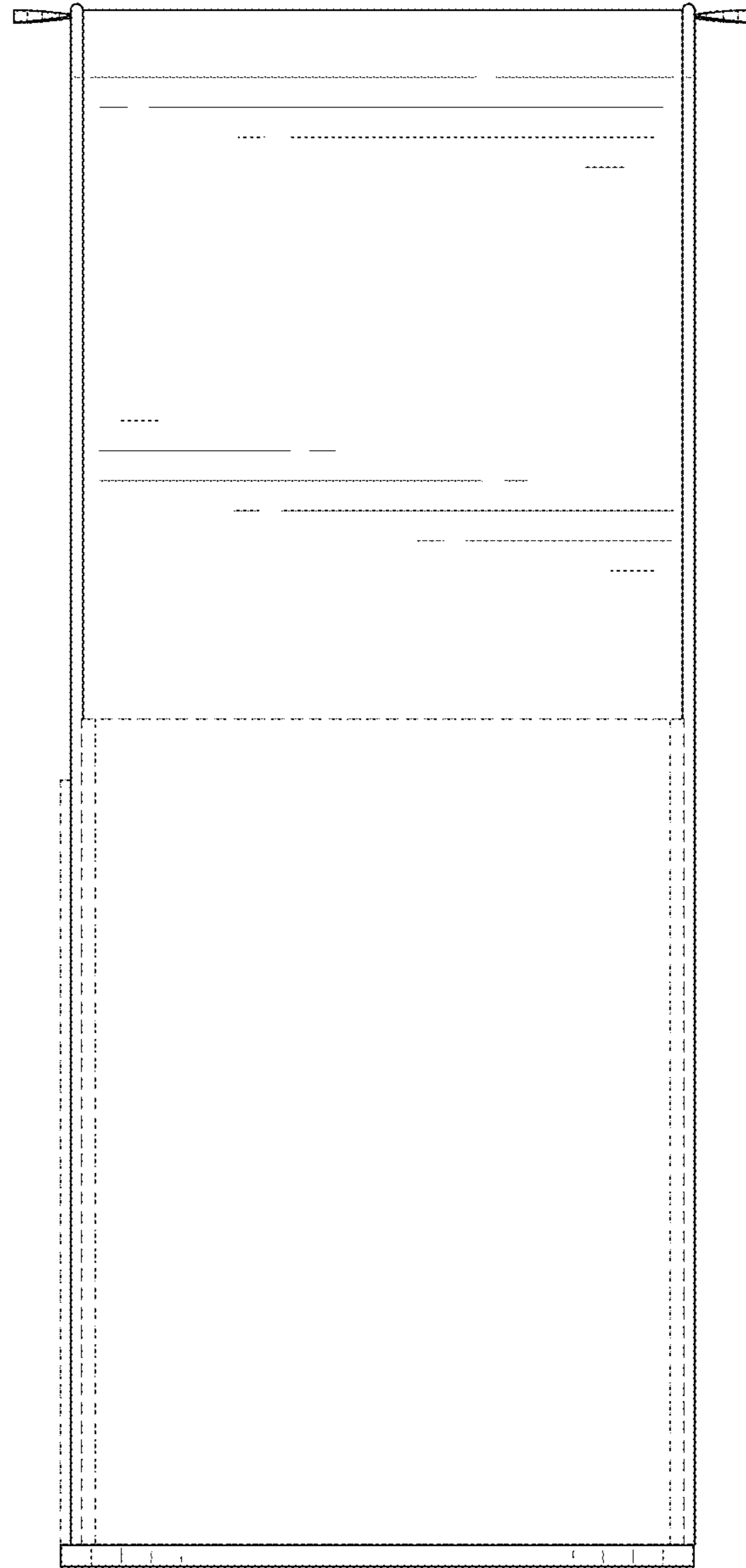


FIG. 5

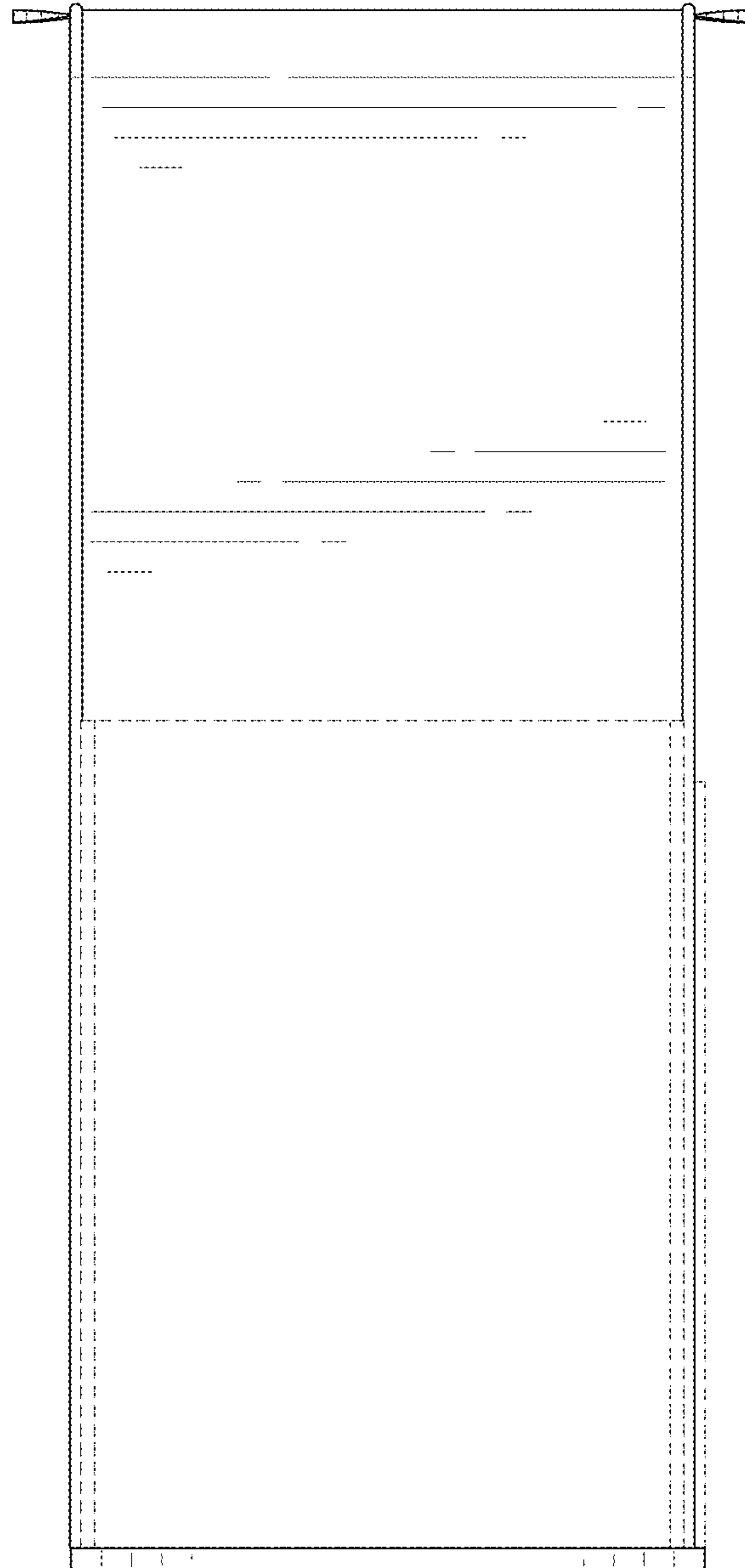


FIG. 6

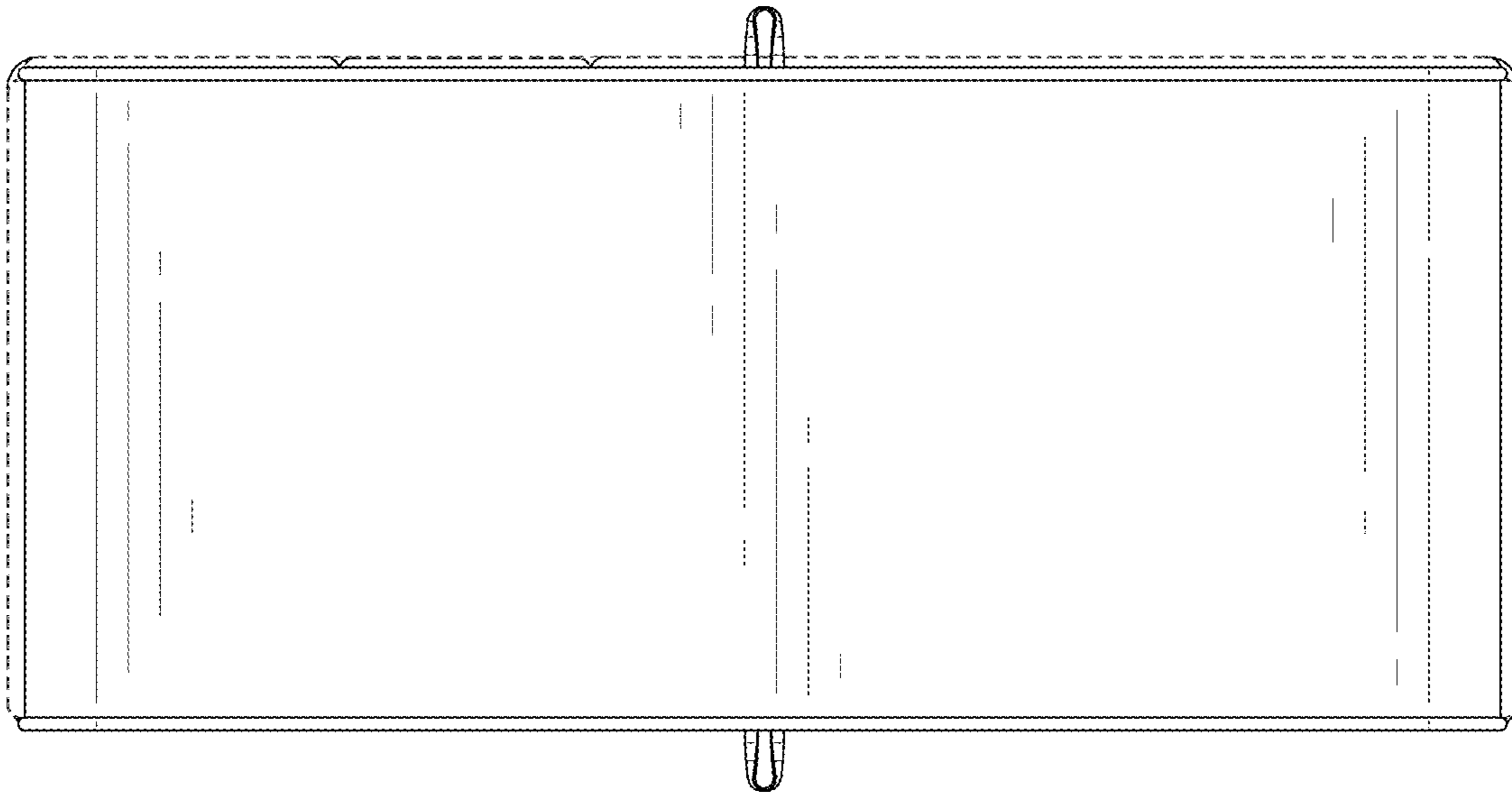


FIG. 7

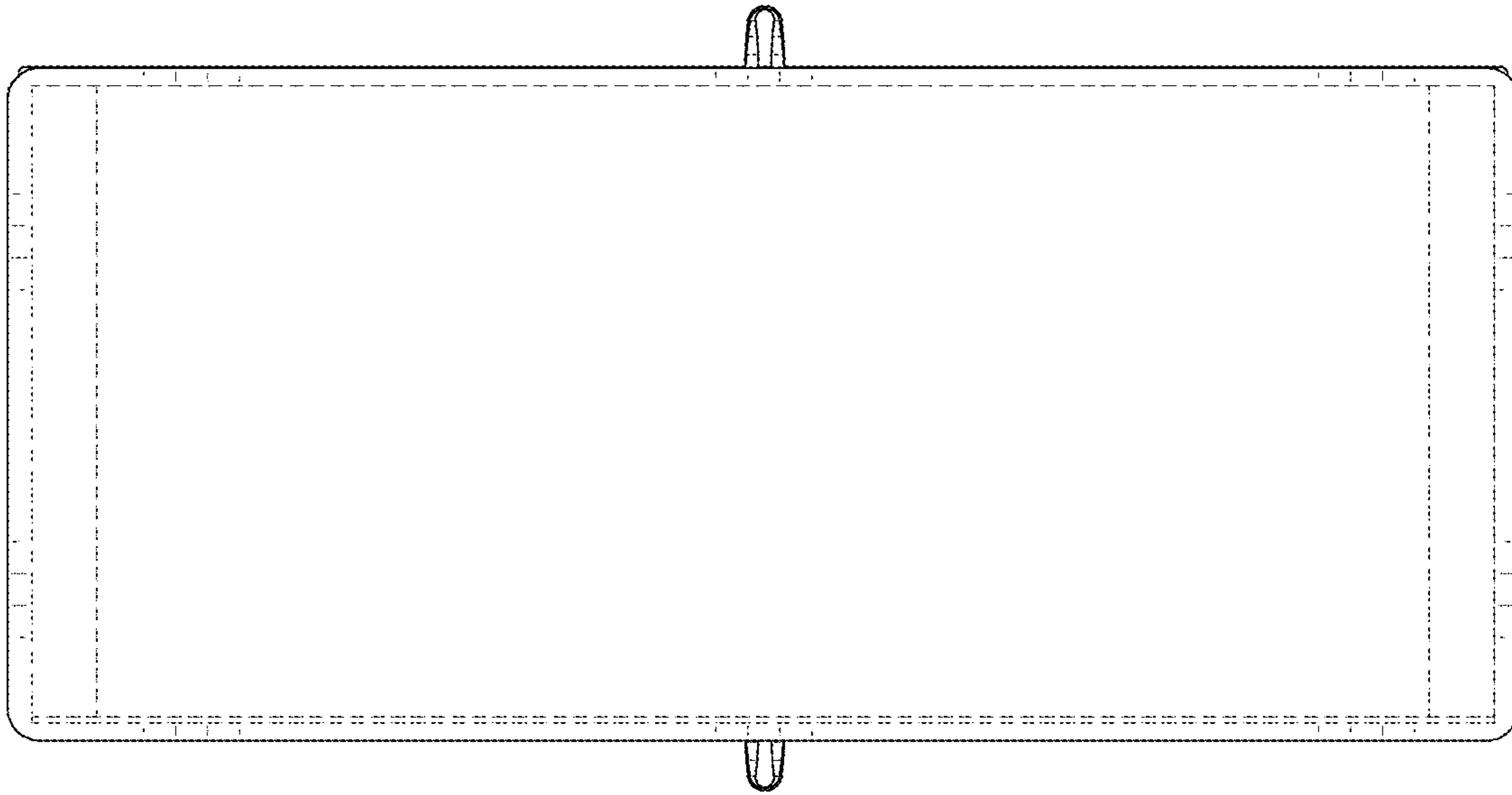


FIG. 8

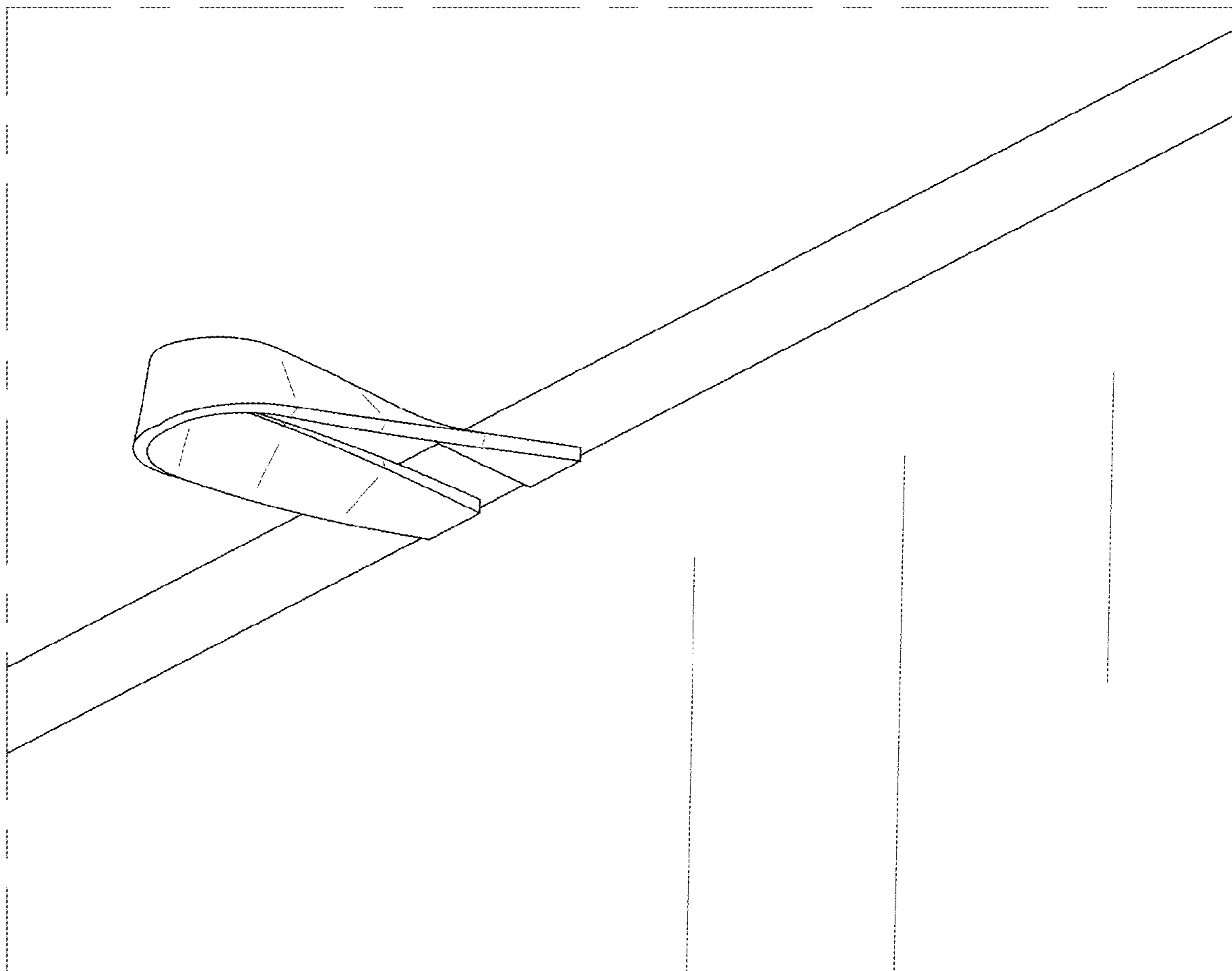


FIG. 9

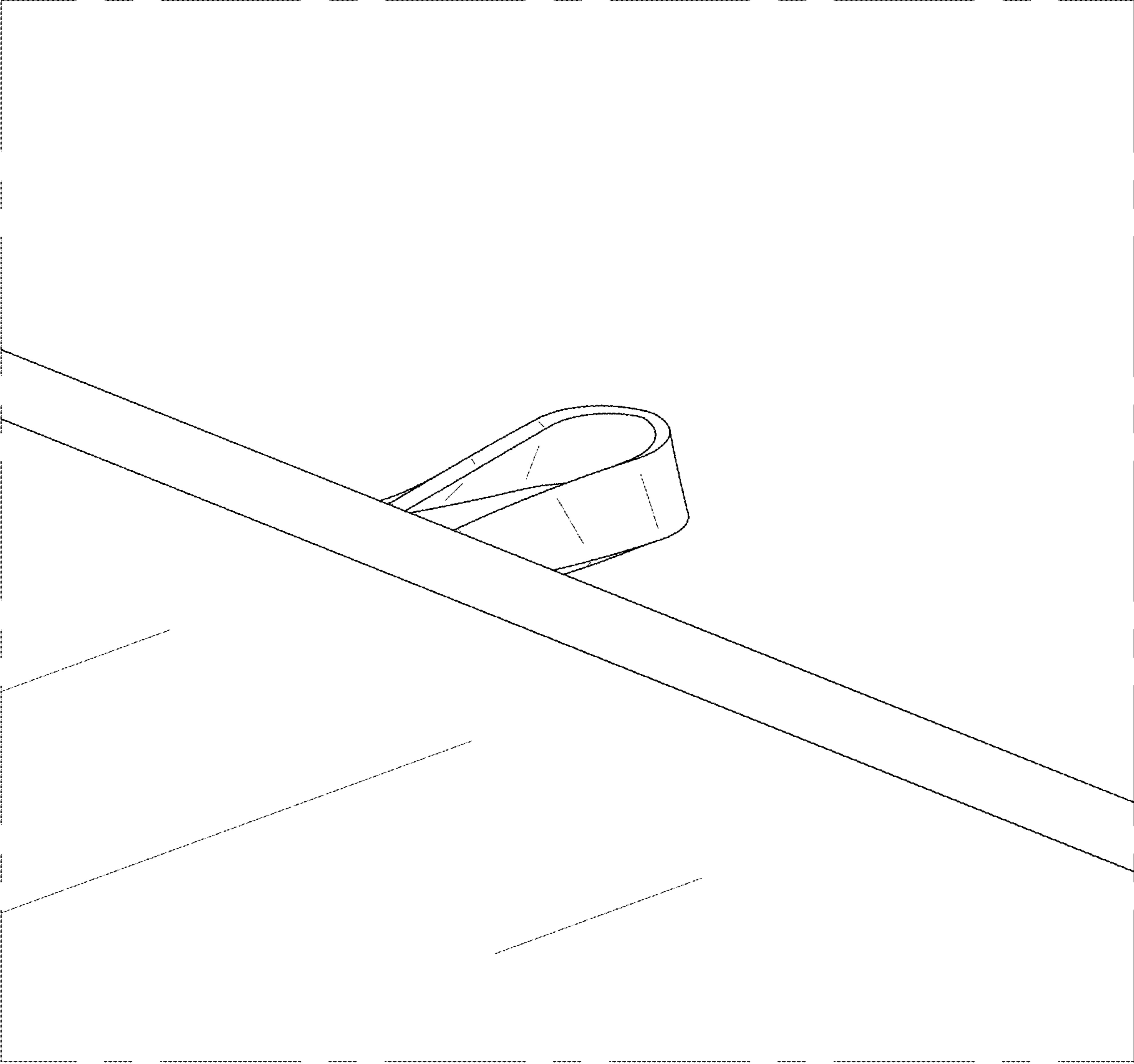


FIG. 10