

US00D884388S

(12) **United States Design Patent** (10) **Patent No.:** **US D884,388 S**  
**Jung** (45) **Date of Patent:** **\*\* May 19, 2020**

(54) **CUSHION**  
(71) Applicant: **AIN L&D CO., LTD.**, Gyeonggi-Do (KR)  
(72) Inventor: **Kum Sook Jung**, Seoul (KR)  
(73) Assignee: **AIN L&D CO., LTD.**, Seongnam-si (KR)  
(\*\*) Term: **15 Years**  
(21) Appl. No.: **35/506,223**  
(22) Filed: **Jun. 12, 2018**

(80) **Hague Agreement Data**  
Int. Filing Date: **Jun. 12, 2018**  
Int. Reg. No.: **DM/102359**  
Int. Reg. Date: **Jun. 12, 2018**  
Int. Reg. Pub. Date: **Dec. 14, 2018**

(30) **Foreign Application Priority Data**  
May 11, 2018 (KR) ..... 30-2018-0022133  
(51) **LOC (12) Cl.** ..... **06-09**  
(52) **U.S. Cl.**  
USPC ..... **D6/601**  
(58) **Field of Classification Search**  
USPC ..... D6/595-601, 604; D24/183; D21/801, D21/803, 804  
CPC ..... A47G 9/00; A47G 9/10; A47G 9/1009; A47G 9/1027; A47G 9/1036; A47G 9/1072; A47G 9/1081; A47G 9/109; A47G 2009/1018  
See application file for complete search history.

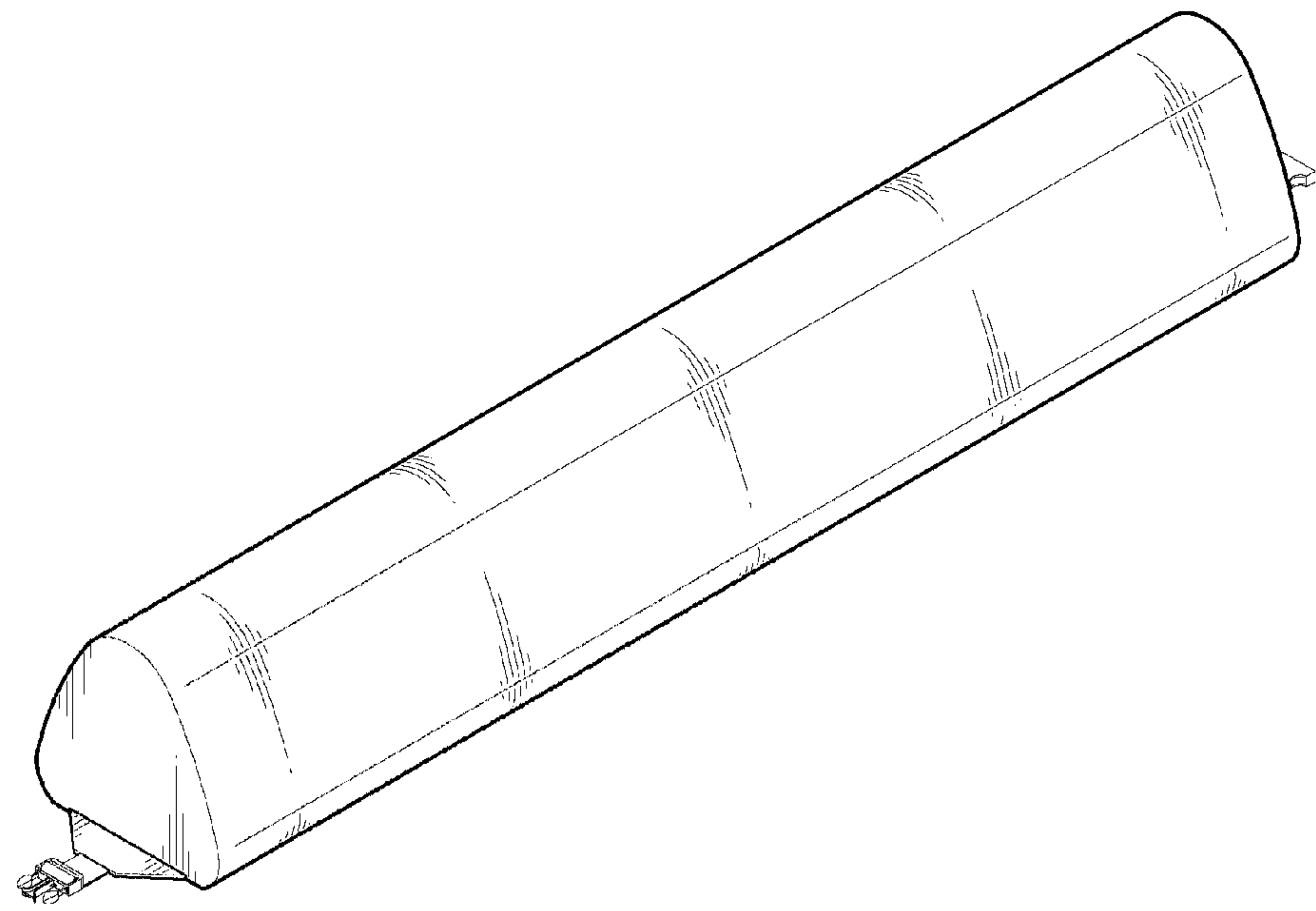
(56) **References Cited**  
U.S. PATENT DOCUMENTS  
D47,140 S \* 3/1915 Newkirk ..... D6/601  
5,367,730 A \* 11/1994 Sher ..... A47D 13/08  
5/632  
D406,486 S \* 3/1999 Ogilvie ..... D6/596  
D447,376 S \* 9/2001 Kramer ..... 5/922  
D552,398 S \* 10/2007 Lakomy ..... D6/601  
D627,074 S \* 11/2010 Ray ..... A47G 9/1009  
D24/192  
8,316,489 B1 \* 11/2012 Leal ..... A47G 9/1009  
5/640  
D770,808 S \* 11/2016 Sheehan ..... A47D 13/08  
D6/601  
D851,425 S \* 6/2019 Clute ..... D6/601  
2014/0359944 A1 \* 12/2014 Thompson ..... A61G 13/122  
5/636

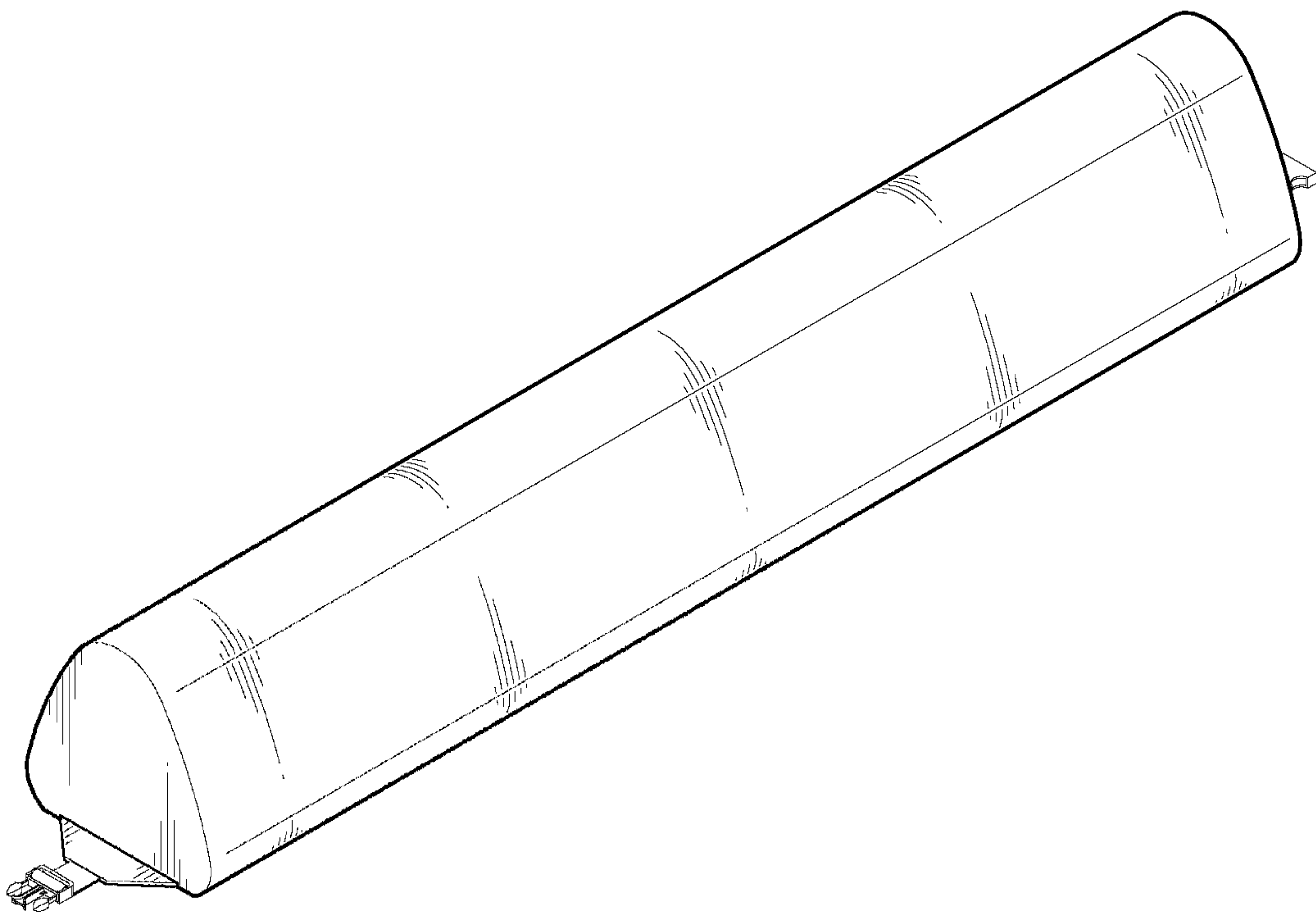
\* cited by examiner  
*Primary Examiner* — Mary Ann Calabrese  
(74) *Attorney, Agent, or Firm* — Novick, Kim & Lee, PLLC; Sang Ho Lee; Hyun Woo Shin

(57) **CLAIM**  
The ornamental design for cushion, as shown and described.

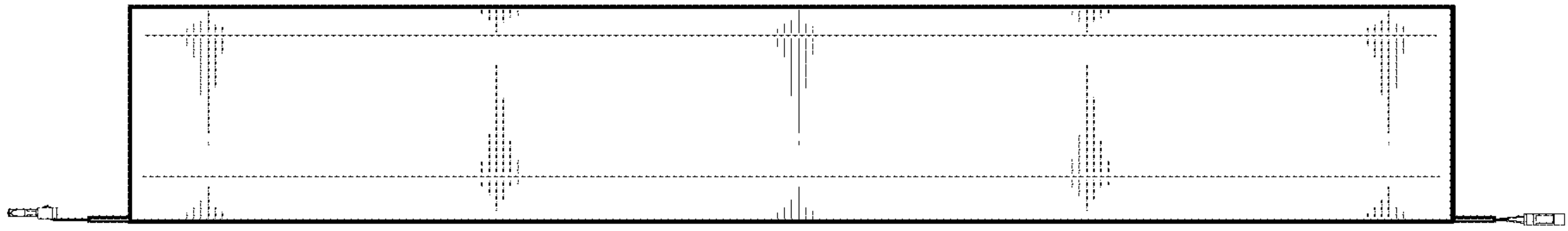
**DESCRIPTION**  
1. Cushion  
1.1: Perspective  
1.2: Front  
1.3: Back  
1.4: Left  
1.5: Right  
1.6: Top  
1.7: Bottom  
1.8: Reference  
The broken lines in the drawings show environmental structure only which form no part of the claimed design.

**1 Claim, 4 Drawing Sheets**

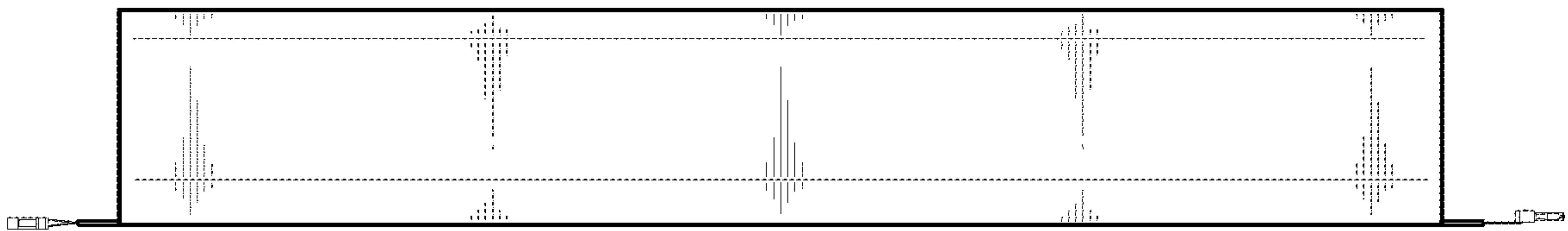




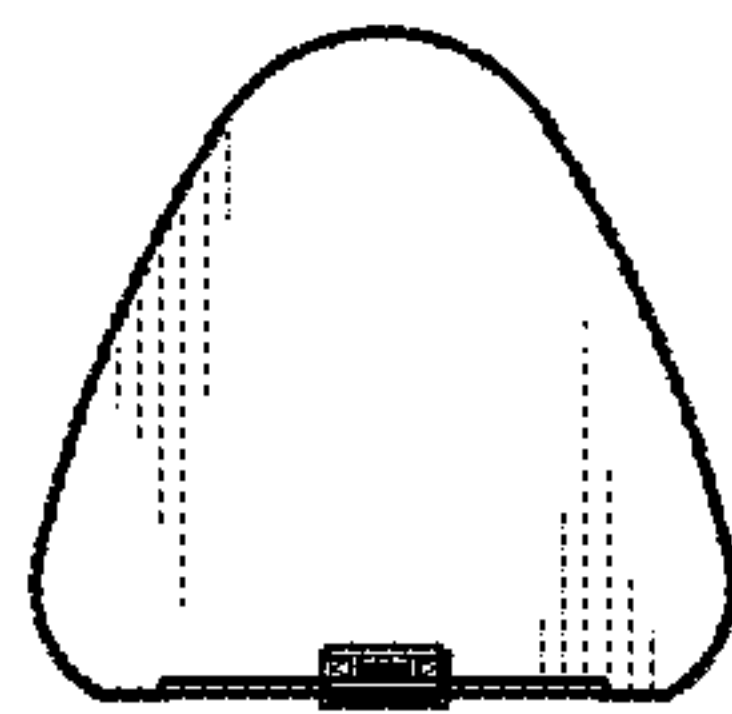
1.1



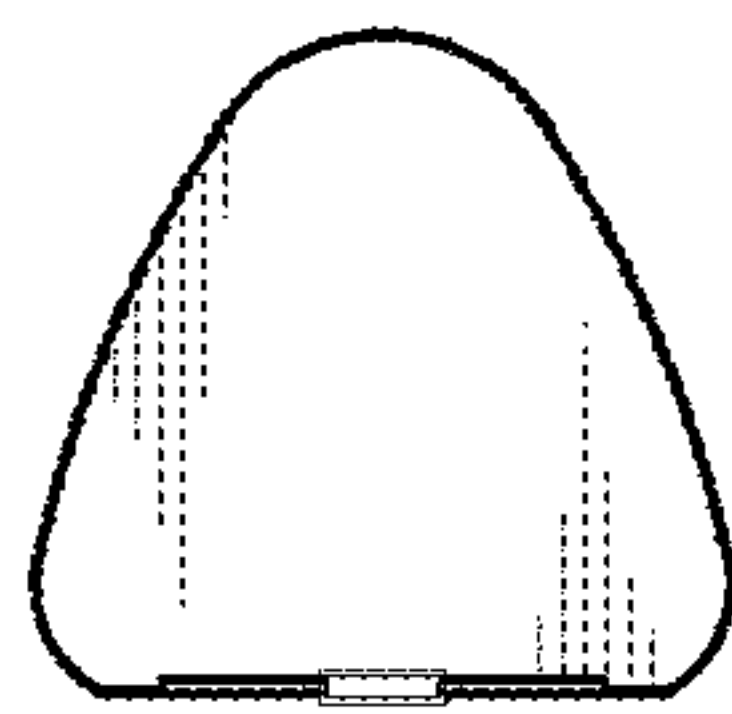
1.2



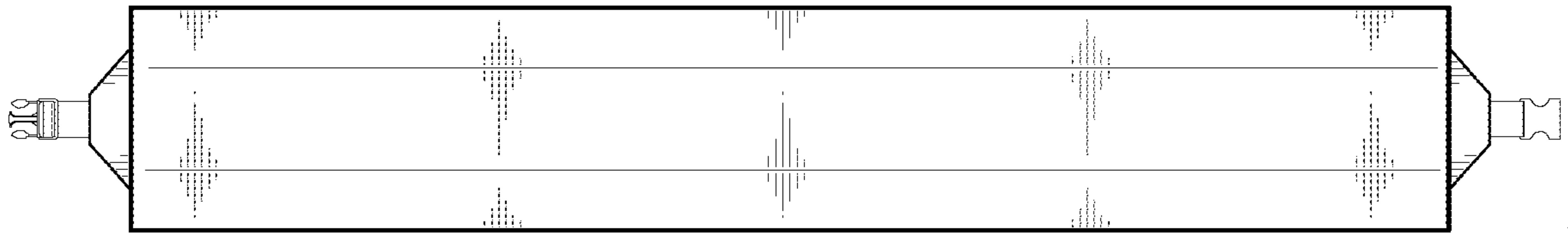
1.3



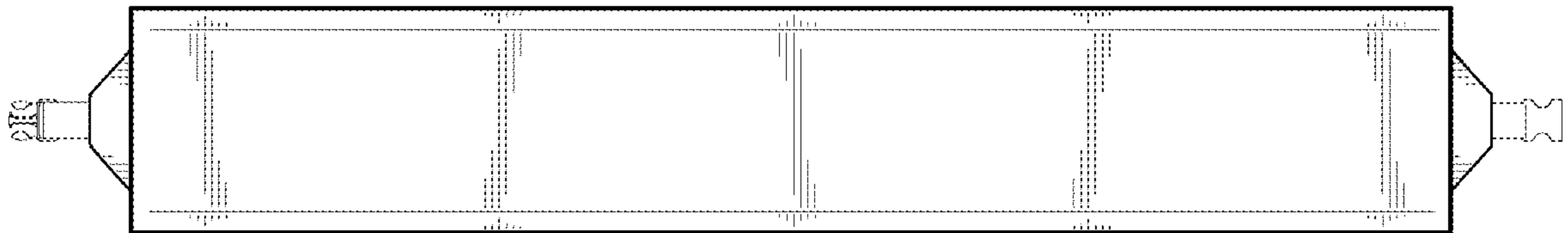
1.4



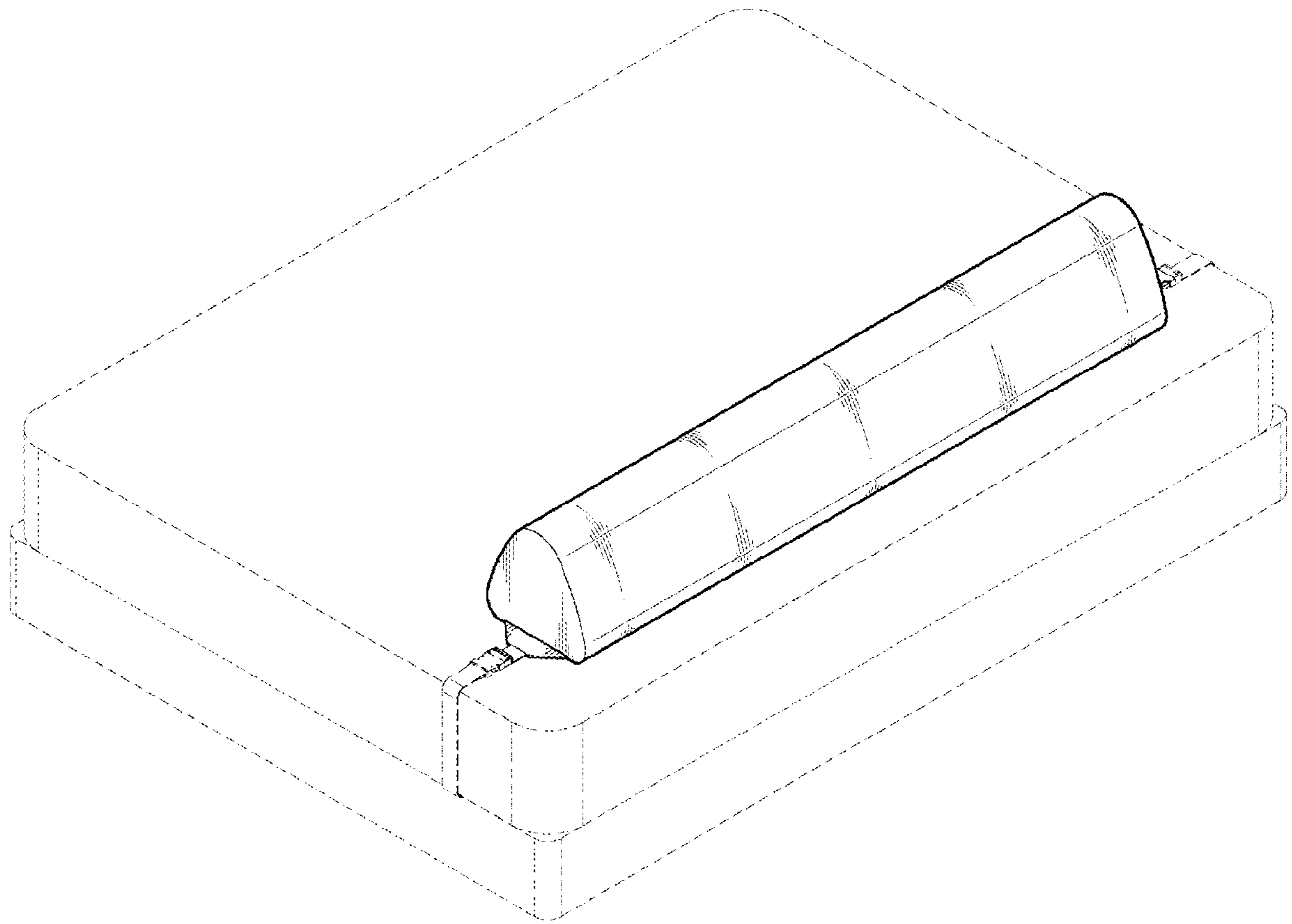
1.5



1.6



1.7



1.8