



US00D884387S

(12) **United States Design Patent**
Timmins

(10) **Patent No.:** **US D884,387 S**

(45) **Date of Patent:** **** May 19, 2020**

(54) **ARMREST**

(71) Applicant: **SOURCE BUILDING PRODUCTS**
USA INC., Stockton, CA (US)

(72) Inventor: **Timothy M. Timmins, Stockton, CA**
(US)

(73) Assignee: **SOURCE BUILDING PRODUCTS**
USA INC., Stockton, CA (US)

(**) Term: **15 Years**

(21) Appl. No.: **29/680,905**

(22) Filed: **Feb. 21, 2019**

(51) **LOC (12) Cl.** **06-09**

(52) **U.S. Cl.**
USPC **D6/601**

(58) **Field of Classification Search**
USPC D6/595–597, 601, 604–606; D25/121
CPC A47C 27/00; A47C 27/08; A47C 27/12;
A47C 27/14; A47C 7/18; A47C 7/185;
A47C 7/20; A47C 23/00; A47C 27/001;
A47C 27/05; A47C 27/053; A47C
27/056; A47C 27/06; A47C 27/142; A47C
21/00; A47C 21/026; A47G 9/00; A47G
9/06; A47G 9/08; A47G 9/086; A47G
9/1009; A47G 9/10; A47G 9/1027; A47G
9/1054; A47G 9/1063; A47G 9/1072;
A47G 9/1045; A47G 9/1081; A47G
9/109; A47G 2009/1018; A47G 2009/003
See application file for complete search history.

(56) **References Cited**

U.S. PATENT DOCUMENTS

D306,491 S * 3/1990 Hallengren D25/124
5,788,224 A * 8/1998 Platt E04H 17/1421
256/66

D509,599 S * 9/2005 MacDonald D25/121
D518,184 S * 3/2006 Fitts D25/38.1
D552,760 S * 10/2007 Seiling D25/122
D560,823 S * 1/2008 Holland D25/122
7,568,680 B2 * 8/2009 Platt E04H 17/1421
256/65.02
D661,813 S * 6/2012 Walker D25/38.1
D758,098 S * 6/2016 Pham D6/601
D758,099 S * 6/2016 Pham D6/601
D852,379 S * 6/2019 Springborn D25/38.1
D852,380 S * 6/2019 Springborn D25/38.1
D873,438 S * 1/2020 Springborn D25/38.1

* cited by examiner

Primary Examiner — R. Johnson

(74) *Attorney, Agent, or Firm* — Burriss Law, PLLC

(57) **CLAIM**

The ornamental design for an armrest, as shown and described.

DESCRIPTION

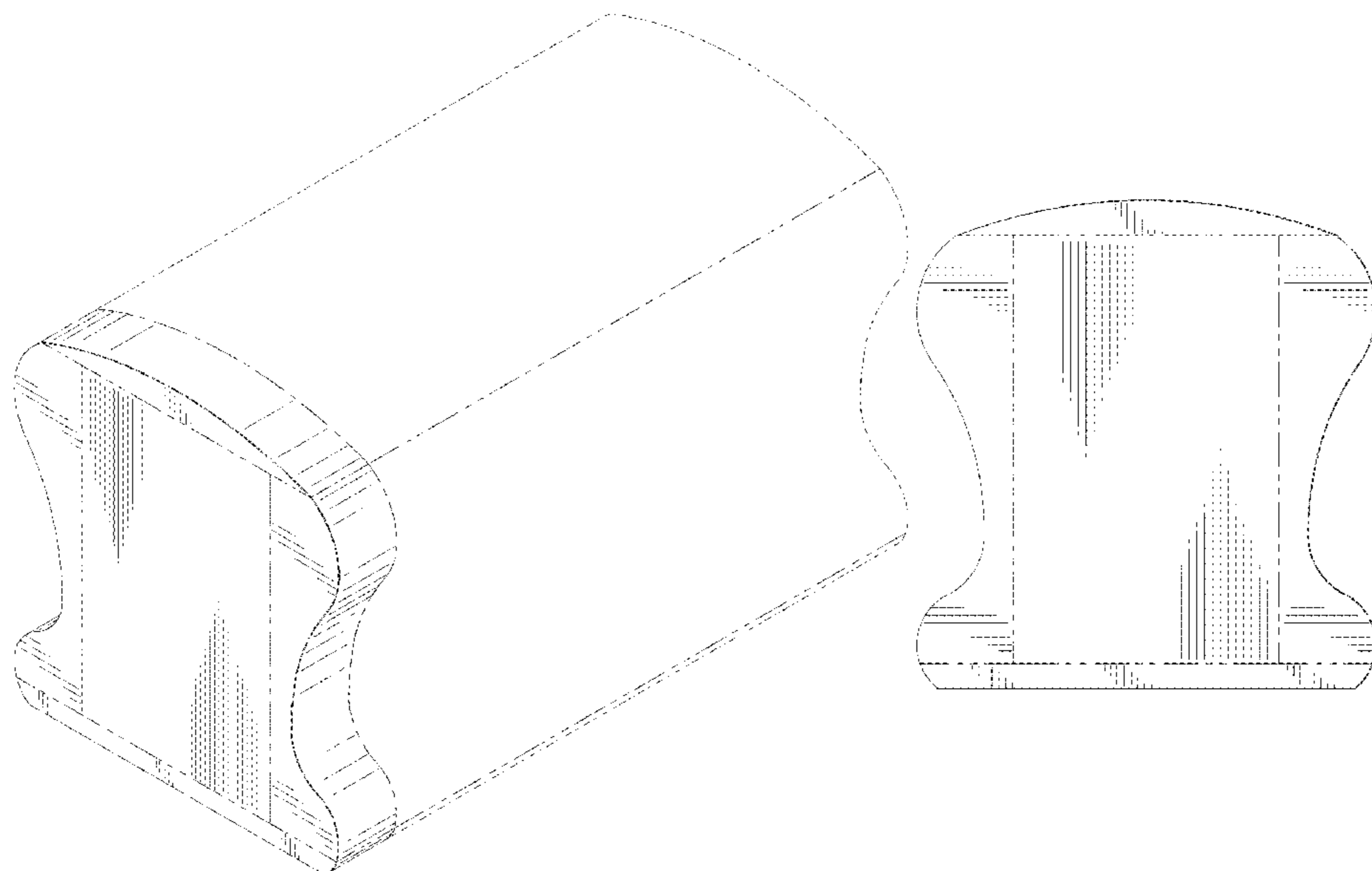
FIG. 1 is a perspective view of an armrest showing my new design;
FIG. 2 is a front elevational view thereof;
FIG. 3 is a rear elevational view thereof;
FIG. 4 is a left side elevational view thereof;
FIG. 5 is a right side elevational view thereof;
FIG. 6 is a top plan view thereof; and,
FIG. 7 is a bottom plan view thereof.

The evenly dashed broken lines depict portions of an armrest in which the design is embodied that form no part of the claimed design.

The dot-dashed broken lines are for defining the bounds of the claimed design only and form no part of the claimed design.

The dot-dot-dashed broken lines are junctions between fragments of the armrest that form no part of the claimed design.

1 Claim, 7 Drawing Sheets



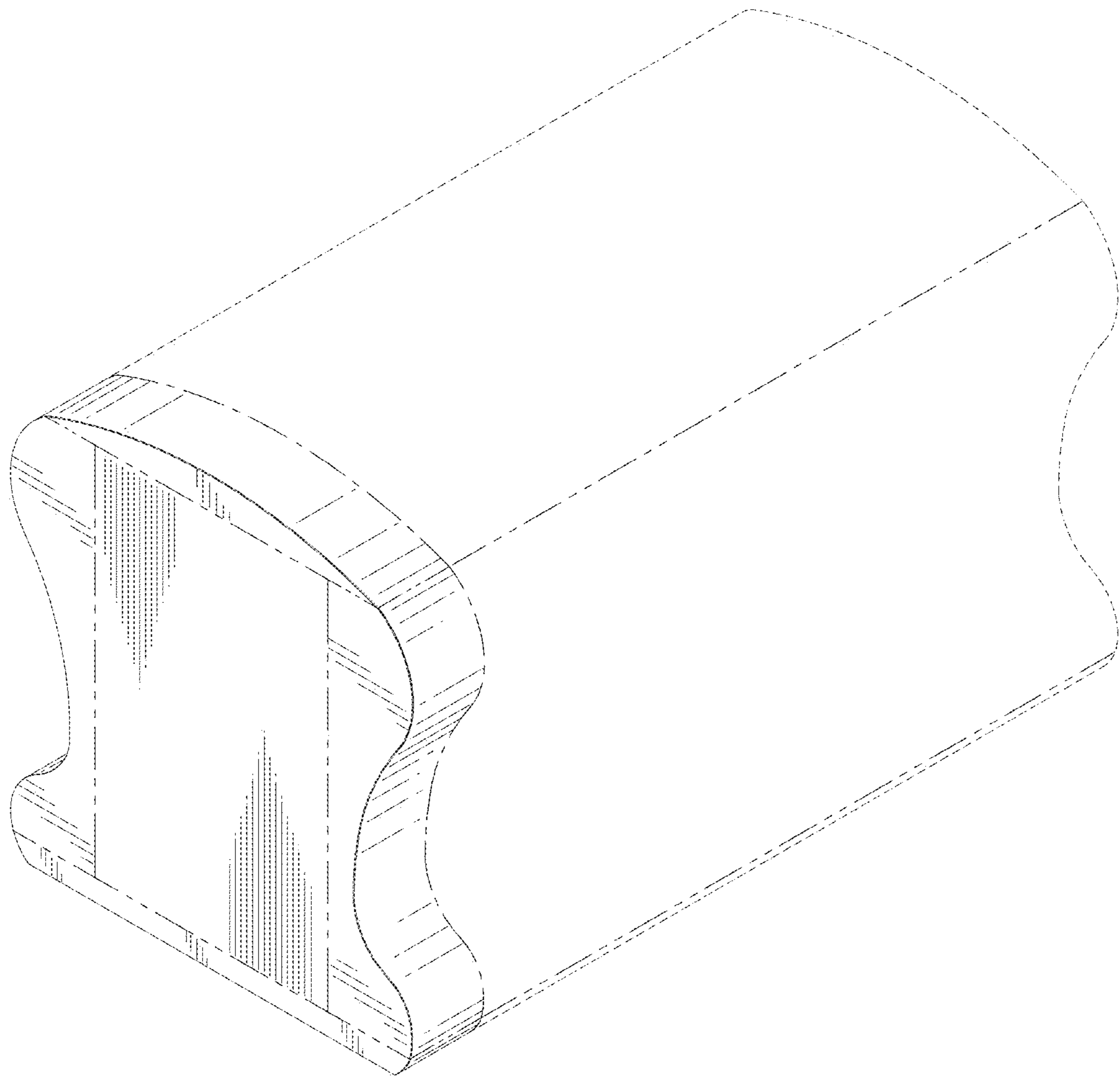


FIG. 1

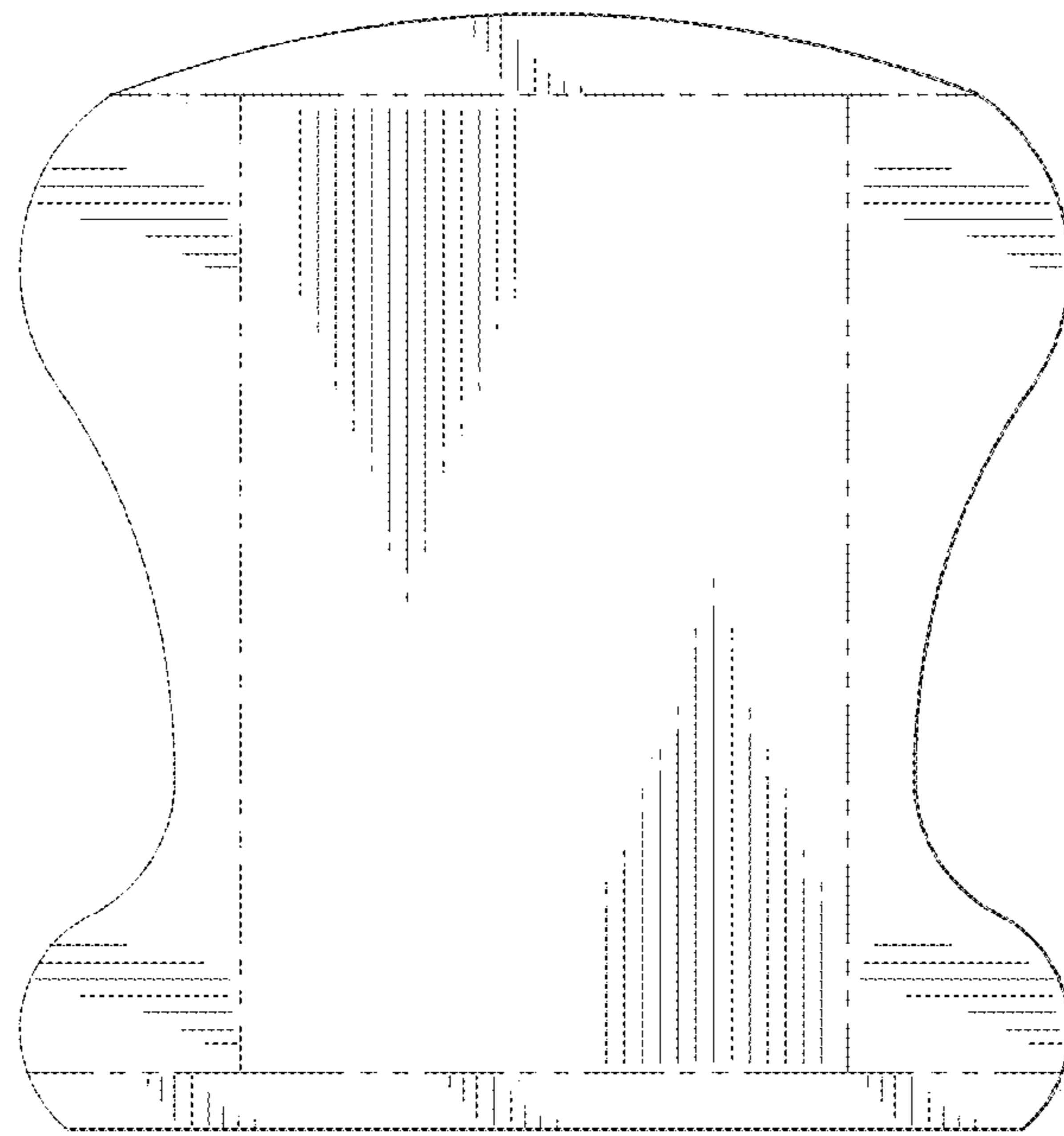


FIG. 2

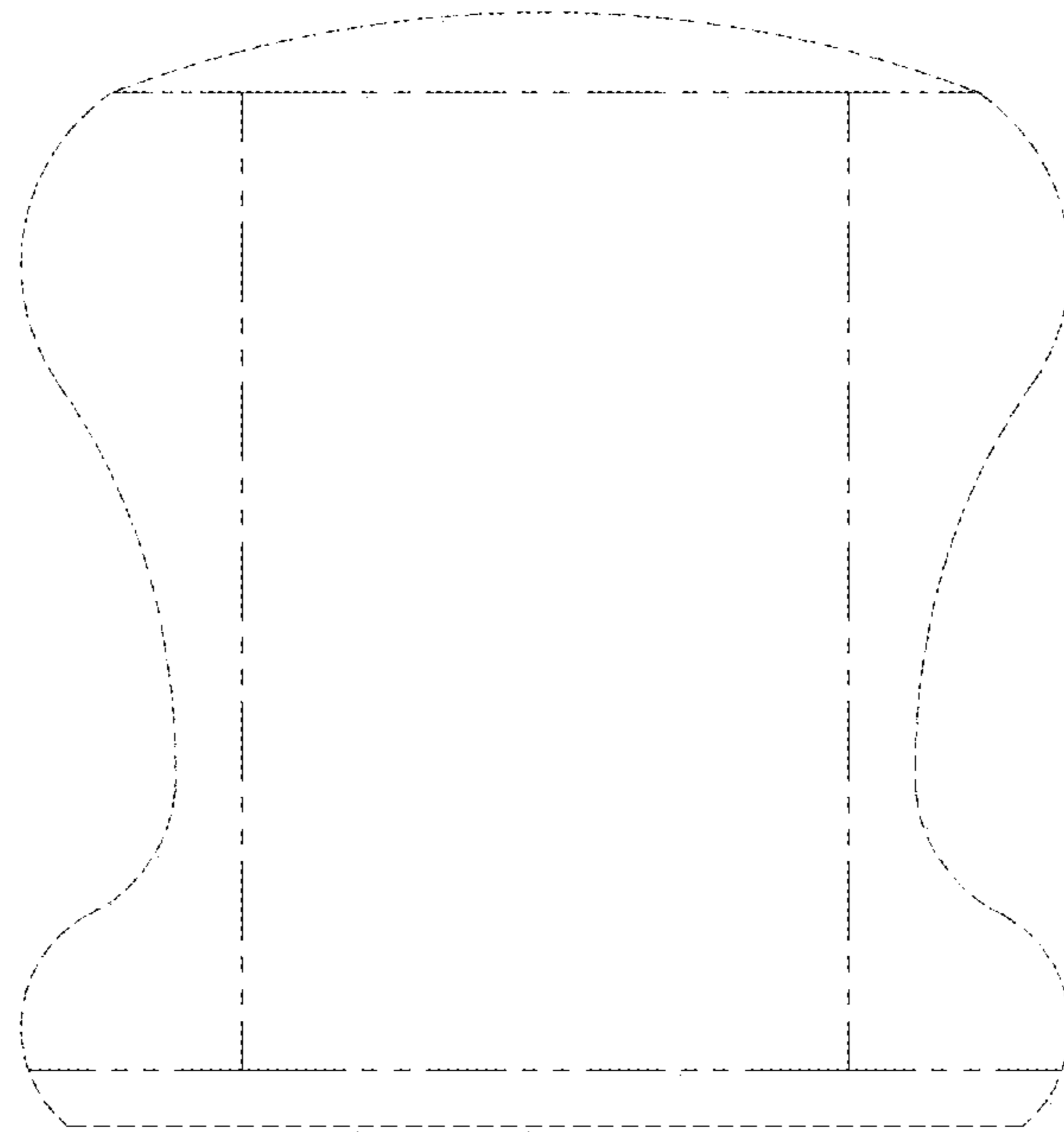


FIG. 3



FIG. 4



FIG. 5

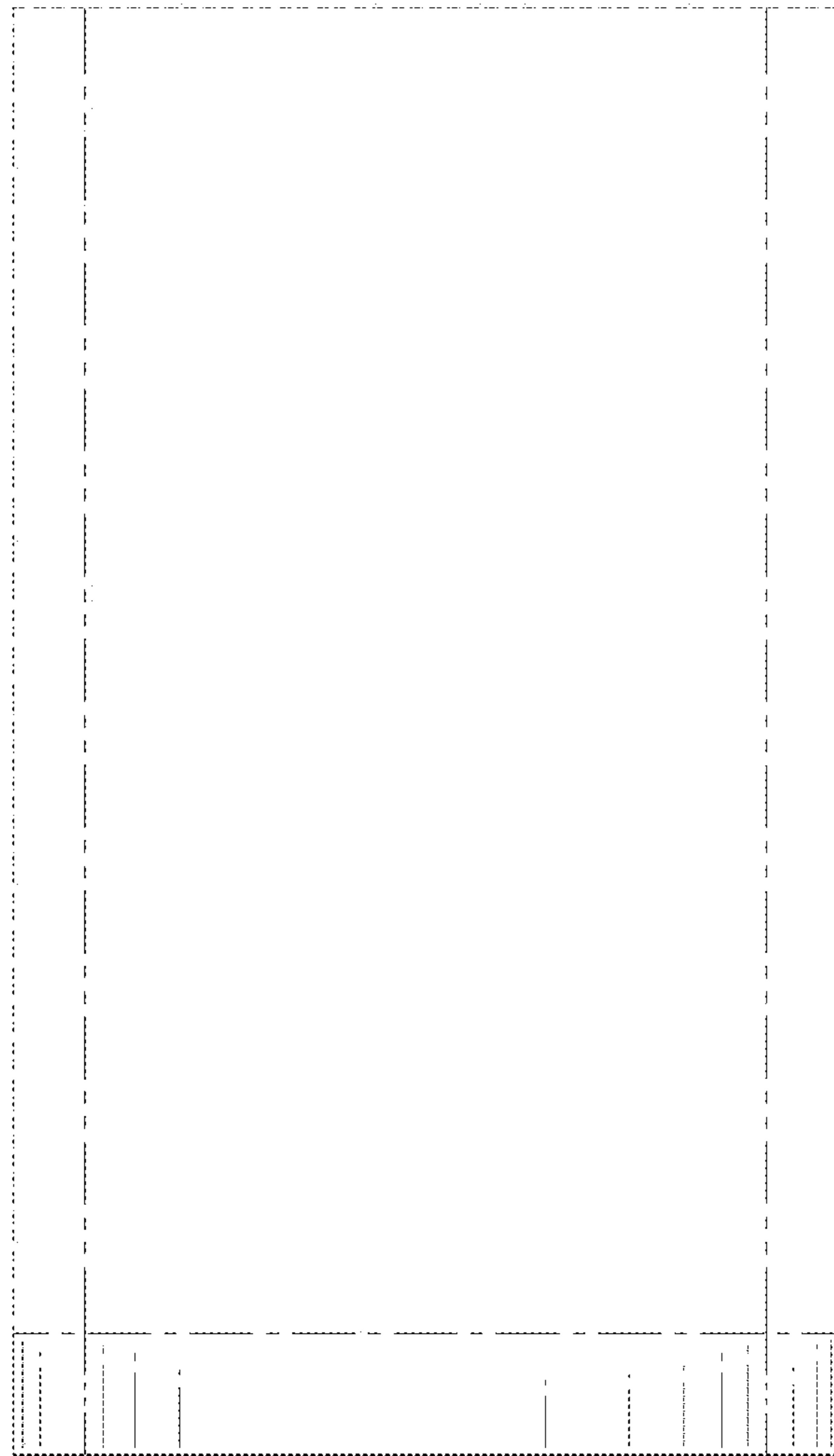


FIG. 6

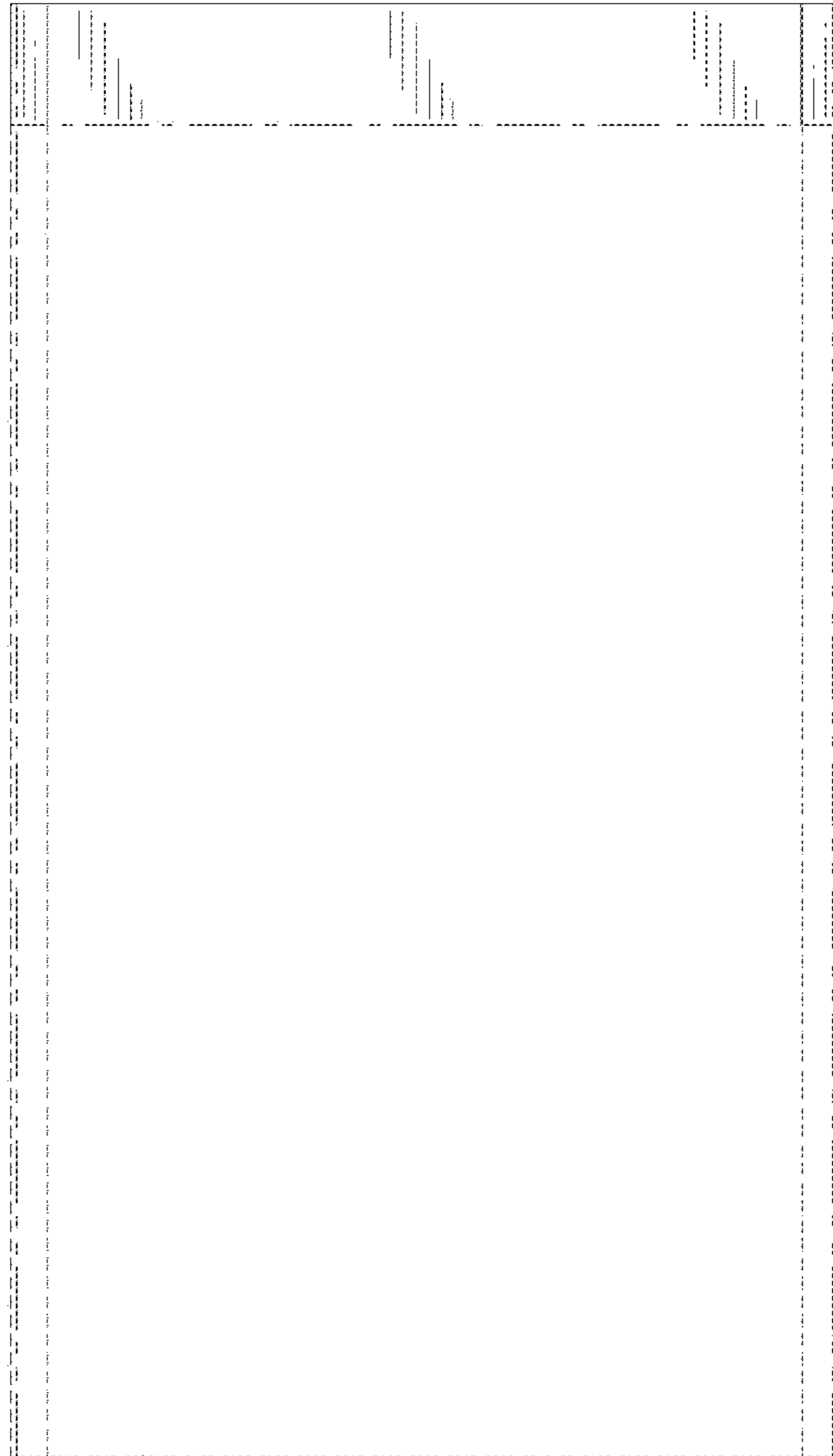


FIG. 7