



US00D884384S

(12) **United States Design Patent**
Holloway

(10) **Patent No.:** **US D884,384 S**

(45) **Date of Patent:** **** May 19, 2020**

(54) **HOLDER FOR A ROLL OF TOILET PAPER**

D478,440 S * 8/2003 Hoernig D6/523
D520,279 S * 5/2006 Ferrer Beltran D6/523
D589,733 S * 4/2009 Felmeri D6/523

(71) Applicant: **Graham Holloway**, Santa Maria, CA
(US)

* cited by examiner

(72) Inventor: **Graham Holloway**, Santa Maria, CA
(US)

Primary Examiner — Wan Laymon

Assistant Examiner — Mark Booker

(**) Term: **15 Years**

(74) *Attorney, Agent, or Firm* — Ted Masters

(21) Appl. No.: **29/677,293**

(57) **CLAIM**

The ornamental design for a holder for a roll of toilet paper,
as shown and described.

(22) Filed: **Jan. 18, 2019**

(51) **LOC (12) Cl.** **23-02**

(52) **U.S. Cl.**

USPC **D6/523**

(58) **Field of Classification Search**

USPC D6/523, 518–519, 522; D8/300, 303,
D8/315–321; 211/13.1, 16, 60.1, 86.01,
211/87.01, 88.01, 88.04, 100,
211/105.1–105.2, 123, 181.1, 182;
248/175, 176.1, 251, 302; 242/570, 590,
242/595–598

CPC A47K 10/38; A47K 2010/3253; A47K
10/3836; A47K 2010/389; A47K 10/32;
A47K 10/04; A47K 10/3809; A47K
10/405; A47K 10/22; A47K 10/3827;
A47K 10/3818; A47K 10/10; A47K 10/42

See application file for complete search history.

DESCRIPTION

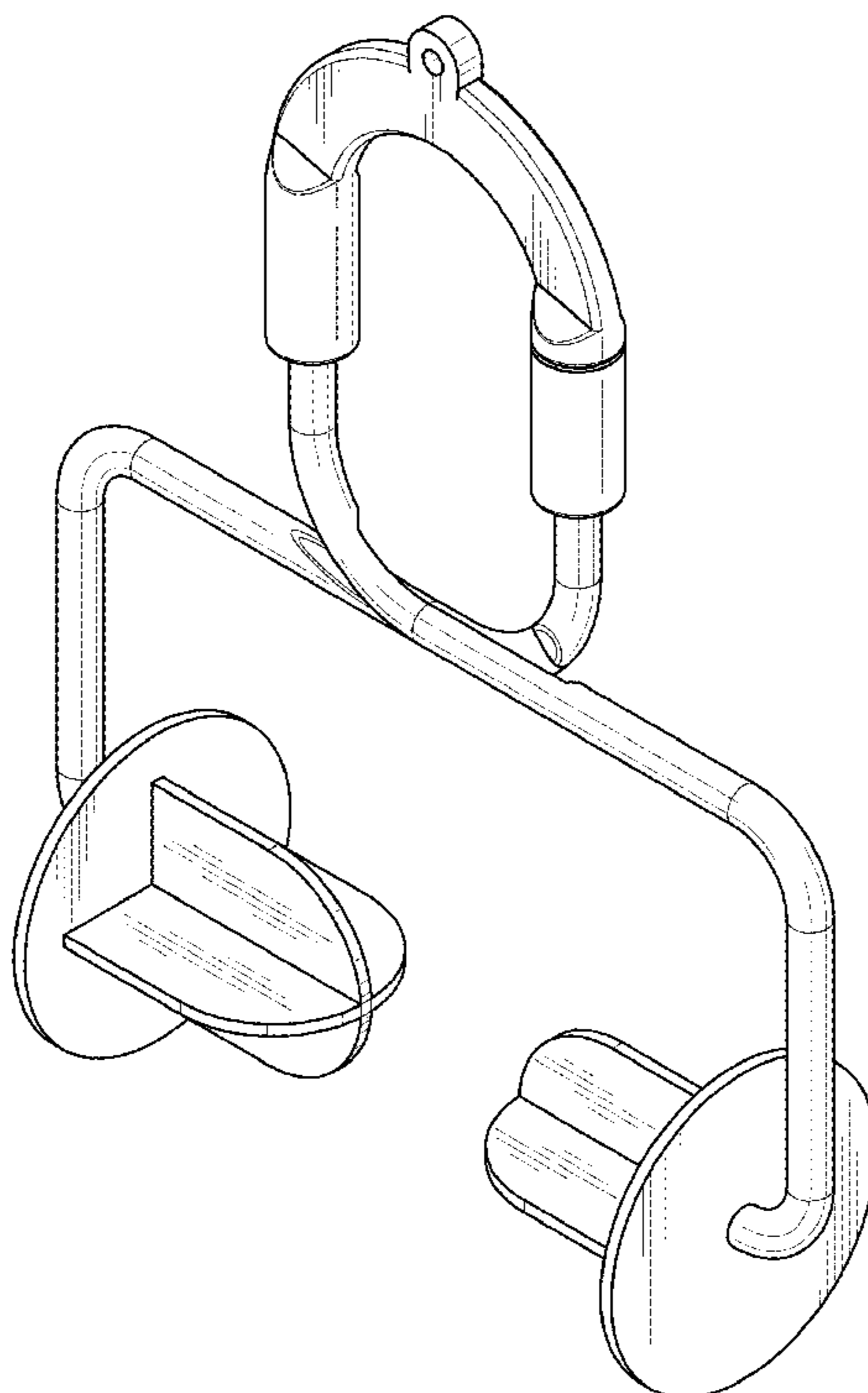
FIG. 1 is a perspective view of the holder for a roll of toilet paper;
FIG. 2 is front elevation view of the holder for a roll of toilet paper;
FIG. 3 is a rear elevation view of the holder for a roll of toilet paper;
FIG. 4 is a side elevation view of the holder for a roll of toilet paper;
FIG. 5 is an opposite side elevation view of the holder for a roll of toilet paper;
FIG. 6 is a top plan view of the holder for a roll of toilet paper;
FIG. 7 is a bottom plan view of the holder for a roll of toilet paper; and,
FIG. 8 is perspective view of the holder for a roll of toilet paper holding a roll of toilet paper.
In FIG. 8 the roll of toilet paper is shown in broken lines and forms no part of the claimed invention.

(56) **References Cited**

U.S. PATENT DOCUMENTS

D256,860 S * 9/1980 Ryan D6/523
D314,108 S * 1/1991 Chap D6/523

1 Claim, 7 Drawing Sheets



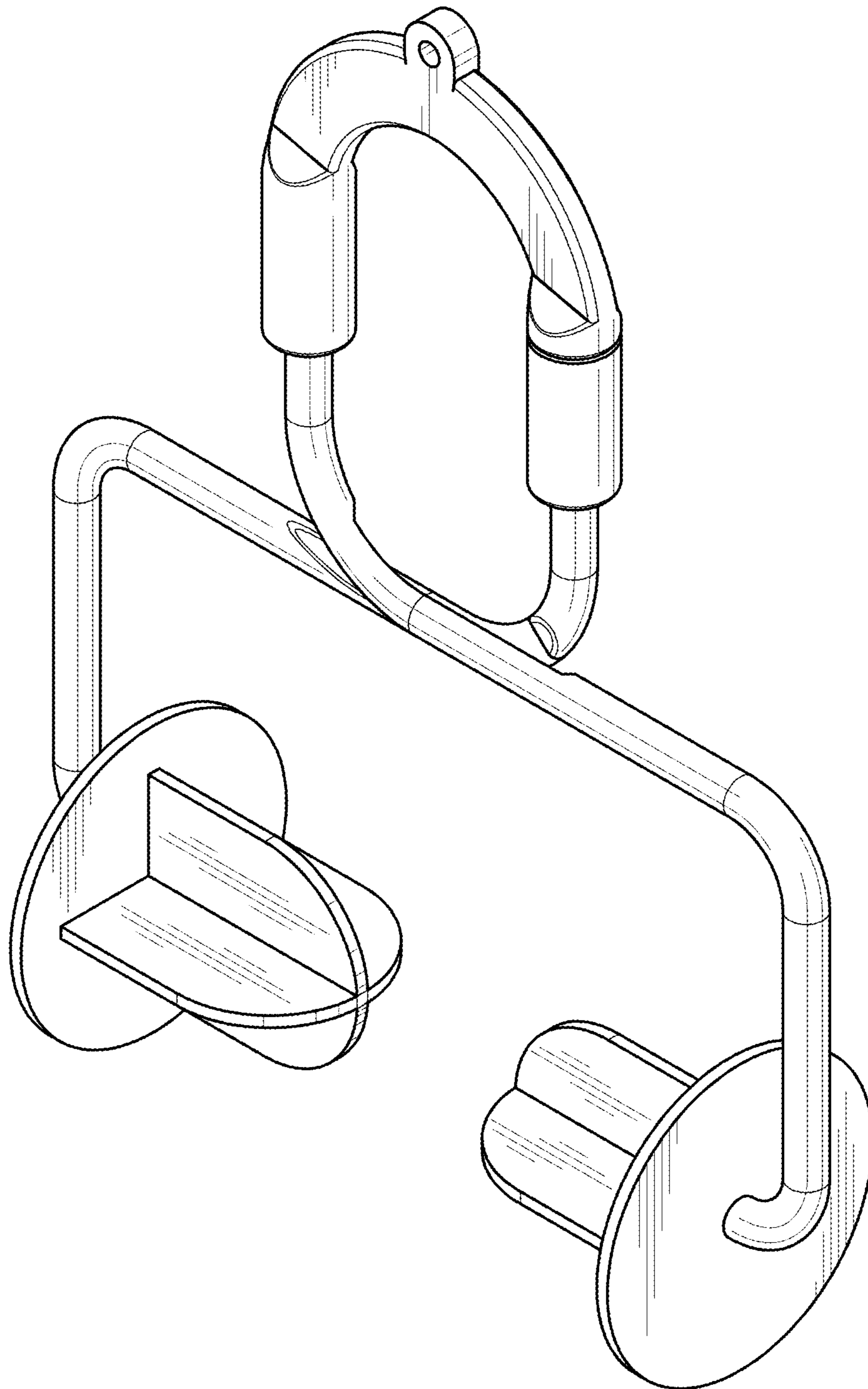


FIG. 1

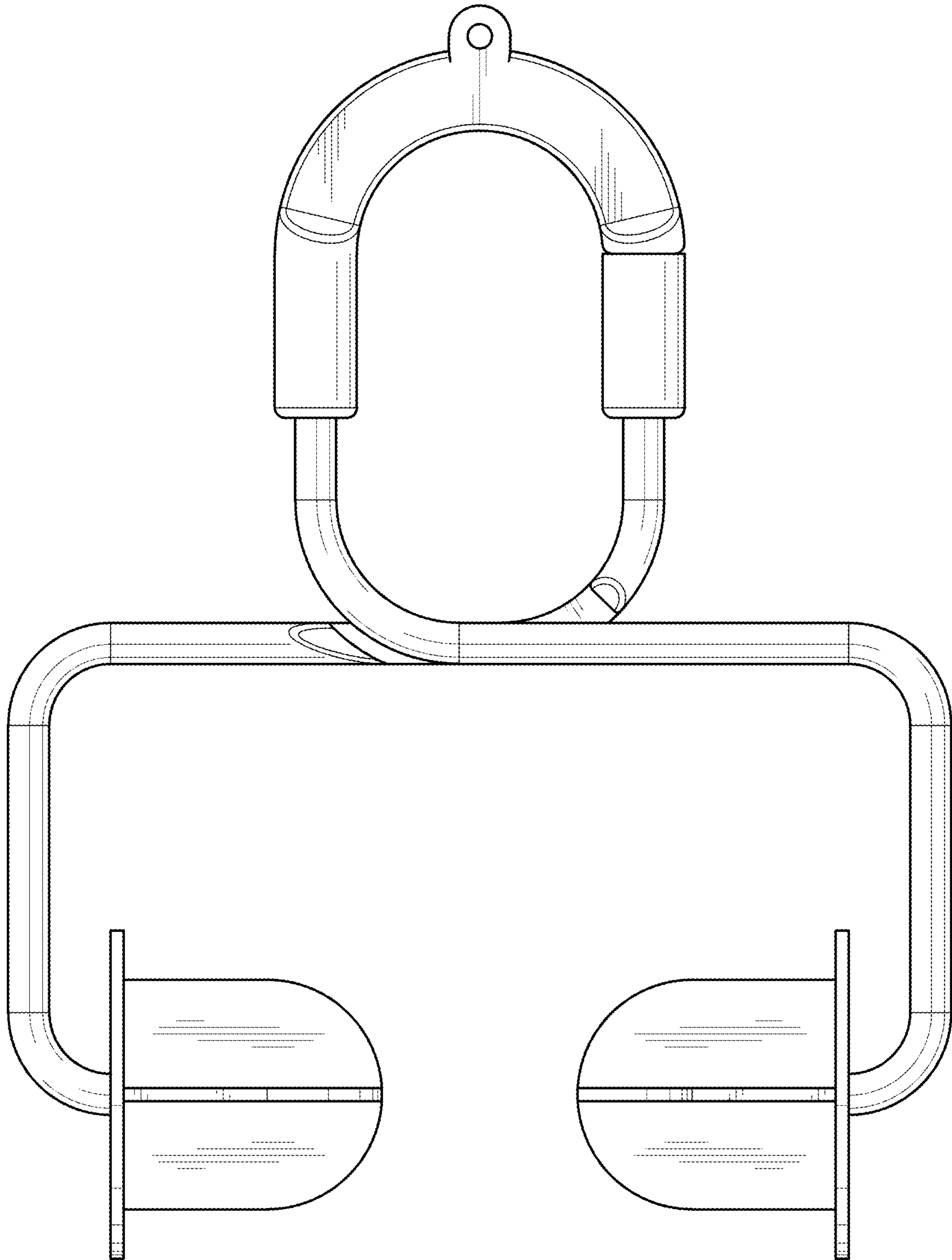


FIG. 2

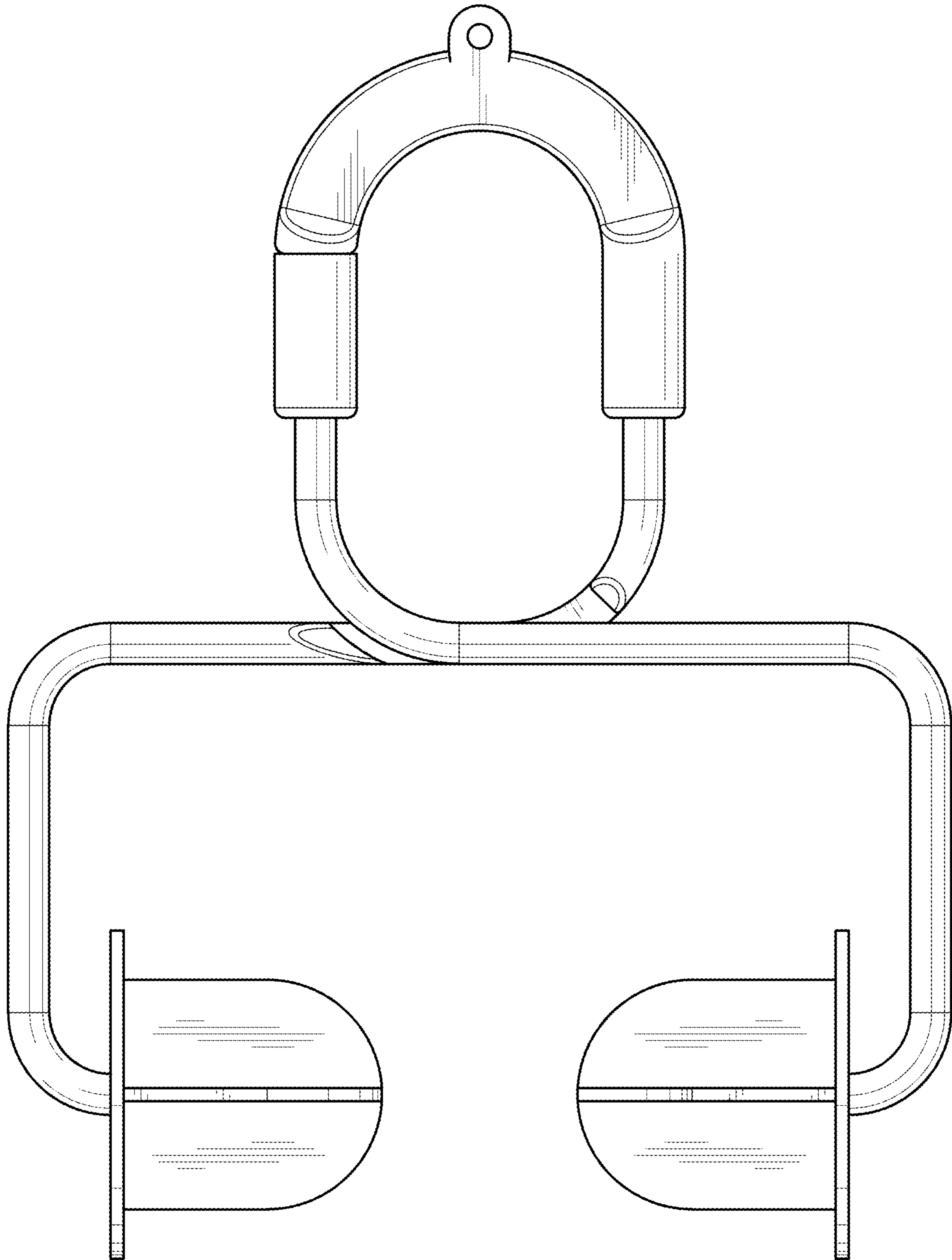


FIG. 3

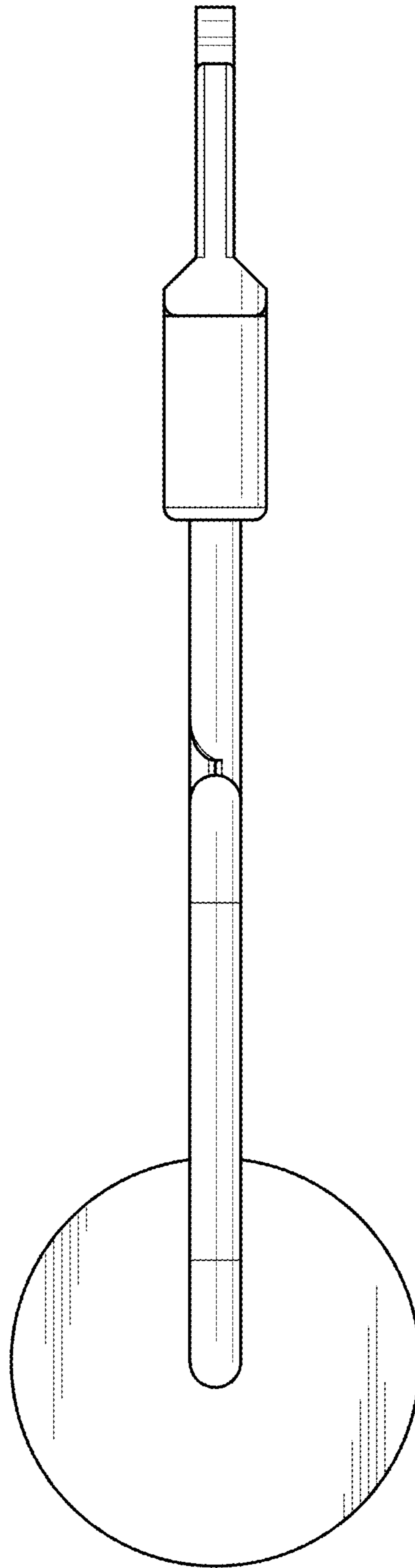


FIG. 4

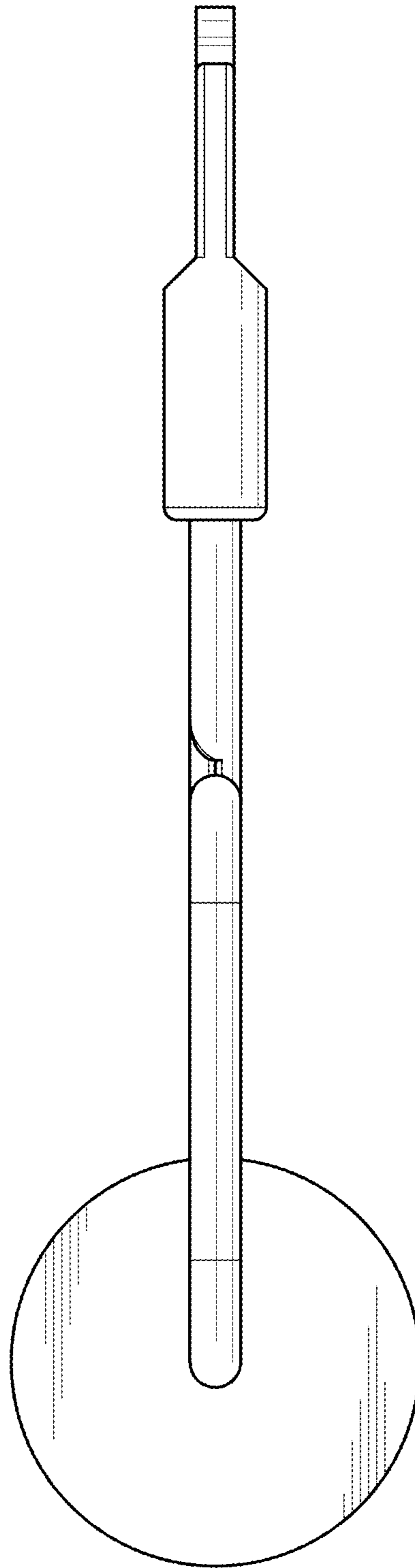


FIG. 5

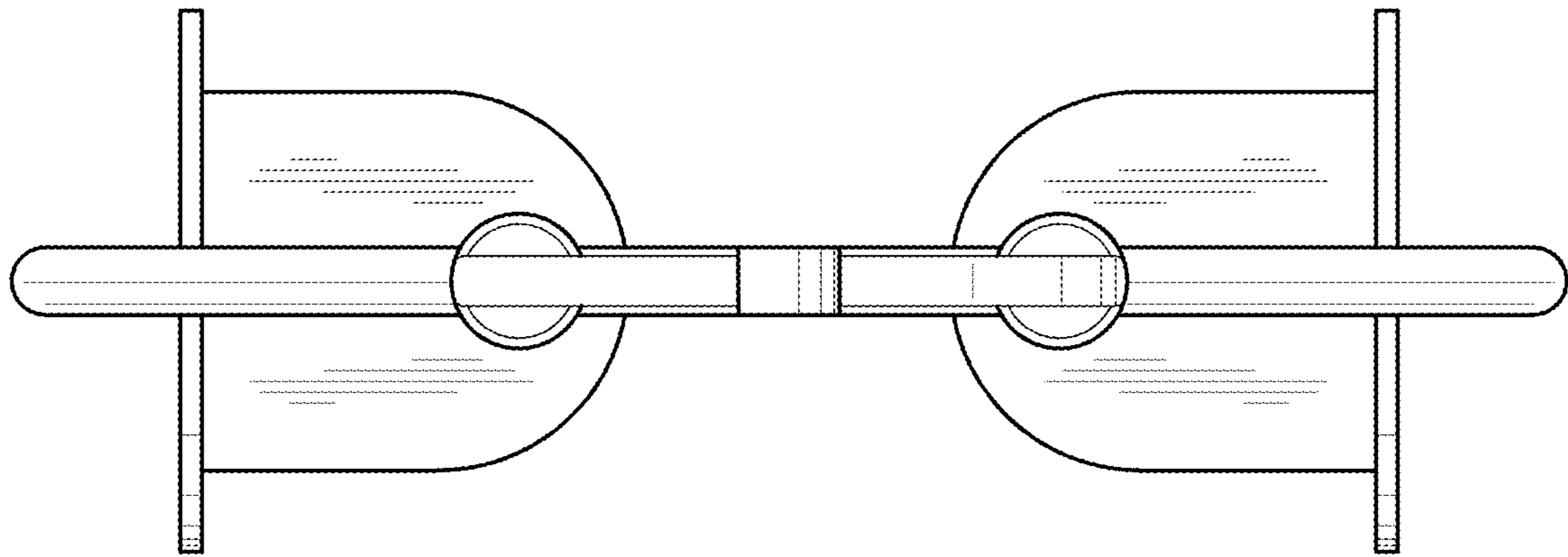


FIG. 6

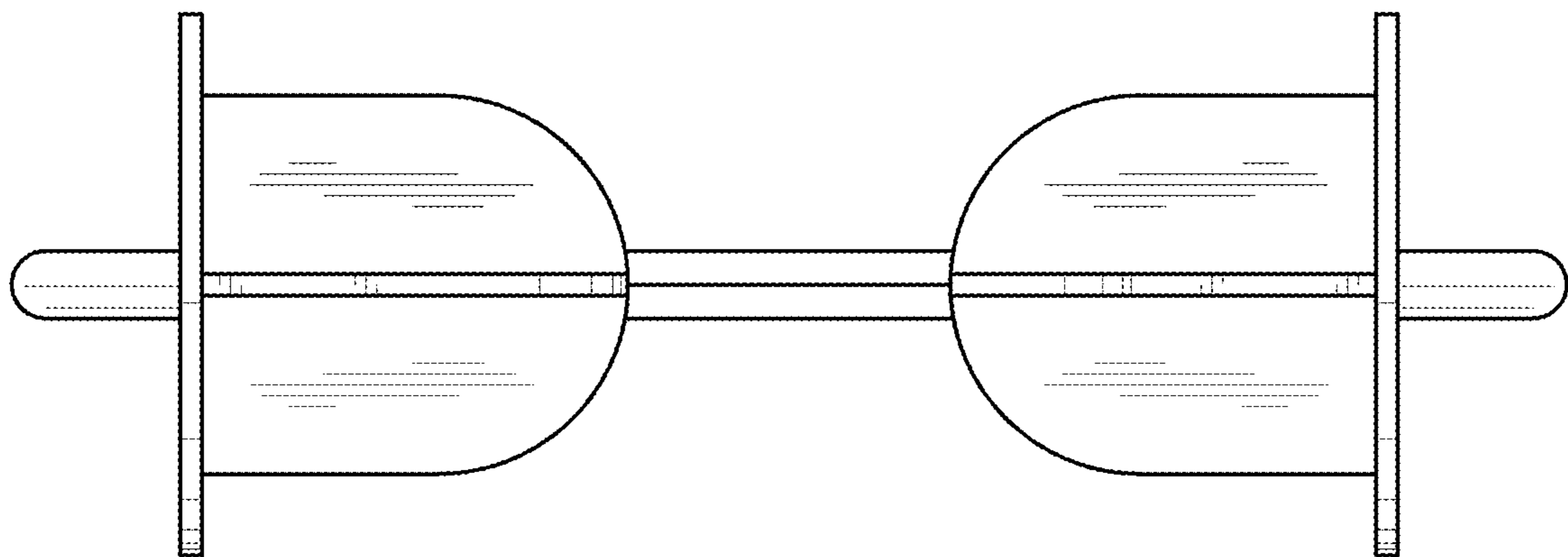


FIG. 7

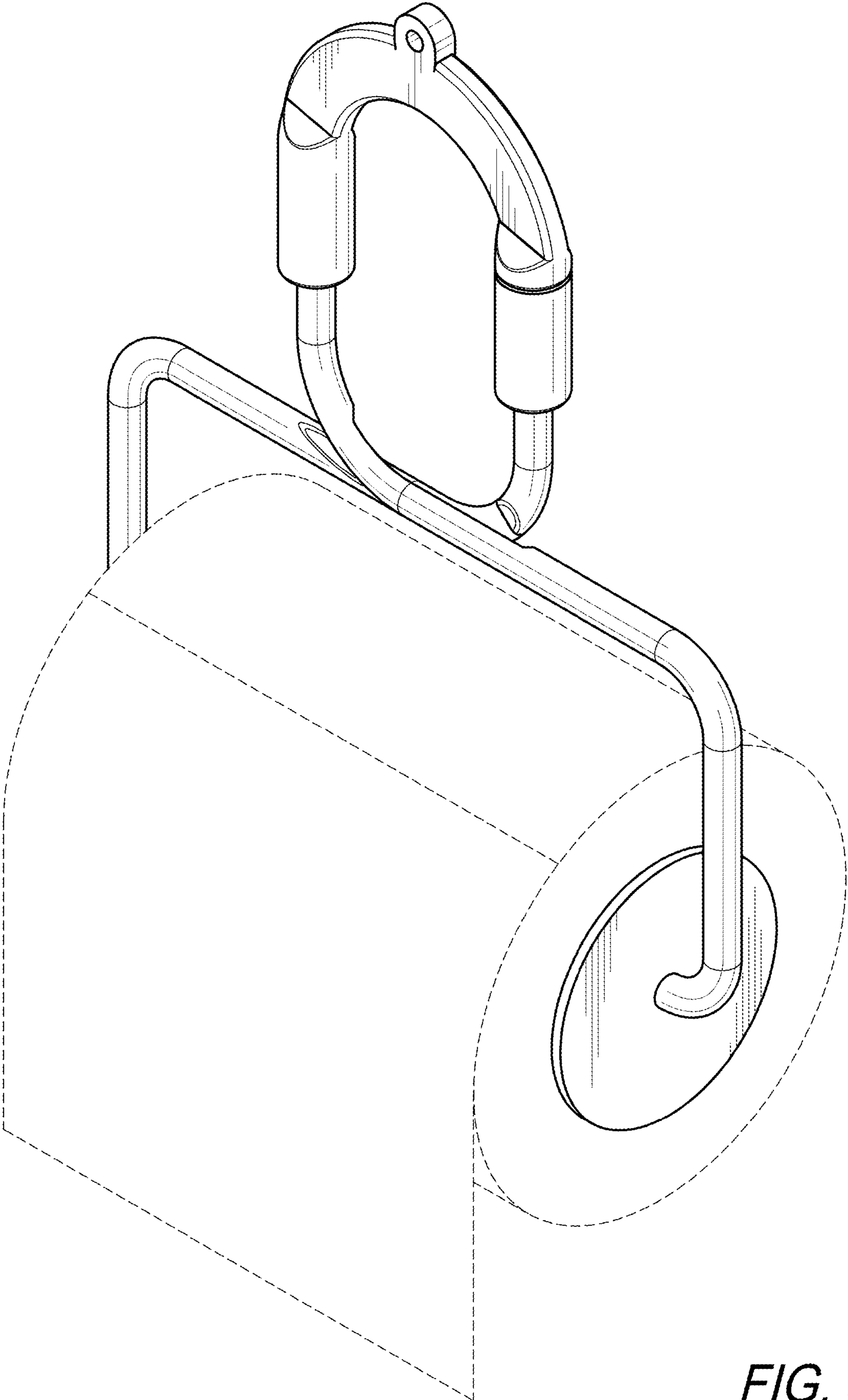


FIG. 8